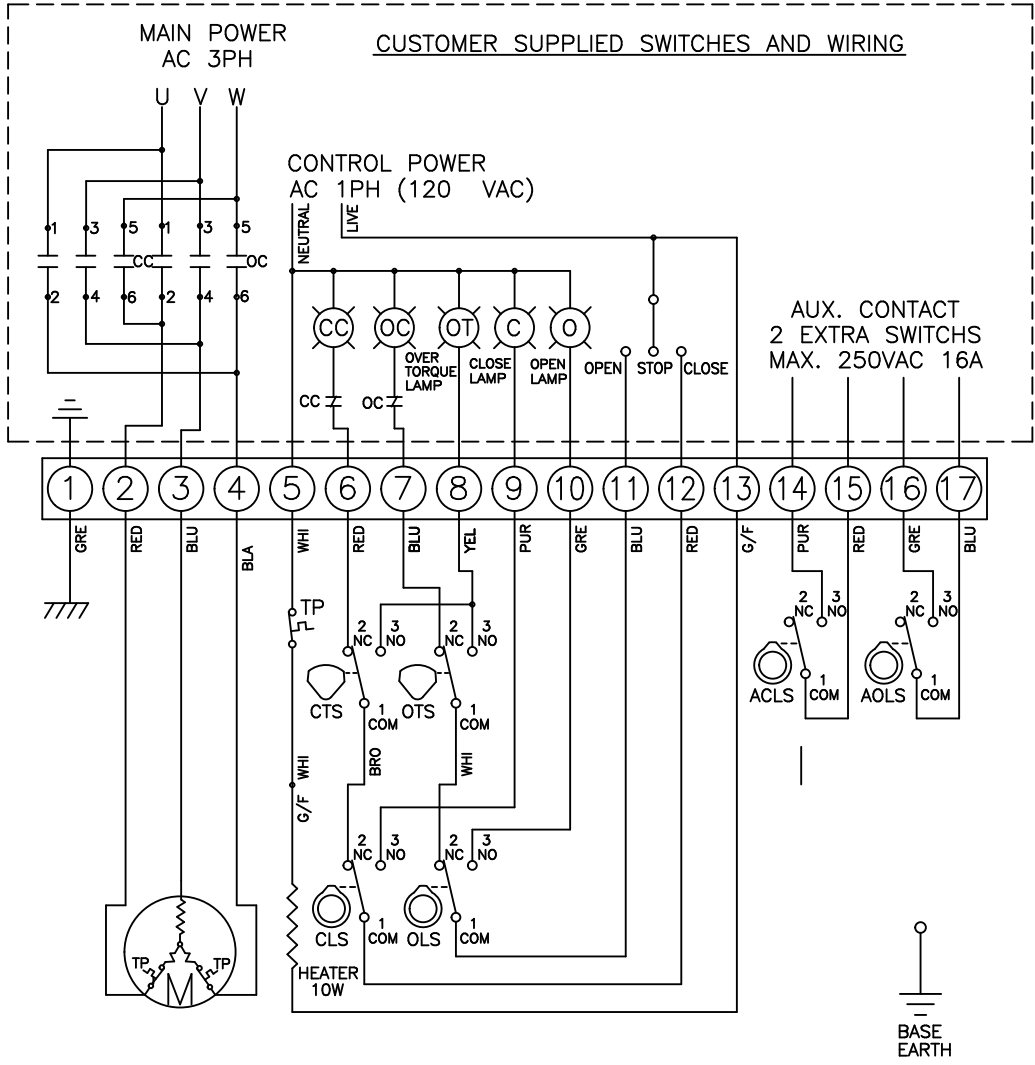


| REV | DATE     | DESCRIPTION              | BY | APP'D |
|-----|----------|--------------------------|----|-------|
| A   | 10/17/11 | FIRST ISSUE              | JH | KB    |
| B   | 10/3/13  | ADJUST AUX SWITCH WIRING | CW | KB    |



| UNLESS OTHERWISE SPECIFIED |               |        |
|----------------------------|---------------|--------|
| DIMENSIONS ARE IN INCHES   |               |        |
| MACHINING TOLERANCES:      | 2 PL DECIMALS | ± .01  |
|                            | 3 PL DECIMALS | ± .005 |
|                            | ANGULAR       | ± 1/2° |
|                            | FRACTIONAL    | ± 1/64 |
| FABRICATION TOLERANCES:    | 1/2" - 8"     | ± 1/4  |
|                            | 10" AND UP    | ± 1/2  |
|                            | ANGULAR       | ± 1.0° |
| MATERIAL:                  |               |        |
| FINISH:                    | 125μ"         |        |

|  |             |          |
|--|-------------|----------|
| THIS DRAWING AND ALL INFORMATION HEREDIN IS THE PROPERTY OF ASAHI/AMERICA. ANY COPYING, REPRODUCTION OR UNAUTHORIZED USE IS FORBIDDEN WITHOUT WRITTEN CONSENT. |             |          |
| NAME   | DATE        |          |
| DR   | J. HUGHES   | 10/17/11 |
| APPD   | K. BLYSTONE | 10/17/11 |
| PROD   |             |          |
| PRODUCT:   |             |          |
| WD#/CD#  |             |          |

**ASAHI/AMERICA**  
ISO 9001 CERTIFIED  
35 GREEN STREET, P.O. BOX 653, MALDEN, MA.

**SERIES 10 THREE PHASE WIRING**

|       |     |          |           |     |      |
|-------|-----|----------|-----------|-----|------|
| SIZE  | A   | DWG. NO. | M00EL5060 | REV | B    |
| SCALE | 1:8 |          | SHEET     | 1   | OF 1 |