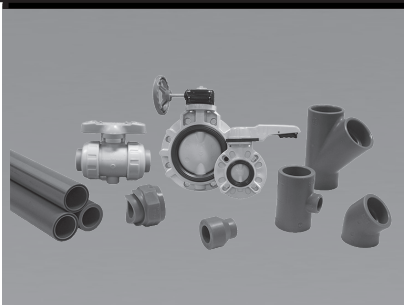


A \_\_\_\_\_  
B \_\_\_\_\_  
C \_\_\_\_\_  
D \_\_\_\_\_

# Thermoplastic Commercial Piping Systems

## Dimensional Data 2019

- Asahitec™
- Air-Pro®



Pipe • Fittings • Valves • Welding Equipment

**Another  
Corrosion  
Problem  
Solved.™**





# Table of Contents

## Asahitec™

### Pipe

Asahitec™ PP-RCT Solid Wall.....	Page 6
Watertec™ Fibercore™ Pipe.....	Page 7
Climatec™ Fibercore™ Pipe.....	Page 8

### Fittings

90 Degree Socket Elbow, Butt Elbow.....	Page 9
45 Degree Socket Elbow, Butt Elbow.....	Page 10
90 Degree and 45 Degree Street Elbow, .....	Page 11
Socket Tee, Butt Tee.....	Page 12
Reducing Socket Tee.....	Page 13
Socket Union, Reducing Butt Tee.....	Page 14
Concentric Reducer, Socket Coupling.....	Page 15
Socket Stub End, Butt Stub End.....	Page 16
Butt Chamfered Stub End.....	Page 17
Reducing Bushing Spigot x Socket.....	Page 18
Male NPT Adapter with Brass Connection, Side Wall Male Adapter.....	Page 19
Female NPT Adapter with Brass Connection, Side Wall Female Adapter.....	Page 20
Side Wall Branch Socket Outlet, Side Wall Drill Bits.....	Page 21
Socket Cross, Socket Wye.....	Page 22
Socket Cap, Butt Cap.....	Page 23
Electrofusion Coupling, Socket Crossover.....	Page 24

### Heating Accessories

Type A Socket Fusion Heater Bushing, Side Wall Outlet Heater Bushing.....	Page 25
---	---------

### Valves

Compact Ball Valves, Type-21AT Ball Valve.....	Page 26
Type-57AT Lever Butterfly Valve.....	Page 27
Type-57AT Gear Butterfly Valve.....	Page 28



**Air-Pro®**

*Product Specification*..... Page 31

**SOCKET PIPE AND FITTINGS**

Pipe..... Page 32  
 90° Elbows..... Page 33  
 45° Elbows..... Page 34  
 Tees..... Page 35  
 Reducing Tee..... Page 36  
 Stub Ends..... Page 37  
 Coupling, End Cap..... Page 38  
 Concentric Reducer..... Page 39  
 Male, Female Adapter..... Page 40

**BUTT AND ELECTROFUSION PIPE AND FITTINGS**

Pipe, 90° Elbow..... Page 41  
 45° Elbow, Tee..... Page 42  
 Reducing Tee, Concentric Reducer..... Page 43  
 Stub End, Elongated End Cap..... Page 44  
 Tapping Saddle..... Page 45  
 Tapping Saddle with Valve..... Page 46  
 Gooseneck Faucet..... Page 47  
 Ball Valve..... Page 48  
 PE Ball Valve without and with Gear..... Page 49

**Piping Accessories**

Backing Rings..... Page 52  
 PP Blind Flanges..... Page 55  
 AV Gaskets..... Page 56  
 Pipe Clips..... Page 57

**Welding Equipment**

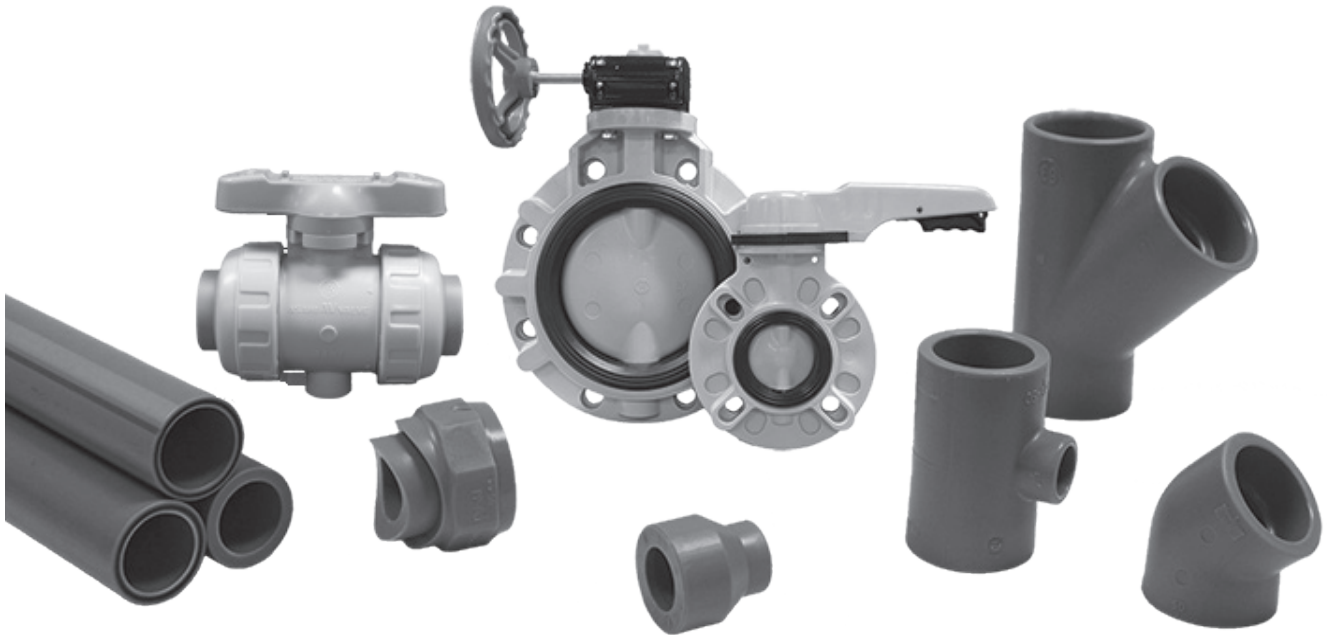
Equipment..... Page 60  
 Rental Rates..... Page 61  
 Accessories..... Page 62

**Policies**

Freight..... Page 66  
 Return..... Page 67  
 Warranty..... Page 70



# PP-RCT Plumbing and HVAC Piping Systems



PP-RCT is the latest advancement in polypropylene polymers and has a wide range of benefits for commercial plumbing systems. It has a more complex crystalline structure that provides greater pressure resistance at higher temperatures than conventional PP materials. When utilized in a piping system, these enhanced mechanical properties make it suitable for higher temperature applications such as boiler and hot water systems. They also create lighter and thinner piping while maintaining the necessary system pressure ratings. PP-RCT can also be extruded in a multilayer pipe with an inner Fibercore™ layer. This core reduces the impact of thermal expansion on the piping system.

Asahitec™  
PP-RCT



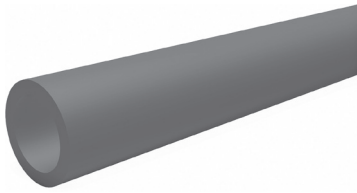
**FIBERCORE™ PIPE  
FOR HOT/COLD  
WATER AND HVAC**



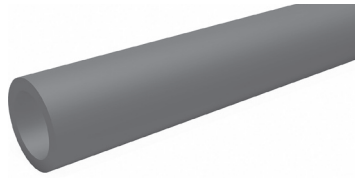
**FIBERCORE™ PIPE  
FOR HOT/COLD  
WATER AND HVAC**

<b>Pipe and Fittings</b>	Socket fusion 20-125mm (1/2' - 5") Molded butt fusion 160-500mm (6"- 20")
<b>Valves</b>	Type-21AT ball valve: 20 - 110mm (1/2" - 4") Materials: PP /EPDM body with PP-RCT end connectors
	Type-57AT butterfly valve: 50 - 500mm (1-1/2" - 20") Materials: PP/EPDM
<b>Welding</b>	Butt, socket, electrofusion

Asahitec™  
PP-RCT



**Thick Wall - SDR 7.4**



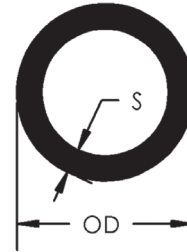
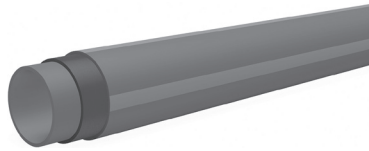
**Standard Wall - SDR 11**



**ASAHITEC SOLID PP-RCT WALL PIPE FOR AMBIENT WATER**

Size		Dimensions Length (ft.)	SDR 7.4		SDR 11	
mm (OD)	inch (nominal)		S (in.)	Part Number	S (in.)	Part Number
20	1/2	13.1	0.110	825104005	0.091	825101005*
25	3/4	13.1	0.138	825104007	0.110	825101007*
32	1	13.1	0.173	825104010	0.114	825101010
40	1-1/4	13.1	0.217	825104012	0.146	825101012
50	1-1/2	13.1	0.272	825104015	0.181	825101015
63	2	13.1	0.339	825104020	0.228	825101020
75	2-1/2	13.1	0.406	825104025	0.268	825101025
90	3	13.1	0.484	825104030	0.323	825101030
110	4	13.1	0.594	825104040	0.394	825101040
125	5	13.1	0.673	825104045	0.449	825101045
160	6	13.1	-	-	0.575	825101060
200	8	13.1	-	-	0.717	825101080
250	10	19.0	-	-	0.894	825101100
315	12	19.0	-	-	1.126	825101120
355	14	19.0	-	-	1.268	825101140
400	16	19.0	-	-	1.429	825101160
450	18	19.0	-	-	1.610	825101180
500	20	19.0	-	-	1.787	825101200

\*SDR 9

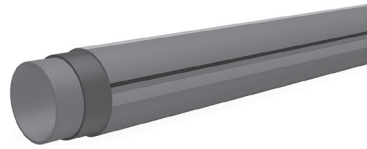



Asahitec™  
PP-RCT

## WATERTEC™ PP-RCT FIBERCORE™ PIPE FOR HOT/COLD WATER AND HVAC

Size		Dimensions		SDR	Part Number
mm (OD)	inch (nominal)	S (in.)	L (ft.)		
20	1/2	0.110	13.1	7.4	825102005
25	3/4	0.137	13.1	7.4	825102007
32	1	0.141	13.1	9	825102010
40	1-1/4	0.177	13.1	9	825102012
50	1-1/2	0.220	13.1	9	825102015
63	2	0.279	13.1	9	825102020
75	2-1/2	0.330	13.1	9	825102025
90	3	0.397	13.1	9	825102030
110	4	0.484	13.1	9	825102040
125	5	0.551	13.1	9	825102045
160	6	0.574	13.1	11	825102060
200	8	0.716	13.1	11	825102080
250	10	0.893	19.0	11	825102100
315	12	1.126	19.0	11	825102120
355	14	1.267	19.0	11	825102140
400	16	1.429	19.0	11	825102160
450	18	1.610	19.0	11	825102180
500	20	1.787	19.0	11	825102200

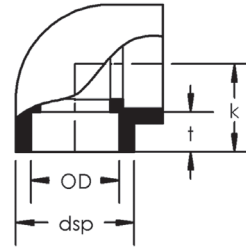
Asahitec™  
PP-RCT



**CLIMATEC™ PP-RCT FIBERCORE™ PIPE  
FOR HOT/COLD WATER AND HVAC**

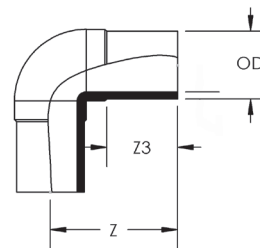
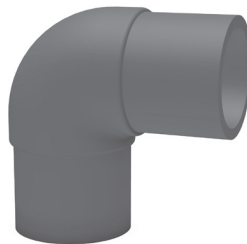
Size		Dimensions		SDR	Part Number
mm (OD)	inch (nominal)	S (in.)	L (ft.)		
20	1/2	0.110	13.1	7.4	825103005
25	3/4	0.138	13.1	7.4	825103007
32	1	0.142	13.1	9	825103010
40	1-1/4	0.146	13.1	11	825103012
50	1-1/2	0.181	13.1	11	825103015
63	2	0.228	13.1	11	825103020
75	2-1/2	0.268	13.1	11	825103025
90	3	0.323	13.1	11	825103030
110	4	0.394	13.1	11	825103040
125	5	0.449	13.1	11	825103045
160	6	0.374	13.1	17	825103060
200	8	0.469	13.1	17	825103080
250	10	0.583	19.0	17	825103100
315	12	0.736	19.0	17	825103120
355	14	0.835	19.0	17	825103140
400	16	0.933	19.0	17	825103160
450	18	1.051	19.0	17	825103180
500	20	1.169	19.0	17	825103200





### 90 DEGREE SOCKET ELBOW

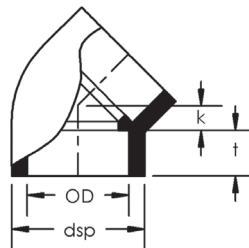
Size		Dimensions			SDR 7.4
OD mm	inch	dsp	t	k	Part Number
20	1/2	1.14	0.59	1.10	825194005
25	3/4	1.34	0.63	1.26	825194007
32	1	1.69	0.71	1.50	825194010
40	1-1/4	2.05	0.83	1.73	825194012
50	1-1/2	2.56	0.94	2.05	825194015
63	2	3.31	1.10	2.44	825194020
75	2-1/2	3.98	1.18	2.80	825194025
90	3	4.72	1.30	3.27	825194030
110	4	5.83	1.46	3.70	825194040
125	5	6.50	1.57	4.88	825194045



### 90 DEGREE BUTT ELBOW

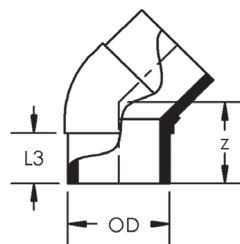
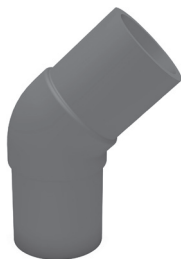
Size		Dimensions		SDR 11	List Price	SDR 17
OD mm	inch	z	z3	Part Number		Part Number
160	6	8.35	4.33	825107060	126.70	825110060
200	8	10.04	5.00	825107080	336.50	825110080
250	10	11.57	5.51	825107100	569.80	825110100
315	12	13.70	5.98	825107120	671.30	825110120
355	14	16.18	6.69	825107140	1135.80	825110140
400	16	18.50	7.36	825107160	1309.00	825110160
450	18	20.75	8.03	825107180	1753.00	825110180
500	20	22.13	8.74	825107200	2435.00	825110200

Asahitec™  
PP-RCT



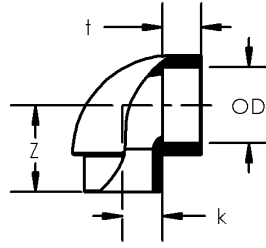
### 45 DEGREE SOCKET ELBOW

Size		Dimensions			SDR 7.4
OD mm	inch	dsp	t	k	Part Number
20	1/2	1.14	0.59	0.24	825198005
25	3/4	1.34	0.63	0.31	825198007
32	1	1.69	0.71	0.39	825198010
40	1-1/4	2.05	0.83	0.43	825198012
50	1-1/2	2.56	0.94	0.51	825198015
63	2	3.23	1.10	0.63	825198020
75	2-1/2	3.90	1.18	0.79	825198025
90	3	4.72	1.30	0.98	825198030
110	4	5.83	1.46	1.26	825198040
125	5	6.50	1.57	1.46	825198045



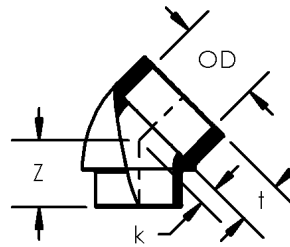
### 45 DEGREE BUTT ELBOW

Size		Dimensions		SDR 11	SDR 17
OD mm	inch	z	L3	Part Number	Part Number
160	6	6.61	4.33	825108060	825109060
200	8	8.54	5.00	825108080	825109080
250	10	8.78	5.51	825108100	825109100
315	12	10.12	6.30	825108120	825109120
355	14	12.60	6.69	825108140	825109140
400	16	13.78	7.36	825108160	825109160
450	18	15.08	8.03	825108180	825109180
500	20	16.14	8.66	825108200	825109200



### 90 DEGREE STREET ELBOW

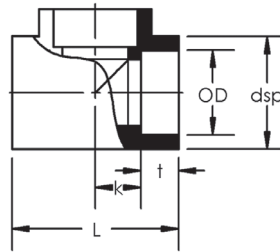
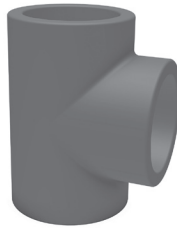
Size		Dimensions			SDR 7.4
OD mm	inch	t	k	z	Part Number
20	1/2	0.59	0.39	1.42	825174005
25	3/4	0.63	0.49	1.61	825174007
32	1	0.71	0.63	1.89	825174010
40	1-1/4	0.83	0.79	2.17	825174012



### 45 DEGREE STREET ELBOW

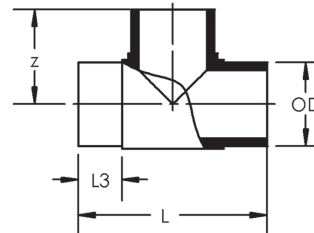
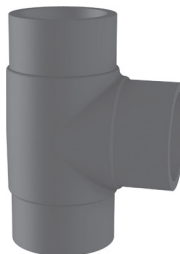
Size		Dimensions			SDR 7.4
OD mm	inch	t	k	z	Part Number
20	1/2	0.59	0.20	1.10	825179005
25	3/4	0.63	0.24	1.34	825179007
32	1	0.71	0.31	1.54	825179010

Asahitec™  
PP-RCT



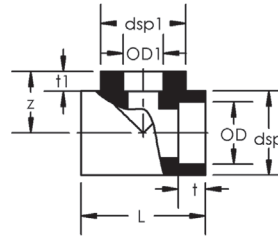
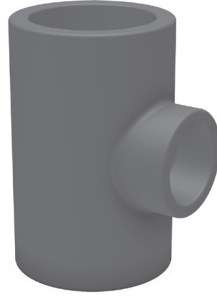
**SOCKET TEE**

Size		Dimensions				SDR 7.4
OD mm	inch	dsp	t	k	L	Part Number
20	1/2	1.14	0.59	0.51	2.20	825191005
25	3/4	1.34	0.63	0.63	2.52	825191007
32	1	1.69	0.71	0.79	2.99	825191010
40	1-1/4	2.05	0.83	0.91	3.46	825191012
50	1-1/2	2.56	0.94	1.10	4.09	825191015
63	2	3.31	1.10	1.34	4.88	825191020
75	2-1/2	3.94	1.18	1.61	5.59	825191025
90	3	4.72	1.30	1.97	6.54	825191030
110	4	5.83	1.46	2.44	7.80	825191040
125	5	6.50	1.57	3.31	9.76	825191045



**BUTT TEE**

Size		Dimensions			SDR 11	SDR 17
OD mm	inch	z	L	L3	Part Number	Part Number
160	6	8.86	17.72	4.88	825111060	825115060
200	8	9.88	19.76	5.00	825111080	825115080
250	10	12.36	24.72	5.83	825111100	825115100
315	12	14.06	28.11	6.50	825111120	825115120
355	14	15.43	30.87	6.69	825111140	825115140
400	16	17.13	34.25	7.36	825111160	825115160
450	18	18.90	37.80	8.03	825111180	825115180
500	20	20.59	41.18	8.66	825111200	825115200

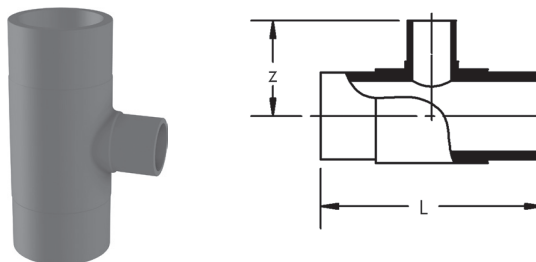


Asahitec™  
PP-RCrT

## REDUCING SOCKET TEE

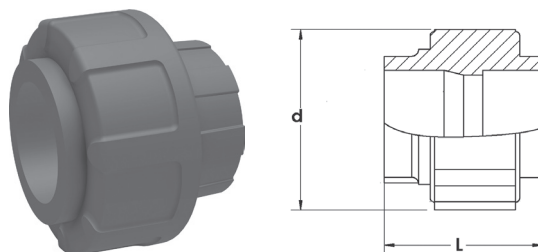
Size		Dimensions						SDR 7.4
OD x OD1 mm	inch	dsp	dsp1	t	t1	z	L	Part Number
25 x 20	3/4 x 1/2	1.34	1.14	0.63	0.59	1.26	2.52	825193101
32 x 20	1 x 1/2	1.69	1.14	0.71	0.59	1.41	2.99	825193130
32 x 25	1 x 3/4	1.69	1.34	0.71	0.63	1.41	2.99	825193131
40 x 20	1-1/4 x 1/2	2.05	1.69	0.79	0.59	1.53	3.46	825193166
40 x 25	1-1/4 x 3/4	2.05	1.69	0.83	0.63	1.57	3.46	825193167
40 x 32	1-1/4 x 1	2.05	1.69	0.83	0.71	1.57	3.46	825193168
50 x 20	1-1/2 x 1/2	2.56	1.69	0.94	0.59	1.81	4.09	825193208
50 x 25	1-1/2 x 3/4	2.56	1.69	0.94	0.63	1.81	4.09	825193210
50 x 32	1-1/2 x 1	2.56	1.69	0.94	0.71	1.81	4.09	825193211
50 x 40	1-1/2 x 1-1/4	3.35	3.35	0.91	1.06	2.44	4.88	825193212
63 x 20	2 x 1/2	3.35	1.69	1.06	0.55	2.44	4.88	825193246
63 x 25	2 x 3/4	3.35	1.69	1.06	0.63	2.44	4.88	825193248
63 x 32	2 x 1	3.35	1.69	1.06	0.71	2.44	4.88	825193249
63 x 40	2 x 1-1/4	3.35	3.35	1.06	0.79	2.44	4.88	825193250
63 x 50	2 x 1-1/2	3.35	3.35	1.06	0.91	2.44	4.88	825193251
75 x 20	2-1/2 x 1/2	3.94	1.69	1.18	0.55	2.79	5.59	825193285
75 x 25	2-1/2 x 3/4	3.94	1.69	1.18	0.63	2.79	5.59	825193286
75 x 32	2-1/2 x 1	3.94	1.69	1.18	0.71	2.79	5.59	825193289
75 x 40	2-1/2 x 1-1/4	3.94	2.56	1.18	0.79	2.79	5.59	825193290
75 x 50	2-1/2 x 1-1/2	3.94	2.56	1.18	0.91	2.79	5.59	825193291
75 x 63	2-1/2 x 2	3.94	3.98	1.18	1.06	2.79	5.59	825193292
90 x 63	3 x 2	3.35	3.27	1.30	1.10	1.96	6.53	825193338
90 x 75	3 x 2-1/2	4.72	3.94	1.30	1.18	3.26	6.53	825193339
110 x 63	4 x 2	5.83	3.35	1.46	1.10	3.89	7.79	825193420
110 x 75	4 x 2-1/2	5.83	3.94	1.46	1.18	3.89	7.79	825193421
110 x 90	4 x 3	5.83	4.72	1.46	1.30	3.89	7.79	825193422
125 x 75	5 x 2-1/2	6.50	3.94	1.57	1.18	4.09	9.76	825193459
125 x 90	5 x 3	6.50	4.72	1.57	1.30	4.17	9.76	825193460
125 x 110	5 x 4	6.50	5.83	1.57	0.91	4.33	9.76	825193461

Asahitec™  
PP-RCT



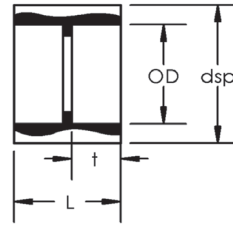
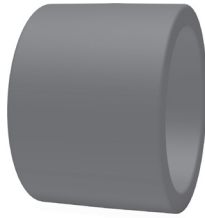
### REDUCING BUTT TEE

Size		Dimensions		SDR 11	SDR 17 x 11
mm	inch	z	L	Part Number	Part Number
160 x 90	6 x 3	7.48	16.69	825112531	825117531
160 x 110	6 x 4	7.76	16.69	825112532	825117532
200 x 90	8 x 3	8.39	20.31	825112582	825117582
200 x 110	8 x 4	8.82	20.31	825112583	825117583
200 x 125	8 x 5	8.90	20.31	825112584	825117584
200 x 160	8 x 6	9.53	20.31	825112585	825117585



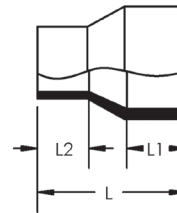
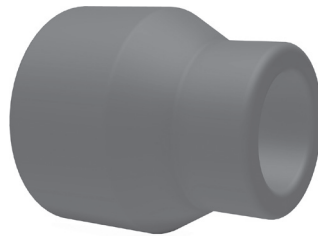
### UNION - SOCKET

Size		Dimensions		SDR 7.4
mm	inch	L	d	Part Number
20	1/2	1.73	1.81	825197005
25	3/4	1.87	2.20	825197007
32	1	2.03	2.60	825197010
40	1-1/4	2.28	3.11	825197012
50	1-1/2	2.60	3.43	825197015
63	2	3.09	4.21	825197020



## SOCKET COUPLING

Size		Dimensions			SDR 7.4
OD mm	inch	dsp	t	L	Part Number
20	1/2	1.14	0.57	1.34	825185005
25	3/4	1.34	0.63	1.46	825185007
32	1	1.69	0.71	1.61	825185010
40	1-1/4	2.05	0.81	1.81	825185012
50	1-1/2	2.56	0.93	2.05	825185015
63	2	3.31	1.08	2.36	825185020
75	2-1/2	3.90	1.18	2.56	825185025
90	3	4.72	1.30	2.99	825185030
110	4	5.83	1.46	3.15	825185040
125	5	6.50	1.57	3.54	825185045



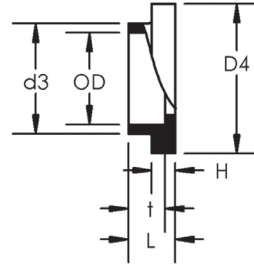
## CONCENTRIC REDUCER

Size		Dimensions			SDR 11	List Price	SDR 17
mm	inch	L	L1	L2	Part Number		Part Number
125 x 110	5 x 4	8.86	3.94	3.35	825113461+	80.20	-
160 x 110	6 x 4	10.04	4.33	3.66	825113532	84.20	825119532*
160 x 125	6 x 5	10.24	4.45	3.74	825113533	125.20	825119533*
200 x 160	8 x 6	11.93	5.59	4.61	825113585	132.70	825119585
250 x 160	10 x 6	13.35	5.43	4.37	825113627	197.80	825119627
250 x 200	10 x 8	13.39	5.51	5.12	825113628	197.80	825119628
315 x 250	12 x 10	15.75	6.30	5.71	825113673	495.00	825119673
355 x 250	14 x 10	16.73	6.97	5.91	825113702	859.90	825119702
355 x 315	14 x 12	16.73	6.97	6.81	825113705	859.90	825119705
400 x 315	16 x 12	18.11	7.48	6.50	825113721	1187.90	825119721
400 x 355	16 x 14	18.23	7.48	7.28	825113724	1187.90	825119724

\*SDR 17X11

+SDR 7.4 coupling may be required

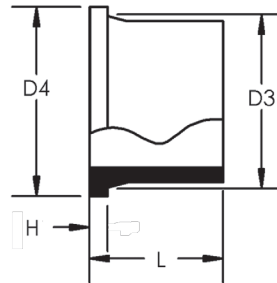
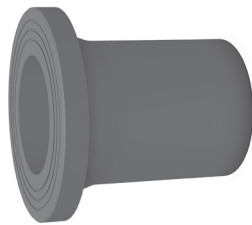
Asahitec™  
PP-RCT



**STUB END - SOCKET+**

Size		Dimensions					SDR 7.4
mm	inch	k	L	d3	D4	H	Part Number
40	1-1/4	0.35	1.14	1.97	2.40	0.31	825155012*
50	1-1/2	0.16	1.06	2.40	2.91	0.31	825155015
63	2	0.51	1.57	2.99	4.02	0.67	825155020
75	2-1/2	0.31	1.50	3.54	4.80	0.75	825155025
90	3	0.47	1.77	4.25	5.39	0.83	825155030
110	4	0.51	1.97	5.16	6.22	0.83	825155040
125	5	0.51	2.09	5.75	6.38	0.98	825155045

\*Special order item. Non-cancelable. Non-returnable.  
+Requires backing ring. See page 52-54.

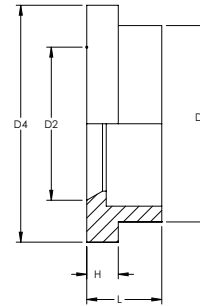


**STUB END - BUTT+**

Size		Dimensions				SDR 11	SDR 17
mm	inch	L	D3	D4	H	Part Number	Part Number
160	6	6.89	6.89	8.35	0.98	825118060	825120060
200	8	8.08	9.13	10.55	1.26	825118080	825120080
250	10	9.25	11.22	12.60	1.38	825118100	825120100
315	12	10.11	13.27	14.65	1.42	825118120	825120120
355	14	10.83	14.69	16.93	1.57	825118140	825120140
400	16	12.40	16.81	30.79	1.77	825118160	825120160
450	18	13.39	20.24	23.03	2.36	825118180	825120180
500	20	13.54	20.87	23.03	2.36	825118200	825120200

+Requires backing ring. See page 52-54.



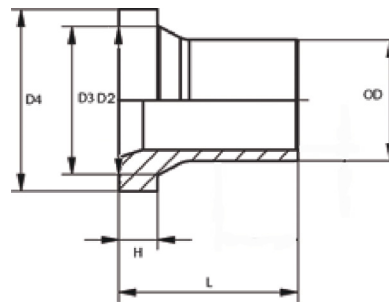
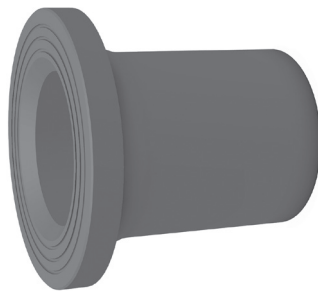


**CHAMFERED STUB END - SOCKET<sup>+</sup>**

Size		Dimensions					SDR 7.4
OD mm	inch	L	D2	D3	D4	H	Part Number
110	4	1.97	4.02	5.16	6.22	0.83	825156040

+Requires backing ring. See page 52-54.

Check with A/A on butterfly valve disc clearance dimension, not all butterfly valves have the same disc clearance dimension.



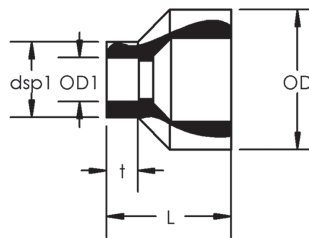
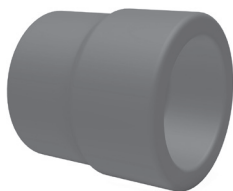
**CHAMFERED STUB END - BUTT<sup>+</sup>**

Size		Dimensions					SDR 11	List Price	SDR 17
OD mm	inch	L	D2	D3	D4	H	Part Number		Part Number
160	6	7.17	5.91	6.89	8.35	0.98	825128060	111.50	825129060
200	8	7.67	7.68	9.13	10.55	1.26	825128080	211.30	825129080
250	10	9.25	9.84	11.22	12.60	1.38	825128100	347.50	825129100
315	12	10.31	11.93	13.27	14.65	1.42	825128120	546.20	825129120
355	14	10.83	13.82	14.69	16.93	1.57	825128140	962.60	825129140
400	16	12.48	15.98	16.81	30.79	1.77	825128160	1283.50	825129160
450	18	13.39	17.80	20.24	23.03	2.36	825128180	1302.70	825129180
500	20	14.17	19.76	20.87	23.03	2.36	825128200	1421.30	825129200

+Requires backing ring. See page 52-54.

Check with A/A on butterfly valve disc clearance dimension, not all butterfly valves have the same disc clearance dimension.

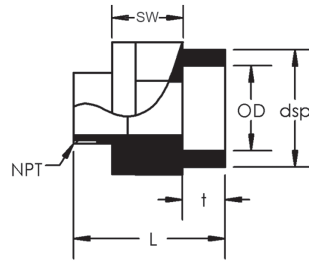
Asahitec™  
PP-RCT



### REDUCING BUSHING - SPIGOT X SOCKET

Size		Dimensions			SDR 7.4
OD X OD1 mm	inch	dsp	t	L	Part Number
25 x 20*	3/4 x 1/2	1.14	0.55	1.42	825195101
32* x 20	1 x 1/2	1.14	0.55	1.46	825195130
32 x 25*	1 x 3/4	1.34	0.63	1.54	825195131
40* x 20	1-1/4 x 1/2	1.34	0.59	1.69	825195166
40* x 25	1-1/4 x 3/4	1.34	0.63	1.69	825195167
40 x 32*	1-1/4 x 1	1.69	0.71	1.77	825195168
50* x 20	1-1/2 x 1/2	1.69	0.59	2.01	825195208
50* x 25	1-1/2 x 3/4	1.69	0.63	2.01	825195210
50* x 32	1-1/2 x 1	1.69	0.71	2.01	825195211
50 x 40*	1-1/2 x 1-1/4	2.05	0.79	2.09	825195212
63* x 20	2 x 1/2	1.34	0.55	2.20	825195246
63* x 25	2 x 3/4	1.34	0.63	2.20	825195248
63* x 32	2 x 1	1.69	0.71	2.28	825195249
63* x 40	2 x 1-1/4	2.05	0.79	2.36	825195250
63 x 50*	2 x 1-1/2	2.56	0.91	2.48	825195251
75* x 50	2-1/2 x 1/2	2.56	0.91	2.64	825195291
75 x 63*	2-1/2 x 2	3.15	1.06	2.80	825195292
90* x 50	3 x 1-1/2	2.56	0.91	2.91	825195337
90* x 63	3 x 2	3.15	1.06	3.07	825195338
90 x 75*	3 x 2-1/2	3.90	1.18	3.19	825195339
110* x 63	4 x 2	3.35	1.06	3.43	825195420
110* x 75	4 x 2-1/2	3.94	1.18	3.54	825195421
110 x 90*	4 x 3	4.72	1.26	3.66	825195422

\* Spigot End



## MALE NPT ADAPTER WITH LEAD FREE BRASS CONNECTION

Size mm x inch	Dimensions				SDR 7.4
	dsp	t	L	sw	Part Number
20 x 1/2"	1.14	0.59	2.17	1.42	825159005
20 x 3/4"	1.34	0.63	2.28	1.73	825159006
25 x 3/4"	1.34	0.63	2.28	1.73	825159007
32 x 1"	1.69	0.63	2.60	2.01	825159010
40 x 1-1/4"	2.05	0.83	2.91	2.48	825159012
50 x 1-1/2"	2.52	0.91	3.03	2.76	825159015
63 x 2"	3.11	1.06	3.62	3.35	825159020
75 x 2-1/2"	3.90	1.18	4.41	4.53	825159025

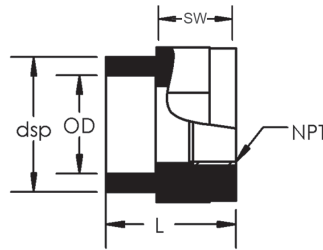


## SIDE WALL MALE ADAPTER

Pipe Range x Output x Bit

Size mm x MNPT	Dimensions		SDR 7.4
	h	sw	Part Number
40-50 x 1/2" PP-RCT 25mm Side	1.14	1.50	825143166
63-125 x 1/2" PP-RCT 25mm Side	1.14	1.50	825143285
63-125 x 3/4" PP-RCT 25mm Side	1.14	1.50	825143286
75-125 x 1" PP-RCT 32mm Side	1.38	2.01	825143455
160-250 x 1/2" PP-RCT 25mm Side	1.14	1.50	825143512
160-250 x 3/4" PP-RCT 32mm Side	1.14	1.50	825143514
160-250 x 1" PP-RCT 32mm Side	1.38	2.01	825143516
315-630 x 3/4" PP-RCT 25mm Side	1.14	1.50	825143652
315-630 x 1" PP-RCT 32mm Side	1.38	2.01	825143653

\* Branch outlet bushing required for welding, see page 25.



Asahitec™  
PP-RCT

**FEMALE NPT ADAPTER WITH LEAD FREE BRASS CONNECTION**

Size mm x inch	Dimensions			SDR 7.4
	dsp	L	sw	Part Number
20 x 1/2"	1.14	1.57	1.42	825153005
20 x 3/4"	1.34	1.65	1.73	825153006
25 x 3/4"	1.34	1.65	1.73	825153007
32 x 1"	1.69	1.89	2.01	825153010
40 x 1-1/4"	2.05	2.13	2.48	825153012
50 x 1-1/2"	2.52	2.24	2.76	825153015
63 x 2"	3.11	2.68	3.35	825153020
75 x 2-1/2"	3.90	3.23	4.53	825153025

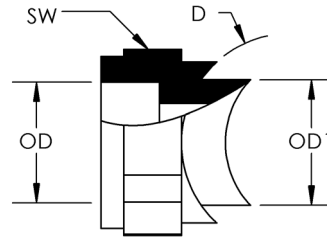


**SIDE WALL FEMALE ADAPTER**

*Pipe Range x Output x Bit*

Size mm x FNPT	Dimensions		SDR 7.4
	h	sw	Part Number
40-50 x 1/2" PP-RCT 25mm Side	1.14	1.50	825170166
63-125 x 1/2" PP-RCT 25mm Side	1.14	1.50	825170285
63-125 x 3/4" PP-RCT 25mm Side	1.14	1.50	825170286
75-125 x 1" PP-RCT 32mm Side	1.38	2.01	825170455
160-250 x 1/2" PP-RCT 25mm Side	1.14	1.50	825170512
160-250 x 3/4" PP-RCT 32mm Side	1.14	1.50	825170514
160-250 x 1" PP-RCT 32mm Side	1.38	2.01	825170516
315-630 x 3/4" PP-RCT 25mm Side	1.14	1.50	825170652
315-630 x 1" PP-RCT 32mm Side	1.38	2.01	825170653

\* Branch outlet bushing required for welding, see page 25.



Asahitec™  
PP-RCT

## SIDE WALL BRANCH SOCKET OUTLET

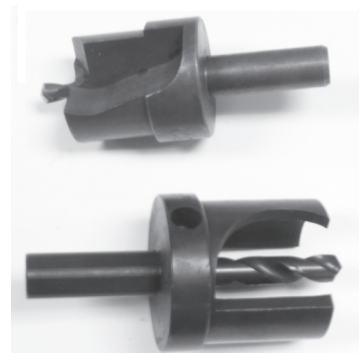
Pipe Range x Output x Bit

Size mm x mm	Dimensions		SDR 7.4
	h	sw	Part Number
40-50 x 20 PP-RCT 25mm Side	1.14	1.50	825142166
40-50 x 25 PP-RCT 25mm Side	1.14	1.50	825142167
63-125 x 20 PP-RCT 25mm Side	1.14	1.50	825142285
63-125 x 25 PP-RCT 25mm Side	1.14	1.50	825142286
63-125 x 32 PP-RCT 32mm Side	1.38	2.01	825142289
75-125 x 40 PP-RCT 40mm Side	1.50	2.48	825142290
90-125 x 50 PP-RCT 50mm Side	1.54	2.76	825142415
110 x 63 PP-RCT 63mm Side	1.77	3.35	825142458
160-250 x 20 PP-RCT 25mm Side	1.14	1.50	825142512
160-250 x 25 PP-RCT 25mm Side	1.14	1.50	825142514
160-250 x 32 PP-RCT 32mm Side	1.38	2.01	825142516
160-250 x 40 PP-RCT 40mm Side	1.50	2.48	825142519
160-250 x 50 PP-RCT 50mm Side	1.54	2.76	825142523
160-250 x 63 PP-RCT 63mm Side	1.77	3.35	825142530
315-630 x 32 PP-RCT 32mm Side	1.38	2.01	825142653
315-630 x 40 PP-RCT 40mm Side	1.50	2.48	825142654
315-630 x 50 PP-RCT 50mm Side	1.54	2.76	825142655
315-630 x 63 PP-RCT 63mm Side	1.77	3.35	825142656

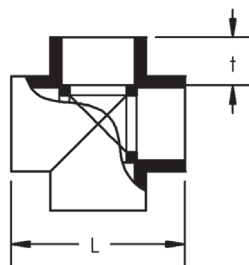
\* Branch outlet bushing required for welding, see page 25.

## SIDE WALL DRILLBITS

Size		Part Number
mm	inch	
25	3/4	825798007
32	1	825798010
40	1-1/4	825798012
50	1-1/2	825798015
63	2	825798020

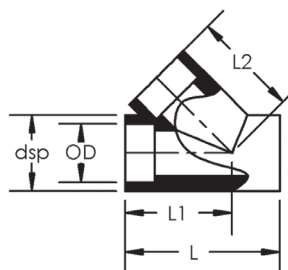


Asahitec™  
PP-RCT



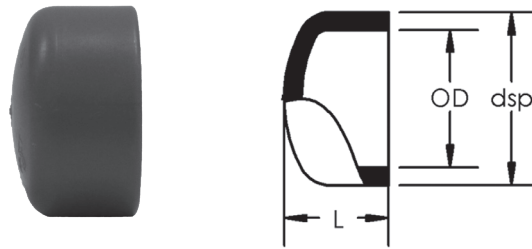
### SOCKET CROSS

Size		Dimensions		SDR 11
OD mm	inch	t	L	Part Number
20	1/2	0.57	2.05	825114005
25	3/4	0.63	2.32	825114007
32	1	0.87	3.07	825114010
40	1-1/4	1.02	3.70	825114012
50	1-1/2	0.91	4.41	825114015
63	2	1.06	5.43	825114020



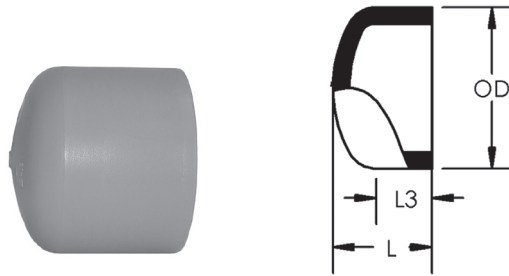
### SOCKET WYE

Size		Dimensions			SDR 11
OD mm	inch	L	L1	L2	Part Number
32	1	3.50	1.93	3.11	825189010
40	1-1/4	4.80	2.24	4.13	825189012
50	1-1/2	5.16	2.52	4.45	825189015
63	2	6.65	3.07	5.67	825189020



**SOCKET CAP**

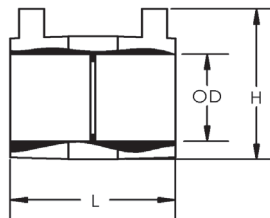
Size		Dimensions		SDR 7.4
OD mm	inch	dsp	L	Part Number
20	1/2	1.14	0.98	825181005
25	3/4	1.34	1.10	825181007
32	1	1.69	1.26	825181010
40	1-1/4	2.05	1.42	825181012
50	1-1/2	2.56	1.61	825181015
63	2	3.11	1.89	825181020
75	2-1/2	3.90	2.13	825181025
90	3	4.72	2.60	825181030
110	4	5.83	3.11	825181040
125	5	6.50	3.43	825181045



**BUTT CAP**

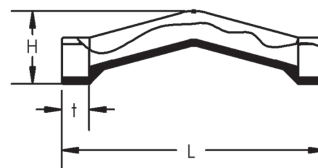
Size		Dimensions		SDR 11	List Price	SDR 17
OD mm	inch	L	L3	Part Number		Part Number
160	6	5.51	3.94	825121060	123.80	825122060
200	8	7.48	5.71	825121080	130.80	825122080
250	10	8.58	6.42	825121100	158.40	825122100
315	12	9.84	7.56	825121120	386.70	825122120
355	14	10.83	8.46	825121140	494.90	825122140
400	16	11.14	8.98	825121160	567.40	825122160
500	20	13.19	8.35	825121200	1098.90	825122200

Asahitec™  
PP-RCT



### ELECTROFUSION COUPLING

Size		Dimensions		Part Number
OD mm	inch	L	H	
20	1/2	2.76	2.05	825177005
25	3/4	2.76	2.24	825177007
32	1	2.76	2.56	825177010
40	1-1/4	3.35	2.95	825177012
50	1-1/2	3.43	3.39	825177015
63	2	3.82	3.94	825177020
75	2-1/2	4.72	4.49	825177025
90	3	5.79	5.12	825177030
110	4	6.18	5.67	825177040
125	5	6.50	6.57	825177045
160	6	6.93	8.07	825177060
200	8	7.36	9.65	825177080
250	10	9.57	12.40	825177100
315	12	11.02	14.76	825177120
355	14	12.40	17.13	825177140
400	16	13.98	18.98	825177160
450	18	13.78	21.02	825177180



### SOCKET CROSSOVER

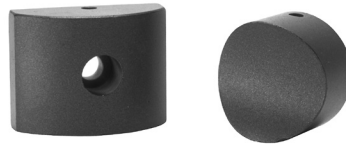
Size		Dimensions			SDR 7.4
mm	inch	t	L	H	Part Number
20	1/2	0.57	6.30	1.77	825176005
25	3/4	0.63	7.87	2.17	825176007
32	1	1.02	9.45	2.76	825176010





## TYPE A SOCKET FUSION HEATER BUSHINGS

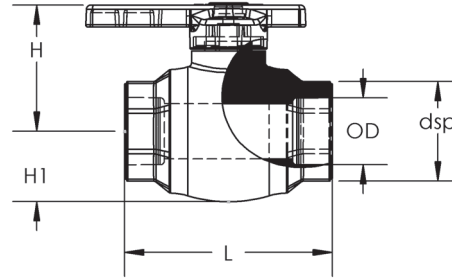
Size		Part Number
mm	inch	
20	1/2	825797005
25	3/4	825797007
32	1	825797010
40	1-1/4	825797012
50	1-1/2	825797015
63	2	825797020
75	2-1/2	825797025
90	3	825797030
110	4	825797040
125	5	825797045



## BRANCH OUTLET BUSHINGS

mm	Size	Part Number
	inch	
40-63 x 25	1-1/4-2 x 3/4	825797166
40-63 x 32	1-1/4-2 x 1	825797168
75-125 x 25	2-1/2-4-1/2 x 3/4	825797286
75-125 x 32	2-1/2-4-1/2 x 1	825797289
75-125 x 40	2-1/2-4-1/2 x 1-1/4	825797290
75-125 x 50	2-1/2-4-1/2 x 1-1/2	825797415
75-125 x 63	2-1/2-4-1/2 x 2	825797458
160-250 x 25	6-10 x 3/4	825797514
160-250 x 32	6-10 x 1	825797516
160-250 x 40	6-10 x 1-1/4	825797519
160-250 x 50	6-10 x 1-1/2	825797523
160-250 x 63	6-10 x 2	825797530
315-630 x 25	12-20 x 3/4	825797652
315-630 x 32	12-20 x 1	825797653
315-630 x 40	12-20 x 1-1/4	825797654
315-630 x 50	12-20 x 1-1/2	825797655
315-630 x 63	12-20 x 2	825797656

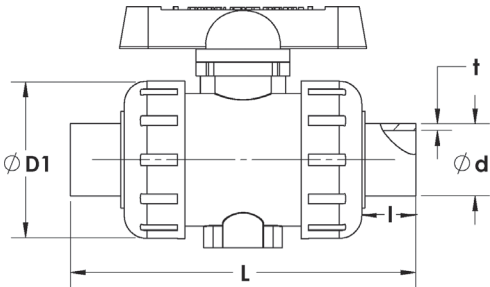
Asahitec™  
PP-RCT



**COMPACT BALL VALVE - SOCKET**

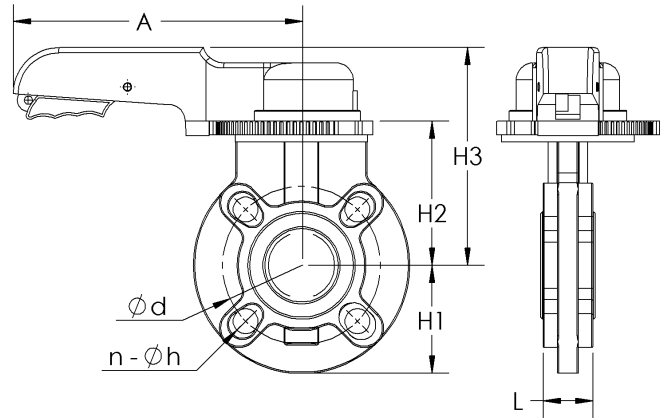
Size		Dimensions				SDR 7
mm	inch	H	H1	L	dsp	Part Number
20	1/2	2.04	0.98	3.46	1.22	825162005
25	3/4	2.18	1.04	3.62	1.50	825162007
32	1	2.29	1.28	3.78	1.81	825162010
40	1-1/4	3.00	1.77	4.53	2.13	825162012
50	1-1/2	3.24	2.04	4.86	2.60	825162015
63	2	3.53	2.26	5.91	3.23	825162020

Not NSF approved. For hyronic applications only.



**TYPE-21AT TRUE UNION BALL VALVE - SOCKET**

Size		Dimensions				EPDM O-RINGS
mm	inch	D1	d1	I	L	Part Number
20	1/2	0.848	0.836	0.875	4.45	821638005
25	3/4	1.058	1.046	1.000	5.08	821638007
32	1	1.325	1.310	1.125	5.75	821638010
40	1-1/4	1.553	1.543	1.250	6.46	821638012
50	1-1/2	1.912	1.894	1.375	7.24	821638015
63	2	2.387	2.369	1.500	8.23	821638020
75	2-1/2	2.560	2.923	1.75	9.45	821638025
90	3	5.48	3.51	1.40	9.92	821638030
110	4	8.27	4.29	1.63	13.28	821638040



Asahitec™  
PP-RC™

**TYPE-57AT LEVER BUTTERFLY VALVE**

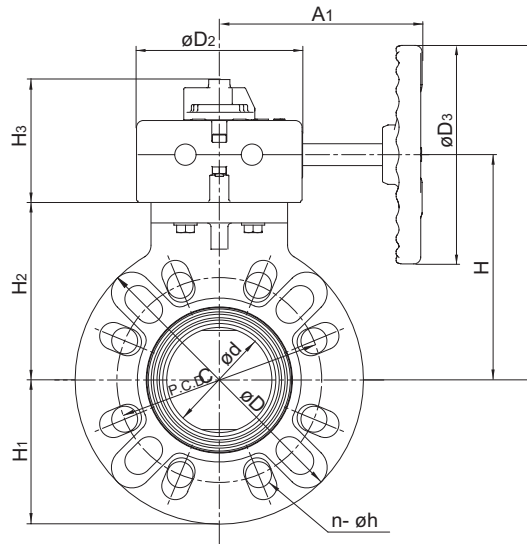
Size inch	Dimensions					PP BODY AND DISC/ EPDM LINER  Part Number
	A	H1	H2	H3	L	
1-1/2	8.66	2.95	3.94	2.20	1.54	823752015
2	8.66	3.25	4.33	2.20	1.65	823752020
2-1/2	8.66	3.64	4.72	2.20	1.81	823752025
3	9.84	4.15	5.31	2.20	1.81	823752030
4	9.84	4.69	5.91	2.20	2.20	823752040
5	12.60	5.20	6.61	2.72	2.60	823752050
6	12.60	5.61	7.20	2.72	2.80	823752060
8	15.75	6.69	8.43	2.72	3.43	823752080



**Certified to  
NSF/ANSI 61**

For lugged valves please consult factory

Asahitec™  
PP-RCT



**TYPE-57AT GEAR BUTTERFLY VALVE**

Size	Dimensions									PP BODY AND DISC/ EPDM LINER
	inch	d	D	D2	D3	H	H1	H2	H3	
1-1/2	1.77	5.91	4.8	6.30	5.12	2.95	3.74	3.54	6.57	823726015
2	2.20	6.50	4.8	6.30	5.51	3.25	4.13	3.54	6.57	823726020
2-1/2	2.72	7.28	4.8	6.30	5.91	3.64	4.53	3.54	6.57	823726025
3	3.03	8.31	4.8	6.30	6.50	4.15	5.12	3.54	6.57	823726030
4	4.02	9.37	4.8	6.30	7.09	4.69	5.71	3.54	6.57	823726040
5	5.08	10.39	4.8	y.30	7.68	5.20	6.30	3.54	6.57	823726050
6	5.91	11.22	4.8	6.30	8.27	5.61	6.89	3.54	6.57	823726060
8	7.68	13.39	4.8	6.30	9.49	6.69	8.11	3.54	6.57	823726080
10	9.84	16.57	4.8	6.30	10.87	8.31	9.49	3.62	6.57	823726100
12	11.93	19.21	7.4	11.81	13.39	9.61	11.73	4.25	10.71	823726120
14	13.82	21.22	7.4	11.81	14.49	10.63	12.90	4.25	10.71	823726140



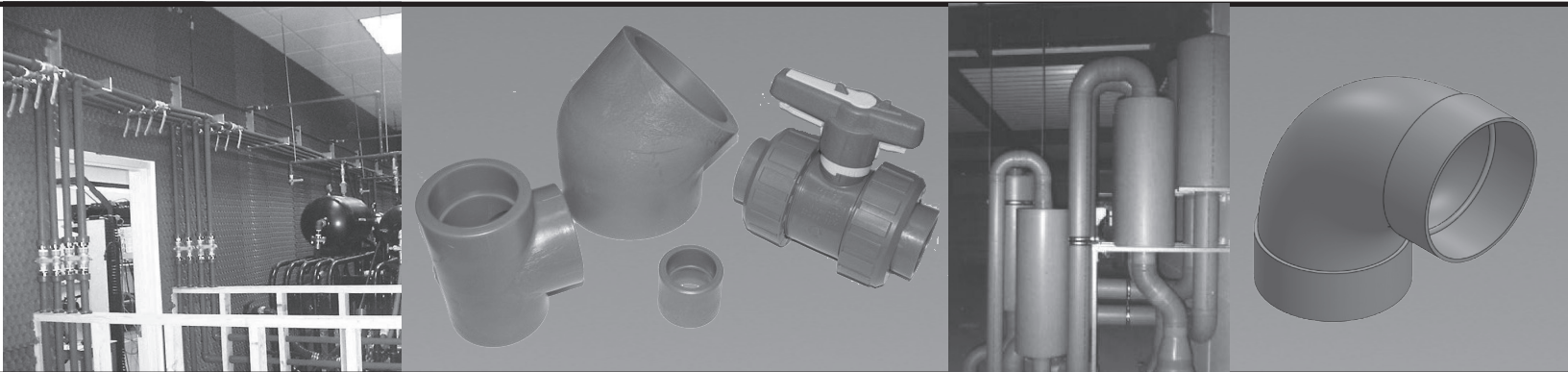
**Certified to  
NSF/ANSI 61**

For larger sizes up to 24" please consult factory

For lugged valves please consult factory

# Air Handling Piping Systems

**Air-Pro<sup>®</sup> - Compressed Air System**



**Another  
Corrosion  
Problem  
Solved.<sup>™</sup>**





**Air-Pro®**

*Product Specification*..... Page 31

**SOCKET PIPE AND FITTINGS**

Pipe..... Page 32  
 90° Elbows..... Page 33  
 45° Elbows..... Page 34  
 Tees..... Page 35  
 Reducing Tee..... Page 36  
 Stub Ends..... Page 37  
 Coupling, End Cap..... Page 38  
 Concentric Reducer..... Page 39  
 Male, Female Adapter..... Page 40

**BUTT AND ELECTROFUSION PIPE AND FITTINGS**

Pipe, 90° Elbow..... Page 41  
 45° Elbow, Tee..... Page 42  
 Reducing Tee, Concentric Reducer..... Page 43  
 Stub End, Elongated End Cap..... Page 44  
 Tapping Saddle..... Page 45  
 Tapping Saddle with Valve..... Page 46  
 Gooseneck Faucet..... Page 47  
 Ball Valve..... Page 48  
 PE Ball Valve without and with Gear..... Page 49

# Air-Pro®

Blue Polyethylene (PE)  
Compressed Air Piping System  
REV:IN0512PE

Air-Pro®

**Materials:** ASTM D3350 cell classification PE346544C or better. Resin shall comply with FDA Code of Federal Regulators (CFR), Title 21, Chapter 1: Section 177.1520 determining suitability for contact with foodstuff.

Meets Cal/OSHA requirements for transport of compressed air

**Pipe Production:** Dimensions and tolerances shall exceed ISO 15494 requirement.

**Fitting Production:** Dimensions and tolerances shall exceed ISO 15494 requirement.

**Pressure Rating:** Components shall be pressure rated in accordance with ASTM D2837 and DIN 8077 for hydrostatic design basis. Components shall be manufactured to standard dimensional ratio (SDR) 7 & 11.

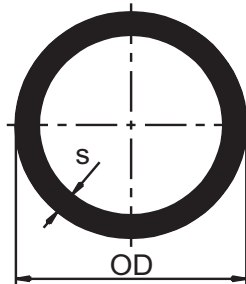
Based on continuous service life of 50 years at 68° F (20° C).

SDR7: 230psi (PN16)

SDR11: 150psi (PN10)

PN = Nominal pressure in bar.

**Joining:** Available methods shall be according to the schedule below  
DVS 2208-1 Socket: 1/2" (20mm) through 4" (110mm)  
DVS 2207-1 Contact Butt: 1/2" (20mm) through max product size



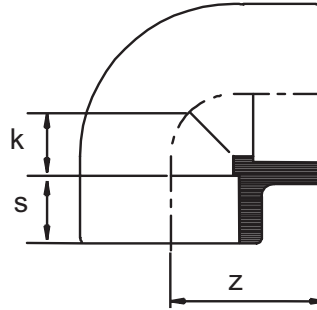
**PIPE\*** 5 meter (16.4') lengths

Size		Dimensions			SDR 7 / PN 16 / 230 PSI
mm	inch	OD	s	Weight (lb/lth)	Part Number
20	1/2	0.79	0.110	1.76	5802005
25	3/4	0.98	0.138	2.65	5802007
32	1	1.26	0.173	4.30	5802010
40	1-1/4	1.57	0.217	6.72	5802012
50	1-1/2	1.97	0.272	10.47	5802015
63	2	2.48	0.339	16.42	5802020
90	3	3.54	0.484	33.40	5802030
110	4	4.33	0.594	50.04	5802040

\*Sold in 5m (16.4') lengths only.

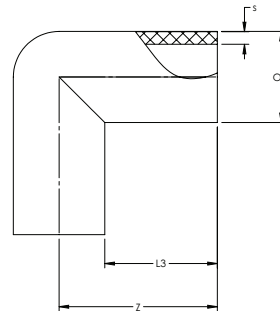
Air-Pro® systems 20-110mm are blue. SDR 7.4 and rated at 230psi.





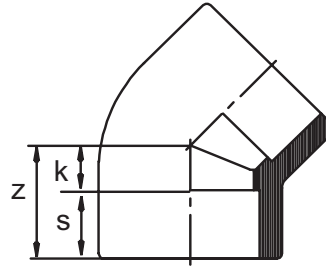
**90 DEGREE ELBOW**

Size		Dimensions			SDR 7 / PN 16 / 230 PSI
mm	inch	Z	s	k	Part Number
20	1/2	1.177	0.626	0.551	5805005
25	3/4	1.378	0.709	0.669	5805007
32	1	1.547	0.760	0.787	5805010
40	1-1/4	1.815	0.831	0.984	5805012
50	1-1/2	2.055	0.953	1.102	5805015
63	2	2.421	1.043	1.378	5805020
90	3	3.311	1.382	1.929	5805030
110	4	3.937	1.693	2.244	5805040



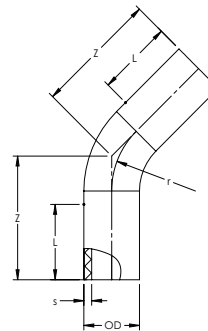
**90 DEGREE SWEEP ELBOW**

Size		Dimensions			SDR 7.4 / PN 16 / 230 PSI	
mm	inch	s	Z	L3	Weight (lbs)	Part Number
63	2	0.34	4.29	2.99	0.68	580501020
90	3	0.48	4.96	3.25	1.66	580501030
110	4	0.59	5.73	3.46	2.69	580501040



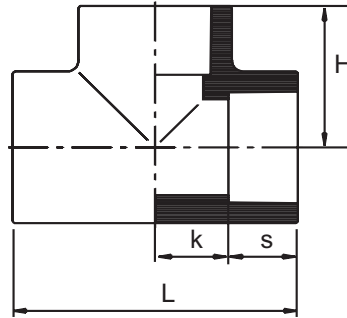
**45 DEGREE ELBOW**

Size		Dimensions			SDR 7 / PN 16 / 230 PSI
mm	inch	Z	s	k	Part Number
20	1/2	1.063	0.630	0.433	5808005
25	3/4	1.240	0.689	0.551	5808007
32	1	1.468	0.799	0.669	5808010
40	1-1/4	1.673	0.846	0.827	5808012
50	1-1/2	1.984	0.961	1.024	5808015
63	2	2.402	1.102	1.299	5808020
90	3	3.256	1.445	1.811	5808030
110	4	3.886	1.681	2.205	5808040



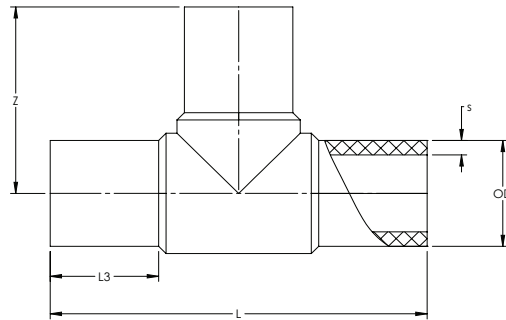
**45 DEGREE SWEEP ELBOW - BUTT**

Size		Dimensions				SDR 7.4 / PN 16 / 230 PSI	
mm	inch	s	z	r	L	Weight (lbs)	Part Number
63	2	0.34	6.69	3.74	3.94	1.10	580801020
90	3	0.48	8.66	5.31	5.91	2.87	580801030
110	4	0.59	9.45	6.50	5.91	4.85	580801040



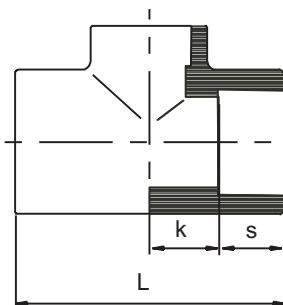
**TEE - SOCKET**

Size		Dimensions				SDR 7 / PN 16 / 230 PSI	
mm	inch	L	H	s	k	Part Number	
20	1/2	2.362	1.177	0.626	0.551	5820005	
25	3/4	2.756	1.378	0.748	0.630	5820007	
32	1	3.126	1.547	0.760	0.787	5820010	
40	1-1/4	3.701	1.831	0.846	0.984	5820012	
50	1-1/2	4.252	2.134	0.972	1.161	5820015	
63	2	4.933	2.461	1.142	1.319	5820020	
90	3	7.268	3.594	1.488	2.106	5820030	
110	4	8.150	4.075	1.654	2.421	5820040	



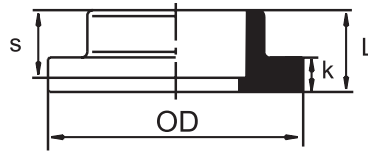
**TEE - BUTT**

Size		Dimensions					SDR 7.4 / PN 16 / 230 PSI	
mm	inch	s	z	L	L3	Weight (lbs)	Part Number	
63	2	0.34	4.37	8.62	2.48	1.08	582001020	
90	3	0.48	5.55	11.18	3.11	2.81	582001030	
110	4	0.59	6.22	12.40	3.23	4.59	582001040	



### REDUCING TEE

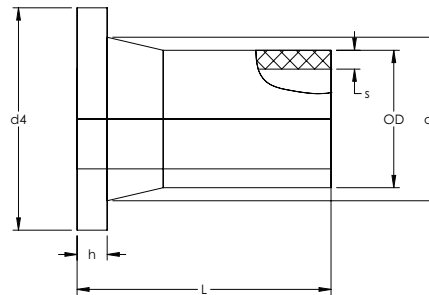
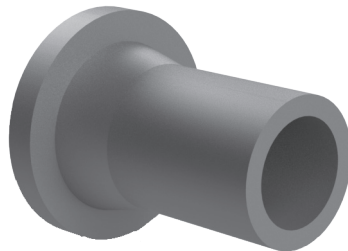
Size		Dimensions			SDR 7 / PN 16 / 230 PSI
mm	inch	L	s	k	Part Number
25 x 20	3/4 x 1/2	1.496	0.618	0.878	5824101
32 x 20	1 x 1/2	1.732	0.614	1.118	5824130
32 x 25	1 x 3/4	1.732	0.697	1.035	5824131
40 x 20	1-1/4 x 1/2	1.949	0.610	1.339	5824166
40 x 25	1-1/4 x 3/4	1.949	0.689	1.260	5824167
40 x 32	1-1/4 x 1	1.968	0.780	1.189	5824168
50 x 20	1-1/2 x 1/2	2.165	0.646	1.520	5824208
50 x 25	1-1/2 x 3/4	2.138	0.697	1.441	5824210
50 x 32	1-1/2 x 1	2.146	0.701	1.445	5824211
50 x 40	1-1/2 x 1-1/4	2.126	1.004	1.122	5824212
63 x 25	2 x 3/4	2.520	0.709	1.811	5824248
63 x 32	2 x 1	2.520	0.787	1.732	5824249
63 x 40	2 x 1-1/4	2.500	0.827	1.673	5824250
63 x 50	2 x 1-1/2	2.520	0.965	1.555	5824251



**STUB END\* (FLANGE ADAPTER)**

Size		Dimensions				SDR 7 / PN 16 / 230 PSI
mm	inch	L	OD	s	k	Part Number
20	1/2	0.827	1.772	0.630	0.382	5833005
25	3/4	0.906	2.283	0.669	0.374	5833007
32	1	0.984	2.677	0.748	0.382	5833010
40	1-1/4	1.043	3.071	0.866	0.433	5833012
50	1-1/2	1.181	3.465	0.941	0.472	5833015
63	2	1.319	4.016	1.083	0.543	5833020
90	3	1.654	5.433	1.358	0.630	5833030
110	4	1.890	6.220	1.614	0.736	5833040

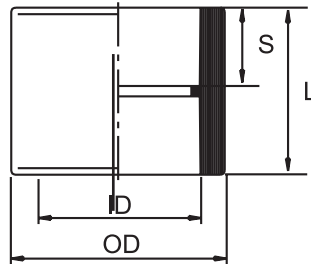
\*Requires backing ring. See page 52-54.



**STUB END\* (FLANGE ADAPTER) - BUTT**

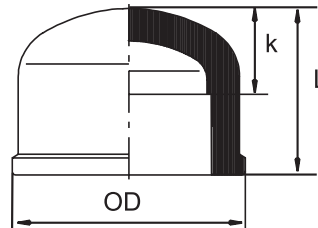
Size		Dimensions					SDR 7.4 / PN 16 / 230 PSI	
mm	inch	s	L	d3	d4	h	Weight (lbs)	Part Number
63	2	0.34	4.65	2.95	4.02	0.55	0.58	583301020
90	3	0.48	5.51	4.13	5.43	0.67	1.33	583301030
110	4	0.59	5.51	4.92	6.22	0.71	1.94	583301040

\*Requires backing ring. See page 52-54.



**COUPLING**

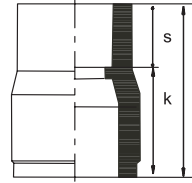
Size		Dimensions				SDR 7 / PN 16 / 230 PSI
mm	inch	L	OD	ID	S	Part Number
20	1/2	1.378	1.181	0.787	0.634	5816005
25	3/4	1.535	1.374	0.984	0.709	5816007
32	1	1.677	1.681	1.260	0.787	5816010
40	1-1/4	1.811	2.035	1.575	0.866	5816012
50	1-1/2	2.024	2.520	1.968	0.965	5816015
63	2	2.335	3.169	2.480	1.110	5816020
90	3	3.059	4.496	3.543	1.378	5816030
110	4	3.543	5.244	4.331	1.681	5816040



**END CAP**

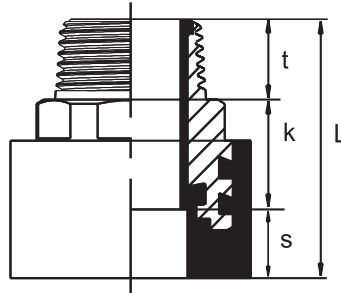
Size		Dimensions			SDR 7 / PN 16 / 230 PSI
mm	inch	OD	L	k	Part Number
20	1/2	1.280	1.063	0.445	5812005
25	3/4	1.484	1.201	0.587	5812007
32	1	1.831	1.358	0.661	5812010
40	1-1/4	2.283	1.496	0.886	5812012
50	1-1/2	2.756	1.850	1.161	5812015
63	2	3.406	2.362	1.583	5812020
90	3	4.685	3.150	2.504	5812030
110	4	5.512	3.701	3.004	5812040

Large dimension is spigot end, small dimension is socket.



## CONCENTRIC REDUCER

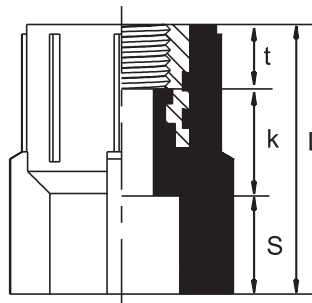
Size		Dimensions			SDR 7 / PN 16 / 230 PSI
mm	inch	L	s	k	Part Number
25 x 20	3/4 x 1/2	1.496	0.618	0.878	5829101
32 x 20	1 x 1/2	1.732	0.614	1.118	5829130
32 x 25	1 x 3/4	1.732	0.697	1.035	5829131
40 x 20	1-1/4 x 1/2	1.949	0.61	1.339	5829166
40 x 25	1-1/4 x 3/4	1.949	0.689	1.260	5829167
40 x 32	1-1/4 x 1	1.968	0.78	1.189	5829168
50 x 20	1-1/2 x 1/2	2.165	0.646	1.52	5829208
50 x 25	1-1/2 x 3/4	2.138	0.697	1.441	5829210
50 x 32	1-1/2 x 1	2.146	0.701	1.445	5829211
50 x 40	1-1/2 x 1-1/4	2.126	1.004	1.122	5829212
63 x 25	2 x 3/4	2.520	0.709	1.811	5829248
63 x 32	2 x 1	2.520	0.787	1.732	5829249
63 x 40	2 x 1-1/4	2.500	0.827	1.673	5829250
63 x 50	2 x 1-1/2	2.520	0.965	1.555	5829251
90 x 63	3 x 2	3.366	1.1902	2.264	5829338
110 x 63	4 x 2	3.465	1.122	2.343	5829420
110 x 90	4 x 3	3.445	1.476	1.968	5829422



**MALE ADAPTER**

Size		Dimensions				SDR 7 / PN 16 / 230 PSI
mm	inch	L	s	k	t	Part Number
20	1/2	2.244	0.591	1.043	0.610	5859005
25	3/4	2.402	0.669	1.102	0.669	5859007
32	1	2.598	0.709	1.181	0.709	5859010
40	1-1/4	2.795	0.827	1.142	0.827	5859012
50	1-1/2	3.031	0.945	1.142	0.945	5859015
63	2	3.268	1.083	1.102	1.083	5859020

Nickle plated brass threads.

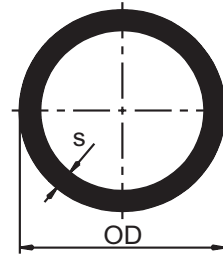
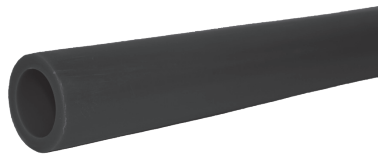


**FEMALE ADAPTER**

Size		Dimensions				SDR 7 / PN 16 / 230 PSI
mm	inch	L	S	k	t	Part Number
20	1/2	1.598	0.62	0.386	0.591	5853005
25	3/4	1.606	0.62	0.386	0.709	5853007
32	1	1.850	0.71	0.386	0.787	5853010
40	1-1/4	1.949	0.79	0.386	0.827	5853012
50	1-1/2	2.268	0.91	0.386	1.004	5853015
63	2	2.567	1.04	0.386	1.142	5853020

Nickel-plated brass threads



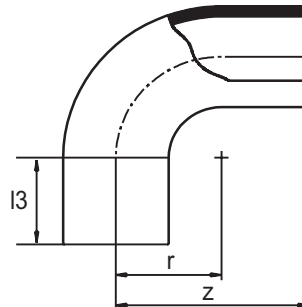


**PIPE\*** 5 meter (16.4') lengths

Size		Dimensions			SDR 11 / PN 10 / 150 PSI
mm	inch	OD	s	Weight (lb/ft)	Part Number
160	6	6.30	0.575	4.48	5803060
200	8	7.87	0.717	6.99	5803080
250	10	9.84	0.894	10.89	5803100
315	12	12.40	1.126	17.21	5803120

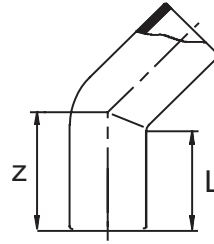
\*Sold in 5m (16.4') lengths only.

Air-Pro® systems 160-315mm are black, SDR 11 and rated at 150psi.



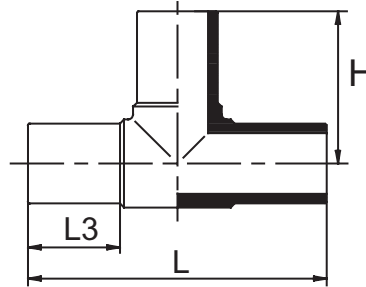
**90 DEGREE ELBOW**

Size		Dimensions			SDR 11 / PN 10 / 150 PSI
mm	inch	z	r	l3	Part Number
160	6	12.638	6.535	6.102	5811060
200	8	14.882	8.189	6.693	5811080
250	10	17.323	10.039	7.677	5811100
315	12	21.260	12.480	8.661	5811120



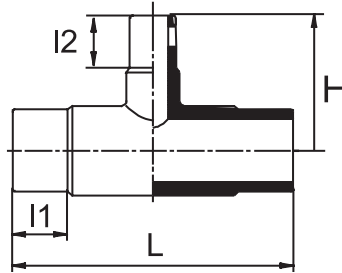
**45 DEGREE ELBOW**

Size		Dimensions		SDR 11 / PN 10 / 150 PSI
mm	inch	z	L	Part Number
160	6	6.161	4.587	5809060
200	8	6.772	4.803	5809080
250	10	8.543	6.220	5809100
315	12	9.882	6.968	5809120



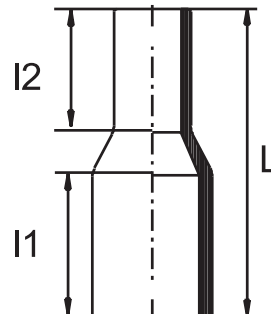
**TEE**

Size		Dimensions			SDR 11 / PN 10 / 150 PSI
mm	inch	L	H	L3	Part Number
160	6	16.063	7.972	3.937	5823060
200	8	21.653	10.827	5.315	5823080
250	10	24.488	12.205	5.827	5823100
315	12	29.646	14.764	6.693	5823120



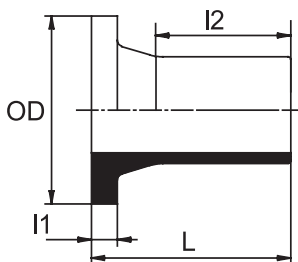
**REDUCING TEE**

Size		Dimensions				SDR 11 / PN 10 / 150 PSI
mm	inch	L	H	I1	I2	Part Number
160 x 63	6 x 2	13.396	6.752	3.917	2.598	5825530
160 x 90	6 x 3	13.504	6.968	3.976	3.150	5825531
160 x 110	6 x 4	11.417	7.618	3.858	3.268	5825532
200 x 63	8 X 2	21.653	8.860	5.276	3.150	5825581
200 x 90	8 X 3	21.653	8.860	5.276	3.740	5825582
200 x 110	8 x 4	21.653	9.449	5.276	4.055	5825583
200 x 160	8 x 6	21.653	10.433	5.276	4.488	5825585
250 x 110	10 x 4	24.803	9.764	5.827	3.386	5825626
250 x 160	10 x 6	24.803	10.551	5.827	3.937	5825627
250 x 200	10 x 8	24.803	11.417	5.827	4.567	5825628
315 x 110	12 x 4	21.496	11.417	6.693	3.937	5825658
315 x 200	12 x 8	22.638	12.205	6.693	4.724	5825660
315 x 250	12 x 10	26.378	13.110	6.693	5.905	5825673



**CONCENTRIC REDUCER**

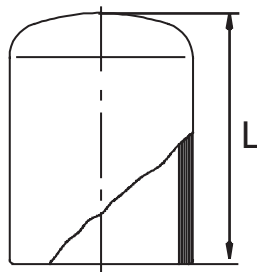
Size		Dimensions			SDR 11 / PN 10 / 150 PSI
mm	inch	L	I1	I2	Part Number
160 x 110	6 x 4	8.740	3.858	3.465	5831532
200 x 110	8 x 6	9.921	4.409	4.016	5831585
200 x 160	10 x 6	12.362	6.102	4.449	5831627
315 x 110	10 x 8	12.362	6.102	4.921	5831628
315 x 200	12 x 8	14.764	7.047	5.236	5831660
315 x 250	12 x 10	14.764	6.693	6.102	5831673



**STUB END\* (FLANGE ADAPTER)**

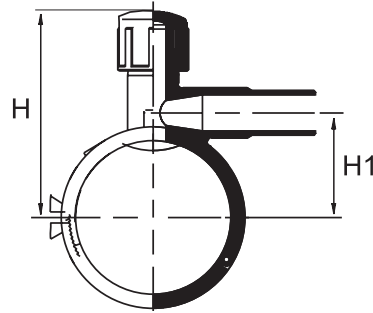
Size		Dimensions				SDR 11 / PN 10 / 150 PSI
mm	inch	OD	L	I1	I2	Part Number
160	6	8.346	7.146	0.984	4.980	5832060
200	8	10.551	7.146	1.260	4.626	5832080
250	10	12.598	10.827	1.378	7.953	5832100
315	12	14.567	15.039	1.378	11.890	5832120

\*Requires backing ring. See page 52-54.



**ELONGATED END CAP**

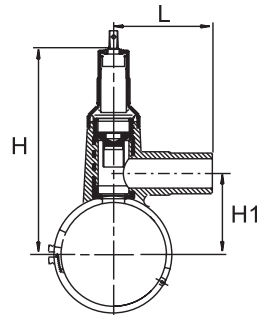
Size		Dimensions	SDR 11 / PN 10 / 150 PSI
mm	inch	L	Part Number
160	6	6.594	5813060
200	8	7.146	5813080
250	10	9.055	5813100
315	12	10.315	5813120



## ELECTROFUSION TAPPING SADDLE

Size		Dimensions		SDR 11 / PN 10 / 150 PSI
mm	inch	H	H1	Part Number
63 x 20	2 X 1/2	6.673	2.352	5839246
63 x 32	2 x 1	6.673	2.244	5839249
63 x 40	2 X 1-1/4	6.673	2.303	5839250
63 x 63	2 X 2	6.673	2.362	5839020
90 x 32	3 x 1	5.433	2.559	5839336
90 x 63	3 x 2	6.142	2.559	5839338
110 x 20	4 X 1/2	8.130	2.992	5839399
110 x 32	4 x 1	8.130	2.992	5839401
110 x 40	4 X 1-1/4	8.130	2.992	5839412
110 x 63	4 x 2	8.130	3.248	5839420
160 x 20	6 X 1/2	9.114	3.878	5839512
160 x 32	6 x 1	9.114	3.898	5839516
160 x 40	6 X 1-1/4	9.114	4.075	5839519
160 x 63	6 x 2	9.114	4.134	5839530
200 x 63	8 X 2	9.902	4.803	5839581
250 x 63	10 X 2	11.693	5.945	5839624
315 x 63	12 X 2	13.405	7.146	5839656

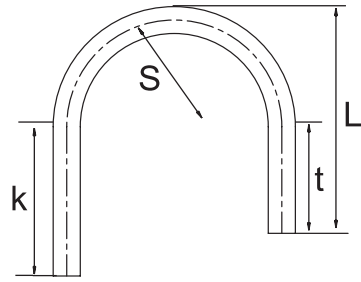
Air-Pro® pipe electrofusion saddles are rated at 150psi.  
Requires use of Polymatic electrofusion welding machine.



**TAPPING SADDLE WITH VALVE**

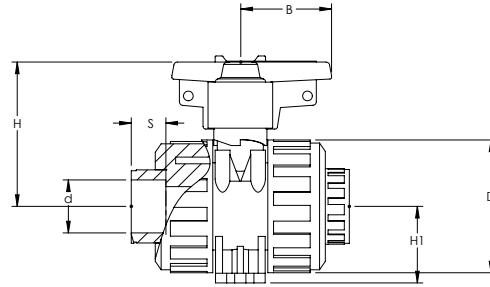
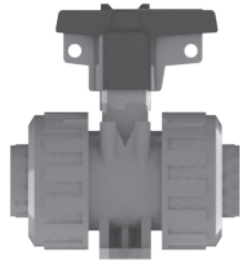
Size		Dimensions			SDR 11 / PN 10 / 150 PSI
mm	inch	L	H	H1	Part Number
63 x 32	2 x 1	5.157	7.657	2.571	5838249
63 x 40	2 X 1-1/4	5.512	7.657	2.571	5838250
63 x 50	2 X 1-1/2	6.319	7.657	2.571	5838251
63 x 63	2 X 2	7.362	7.657	2.571	5838020
90 x 32	3 x 1	5.315	9.764	3.110	5838336
90 x 40	3 x 1-1/4	5.709	9.764	3.110	5838335
90 x 50	3 X 1-1/2	6.339	9.764	3.110	5838337
90 x 63	3 X 2	7.559	9.764	3.110	5838338
110 x 32	4 x 1	5.394	10.118	3.425	5838401
110 x 40	4 X 1-1/4	5.787	10.157	3.425	5838412
110 x 50	4 X 1-1/2	6.299	10.157	3.425	5838415
110 x 63	4 x 2	7.583	10.157	3.425	5838420
160 x 32	6 x 1	5.394	11.142	4.071	5838516
160 x 40	6 X 1-1/4	5.787	11.142	4.457	5838519
160 x 50	6 X 1-1/2	6.339	11.142	4.457	5838523
160 x 63	6 x 2	7.441	11.142	4.457	5838530
200 x 32	8 X 1	5.394	11.929	5.276	5838571
200 x 40	8 X 1-1/4	5.748	11.929	5.276	5838565
200 x 50	8 X 1-1/2	6.260	11.929	5.276	5838580
200 x 63	8 X 2	7.520	11.929	5.276	5838581
250 x 63	12 X 2	7.559	14.193	8.016	5838656

Air-Pro® pipe electrofusion saddles are rated at 150psi.  
Requires use of Polymatic electrofusion welding machine.



**SPIGOT GOOSENECK FAUCET**

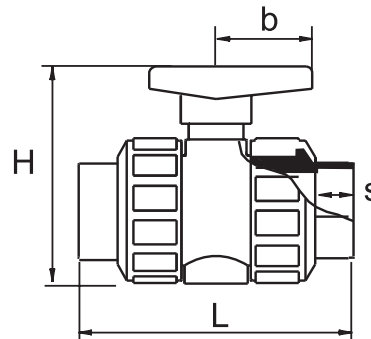
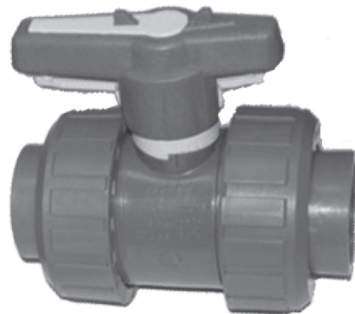
Size		Dimensions				SDR 7 / PN 16 / 230 PSI
mm	inch	L	S	k	t	Part Number
20	1/2	10	5	7	5	5835005
25	3/4	9	5	7	4	5835007
32	1	10	5	7	5	5835010



**BALL VALVE - NEW M1 STYLE w/ Mounting Pads\***

Size		Dimensions				Weight Lbs	SDR 7 / PN 16 / 230 PSI
mm	inch	L	b	H	H1		Part Number
20	1/2	3.88	1.57	2.93	1.30	.35	580117005
25	3/4	4.45	2.03	3.27	1.57	.53	580117007
32	1	4.84	2.03	3.37	1.71	.66	580117010
40	1-1/4	5.55	2.52	4.11	2.01	1.06	580117012
50	1-1/2	6.50	2.87	4.45	2.22	1.68	580117015
63	2	7.66	3.34	4.78	2.54	2.49	580117020

\* Available after original style is depleted.



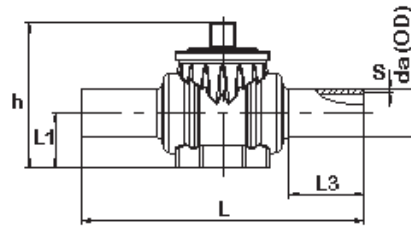
**BALL VALVE - ORIGINAL STYLE  
( BEING DISCONTINUED\*)**

Size		Dimensions				SDR 7 / PN 16 / 230 PSI
mm	inch	L	H	b	S	Part Number
25	3/4	4.370	2.126	2.165	0.630	5801007
40	1-1/4	5.433	3.031	2.559	0.807	5801012
90	3	11.22	6.47	5.20	1.538	5801030

\*While supplies last.

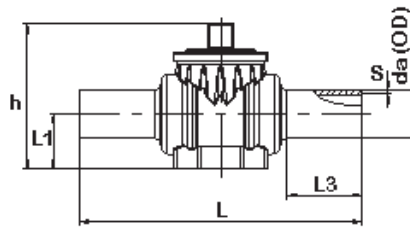
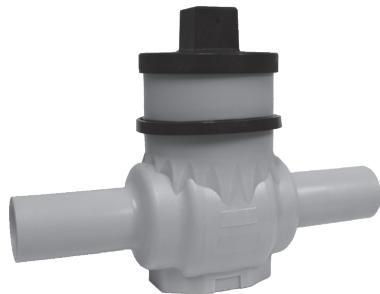
Air-Pro® ball valves sizes 20-63mm are rated 230psi.





**PE BALL VALVE WITHOUT GEAR**

Size		Dimensions					SDR 11 / PN 10 / 160 PSI	
mm	inch	L	L1	L3	h	S	Part Number	
32	1	11.26	1.81	3.15	5.91	0.118	5881010	
50	1-1/2	12.91	2.45	3.74	7.87	0.181	5881015	
63	2	16.14	3.03	4.53	8.86	0.228	5881020	
90	3	20.51	3.94	5.32	10.83	0.323	5881030	
110	4	23.43	4.80	5.91	12.28	0.394	5881040	



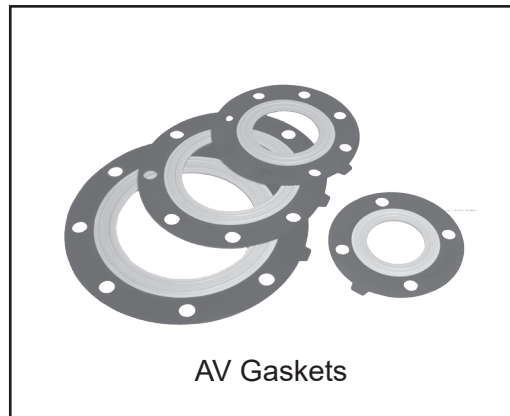
**PE BALL VALVE WITH GEAR\***

Size		Dimensions					SDR 11 / PN 10 / 160 PSI	
mm	inch	L	L1	L3	h	S	Part Number	
63	2	16.14	3.03	4.53	8.86	0.228	5884020	
90	3	20.51	3.94	5.32	10.83	0.323	5884030	
110	4	23.43	4.80	5.91	12.28	0.394	5884040	
160	6	33.35	6.50	8.86	19.61	0.575	5884060	



# Piping System Accessories

Accessories



**BACKING RING\***

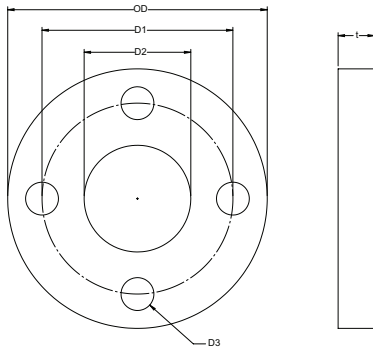


**Backing Ring**

Size		Description	PP - Grey
mm	inch		Part Number
20	1/2	ANSI 150#	5046005
25	3/4	ANSI 150#	5046007
32	1	ANSI 150#	5046010
40	1-1/4	ANSI 150#	5046012
50	1-1/2	ANSI 150#	5046015
63	2	ANSI 150#	5046020
75	2-1/2	ANSI 150#	5046025
90	3	ANSI 150#	5046030
110	4	ANSI 150#	5046040
160	6	ANSI 150#	5046060
200/225	8	ANSI 150#	5046080
250/280	10	ANSI 150#	5046100
315	12	ANSI 150#	5046120

\*DIN bolt pattern PN 10/16 available.  
 \*PP black UV resistant.

Accessories



Size		Dimensions						
mm	inch	OD	D1	D2	D3	t	Weight	# of Bolt Holes
20	1/2	3.740	2.380	1.102	0.630	0.472	0.463	4
25	3/4	4.016	2.750	1.339	0.630	0.472	0.529	4
32	1	4.488	3.120	1.654	0.630	0.630	0.807	4
40	1-1/4	5.118	3.500	2.008	0.630	0.630	1.235	4
50	1-1/2	5.236	3.880	2.441	0.630	0.709	1.193	4
63	2	6.378	4.750	3.071	0.787	0.709	1.788	4
75	2-1/2	7.244	5.500	3.622	0.787	0.709	2.352	4
90	3	7.638	6.000	4.370	0.787	0.709	2.271	4
110	4	9.016	7.500	5.236	0.787	0.709	3.342	8
160	6	11.142	9.500	7.008	0.866	0.945	5.115	8
200/225	8	13.583	11.750	9.291	0.866	0.945	7.474	8
250/280	10	16.220	14.250	11.339	0.984	1.024	13.669	12
315	12	19.173	17.000	13.307	0.984	1.260	28.748	12

225mm (9") and 200mm (8") stub ends use 8" ANSI backing rings.  
 Consult factory for backing rings larger than 315mm (12").

**BACKING RING\***

Size		Description	PP - Black*
mm	inch		Part Number
20	1/2	ASNI 150#	5146005
25	3/4	ASNI 150#	5146007
32	1	ASNI 150#	5146010
40	1-1/4	ASNI 150#	5146012
50	1-1/2	ASNI 150#	5146015
63	2	ASNI 150#	5146020
75	2-1/2	ASNI 150#	5146025
90	3	ASNI 150#	5146030
110	4	ASNI 150#	5146040
160	6	ASNI 150#	5146060
200/225	8	ASNI 150#	5146080
250/280	10	ASNI 150#	5146100
315	12	ASNI 150#	5146120



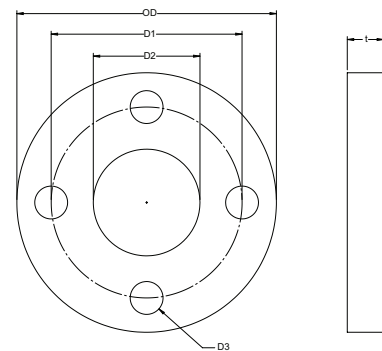
**Backing Ring**

\*DIN bolt pattern PN 10/16 available.

\*PP black UV resistant.

**Accessories**

Size		Dimensions						
mm	inch	OD	D1	D2	D3	t	Weight	# of Bolt Holes
20	1/2	3.740	2.380	1.102	0.630	0.472	0.463	4
25	3/4	4.016	2.750	1.339	0.630	0.472	0.529	4
32	1	4.488	3.120	1.654	0.630	0.630	0.807	4
40	1-1/4	5.118	3.500	2.008	0.630	0.630	1.235	4
50	1-1/2	5.236	3.880	2.441	0.630	0.709	1.193	4
63	2	6.378	4.750	3.071	0.787	0.709	1.788	4
75	2-1/2	7.244	5.500	3.622	0.787	0.709	2.352	4
90	3	7.638	6.000	4.370	0.787	0.709	2.271	4
110	4	9.016	7.500	5.236	0.787	0.709	3.342	8
160	6	11.142	9.500	7.008	0.866	0.945	5.115	8
200/225	8	13.583	11.750	9.291	0.866	0.945	7.474	8
250/280	10	16.220	14.250	11.339	0.984	1.024	13.669	12
315	12	19.173	17.000	13.307	0.984	1.260	28.748	12



225mm (9") and 200mm (8") stub ends use 8" ANSI backing rings.  
Consult factory for backing rings larger than 315mm (12").

**BACKING RING\***

Size		Description	Ductile Iron+	316 SS++
mm	inch		Part Number	Part Number
20	1/2	ANSI 150#	-	504501005
25	3/4	ANSI 150#	5048007	504501007
32	1	ANSI 150#	5048010	504501010
40	1-1/4	ANSI 150#	5048012	-
50	1-1/2	ANSI 150#	5048015	504501015
63	2	ANSI 150#	5048020	504501020
75	2-1/2	ANSI 150#	5048025	-
90	3	ANSI 150#	5048030	504501030
110	4	ANSI 150#	5048040	504501040
160	6	ANSI 150#	5048060	504501060
200/225	8	ANSI 150#	5048080	504501080
250/280	10	ANSI 150#	5048100	504501100
315	12	ANSI 150#	5048120	504501120
355	14	ANSI 150#	5048140	-
400	16	ANSI 150#	5048160	-
450	18	ANSI 150#	5048180	-
500	20	ANSI 150#	5048200	-
550	22	ANSI 150#	5048220	-
630	24	ANSI 150#	5048240	-

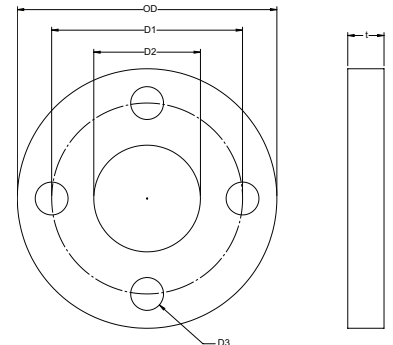


**Backing Ring**

Accessories

\*DIN bolt pattern PN 10/16 available.  
 +DI backing rings not recommended for socket stub ends.  
 ++ Contact A/A for current Stainless Steel pricing.

Size		Dimensions							# of Bolt Holes
mm	inch	OD	D1	D2	D3	t	Weight		
20	1/2	3.740	2.380	1.102	0.630	0.472	0.463	4	
25	3/4	4.016	2.750	1.339	0.630	0.472	0.529	4	
32	1	4.488	3.120	1.654	0.630	0.630	0.807	4	
40	1-1/4	5.118	3.500	2.008	0.630	0.630	1.235	4	
50	1-1/2	5.236	3.880	2.441	0.630	0.709	1.193	4	
63	2	6.378	4.750	3.071	0.787	0.709	1.788	4	
75	2-1/2	7.244	5.500	3.622	0.787	0.709	2.352	4	
90	3	7.638	6.000	4.370	0.787	0.709	2.271	4	
110	4	9.016	7.500	5.236	0.787	0.709	3.342	8	
160	6	11.142	9.500	7.008	0.866	0.945	5.115	8	
200/225	8	13.583	11.750	9.291	0.866	0.945	7.474	8	
250/280	10	16.220	14.250	11.339	0.984	1.024	13.669	12	
315	12	19.173	17.000	13.307	0.984	1.260	22.500	12	
355	14	21.000	19.750	14.800	1.130	1.380	30.000	12	
400	16	23.500	21.250	16.930	1.130	1.440	35.000	16	
450	18	25.000	22.750	18.500	1.250	1.560	39.000	16	
500	20	27.500	25.000	21.250	1.250	1.690	56.000	20	
630	24	32.000	29.500	25.000	1.380	2.130	74.000	20	



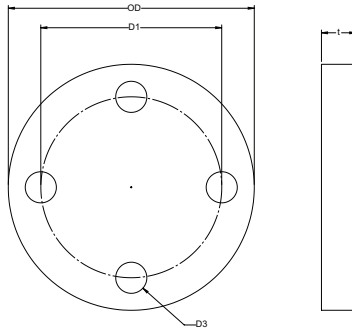
**PP BLIND FLANGE**



**PP  
Blind Flange**

Size		Description	230 PSI Part Number
mm	inch		
20	1/2	Steel Insert, ANSI 150#	5042005
25	3/4	Steel Insert, ANSI 150#	5042007
32	1	Steel Insert, ANSI 150#	5042010
40	1-1/4	Steel Insert, ANSI 150#	5042012
50	1-1/2	Steel Insert, ANSI 150#	5042015
63	2	Steel Insert, ANSI 150#	5042020
75	2-1/2	Steel Insert, ANSI 150#	5042025
90	3	Steel Insert, ANSI 150#	5042030
110	4	Steel Insert, ANSI 150#	5042040
160	6	Steel Insert, ANSI 150#	5042060
200	8	Steel Insert, ANSI 150#	5042080
250	10	Steel Insert, ANSI 150#	5042100
315	12	Steel Insert, ANSI 150#	5042120

**Accessories**



Size		OD	D1	D3	t	Weight (lbs)	# of Bolt Holes
mm	inch						
20	1/2	3.740	2.380	0.630	0.472	0.569	4
25	3/4	4.016	2.750	0.630	0.472	0.750	4
32	1	4.488	3.120	0.630	0.630	1.118	4
40	1-1/4	5.118	3.500	0.630	0.630	1.614	4
50	1-1/2	5.236	3.880	0.630	0.709	1.775	4
63	2	6.378	4.750	0.787	0.709	2.690	4
75	2-1/2	7.244	5.500	0.787	0.709	3.400	4
90	3	7.638	6.000	0.787	0.709	4.057	4
110	4	9.016	7.500	0.787	0.709	6.504	8
160	6	11.142	9.500	0.866	0.945	11.244	8
200	8	13.583	11.750	0.866	0.945	17.461	8
250	10	16.220	14.250	0.984	1.024	33.400	12
315	12	19.173	17.000	0.984	1.260	63.493	12

### AV Gaskets

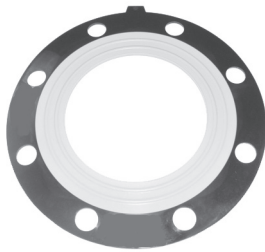
Please consult current Valve List Price book to ensure the list prices on all AV gaskets are current. Current Valve Price book supersedes this pricing.



**EPDM**  
Durometer 65-70

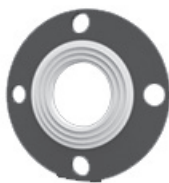


**PVDF**  
Durometer 83-85



**PTFE**  
Durometer 95-100

**CT GASKETS -PTFE\***



**PTFE**

\* Non stock-special order

### AV Gaskets - EPDM

Size	Description	Part Number
1/2"	EPDM	3113005
3/4"	EPDM	3113007
1"	EPDM	3113010
1-1/4"	EPDM	3113012
1-1/2"	EPDM	3113015
2"	EPDM	3113020
2-1/2"	EPDM	3113025
3"	EPDM	3113030
4"	EPDM	3113040
6"	EPDM	3113060
8"	EPDM	3113080
10"	EPDM	3113100
12"	EPDM	3113120

### AV Gaskets - PVDF

Size	Description	Part Number
1/2"	PVDF	3115005
3/4"	PVDF	3115007
1"	PVDF	3115010
1-1/2"	PVDF	3115015
2"	PVDF	3115020
3"	PVDF	3115030
4"	PVDF	3115040
6"	PVDF	3115060
8"	PVDF	3115080
10"	PVDF	3115100

### AV Gaskets - PTFE

Size	Description	Part Number
1/2"	PTFE	3114005
3/4"	PTFE	3114007
1"	PTFE	3114010
1-1/4"	PTFE	3114012
1-1/2"	PTFE	3114015
2"	PTFE	3114020
2-1/2"	PTFE	3114025
3"	PTFE	3114030
4"	PTFE	3114040
6"	PTFE	3114060
8"	PTFE	3114080
10"	PTFE	3114100
12"	PTFE	3114120

General grade, available cleaned and bagged.

Size		Description	Part Number
mm	inch		
355	14	ANSI 150#	3116140
400	16	ANSI 150#	3116160
450	18	ANSI 150#	3116180
500	20	ANSI 150#	3116200
630	24	ANSI 150#	3116240

Accessories

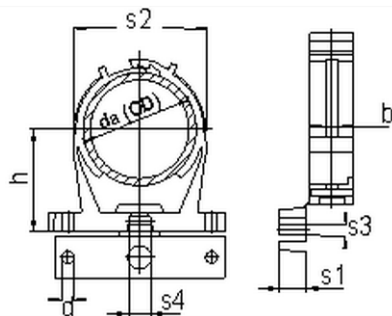




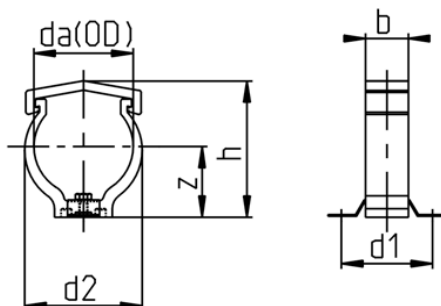
**PIPE CLIPS**

Size		Description	Part Number
mm	inch		
20	1/2	Snap Clips	5349005
25	3/4	Snap Clips	5349007
32	1	Snap Clips	5349010
40	1-1/4	Snap Clips	5349012
50	1-1/2	Snap Clips	5349015
63	2	2 Piece Clip	5246020
75	2-1/2	2 Piece Clip	5246025
90	3	2 Piece Clip	5246030
110	4	2 Piece Clip	5246040
160	6	2 Piece Clip	5246060
200	8	2 Piece Clip	5246080
225	9	2 Piece Clip	5246090

**Accessories**



Size		h	s1	s2	s3/d	s4	b
mm	inch						
20	1/2	1.06	0.24	1.14	0.26	0.35	0.55
25	3/4	1.18	0.40	1.34	0.26	0.35	0.63
32	1	1.24	0.45	1.54	0.26	0.35	0.63
40	1-1/4	1.46	0.55	1.97	0.26	0.35	0.69
50	1-1/2	1.61	0.59	2.20	0.26	0.35	0.79



Size		z	d1	d2	h	b
mm	inch					
63	2	2.04	2.91	3.07	3.74	1.16
75	2-1/2	2.40	3.23	3.70	4.41	1.57
90	3	2.63	3.22	4.25	5.03	1.57
110	4	3.14	3.22	5.39	5.98	1.57
160	6	4.56	4.33	7.24	8.54	2.36
200	8	5.82	4.33	9.37	10.50	2.36

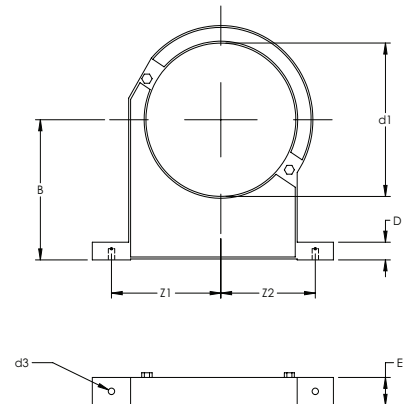


**PIPE CLIPS**

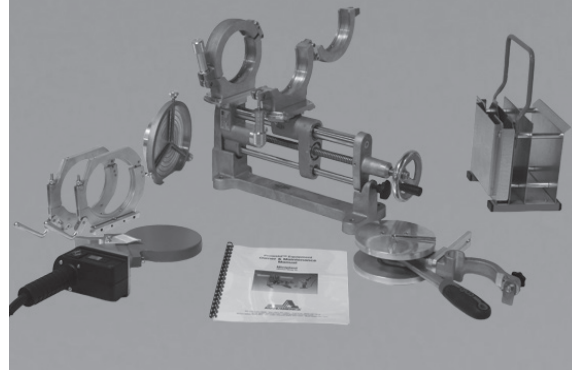
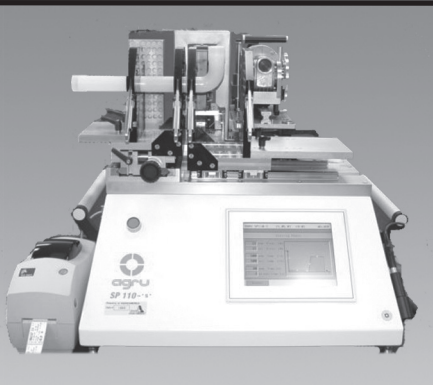
Size		Description	Part Number
mm	inch		
250	10	Snap Clips	5350100
280	11	Snap Clips	5350110
315	12	Snap Clips	5350120
355	14	Snap Clips	5350140
400	16	Snap Clips	5350160

10-16" pipe clips are special order.

Size		B	D	E	d3	Z1	Z2
mm	inch						
250	10	7.88	0.98	1.57	0.51	7.19	5.61
315	12	8.86	0.98	1.57	0.51	8.6	6.75
355	14	10.12	1.18	1.97	0.67	10.87	8.27
400	16	11.34	1.18	1.97	0.67	11.85	9.06



# Welding Equipment

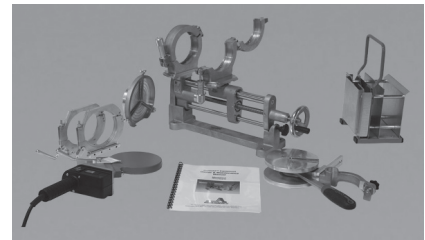


**Another  
Corrosion  
Problem  
Solved.™**

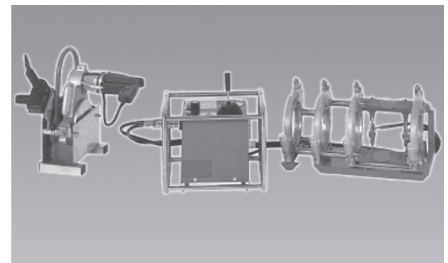


**Welding Equipment Purchase List Prices**

Machine Type	Part Number
<b>Industrial Welding Equipment</b>	
Miniplast® Shop 4	5730000
Miniplast® Electric Planer	5706000
Maxiplast® Shop 6	5622000
Shop 12	5722000
Shop 12 Hydraulic	5790000
<b>Trench Welding Equipment</b>	
Field 6	5792000
Field 10	5793100
Field 12	5793000
Field 12 Compact	5793002
Field 12 IPS	5793001
Field 14	5793140
Field 20	5676000
Field 24	5677000
<b>Electrofusion Welding Equipment</b>	
Polymatic Fusion	5830000
XTR400	5830001
<b>Socket Welding Equipment</b>	
Hand Socket 2"	5687001
Hand Socket 2" w/ temperature control	5687002
4" Hand Socket Welder	5687004
Bench Socket 2"	5711200
Bench Socket 4"	5711000
SmartFAB Bench Socket	5711082
Spider Socket	5687111
Remote Socket Welder	5687222
<b>Accessories</b>	
Hot Air Welder	5638000
Hot Air Welder w/ Triangular Tip	5638005
Extrusion Gun	5650000
SME-1 Beveller	5686003
Rotate Scraper 25-110	5831110
Rotate Scraper 90-225	5832225
Hornet Side Saddle	5688100
Internal Debeader	5860300
External Debeader	5861250
Ultra Sonic Leak Detection Gun	5794000



**Miniplast® Shop 4**



**Field 12 Trench (W4900)**

Welding

*Please refer to Asahi's Welding Equipment Catalog for all power requirements.*

### Welding Equipment Rental Rates

Machine Type	Type	Part #
Miniplast®	Butt	9730000
Miniplast® Electric Planer	Butt	9706000
Maxiplast® 6	Butt	9622000
Halar 6	Butt	9773000
Shop 12	Butt	9722000
Shop 12 Hydraulic	Butt	9790000
Field 6	Butt	9792000
Field 10	Butt	9793100
Field 12	Butt	9793000
Field 12 (IPS)	Butt	9730001
Field 12 Compact	Butt	9793002
Field 14	Butt	9793140
Field 20	Butt	9676000
Field 24	Butt	9677000
SPA Datalogger (for 6" and 12" tool)	Butt	9793999
Polymatic Fusion	Electrofusion	9830000
XTR400	Electrofusion	9830001
Hand Socket 2"	Socket	9687001
Hand Socket 4"	Socket	9687004
Bench Socket 4"	Socket	9711000
SmartFAB Bench Socket	Socket	9711082
Spider Socket	Socket	9687111
Remote Socket Welder	Socket	9687222
Hot Air Welder	Hot Air	9638000
Hot Air Welder w/ Triangular Tip	Hot Air	9638005
Extrusion Gun	Hot Air	9650000
Hornet Side Saddle	Accessories	9688100
Rotate Scraper 25-110	Accessories	9831110
Rotate Scraper 90-225	Accessories	9832225
Internal Debeader	Accessories	9860300
External Debeader	Accessories	9861250
Miniplast®/Halar® Mirror	Accessories	9762040
1 x 3 Annular Mirror	Accessories	9615134
2 x 4 Annular Mirror	Accessories	9731420
3 x 6 Annular Mirror	Accessories	Inquire
4 x 8 Annular Mirror	Accessories	Inquire
6 x 10 Annular Mirror	Accessories	Inquire
8 x 12 Annular Mirror	Accessories	Inquire
Leak Detection Gun	Accessories	9794000

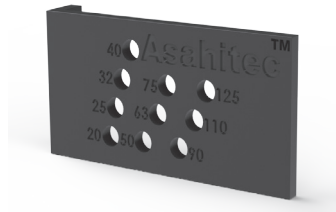




**Heater Bushings**  
 Type A is for Asahitec™  
 Type B is for Air-Pro®

**SOCKET TYPE A & B HEATER BUSHINGS**

Size		TYPE A Heater Bushings	TYPE B Heater Bushings
mm	inch	Part Number	Part Number
20	1/2	825797005	5797005
25	3/4	825797007	5797007
32	1	825797010	5797010
40	1-1/4	825797012	5797012
50	1-1/2	825797015	5797015
63	2	825797020	5797020
75	2-1/2	825797025	5797025
90	3	825797030	5797030
110	4	825797040	5797040



**Depth Gauge**

**SOCKET DEPTH GAUGES**

TYPE A -ASAHITEC™	TYPE B - PROLINE®
Part Number	Part Number
5687888	5687999

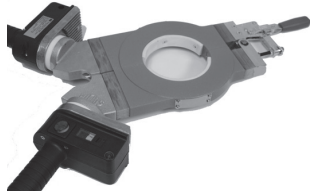


**Planer Blades**

**TOOL PLANER BLADES**

Tool	PC/Set	Part Number
Minplast® 4	2 pc/set	5720002
Maxiplast® 6	4 pc/set	5622005
Shop 12 (W2500)	4 pc/set	5609120
Shop 12 Hydraulic	4 pc/set	5761140
Field 6 (W4400)	2 pc/set	5761060
Field 10	2 pc/set	5761110
Field 12 (W4900)	2 pc/set	5761120
Field 14	4 pc/set	5761140
Field 20 (W5500)	4 pc/set	5761130
Field 24 (W6100)	4 pc/set	5761150
Bench Socket (W3500) Beveller Blade	1 pc/set	5711001
Polymatic Fusion Scraper Blade	1 pc/set	5831000

## SPECIALTY HEATING MIRRORS



**Split Mirror**

Description	Part Number
<b>Miniplast®</b>	
1x3 Annular Mirror	5615134
2x4 Annular Mirror	5731420
4 Halar® Special Coating	5762040
<b>Maxiplast®</b>	
3x6 Annular Mirror	5622360
6 Halar® Special Coating	5622026
<b>Shop 12 (W2500)</b>	
3x6 Annular Mirror	5722360
4x8 Annular Mirror	5722480
6x10 Annular Mirror	5722610
8x12 Annular Mirror	5616660
12 Halar® Special Coating	6877003



**Hot Air Welder**

## HOT AIR WELDER 700 R

Description	Part Number
Round Tip	5641000
Combo Speed/taking Tip (5/32)	5642000
Tri-rod (Triangular Tip)	5642755
Spare Heating Unit	5645000



# Peel Remove Edge Plane

Natural oxidation occurs on polyolefin thermoplastics and must be removed in order to achieve the best bonding between pipe and socket fittings. Asahi's PREP tool effortlessly removes oxidation while planing and adds a bevel to the insertion face of the pipe. An added benefit of the one-step process is the marking of the desired insertion depth.

**Features**

- Quickly "PREP" pipe for socket welding
- Easy to use, impossible to misuse
- Marks insertion depth directly on pipe
- Maintenance-free operation
- Completely removes surface oxidation from PE, PP
- Reduces installation time with only one operation
- In accordance with DVS and ASTM Type B socket standards

**PREP TOOL**

Description	Part Number
20-63mm Kit	581156000

**Complete Kit includes:**

- 20-63mm PREP tool with blades
- Manual handles (2 piece)
- Driver nut
- Storage case

**ACCESSORIES**

Description	Part Number
Handles (2 pc)	581155045
Driver Nut	581155042
Screw (1pc)	581155001



**HAND UNIT AND SPARE BLADES**

Size		Hand Unit	Spare Blades (1 set = 3 pc)
mm	inch	Part Number	Part Number
20	1/2	581156005	581155006
25	3/4	581156007	581155008
32	1	581156010	581155011
40	1-1/4	581156012*	581155013
50	1-1/2	581156015*	581155016
63	2	581156020*	581155021

\*These sizes include 2 piece handle set.



# Freight Policy Return Policy Warranty

## Standard Freight Policy Valves, Pipe, Fittings, & Equipment

Freight will be allowed on the following orders:

1. \$ 3,000.00 Net or greater for valves.\*
2. \$ 7,500.00 Net or greater for single wall pipe and fittings.
3. \$ 5,000.00 Net or greater for actuators only.

\* Combined orders of valves and pipe must meet requirements of pipe orders to qualify for freight allowed.

Freight will be allowed on the following orders for Alaska, Hawaii, and Puerto Rico:

1. \$ 3,500.00 Net or greater for valves.
2. \$ 25,000.00 Net or greater for single wall pipe and fittings.

The following shipments are NOT freight allowed:

1. International orders
2. All HDPE products excluding Air-Pro, Chem Proline.
3. Pipe Coils
4. Rental machines
5. Prefabricated pipe spools
6. EM-Technik products
7. Dymatrix specialty valves
8. Polytetra heat exchangers & heaters
9. All Dual wall pipe and fitting orders
10. Leak detection equipment

#### NOTES:

- All truck shipments are via common carrier and are to be selected by Asahi/America, Inc.
- Selection of alternate carriers is negotiable between interested parties and Asahi/America, Inc.
- Freight charges for expedited portions of freight allowed shipments are the responsibility of others.
- Freight charges on freight allowed backorders will be paid by Asahi/America, Inc.
- Freight for add-ons and releases will not be allowed.
- Returns of rental equipment must be prepaid.
- Freight will not be allowed on oversized loads, and non-standard lengths of pipe, etc.
- International orders must include contact name, telephone or fax number, and international freight account number.

#### Terms and Conditions

**Shipments:** Asahi/America will not be liable for any delay in performance of orders or contracts, or in delivery of shipment of goods, or for any damage suffered by buyer by reason of such delay performance, when such delay is directly or indirectly caused by acts of God, war, labor difficulties, shortage of materials, or supplies beyond its control. Asahi/America reserves the right to discontinue products and make changes in products offered at any time.

**Claims:** All claims must be made in writing and received by Asahi/America within 10 days after receipt of merchandise. If a shipment is received in damaged condition, a claim must be filed with the delivering carrier and noted on the freight bill before you accept the merchandise.

**Returns and Cancellations:** Refer to our policy on next page.

**Terms:** 2% 15 days. Net 30 days. An interest charge of 1-1/2% percent per month (an annual rate of 18%) will be charged in states where legal on the unpaid balance owed together with cost of collection including reasonable attorney's costs.

**Minimum Billing Charge:** Asahi/America will charge a \$75.00 net minimum order requirement on all orders. Any tax or duty imposed by any government will be added to the sales price.

## Return Merchandise Policy

EFFECTIVE 07/01/06

Asahi/America, Inc., (A/A) will authorize the return of product providing guidelines are adhered to as follows.

---

### Canceled Orders

A/A will accept the cancellation of Purchase Orders (PO) with no restocking charges under the following conditions:

- A/A has not started production of manufactured products.
- A/A has not placed a purchase order to our vendors for non-stock product or custom product.
- A/A has not already, picked, packaged and or shipped the product.

Cancellation of orders that do not meet the above conditions may be approved under special consideration and will be subject to a minimum 30% restocking charge, or cancellation charge.

---

### Authorized Returns

A/A will authorize the return of product with a minimum 30% restocking charge under the following conditions.

- Product must have been purchased within the last six months.
- Product must be considered stock item by A/A.
- Product must be in resellable condition and in original packaging..
- Pipe is non-returnable
- Fabricated items and machined items are non-returnable
- Large quantities of line items are subject to approval

---

### Product Evaluations

A/A will authorize the return of product for evaluation upon completion of the RMA form. (See enclosure)

- A/A, upon completion of the evaluation, will repair, replace, or issue a credit for the defective product if it is determined that the cause of failure is the responsibility of A/A. A/A retains the sole right to determine the correct course of action.
- A/A will notify the customer if it is determined that the cause of failure is due to normal wear and tear after the expiration of the warranty, misapplication, or improper use. In the event that the failure is not the responsibility of A/A the customer is to determine the corrective action that will be taken. A/A will not proceed with a repair or replacement until a purchase order is supplied by the customer. The purchase order must cover all expenses incurred by A/A.

---

### Freight

Customer is responsible for all freight costs associated with a return that is not directly attributed to an A/A error or product failure covered under warranty. All returns must be sent prepaid; any collect shipments will be refused and returned to the Customer.

- A/A will be responsible for all standard freight costs for product evaluations where it is determined that the cause of failure is the responsibility of A/A.

## Return Merchandise Policy (continued)

### Procedures

A/A will process all RMAs within four (4) weeks of receipt of the product providing the following procedures were followed. Please note; A/A is not responsible for any product that is shipped to our facilities without a completed RMA form. **A/A will not process returns that are not accompanied by an authorized RMA number, and product may be returned to the Customer at the customer's expense.**

All correspondence must be made directly to our RMA department.

Telephone Numbers: 1-800-343-3618 ext. 4543

1-781-388-4543

Fax Number 1-800-426-7058

E-mail [RMA@Asahi-America.com](mailto:RMA@Asahi-America.com)

RMA form must be filled out with all relevant information and forwarded to A/A's RMA department. The form must include the following minimum information:

- Original PO #, Original Invoice #, Original Order #.
- Supply itemized list of proposed return with A/A part numbers.
- Specify reason for return.

Upon successful completion of the RMA form and preliminary review, A/A will assign an RMA number and forward to the customer. A/A may elect to inspect product on site prior to issuing an RMA number.

Customer must properly package the product. The RMA number must be visible on all packages and indicated on the packing list, and arrange shipment of the product to A/A.

Customer must insure that product is returned in resellable condition in original packaging excluding product that is returned for repair or evaluation.

Customer must insure that all product has been decontaminated and does not present a health or safety problem to anyone that handles it.

A/A will notify customer of any discrepancies with regards to quantity and/or quality of the returned product.

A/A will process credit upon completion of a successful inspection of the returned product.

Product returned for evaluation will follow the above guidelines with the following exception.

A resolution to the evaluation must be agreed upon prior to the repair/replacement/credit of the product. The customer will have a two-week period to act upon A/A's resolution to the evaluation. A/A will return the product to the customer at the customer's expense, if no response is forwarded within this time frame. The customer, prior to the completion of the repair, must place a purchase order if it is determined that the failure is proven not to be the responsibility of A/A.

A/A will provide a full report of product returned for evaluation upon written request.

### Lost/Damaged Shipments

Damaged shipments and shortages must be signed and acknowledged by the carrier's driver. All claims for lost or damaged shipments must be made directly by the customer to the delivering carrier at time of delivery.

A/A's Customer Service Department must be notified in writing within 10 days of receipt of orders that appear to be short shipped by our shipping department. A/A will validate this claim through weight calculations and other means available. Customer's requests for proof of delivery by A/A must be made within 30 days of receipt of invoice. After 30 days, the product will be considered as delivered.

### TERMS AND CONDITIONS

1. Asahi/America, Inc. ("Asahi") hereby gives notice of its objection to any different or additional terms and conditions except for any such items and conditions as may be expressly accepted by it in writing. The terms and conditions herein are the final expression of the parties' agreement and shall supersede any provisions, terms and conditions contained on any confirmation order or other writing buyer may give or receive and rights of the parties shall be governed exclusively by the terms and conditions hereof.
2. Buyer's confirmation is accepted for merchandise selection purpose only. All orders are subject to acceptance by Asahi at its Lawrence, Massachusetts office and Asahi reserves the right to reject any order in whole or in part without incurring any liability to buyer or any branch or division thereof for such order as may be rejected. Asahi shall have the right at its discretion to limit any credit to be extended hereunder or to require payment before delivery. In the event Asahi should be unable to manufacture or decide not to manufacture any product ordered, Asahi shall notify the buyer, but shall not be liable for any non-delivery of such merchandise. Buyer shall, however, accept delivery and pay for all other merchandise that is included on that order.
3. An order once placed with and accepted by Asahi cannot be cancelled or modified by buyer without Asahi's written consent which, if granted, will be subject to terms that will indemnify Asahi against loss.
4. Asahi does not accept in-store completion dates and cancellation dates will not be accepted on made-to-order product once the order has been put into production.
5. Asahi orders (once accepted) may have backorders when necessary. Backorders are not subject to cancellation by buyer unless 30 days past scheduled delivery date.
6. Delivery shall occur and risk of loss shall pass upon delivery of the merchandise sold hereunder to the carrier. Asahi will use buyer's routing guide or instructions after approval from Asahi's Traffic Department. All customers routings are F.O.B. shipping point. Asahi generates one invoice per shipment and does not include invoices with shipment.
7. The buyer agrees that no shipment from Asahi will be returned from a carrier unless damage or shortages are acknowledged and signed by the carrier's driver. All claims for lost or damaged shipments must be made directly by buyer to the delivering carrier at time of delivery. Shortages due to packing errors must be reported in writing within 10 days of receipt to Asahi's Customer Service Department. Adjustments can be made only if reported to Asahi in writing within that time. Buyer's requests for proof of delivery by Asahi must be made within 30 days of receipt of invoice. After 30 days, the merchandise will be considered as delivered.
8. Written approval from Asahi must be obtained before returning any merchandise of any quantity. Approval will be granted only to return unused, resalable merchandise shipped as a result of Asahi error. Upon approval by Asahi, merchandise must be returned within 30 days. All returns must be sent prepaid with return authorizations numbers visible on the outside carton. Returns not carrying return authorization numbers will be refused delivery by Asahi and returned to sender at senders expense.
9. Buyer agrees that it will not impose upon Asahi any handling, service or any other charges of that nature whatsoever.
10. Asahi will not be liable for any delay in performance of orders or contracts, or in delivery or shipment of goods, or for any damage suffered by buyer by reason of such delay in performance of orders or contracts, or in delivery or shipment of goods, or for any damage suffered by buyer by reason of such delay, when such delay is directly or indirectly caused by or in any manner arises from fire, flood, accident, riot, act of God, war, governmental interference or embargoes, strikes, labor difficulties, shortage of labor, fuel, power, materials, or supplies, transportation delays or any other cause or causes (whether or not similar in nature to any of these hereinbefore specified) beyond its control. Asahi reserves the right to discontinue product lines and make changes in products offered at any time.
11. Asahi products are intended to be sold in buyer's outlet(s) as addressed on this order. All branches must be separately approved. Transshipping of merchandise to approved branches of an approved account may not take place without the written approval of Asahi.
12. Asahi warrants only that the goods described on the face of the purchase order conform to Asahi's customary quality standards for such goods. Otherwise ASAHI MAKES NO WARRANTIES, EXPRESS OR IMPLIED, WHICH EXTEND BEYOND THE DESCRIPTION ON THE FACE OF THE ORDER. Without limiting the generality of the foregoing, ASAHI SPECIFICALLY EXCLUDES AND DISCLAIMS ANY IMPLIED WARRANTY OF MERCHANTABILITY OR FITNESS FOR A PARTICULAR PURPOSE, APPLICATION OR USE AND ANY IMPLIED WARRANTY AGAINST CLAIMS BY THIRD PARTIES FOR INFRINGEMENT AND THE LIKE. This warranty constitutes the only warranty given, superseding all prior or contemporaneous oral or written representations. No Seller, employee or any other person is authorized to modify this warranty or make any warranty in addition to those set forth herein.
13. ASAHI FURTHER MAKES NO WARRANTIES, EITHER EXPRESSED, IMPLIED OR STATUTORY, INCLUDING ANY IMPLIED WARRANTY OF MERCHANTABILITY OR FITNESS FOR A PARTICULAR PURPOSE, APPLICATION OR USE AND ANY IMPLIED WARRANTY AGAINST CLAIMS BY THIRD PARTIES FOR INFRINGEMENT AND THE LIKE FOR PRODUCTS ORDERED TO CUSTOM SPECIFICATIONS BY THE BUYER, THAT ARE EXPERIMENTAL, DEVELOPMENTAL OR PROTOTYPE PRODUCTS.
14. Buyer's remedies in the event of any breach by Asahi shall be exclusively limited to the return of the goods and repayment of the price. These remedies are the purchaser's exclusive remedies for breach of warranty. In no event shall buyer be entitled to claim any special, incidental, punitive or consequential damages of any nature, including, but not limited to, loss of anticipated profits and injury to persons or property. Provided further, Seller shall not be responsible for any warranty for its products integrated into systems designed or specified by third parties without the specific written authority of the Seller.
15. Payment terms shall be as set forth on the face of Asahi's invoice to buyer. Terms adjustment will be made upon request of buyer only if shipment is made more than 7 days in advance of buyer's requested ship date. Discounts will not be allowed on late payments. Discounts are applicable on merchandise only and not on freight or service charges. An interest charge of 1 1/2% percent per month (an annual rate of 18%) will be charged in states where legal on the unpaid balance owed together with cost of collection including reasonable attorney's costs. Asahi will charge a \$75.00 minimal order requirement on all orders. Any tax or duty imposed by any government will be added to the sales price.
16. Any waiver of any of these terms of sale by Asahi shall not be construed to be a waiver of the terms and conditions hereof as applied to subsequent transactions.
17. Any controversy or claim arising out of or relating to this agreement or that breach thereof shall be governed by the laws of the Commonwealth of Massachusetts. Any action or suit must be commenced within one year following delivery of the goods.

Note: Current Terms and Conditions may be found online at the following address  
<http://asahi-america.com/support/warranty-policy>



## Asahitec

### WARRANTY AND LIMITATIONS

1.1 These Limited Representations and Warranties are applicable to all end-customers purchasing Asahitec pipe and fittings manufactured by Bänninger Kunststoff-Produkte GmbH. Asahi warrants that for the warranty period, the products will be free from defects in materials and workmanship under normal use, and will conform to manufacturer published specifications. The right is reserved to deviate from published specifications due to the latest innovations and improvements in function, design and materials of the products. This warranty is subject to the proper storage, handling, transportation, installation, use and maintenance of Asahitec products by both the authorized installer and final customer. This warranty does not include defects due to normal wear and tear or deterioration.

1.2 Customer shall provide written notice of any non-conformities or visible defects regarding the products within 14 business days of discovery. Failure to provide prompt notice shall void this warranty.

1.3 The sole obligation under the foregoing warranty is, at Asahi's discretion, to repair, to replace or exchange the product or to refund the purchase price. Any repaired, replaced or exchanged products shall be subject to the warranty set forth in 1.1 following the repair, the replacement or the exchange. If the Company has received notification from customer, and no defects of the product could be discovered, customer shall bear the costs that the company incurred as a result of the notice.

1.4 The company also makes no warranty that the custom products manufactured according to customer's specification do not infringe the intellectual property or other proprietary rights of any third party and customer is solely responsible for assuring that such products do not so infringe.

1.5 The "warranty period" for Asahitec pipe and fittings shall be the greater of (a) a period of one (1) year from the invoice date and (b) if a final pressure test is successfully completed, documented and submitted to Asahi then the warranty period shall be ten (10) years from the date of certification. Installation of Asahitec products must be performed by a properly trained installer as authorized by Asahi/America. Authorization to install Asahitec products will require the installer to possess a valid Asahitec welding certification performed and authorized on well-maintained equipment. The "warranty period" for Asahitec valves shall be three (3) years from the manufacturing date.

1.6 The Company does not authorize any person or party to assume or create for it any other obligation or liability in connection with the products except as set forth herein.

1.7 All requests and notices under this warranty shall be directed to:

Asahi/America, Inc.  
Attn: Customer Service  
655 Andover Street,  
Lawrence, MA 01843  
Tel: 781-321-5409 • Fax: 978-685-3010

## ALL OTHER PIPE WARRANTY AND LIMITATIONS

1.1 These Limited Representations and Warranties are applicable to all end-customers purchasing Asahitec pipe and fittings manufactured by AGRU - Kunststofftechnik GmbH and are subject to Asahi's standard Terms and Conditions of sale. Asahi warrants that for the warranty period, the products will be free from defects in materials and workmanship under normal and proper use, and will conform to manufacturer published specifications. This warranty is subject to the proper storage, handling, transportation, installation, use and maintenance of the products by both the installer and final customer. This warranty does not include defects due to normal wear and tear or deterioration.

1.2 Customer shall provide written notice of any non-conformities or visible defects regarding the products within 14 business days of discovery. Failure to provide prompt notice shall void this warranty.

1.3 The sole obligation under the foregoing warranty is, at Asahi's discretion, to repair, to replace or exchange the product or to refund the purchase price. Any repaired, replaced or exchanged products shall be subject to the warranty set forth in 1.1 following the repair, the replacement or the exchange. If the Company has received notification from customer, and no defects of the product could be discovered, customer shall bear the costs that the company incurred as a result of the notice.

1.4 The company also makes no warranty that the supply of custom fabricated products manufactured according to customer's specification do not infringe upon the intellectual property or other proprietary rights of any third party and customer is solely responsible for assuring that such products do not so infringe.

1.5 The "warranty period" for all Pipe and Fittings shall be 1 year from the date of invoice. Installation of Pipe and Fitting products must be performed by a properly trained and qualified installer utilizing proper welding equipment.

1.6 The Company does not authorize any person or party to assume or create for it any other obligation or liability in connection with the products except as set forth herein.

1.7 All requests and notices under this warranty shall be directed to:  
Asahi/America, Inc.

Attn: Customer Service  
655 Andover Street,  
Lawrence, MA 01843

Tel: 781-321-5409 • Fax: 978-685-3010

# **Another Corrosion Problem Solved.™**

---



**ASAHI/AMERICA®**  
Your Experts in Plastics™

**655 Andover St, Lawrence, MA 01843**

**Tel: 800-343-3618; 781-321-5409**

**Direct Sales: East (800) 232-7244**  
**Central (800) 442-7244**  
**West (800) 282-7244**

**Fax: 800-787-6861**

**[www.asahi-america.com](http://www.asahi-america.com)**

**[asahi@asahi-america.com](mailto:asahi@asahi-america.com)**

---