



Pigmented Polypropylene Piping System

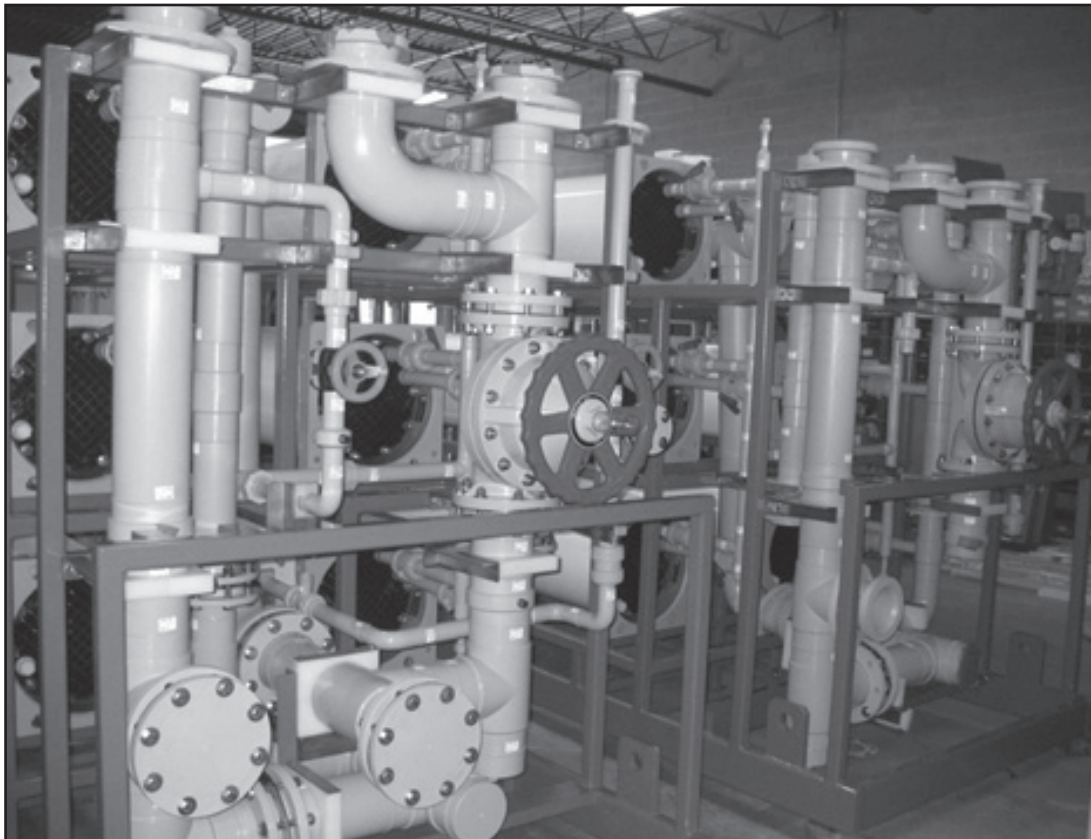


Photo courtesy of Agape Water Solutions Inc.

PP-Pure®

PP-Pure®

Pigmented Polypropylene (PP)
High Purity Piping System
REV:HP0512PP

Materials: ASTM D4101 Group 2, Class 1 pigmented polypropylene random copolymer resin. Resin shall comply with FDA Code of Federal Regulators (CFR), Title 21, Chapter 1: Section 177.1520 determining suitability for contact with foodstuff

Pipe and fittings are certified to NSF 61-G.

Pipe Production: Dimensions and tolerances shall exceed ISO 15494 requirement.

Fitting Production: Dimensions and tolerances shall exceed ISO 15494 requirement. Fittings shall be molded with a central injection gate.

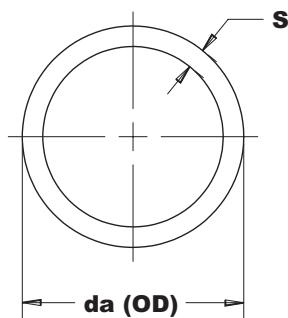
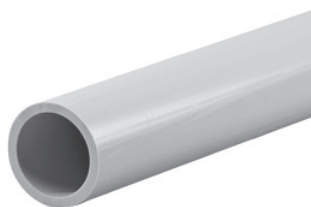
Pressure Rating: Components shall be pressure rated in accordance with ASTM D2837 and DIN 8077 for hydrostatic design basis. Components shall be manufactured to standard dimensional ratio (SDR) 11.

Based on continuous service life of 50 years at 68° F (20° C).

SDR11: 150psi (PN10)

PN = Nominal pressure in bar

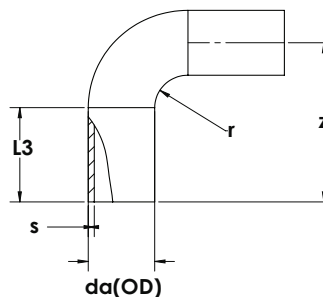
Joining: Available methods shall be according to the schedule below
DVS 2207-11 Contact Butt: 1/2" (20mm) through 12" (315mm)
DVS 2207-6 Non Contact IR: 1/2" (20mm) through 12" (315mm)
Beadless Fusion: 1/2" (20mm) through 2" (63mm)



PIPE 5 meter (16.4') lengths

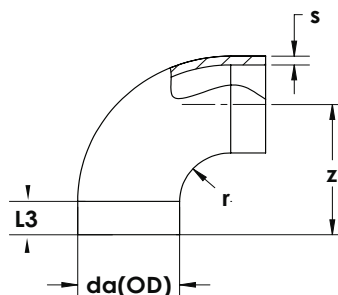
Size		Quantity per bag	SDR 11 / PN 10 / 150 PSI		
mm	inch		s	Weight (lbs/lth)	Part Number
20	1/2	5	0.075	1.21	9101005*
25	3/4	4	0.091	1.76	9101007*
32	1	3	0.114	2.87	9101010*
40	1-1/4	1	0.146	4.52	9101012
50	1-1/2	1	0.181	7.05	9101015
63	2	1	0.228	11.13	9101020
75	2-1/2	1	0.268	15.43	9101025
90	3	1	0.323	22.27	9101030
110	4	1	0.394	33.18	9101040
160	6	1	0.575	70.44	9101060
200	8	1	0.717	109.68	9101080
225	9	1	0.807	138.74	9101090
250	10	1	0.894	170.64	9101100
315	12	1	1.126	270.62	9101120

*Sold in sealed bag quantities only.
 20-32mm only sold in bagged tube quantities, 20mm 5 LTS, 25 4 LTS, 32 3 LTS



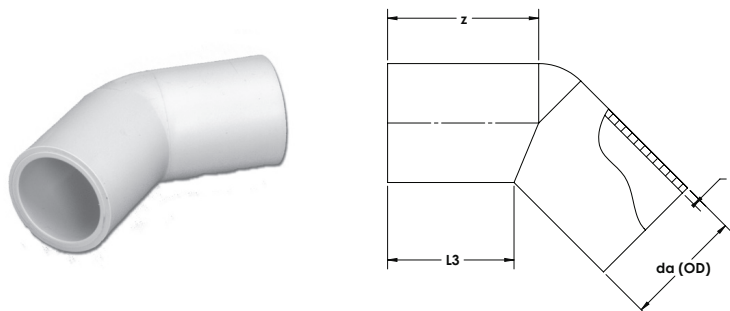
EXTENDED LEG 90 DEGREE ELBOW

Size		Dimensions				SDR 11 / PN 10 / 150 PSI	
mm	inch	s	z	r	L3	Weight (lbs)	Part Number
20	1/2	0.075	2.323	0.787	1.457	0.04	9102005
25	3/4	0.091	2.618	0.984	1.535	0.07	9102007
32	1	0.114	3.091	1.260	1.732	0.11	9102010
40	1-1/4	0.146	3.602	1.575	1.929	0.20	9102012
50	1-1/2	0.181	4.213	1.969	2.205	0.31	9102015
63	2	0.228	5.000	2.480	2.520	0.59	9102020
75	2-1/2	0.268	5.827	2.953	2.835	0.95	9102025
90	3	0.323	6.535	3.543	2.953	1.57	9102030
110	4	0.394	7.421	4.331	2.953	2.54	9102040
160	6	0.575	10.020	6.299	3.543	7.21	9102060
200	8	0.717	12.303	7.874	4.252	13.34	9102080
225	9	0.807	13.563	8.858	4.528	18.30	9102090
250	10	0.894	15.315	9.843	5.236	21.738	9102100
315	12	1.126	18.701	12.402	6.220	43.696	9102120



90 DEGREE ELBOW

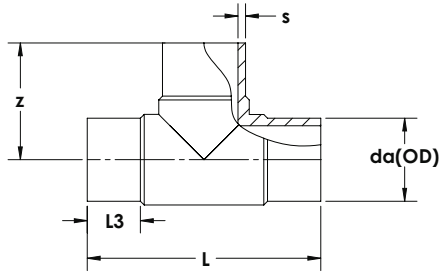
Size		Dimensions				SDR 11 / PN 10 / 150 PSI		
mm	inch	s	z	r	L3	Weight (lbs)	Part Number	List Price
250	10	0.894	12.303	7.874	4.252	13.34	9104100	746.00
315	12	1.126	13.563	8.858	4.528	18.30	9104120	1338.00
							Discount Code	A



45 DEGREE ELBOW

Size		Dimensions			SDR 11 / PN 10 / 150 PSI	
mm	inch	s	z	L3	Weight (lbs)	Part Number
20	1/2	0.075	1.732	1.535	0.02	9114005
25	3/4	0.091	1.890	1.654	0.04	9114007
32	1	0.114	2.244	1.929	0.09	9114010
40	1-1/4	0.146	2.480	2.087	0.13	9114012
50	1-1/2	0.181	2.756	2.244	0.22	9114015
63	2	0.228	3.150	2.520	0.42	9114020
75	2-1/2	0.268	3.543	2.756	0.59	9114025
90	3	0.323	4.094	3.228	0.97	9114030
110	4	0.394	4.252	3.228	1.54	9114040
160	6	0.575	6.161	4.587	4.61	9114060
200	8	0.717	6.713	4.744	7.72	9114080
225	9	0.807	7.185	4.941	10.56	9114090
250	10	0.894	8.543	6.299	14.51	9114100
315	12	1.126	10.079	6.968	27.12	9114120

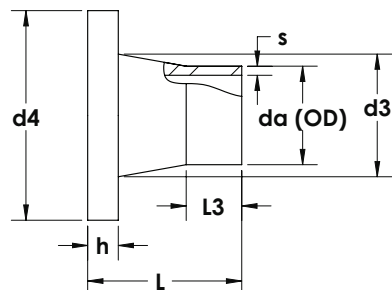
PP-Pure®



TEE

Size		Dimensions				SDR 11 / PN/10 / 150 PSI	
mm	inch	s	z	L	L3	Weight (lbs)	Part Number
20	1/2	0.075	1.339	2.677	0.689	0.04	9118005
25	3/4	0.091	1.575	3.150	0.807	0.07	9118007
32	1	0.114	1.772	3.543	0.807	0.09	9118010
40	1-1/4	0.146	1.969	3.937	0.807	0.15	9118012
50	1-1/2	0.181	2.362	4.724	0.906	0.29	9118015
63	2	0.228	2.835	5.669	0.984	0.53	9118020
75	2-1/2	0.268	2.953	5.984	0.591	0.88	9118025
90	3	0.323	4.134	8.386	1.496	1.63	9118030
110	4	0.394	4.803	9.961	2.008	2.73	9118040
160	6	0.575	6.811	13.622	2.244	6.90	9118060
200	8	0.717	7.972	15.748	2.244	11.84	9118080
225	9	0.807	8.760	17.520	2.244	18.54	9118090
250	10	0.894	9.252	18.504	2.835	23.26	9118100
315	12	1.126	10.827	21.654	3.150	42.47	9118120

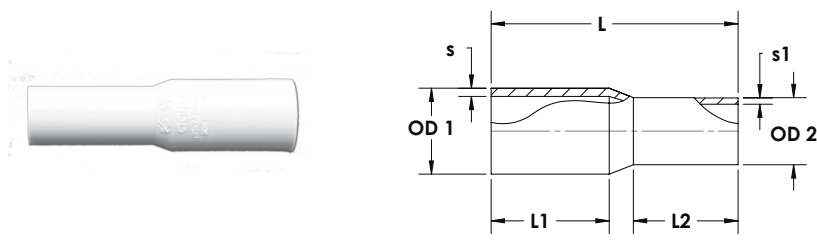




STUB END* (FLANGE ADAPTER)

Size		Dimensions							SDR 11 / PN/10 / 150 PSI	
mm	inch	da	s	L	L3	d3	d4	h	Weight (lbs)	Part Number
20	1/2	0.787	0.075	2.047	1.181	1.063	1.752	0.276	0.04	9130005
25	3/4	0.984	0.091	1.969	0.984	1.299	2.130	0.354	0.07	9130007
32	1	1.260	0.114	1.969	0.984	1.575	2.500	0.394	0.11	9130010
40	1-1/4	1.575	0.146	1.969	0.787	1.969	2.815	0.433	0.13	9130012
50	1-1/2	1.969	0.181	1.969	0.787	2.402	3.250	0.472	0.18	9130015
63	2	2.480	0.228	1.969	0.709	2.953	3.953	0.551	0.29	9130020
75	2-1/2	2.953	0.268	1.969	0.709	3.504	4.606	0.630	0.42	9130025
90	3	3.543	0.323	3.150	1.575	4.134	5.213	0.669	0.68	9130030
110	4	4.331	0.394	3.150	1.496	4.921	6.220	0.709	0.99	9130040
160	6	6.299	0.575	3.622	1.496	6.890	8.346	0.984	2.25	9130060
200	8	7.874	0.717	4.331	1.575	9.134	10.551	1.260	4.32	9130080
225	9	8.858	0.807	4.449	2.047	9.252	10.551	1.260	3.97	9130090
250	10	9.843	0.894	5.197	2.283	11.220	12.598	1.378	7.45	9130100
315	12	12.402	1.126	5.354	2.559	13.189	14.567	1.378	7.81	9130120

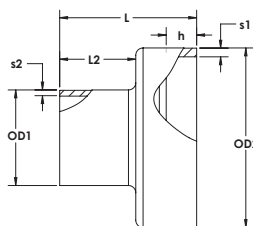
*Requires backing ring. See page 118.
9" stub end uses 8" backing ring.



CONCENTRIC REDUCER

Size		Dimensions					SDR 11 / PN 10 / 150 PSI	
mm	inch	s	L	L1	L2	s1	Weight (lbs)	Part Number
25 x 20	3/4 x 1/2	0.091	3.425	1.575	1.614	0.075	0.04	9137101
32 x 20	1 x 1/2	0.118	3.622	1.693	1.535	0.075	0.067	9137130
32 x 25	1 x 3/4	0.118	3.622	1.732	1.535	0.091	0.067	9137131
40 x 20	1-1/4 x 1/2	0.146	4.016	1.890	1.535	0.075	0.089	9137166
40 x 25	1-1/4 x 3/4	0.146	4.016	1.890	1.535	0.091	0.089	9137167
40 x 32	1-1/4 x 1	0.146	4.016	1.890	1.772	0.118	0.089	9137168
50 x 25	1-1/2 x 3/4	0.181	4.646	2.165	1.732	0.091	0.13	9137210
50 x 32	1 1/2 x 1	0.181	4.646	2.323	1.811	0.118	0.15	9137211
50 x 40	1-1/2 x 1-1/4	0.181	4.961	2.244	1.929	0.146	0.18	9137212
63 x 32	2 x 1	0.228	5.354	2.520	1.929	0.118	0.24	9137249
63 x 40	2 x 1-1/4	0.228	5.039	2.323	1.969	0.146	0.26	9137250
63 x 50	2 x 1-1-1/2	0.228	5.906	2.598	2.323	0.181	0.31	9137251
75 x 50	2-1/2 x 1-1/2	0.268	5.827	2.520	2.283	0.181	0.37	9137291
75 x 63	2-1/2 x 2	0.268	5.866	2.559	2.323	0.228	0.44	9137292
90 x 63	3 x 2	0.323	6.181	2.835	2.362	0.228	0.57	9137338
90 x 75	3 x 2-1/2	0.323	6.417	2.953	2.362	0.268	0.64	9137339
110 x 63	4 x 2	0.394	7.087	3.268	2.480	0.228	0.95	9137420
110 x 90	4 x 3	0.394	6.968	3.228	2.874	0.323	1.10	9137422
160 x 90	6 x 3	0.575	8.543	4.016	2.913	0.323	2.29	9137531
160 x 110	6 x 4	0.575	8.740	3.858	3.465	0.394	2.58	9137532
200 x 160	8 x 6	0.717	9.921	4.409	4.016	0.575	4.98	9137585
225 x 160	9 x 6	0.807	10.630	5.039	3.976	0.575	6.37	9137606
250 x 160	10 x 6	0.894	12.362	6.102	4.449	0.575	9.00	9137627
250 x 200	10 x 8	0.894	12.362	6.102	4.921	0.717	9.70	9137628
250 x 225	10 x 9	0.894	12.402	6.024	5.236	0.807	9.70	9137629
315 x 200	12 x 8	1.126	14.764	7.047	5.236	0.717	16.25	9137659
315 x 250	12 x 10	1.126	14.764	6.693	6.102	0.894	18.06	9137673



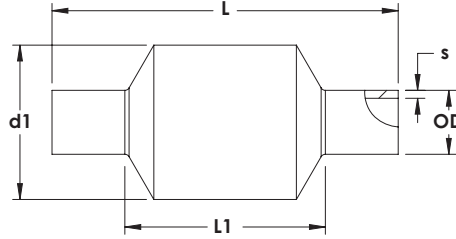
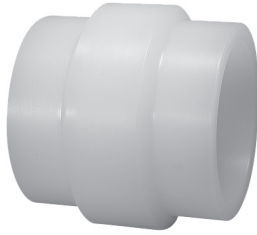


MACHINED FLUSH REDUCER*

Size		Dimensions			SDR 11*		Part Number
mm	inch	L	L2	h	s1	s2	
40 x 32	1-1/4 x 1	2.250	1.250	0.500	0.146	0.114	9148168
50 x 20	1-1/2 x 1/2	2.250	1.250	0.500	0.181	0.075	9148208
50 x 25	1-1/2 x 3/4	2.250	1.250	0.500	0.181	0.091	9148210
50 x 32	1-1/2 x 1	2.250	1.250	0.500	0.181	0.114	9148211
50 x 40	1-1/2 x 1-1/4	2.250	1.250	0.500	0.181	0.146	9148212
63 x 20	2 x 1/2	2.250	1.250	0.500	0.228	0.075	9148246
63 x 25	2 x 3/4	2.250	1.250	0.500	0.228	0.091	9148248
63 x 40	2 x 1-1/4	2.250	1.250	0.500	0.228	0.146	9148250
63 x 50	2 x 1-1/2	2.250	1.250	0.500	0.228	0.181	9148251
75 x 32	2-1/2 x 1	2.250	1.250	0.500	0.268	0.114	9148289
75 x 40	2-1/2 x 1-1/4	2.250	1.250	0.500	0.268	0.146	9148290
75 x 50	2-1/2 x 1-1/2	2.250	1.250	0.500	0.268	0.181	9148291
75 x 63	2-1/2 x 2	2.250	1.250	0.500	0.268	0.228	9148292
90 x 20	3 x 1/2	2.250	1.250	0.500	0.323	0.075	9148332
90 x 25	3 x 3/4	2.250	1.250	0.500	0.323	0.091	9148333
90 x 32	3 x 1	2.250	1.250	0.500	0.323	0.114	9148336
90 x 40	3 x 1-1/4	2.250	1.250	0.500	0.323	0.146	9148335
90 x 50	3 x 1-1/2	2.250	1.250	0.500	0.323	0.181	9148337
110 x 20	4 x 1/2	2.250	1.250	0.500	0.394	0.075	9148399
110 x 25	4 x 3/4	2.250	1.250	0.500	0.394	0.091	9148404
110 x 32	4 x 1	2.250	1.250	0.500	0.394	0.114	9148401
110 x 40	4 x 1-1/4	2.250	1.250	0.500	0.394	0.146	9148412
110 x 50	4 x 1-1/2	2.250	1.250	0.500	0.394	0.181	9148415
160 x 32	6 x 1	2.250	1.250	0.500	0.575	0.114	9148516
200 x 63	8 x 2	2.250	1.250	0.500	0.717	0.228	9148581
200 x 90	8 x 3	2.250	1.250	0.500	0.717	0.323	9148582
200 x 110	8 x 4	2.250	1.250	0.500	0.717	0.394	9148583
200 x 160	8 x 6	2.250	1.250	0.500	0.717	0.575	9148585

*Machined items are non-returnable / non-cancelable.

*Consult Asahi/America for pressure rating.

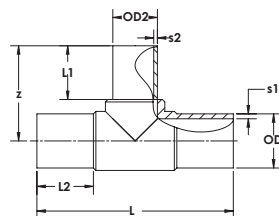


INSTRUMENTATION FITTING*

Size		Description	Dimensions						SDR 11 / PN 10 / 150 PSI	
mm	inch		da (OD)	d1	S	NPT	L	L1	Weight (lbs)	Part Number
20	1/2	Solid	0.790	1.900	0.075	-	4.250	1.969	0.684	9199005
20	1/2	1/4" Tap	0.790	1.900	0.075	0.250	4.250	1.969	0.684	9199096
25	3/4	Solid	0.980	2.360	0.091	-	4.500	1.969	0.573	9199007
25	3/4	1/4" Tap	0.980	2.360	0.091	0.250	4.500	1.969	0.573	9199103
32	1	Solid	1.260	2.650	0.114	-	4.500	1.969	0.595	9199010
32	1	1/4" Tap	1.260	2.650	0.114	0.250	4.500	1.969	0.595	9199104
32	1	1/2" Tap	1.260	2.650	0.114	0.500	4.500	1.969	0.595	9199130
40	1-1/4	Solid	1.570	3.060	0.146	-	4.500	1.969	0.882	9199012
40	1-1/4	1/4" Tap	1.570	3.060	0.146	0.250	4.500	1.969	0.882	9199159
40	1-1/4	1/2" Tap	1.570	3.060	0.146	0.500	4.500	1.969	0.882	9199166
50	1-1/2	Solid	1.970	3.300	0.181	-	4.500	1.969	0.904	9199015
50	1-1/2	1/4" Tap	1.970	3.300	0.181	0.250	4.500	1.969	0.904	9199207
50	1-1/2	1/2" Tap	1.970	3.300	0.181	0.500	4.500	1.969	0.904	9199208
63	2	Solid	2.480	3.800	0.228	-	4.500	1.969	0.860	9199020
63	2	1/4" Tap	2.480	3.800	0.228	0.250	4.500	1.969	0.860	9199244
63	2	1/2" Tap	2.480	3.800	0.228	0.500	4.500	1.969	0.860	9199246
75	2-1/2	Solid	2.950	4.130	0.268	-	5.000	1.969	1.433	9199025
75	2-1/2	1/4" Tap	2.950	4.130	0.268	0.250	5.000	1.969	1.433	9199283
75	2-1/2	1/2" Tap	2.950	4.130	0.268	0.500	5.000	1.969	1.433	9199285
90	3	Solid	3.540	4.480	0.323	-	5.000	1.969	1.367	9199030
90	3	1/4" Tap	3.540	4.480	0.323	0.250	5.000	1.969	1.367	9199330
90	3	1/2" Tap	3.540	4.480	0.323	0.500	5.000	1.969	1.367	9199332
110	4	Solid	4.330	5.000	0.394	-	5.000	1.969	1.830	9199040
110	4	1/4" Tap	4.330	5.000	0.394	0.250	5.000	1.969	1.830	9199402
110	4	1/2" Tap	4.330	5.000	0.394	0.500	5.000	1.969	1.830	9199399
160	6	Solid	6.300	7.000	0.575	-	5.000	1.969	4.013	9199060
160	6	1/4" Tap	6.300	7.000	0.575	0.250	5.000	1.969	4.013	9199509
160	6	1/2" Tap	6.300	7.000	0.575	0.500	5.000	1.969	4.013	9199512

*Instrumentation fittings are a machined item, non-returnable / non-cancelable.

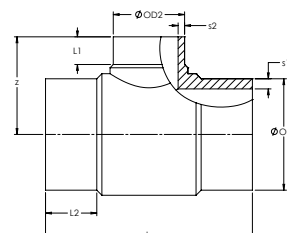
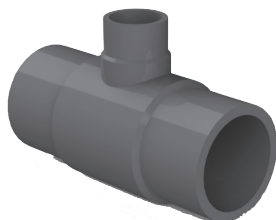




REDUCING TEE

Size		Dimensions							SDR 11 / PN 10 / 150 PSI	
mm	inch	z	L	L1	L2	s1	s2	Weight	Part Number	
63 x 32	2 x 1	4.055	8.661	1.969	2.480	0.228	0.114	0.617	9122249	
63 x 50	2 x 1-1/2	4.055	8.661	2.480	2.205	0.228	0.181	0.637	9122251	
75 x 32	2-1/2 x 1	4.232	10.433	2.756	1.811	0.268	0.114	1.098	9122289	
75 x 50	2-1/2 x 1-1/2	4.449	10.433	2.854	2.205	0.268	0.181	1.162	9122291	
75 x 63	2-1/2 x 2	4.606	10.236	2.835	2.480	0.268	0.228	1.182	9122292	
90 x 63	3 x 2	5.453	10.827	3.189	2.520	0.323	0.228	1.603	9122338	
90 x 75	3 x 2-1/2	5.433	10.945	3.031	2.677	0.323	0.268	1.700	9122339	
110 x 63	4 x 2	6.260	12.402	3.425	2.559	0.394	0.228	2.698	9122420	
110 x 75	4 x 2-1/2	5.945	12.402	3.346	2.756	0.394	0.268	2.584	9122421	
110 x 90	4 x 3	6.102	12.402	3.346	3.130	0.394	0.323	2.690	9122422	
160 x 63	6 x 2	6.890	13.661	3.937	2.638	0.575	0.228	5.820	9122530	
160 x 90	6 x 3	7.165	13.740	3.976	3.150	0.575	0.323	6.016	9122531	
160 x 110	6 x 4	7.953	15.748	3.937	3.346	0.575	0.394	7.275	9122532	
200 x 63	8 x 2	8.898	22.047	5.315	3.189	0.717	0.228	15.675	9122581	
200 x 90	8 x 3	9.016	22.047	5.276	3.740	0.717	0.323	14.725	9122582	
200 x 110	8 x 4	9.646	22.047	5.354	4.134	0.717	0.394	15.543	9122583	
200 x 160	8 x 6	10.827	22.205	5.394	4.646	0.717	0.575	18.387	9122585	
225 x 90	9 x 3	8.898	17.717	4.724	3.110	0.807	0.323	14.506	9122604	
225 x 110	9 x 4	8.898	17.677	4.724	3.346	0.807	0.394	14.705	9122607	
225 x 160	9 x 6	9.843	19.606	4.724	4.016	0.807	0.575	18.122	9122659	
250 x 110	10 x 4	9.724	24.882	3.425	5.984	0.894	0.394	27.139	9122626	

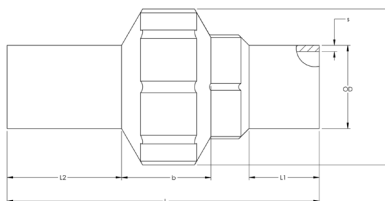
Tee run must be trimmed to fit in SP 110-S welding equipment when welding branch.



REDUCING TEE

Size		Dimensions							SDR 11 / PN 10 / 150 PSI	
mm	inch	z	L	L1	L2	s1	s2	Weight	Part Number	
90 x 32	3 x 1	3.346	8.386	2.244	0.906	0.323	0.114	1.250	9123336	
90 x 50	3 x 1-1/2	3.543	8.386	2.244	1.063	0.323	0.181	1.248	9123337	
110 x 32	4 x 1	3.701	9.606	2.756	0.906	0.394	0.114	2.000	9123401	
110 x 50	4 x 1-1/2	4.055	9.606	2.756	1.063	0.394	0.181	2.141	9123415	
250 X 110	10 X 4								9123626	
250 x 160	10 x 6	8.622	18.268	4.528	2.441	0.894	0.575	17.152	9123627	

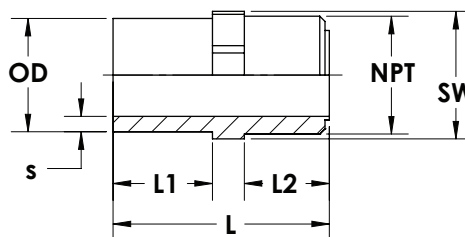
Tee run must be trimmed to fit in SP 110-S welding equipment when welding branch.



UNION - FKM

Size		Dimensions						SDR 11 / PN 10 / 150 PSI	
mm	inch	s	L	L1	L2	d	b	Weight (lbs)	Part Number
20	1/2	0.0748	4.212	0.944	0.944	1.850	0.944	0.11	9134005
25	3/4	0.0905	4.409	0.944	0.944	2.244	1.023	0.18	9134007
32	1	0.1141	4.685	0.984	0.984	2.519	1.181	0.24	9134010
40	1-1/4	0.1456	4.921	0.984	0.984	3.070	1.220	0.40	9134012
50	1-1/2	0.1811	5.118	0.984	0.984	3.503	1.377	0.55	9134015
63	2	0.2283	5.354	0.984	0.984	4.291	1.535	0.88	9134020

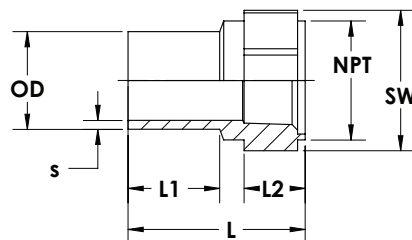
*Items are non-stock, which are non-returnable / non-cancelable.
 PVDF union blanks are available. See page 23.



MALE ADAPTER

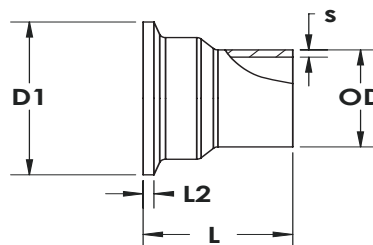
Size		Dimensions						SDR 11 / PN 10 / 150 PSI	
mm	inch	s	L	L1	L2	SW	NPT	Weight (lbs)	Part Number
20	1/2	0.098	1.811	0.748	0.709	0.866	1/2	0.02	9147005
25	3/4	0.106	2.008	0.866	0.787	1.063	3/4	0.02	9147007
32	1	0.114	2.402	1.102	0.945	1.417	1	0.07	9147010
40	1-1/4	0.146	2.598	1.142	1.024	1.811	1-1/4	0.13	9147012
50	1-1/2	0.181	2.913	1.260	1.102	2.165	1-1/2	0.13	9147015
63	2	0.228	3.150	1.378	1.220	2.559	2	0.13	9147020





FEMALE ADAPTER

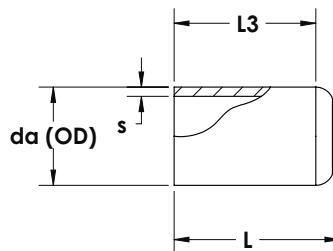
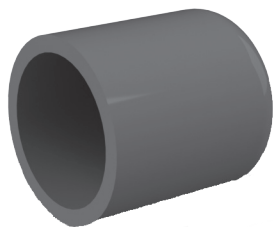
Size		Dimensions						SDR 11 / PN 10 / 150 PSI	
mm	inch	s	L	L1	L2	SW	NPT	Weight (lbs)	Part Number
20	1/2	0.075	1.772	0.827	0.630	1.260	1/2	0.02	9149005
25	3/4	0.091	1.969	0.984	0.669	1.614	3/4	0.07	9149007
32	1	0.114	2.283	1.181	0.787	1.811	1	0.09	9149010
40	1-1/4	0.146	2.441	1.181	0.945	2.165	1-1/4	0.13	9149012
50	1-1/2	0.181	2.677	1.339	0.945	2.756	1-1/2	0.22	9149015
63	2	0.228	2.953	1.417	1.102	3.346	2	0.35	9149020



SANITARY ADAPTER

Size			Dimensions			SDR 11 / MOP 120 PSI		
mm	inch	Sanitary	L	L2	D1	s	Weight (lbs)	Part Number
20	1/2	3/4"	1.500	0.142	0.984	0.075	0.07	9145101
25	3/4	1"	1.500	0.110	1.984	0.091	0.07	9145131
32	1	1-1/2"	1.500	0.110	1.984	0.114	0.07	9145168
40	1-1/4	1-1/2"	1.500	0.110	1.984	0.146	0.09	9145212
50	1-1/2	2"	1.500	0.110	2.490	0.181	0.09	9145251
63	2	2-1/2"	1.500	0.110	2.990	0.228	0.09	9145292

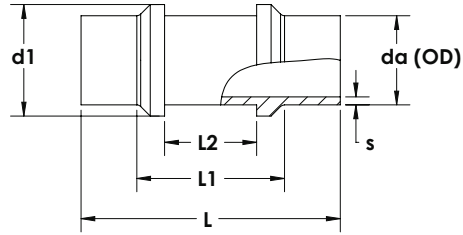
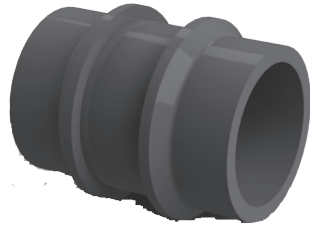
Please see page 122 for gaskets and clamps.
Maximum operating pressure is 120psi.



END CAP

Size		Dimensions				SDR 11 / PN 10 / 150 PSI	
mm	inch	da	s	L	L3	Weight (lbs)	Part Number
20	1/2	0.787	0.075	1.850	1.614	0.02	9143005
25	3/4	0.984	0.091	1.929	1.614	0.02	9143007
32	1	1.260	0.114	2.165	1.850	0.04	9143010
40	1-1/4	1.575	0.146	2.520	2.008	0.07	9143012
50	1-1/2	1.969	0.181	2.874	2.362	0.11	9143015
63	2	2.480	0.228	3.307	2.677	0.22	9143020
75	2-1/2	2.953	0.268	3.661	2.953	0.35	9143025
90	3	3.543	0.323	4.213	3.307	0.55	9143030
110	4	4.331	0.394	5.276	3.819	0.93	9143040
160	6	6.299	0.575	6.575	4.665	2.29	9143060
200	8	7.874	0.717	7.126	5.000	4.54	9143080
225	9	8.858	0.807	8.307	5.551	6.35	9143090
250	10	9.843	0.894	9.055	5.984	8.51	9143100
315	12	12.402	1.126	10.315	7.087	15.43	9143120

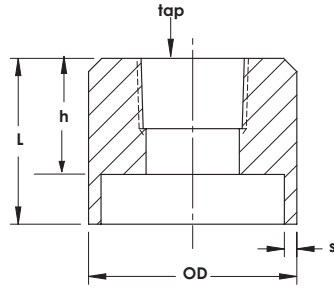
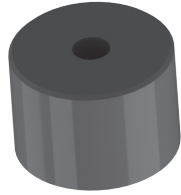




RESTRAINT FITTING - MACHINED

Size		Dimensions						SDR 11 / PN 10 / 150 PSI	
mm	inch	da	s	L	L1	L2	d1	Weight (lbs)	Part Number
20	1/2	0.787	0.0748	3.661	2.086	1.299	1.102	0.066	9161005
25	3/4	0.984	0.0905	3.661	2.086	1.299	1.299	0.066	9161007
32	1	1.260	0.1141	3.661	2.086	1.299	1.574	0.066	9161010
40	1-1/4	1.575	0.1456	3.661	2.086	1.299	1.889	0.066	9161012
50	1-1/2	1.969	0.1811	4.448	2.086	1.299	2.283	0.066	9161015
63	2	2.480	0.2283	4.330	1.968	1.220	2.795	0.279	9161020
75	2-1/2	2.953	0.2677	5.118	2.755	1.574	3.425	0.474	9161025
90	3	3.543	0.3228	5.118	2.755	1.574	4.133	0.694	9161030
110	4	4.331	0.3937	5.118	2.755	1.574	4.999	1.709	9161040
160	6	6.299	0.5748	6.299	3.937	2.362	7.086	2.635	9161060
200	8	7.874	0.7165	7.874	4.330	2.362	8.858	4,200	9161080
225	9	8.858	0.8070	7.874	4.330	2.362	9.842	4.630	9161090

Restraint fittings are a machined item, non-returnable / non-cancelable.

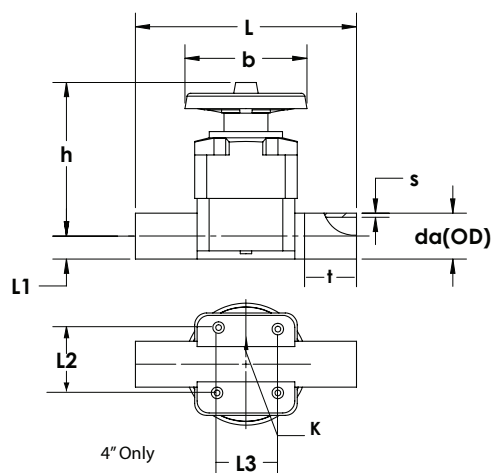


PROBE ADAPTER*

Size		Description	Dimensions			SDR 11 / PN 10 / 150 PSI
mm	inch		h	L	s	Part Number
20	1/2	Solid	1.00	1.50	0.075	9166005
20	1/2	1/4" Tap	1.00	1.50	0.075	9166096
25	3/4	Solid	1.00	1.50	0.075	9166007
25	3/4	1/4" Tap	1.00	1.50	0.075	9166103
32	1	Solid	1.00	1.50	0.094	9166010
32	1	1/4" Tap	1.00	1.50	0.094	9166104
32	1	1/2" Tap	1.00	1.50	0.094	9166130
40	1-1/4	Solid	1.00	1.50	0.094	9166012
40	1-1/4	1/4" Tap	1.00	1.50	0.094	9166159
40	1-1/4	1/2" Tap	1.00	1.50	0.094	9166166
50	1-1/2	Solid	1.00	1.50	0.118	9166015
50	1-1/2	1/4" Tap	1.00	1.50	0.118	9166207
50	1-1/2	1/2" Tap	1.00	1.50	0.118	9166208
63	2	Solid	1.00	1.50	0.118	9166020
63	2	1/4" Tap	1.00	1.50	0.118	9166244
63	2	1/2" Tap	1.00	1.50	0.118	9166246
75	2-1/2	Solid	1.00	1.50	0.141	9166025
75	2-1/2	1/4" Tap	1.00	1.50	0.141	9166283
75	2-1/2	1/2" Tap	1.00	1.50	0.141	9166285
90	3	Solid	1.00	1.50	0.169	9166030
90	3	1/4" Tap	1.00	1.50	0.169	9166330
90	3	1/2" Tap	1.00	1.50	0.169	9166332
110	4	Solid	1.00	1.50	0.209	9166040
110	4	1/4" Tap	1.00	1.50	0.209	9166402
110	4	1/2" Tap	1.00	1.50	0.209	9166399

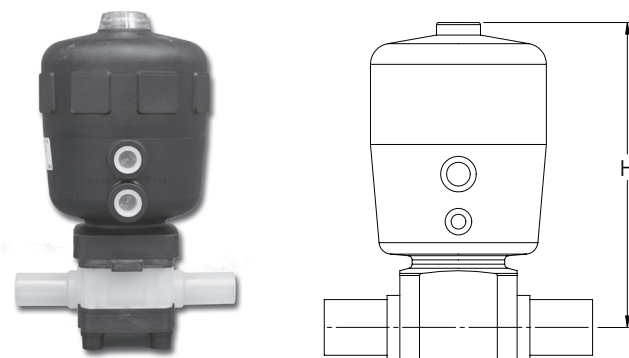
*Probe adapters are a machined item, non-returnable / non-cancelable.





T-342 DIAPHRAGM VALVE - MANUAL

Size		Dimensions									SDR 11 / PN 10 / 150 PSI		
mm	inch	s	L	L1	L2	L3	h	b	t	K	Weight (lbs)	EPDM Diaphragm	PTFE Diaphragm
												Part Number	Part Number
20	1/2	0.098	5.236	0.650	0.965	-	3.937	3.346	1.279	M6	1.01	1174005	1403005
25	3/4	0.106	5.669	0.650	0.965	-	3.937	3.346	1.279	M6	1.01	1174007	1403007
32	1	0.114	6.063	0.807	0.965	-	4.213	3.346	1.279	M6	1.43	1174010	1403010
40	1-1/4	0.146	7.598	1.004	1.732	-	5.669	5.315	1.279	M8	3.52	1174012	1403012
50	1-1/2	0.181	7.638	1.260	1.732	-	5.669	5.315	1.279	M8	3.30	1174015	1403015
63	2	0.228	8.819	1.516	1.732	-	6.693	5.315	1.279	M8	4.97	1174020	1403020
75	2-1/2	0.268	11.181	0.984	9.055	-	10.000	9.213	1.279	M12	12.65	1174025	1403025
90	3	0.323	11.811	0.984	9.055	-	10.000	9.213	1.279	M12	11.66	1174030	1403030
110	4	0.394	13.386	0.984	11.024	3.346	12.598	9.213	1.279	M12	22.22	1174040	1403040



T-342 DIAPHRAGM VALVE - ACTUATED

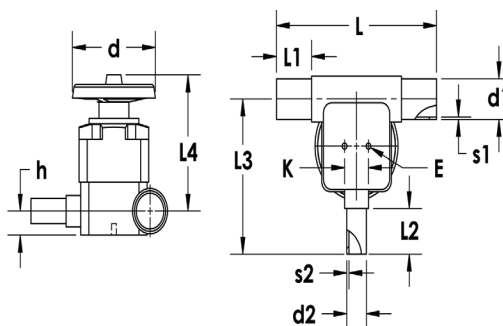
Size		Dimensions	EPDM DIAPHRAGM -SDR 11 / PN 10 / 150 PSI		
mm	inch	H	A-S NC Part Number	A-S NO Part Number	A-A Part Number
20	1/2	6.69	9119005	9120005	9121005
25	3/4	6.69	9119007	9120007	9121007
32	1	6.89	9119010	9120010	9121010
40	1-1/4	10.75	9119012	9120012	9121012
50	1-1/2	10.75	9119015	9120015	9121015
63	2	10.91	9119020	9120020	9121020

Pricing and part numbers are for actuated versions of standard spigot model.
 Consult factory for pricing on true union or flanged actuated valves.
 Actuated 342 valves are non-returnable / non-cancelable.

Size		Dimensions	PTFE DIAPHRAGM -SDR 11 / PN 10 / 150 PSI		
mm	inch	H	A-S NC Part Number	A-S NO Part Number	A-A Part Number
20	1/2	6.69	9125005	9126005	9127005
25	3/4	6.69	9125007	9126007	9127007
32	1	6.89	9125010	9126010	9127010
40	1-1/4	10.75	9125012	9126012	9127012
50	1-1/2	10.75	9125015	9126015	9127015
63	2	10.91	9125020	9126020	9127020

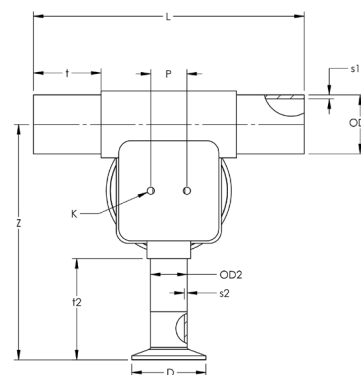
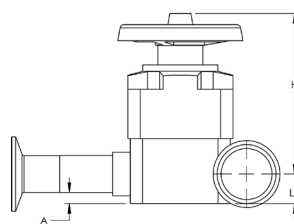
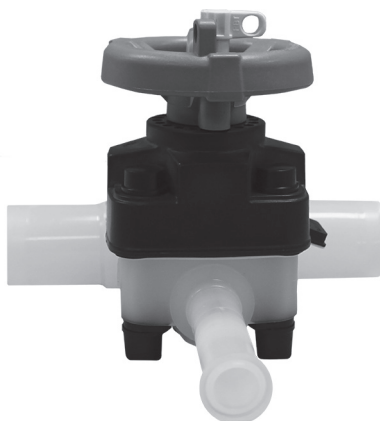
Pricing and part numbers are for actuated versions of standard spigot model.
 Consult factory for pricing on true union or flanged actuated valves.
 Actuated 342 valves are non-returnable / non-cancelable.





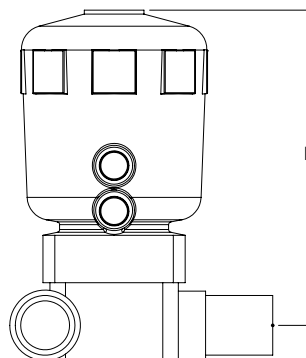
T-343 DIAPHRAGM VALVE - MANUAL

Size													SDR 11 / PN 10 / 150 PSI		
mm	inch	s1	L	L1	L2	L3	L4	s2	d	h	K	E	Weight (lbs)	EPDM Part Number	PTFE Part Number
20 x 20	1/2 x 1/2	0.075	6.457	1.417	1.417	4.409	4.213	0.075	3.346	0.638	0.965	M6	1.10	9128005	9146005
25 x 20	3/4 x 1/2	0.075	6.457	1.417	1.417	4.547	4.213	0.075	3.346	0.638	0.965	M6	1.12	9128101	9146101
25 x 25	3/4 x 3/4	0.091	6.457	1.417	1.417	4.547	4.213	0.091	3.346	0.638	0.965	M6	1.12	9128007	9146007
32 x 20	1 x 1/2	0.114	6.457	1.417	1.417	4.803	4.213	0.075	3.346	0.748	0.965	M6	1.12	9128130	9146130
32 x 25	1 x 3/4	0.114	6.457	1.417	1.417	4.803	4.213	0.091	3.346	0.748	0.965	M6	1.61	9128131	9146131
32 x 32	1 x 1	0.114	6.457	1.417	1.417	4.803	4.213	0.114	3.346	0.748	0.965	M6	3.48	9128010	9146010
40 x 20	1-1/4 x 1/2	0.146	7.244	1.811	1.417	5.000	4.287	0.098	3.346	0.787	0.965	M6	3.67	9128166	9146166
40 x 25	1-1/4 x 3/4	0.146	7.244	1.811	1.417	5.000	4.287	0.106	3.346	0.787	0.965	M6	5.39	9128167	9146167
40 x 32	1-1/4 x 1	0.146	7.244	1.811	1.417	5.000	4.484	0.114	3.346	0.787	0.965	M6	1.65	9128168	9146168
50 x 20	1-1/2 x 1/2	0.181	7.244	1.811	1.417	5.177	4.394	0.075	3.346	0.866	0.965	M6	1.80	9128208	9146208
50 x 32	1-1/2 x 1	0.181	7.244	1.811	1.417	5.177	4.591	0.114	3.346	0.866	0.965	M6	1.80	9128211	9146211
63 x 32	2 x 1	0.228	7.244	1.811	1.417	5.433	4.591	0.114	3.346	0.866	0.965	M6	1.96	9128249	9146249



T-343 DIAPHRAGM VALVE - MANUAL w/ Sanitary Connector Branch

Size		s1	L	L1	L2	L3	L4	s2	d	h	K	E	SDR 11 / PN 10 / 150 PSI		
mm	inch												Weight (lbs)	EPDM	PTFE
														Part Number	Part Number
20 x 20	1/2 x 1/2	0.075	6.457	1.417	1.417	5.509	4.213	0.075	3.346	0.638	0.965	M6	1.10	912805005	914605005
25 x 20	3/4 x 1/2	0.075	6.457	1.417	1.417	5.647	4.213	0.075	3.346	0.638	0.965	M6	1.12	912805101	914605101
25 x 25	3/4 x 3/4	0.091	6.457	1.417	1.417	5.647	4.213	0.091	3.346	0.638	0.965	M6	1.12	912805007	914605007
32 x 20	1 x 1/2	0.114	6.457	1.417	1.417	5.903	4.213	0.075	3.346	0.748	0.965	M6	1.12	912805130	914605130
32 x 25	1 x 3/4	0.114	6.457	1.417	1.417	5.903	4.213	0.091	3.346	0.748	0.965	M6	1.61	912805131	914605131
32 x 32	1 x 1	0.114	6.457	1.417	1.417	5.903	4.213	0.114	3.346	0.748	0.965	M6	3.48	912805010	914605010
40 x 20	1-1/4 x 1/2	0.146	7.244	1.811	1.417	6.100	4.287	0.098	3.346	0.787	0.965	M6	3.67	912805166	914605166
40 x 25	1-1/4 x 3/4	0.146	7.244	1.811	1.417	6.100	4.287	0.106	3.346	0.787	0.965	M6	5.39	912805167	914605167
40 x 32	1-1/4 x 1	0.146	7.244	1.811	1.417	6.100	4.484	0.114	3.346	0.787	0.965	M6	1.65	912805168	914605168
50 x 20	1-1/2 x 1/2	0.181	7.244	1.811	1.417	6.277	4.394	0.075	3.346	0.866	0.965	M6	1.80	912805208	914605208
50 x 32	1-1/2 x 1	0.181	7.244	1.811	1.417	6.277	4.591	0.114	3.346	0.866	0.965	M6	1.80	912805211	914605211
63 x 32	2 x 1	0.228	7.244	1.811	1.417	6.533	4.591	0.114	3.346	0.866	0.965	M6	1.96	912805249	914605249



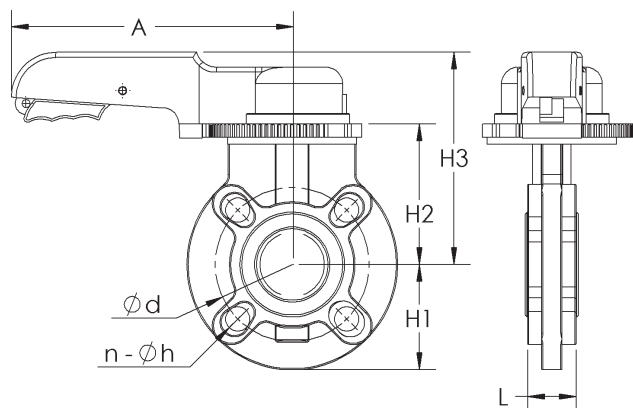
T-343 DIAPHRAGM VALVE - ACTUATED

Size		Dimensions	EPDM DIAPHRAGM - SDR 11 / PN 10 / 150 PSI		
mm	inch	H	A-S NC Part Number	A-S NO Part Number	A-A Part Number
20 X 20	1/2 X 1/2	6.963	9131005	9132005	9133005
32 X 20	1 X 1/2	6.963	9131130	9132130	9133130
32 X 25	1 X 3/4	6.963	9131317	9132317	9133317
32 X 32	1 X 1	6.963	9131010	9132010	9133010
40 X 20	1-1/4 X 1/2	7.037	9131166	9132166	9133166
40 X 25	1-1/4 X 3/4	7.037	9131167	9132167	9133167
40 X 32	1-1/4 X 1	7.234	9131168	9132168	9133168
50 X 20	1-1/2 X 1/2	7.144	9131208	9132208	9133208
50 X 32	1-1/2 X 1	7.341	9131211	9132211	9133211
63 X 32	2 X 1	7.341	9131249	9132249	9133249

Pricing and part numbers are for actuated versions of standard spigot model.
Consult factory for pricing on true union or flanged actuated valves.
Actuated 342 valves are non-returnable / non-cancelable.

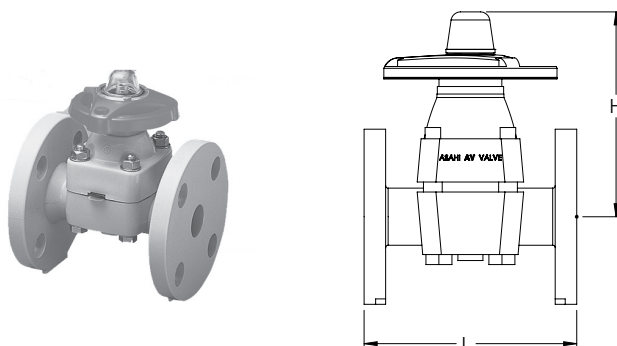
Size		Dimensions	PTFE DIAPHRAGM - SDR 11 / PN 10 / 150 PSI		
mm	inch	H	A-S NC Part Number	A-S NO Part Number	A-A Part Number
20 X 20	1/2 X 1/2	6.963	9117005	9142005	9167005
32 X 20	1 X 1/2	6.963	9117130	9142130	9167130
32 X 25	1 X 3/4	6.963	9117131	9142131	9167131
32 X 32	1 X 1	6.963	9117010	9142010	9167010
40 X 20	1-1/4 X 1/2	7.037	9117166	9142166	9167166
40 X 25	1-1/4 X 3/4	7.037	9117167	9142167	9167167
40 X 32	1-1/4 X 1	7.234	9117168	9142168	9167168
50 X 20	1-1/2 X 1/2	7.144	9117208	9142208	9167208
50 X 32	1-1/2 X 1	7.341	9117211	9142211	9167211
63 X 32	2 X 1	7.341	9117249	9142249	9167249

Pricing and part numbers are for actuated versions of standard spigot model.
Consult factory for pricing on true union or flanged actuated valves.
Actuated 342 valves are non-returnable / non-cancelable.



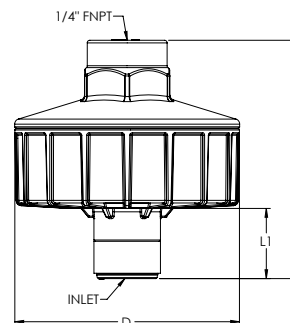
PP TYPE-57P FLANGED BUTTERFLY VALVES

OD		Dimensions					ANSI / PN 10 / 150 PSI	
mm	inch	A	H1	H2	H3	L	PP DISC/EPDM Part Number	PP DISC/FKM Part Number
50	1-1/2	8.66	2.95	3.94	2.20	1.54	1447015	1449015
63	2	8.66	3.25	4.33	2.20	1.65	1447020	1449020
75	2-1/2	8.66	3.64	4.72	2.20	1.81	1447025	1449025
90	3	9.84	4.15	5.31	2.20	1.81	1447030	1449030
110	4	9.84	4.69	5.91	2.20	2.20	1447040	1449040
160	6	12.60	5.20	6.61	2.72	2.60	1447060	1449060
200	8	12.60	5.61	7.20	2.72	2.80	1447080	1449080
250	10	15.75	8.31	9.49	3.62	3.43	1447100	1449100
315	12	11.93	9.61	11.73	4.25	4.15	1447120	1449120



PP TYPE-14/15 FLANGED DIAPHRAGM VALVES

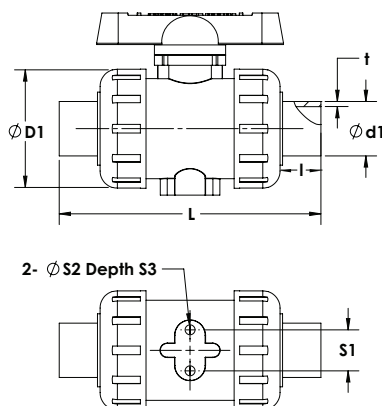
Size		Dimensions		ANSI / PN 10 / 150 PSI	
				PPG BONNET/PTEF DIA.	PVDF BONNET/PTEF DIA.
mm	inch	h	L	Part Number	Part Number
20	1/2	0.62	4.25	1517005	1439005
25	3/4	0.62	5.88	1517007	1439007
32	1	0.62	5.88	1517010	1439010
40	1-1/4	0.62	6.38	1517012	1439012
50	1-1/2	0.62	6.94	1517015	1439015
63	2	0.75	7.94	1517020	1439020
75	2-1/2	0.75	9.84	1517025	1439025
90	3	0.75	10.38	1517030	1439030
110	4	0.75	12.94	1517040	1439040
160	6	0.88	18.90	1517060	1439060
200	8	0.88	22.24	1517080	1439080
250	10	0.98	26.77	1517100	1439100



Z801 GAUGE GUARD

Inlet Size	Description	Dimensions			SDR 11 / PN10 / 150 PSI
		D	L	L1	Part Number
1/4" FNPT	TFM Backed EPDM Diaphragm	3.327	4.024	1.004	17801309
1/2" FNPT	TFM Backed EPDM Diaphragm	3.327	4.024	1.004	17801310
25mm Butt	TFM Backed EPDM Diaphragm	3.327	4.673	1.654	17801307
32mm Butt	TFM Backed EPDM Diaphragm	3.327	4.673	1.654	17801308

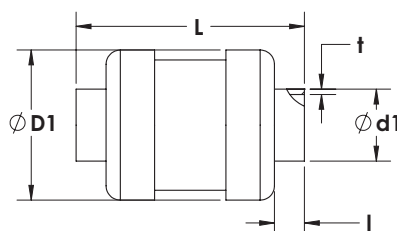
Gauge not included. Items are non-returnable / non-cancelable.



TYPE-21 BALL VALVE*

Size		Dimension								Weight (lbs)	EPDM O-Rings	FKM O-Rings
mm	inch	D1	d1	l	t	L	S1	S2	S3		SDR 11 / PN 10 / 150 PSI	SDR 11 / PN 10 / 150 PSI
											Part Number	Part Number
20	1/2	1.89	0.787	0.728	0.098	4.882	0.75	0.29	0.43	0.50	1434005	1485005
25	3/4	2.36	0.984	0.866	0.106	5.670	0.75	0.29	0.43	0.80	1434007	1485007
32	1	2.76	1.260	0.866	0.118	6.063	0.75	0.29	0.43	1.10	1434010	1485010
40	1-1/4	3.23	1.575	1.024	0.146	6.850	1.18	0.35	0.59	2.30	1434012	1485012
50	1-1/2	3.94	1.969	1.260	0.181	7.638	1.18	0.35	0.59	2.50	1434015	1485015
63	2	4.96	2.480	1.414	0.228	8.819	1.18	0.35	0.59	2.70	1434020	1485020
75	2-1/2	5.24	2.953	1.496	0.272	9.72	1.84	N/A	N/A	6.20	1434025	1485025
90	3	5.98	3.543	1.496	0.323	11.61	2.17	N/A	N/A	9.70	1434030	1485030
110	4	8.27	4.331	1.752	0.394	12.72	2.56	N/A	N/A	24.0	1434040	1485040

Cleaned and bagged.
*Spigot ends.



BALL CHECK VALVE*

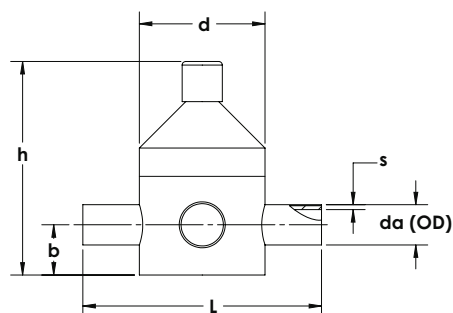
Size		Dimensions					EPDM O-Rings	FKM O-Rings
mm	inch	D	d1	l	t	L	SDR 11 / PN 10 / 150 PSI	SDR 11 / PN 10 / 150 PSI
							Part Number	Part Number
20	1/2	1.89	0.787	0.728	0.098	4.00	1436005	1430005
25	3/4	2.36	0.984	0.866	0.106	4.35	1436007	1430007
32	1	2.76	1.260	0.866	0.118	4.75	1436010	1430010
40	1-1/4	3.78	-	-	-	-	1436012	1430012
50	1-1/2	3.78	1.969	1.260	0.181	5.75	1436015	1430015
63	2	4.17	2.480	1.414	0.228	6.50	1436020	1430020
90	3	3.07	3.51	1.400	0.170	8.48	1436030	1430030
110	4	3.94	4.29	1.630	0.210	11.46	1436040	1430040

Cleaned and bagged.
*Spigot ends.





V82

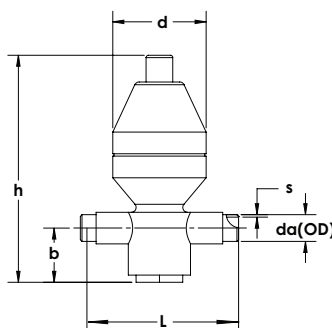


V82 PRESSURE REGULATOR WITH GAUGE GUARD

Size		Dimensions					Range	Weight (lbs)	EPDM	PTFE/FKM
mm	inch	d	L	b	h	s	psi		SDR 11 / PN 10 / 150 PSI	SDR 11 / PN 10 / 150 PSI
							Part Number		Part Number	
20	1/2	2.756	5.906	1.181	5.118	0.075	7.25-145	1.17	910251005	910241005
25	3/4	3.937	7.480	1.575	6.693	0.091	7.25-145	2.38	910251007	910241007
32	1	3.937	7.480	1.575	6.693	0.114	7.25-145	2.90	910251010	910241010
40	1-1/4	5.118	9.449	2.165	9.055	0.146	7.25-145	5.52	910251012	910241012
50	1-1/2	5.118	9.449	2.165	9.055	0.181	7.25-145	5.52	910251015	910241015
63	2	6.102	10.236	2.953	11.220	0.228	7.25-145	8.71	910251020	910241020
75	2-1/2	7.480	11.811	3.937	13.780	0.268	7.25-145	17.40	910251025	910241025
90	3	9.845	14.173	4.724	16.732	0.323	14.00-90	-	910251030	910241030
100	4	11.811	16.335	5.906	19.488	0.394	14.00-60	-	910251040	910241040



V782



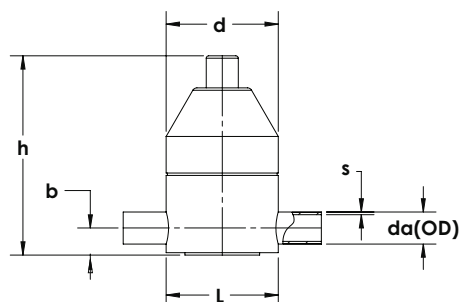
V782 PRESSURE REGULATOR

Size		Dimensions					Range	Weight (lbs)	EPDM	PTFE/FKM
mm	inch	d	L	b	h	s	psi		SDR 11 / PN 10 / 150 PSI	SDR 11 / PN 10 / 150 PSI
							Part Number		Part Number	
20	1/2	3.268	6.772	1.890	9.449	0.075	7.25-145	1.10	910253005	910243005
25	3/4	4.409	7.480	2.559	10.709	0.091	7.25-145	3.08	910253007	910243007
32	1	4.409	7.480	2.559	10.709	0.114	7.25-145	3.08	910253010	910243010
40	1-1/4	6.496	10.315	3.740	14.016	0.146	7.25-145	8.58	910253012	910243012
50	1-1/2	6.496	10.315	3.740	14.016	0.181	7.25-145	8.58	910253015	910243015

PP-Pure®



V186

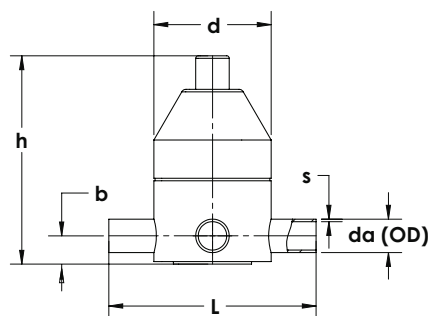


V186 BACK PRESSURE REGULATOR

Size		Dimensions					Range	Weight (lbs)	EPDM		PTFE/FKM	
mm	inch	d	L	b	h	s	psi		SDR 11 / PN 10 / 150 PSI		SDR 11 / PN 10 / 150 PSI	
									Part Number	List Price	Part Number	List Price
20	1/2	3.268	6.220	0.787	5.394	0.075	7.25-145	0.86	910254005	366.20	910244005	397.80
25	3/4	3.268	6.220	0.787	5.394	0.091	7.25-145	0.88	910254007	489.60	910244007	525.30
32	1	4.409	7.795	1.063	7.835	0.114	7.25-145	2.27	910254010	527.30	910244010	569.20
40	1-1/4	4.409	7.795	1.063	7.835	0.146	7.25-145	2.27	910254012	671.20	910244012	705.80
50	1-1/2	6.496	10.315	1.693	11.417	0.181	7.25-145	9.68	910254015	696.70	910244015	784.40
63	2	6.496	10.315	1.693	11.417	0.228	7.25-145	9.90	910254020	1354.60	910244020	1387.20



V185/85

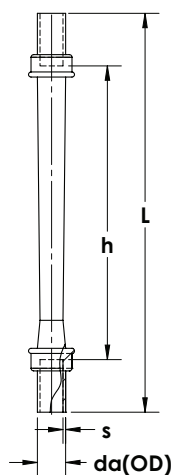


V185 PRESSURE RELIEF T-VALVE

Size		Dimensions					Range	Weight (lbs)	EPDM		PTFE/FKM	
mm	inch	d	L	b	h	s	psi		SDR 11 / PN 10 / 150 PSI		SDR 11 / PN 10 / 150 PSI	
									Part Number	Part Number	Part Number	Part Number
20	1/2	3.268	6.220	0.787	5.394	0.075	7.25-145	0.88	910255005		910245005	
25	3/4	3.268	6.220	0.787	5.394	0.091	7.25-145	1.98	910255007		910245007	
32	1	4.409	7.795	1.063	7.835	0.114	7.25-145	1.98	910255010		910245010	
40	1-1/4	4.409	7.795	1.063	7.835	0.146	7.25-145	2.40	910255012		910245012	
50	1-1/2	6.496	10.315	1.693	11.417	0.181	7.25-145	9.68	910255015		910245015	
63	2	6.496	10.315	1.693	11.417	0.228	7.25-145	9.90	910255020		910245020	



M335



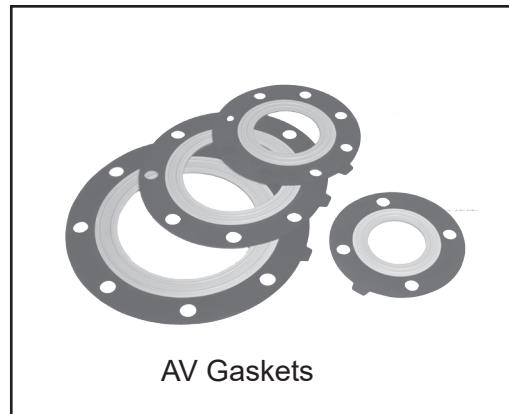
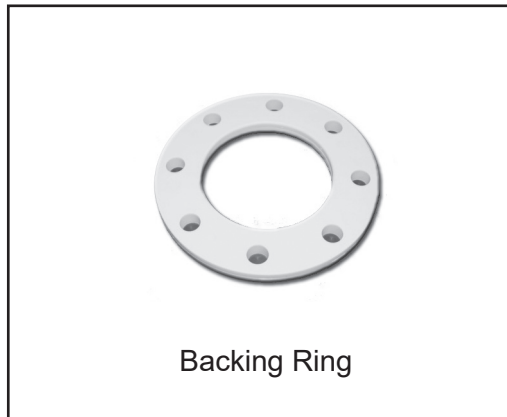
M335 FLOWMETER

Size		Flow Rate	Spigot, FKM SDR 11 / 150 PSI				Part Number
mm	inch		da(OD)	L	h	s	
20	1/2	0.44 -4.4 GPM (100 -1000 LPH)	0.787	17.91	13.19	0.075	910247010
25	3/4		0.984	17.91	13.19	0.091	910247011
25	3/4	0.88 -8.8 GPM (200 -2000 LPH)	0.984	17.91	13.19	0.091	910247012
32	1		1.26	17.91	13.19	0.114	910247013
25	3/4	1.1-11 GPM (250 -2500 LPH)	0.984	17.91	13.19	0.091	910247014
32	1		1.26	17.91	13.19	0.114	910247015
32	1	1.32 -13.2 GPM (300 -3000 LPH)	1.26	18.11	13.19	0.114	910247016
40	1-1/4		1.575	18.11	13.19	0.146	910247017
40	1-1/4	2.64 -26.4 GPM (600 -6000 LPH)	1.575	18.62	13.19	0.146	910247018
50	1-1/2		1.969	18.62	13.19	0.181	910247019
63	2	4.4 -44 GPM (1000 -10000 LPH)	2.48	18.62	13.19	0.228	910247020
50	1-1/2		1.969	18.62	13.19	0.181	910247021
63	2	6.6 -66 GPM (1500 -15000 LPH)	2.48	18.62	13.19	0.228	910247022
75	2-1/2		2.953	18.62	13.19	0.268	910247023
63	2	8.8 -88 GPM (2000 -20000 LPH)	2.48	18.62	13.19	0.228	910247024
75	2-1/2		2.953	23.11	13.19	0.268	910247025
90	3	13.2 -132 GPM (3000 -30000 LPH)	3.543	23.11	13.19	0.323	910247026
63	2		2.48	23.11	13.19	0.228	910247027
75	2-1/2	8.8 -88 GPM (2000 -20000 LPH)	2.953	23.11	13.19	0.268	910247028
90	3		3.543	23.11	13.19	0.323	910247029
110	4	13.2 -132 GPM (3000 -30000 LPH)	4.331	23.11	13.19	0.394	910247030
75	2-1/2		2.953	23.11	13.19	0.268	910247031
90	3	13.2 -132 GPM (3000 -30000 LPH)	3.543	23.11	13.19	0.323	910247032
110	4		4.331	23.11	13.19	0.394	910247033

Page intentionally left blank.

pp-pure®

Piping System Accessories



BACKING RING*

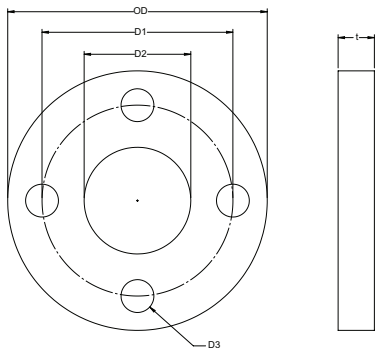


Backing Ring

Size		Description	PP - Grey	PP - Black*
mm	inch		Part Number	Part Number
20	1/2	ANSI 150#	5046005	5146005
25	3/4	ANSI 150#	5046007	5146007
32	1	ANSI 150#	5046010	5146010
40	1-1/4	ANSI 150#	5046012	5146012
50	1-1/2	ANSI 150#	5046015	5146015
63	2	ANSI 150#	5046020	5146020
75	2-1/2	ANSI 150#	5046025	5146025
90	3	ANSI 150#	5046030	5146030
110	4	ANSI 150#	5046040	5146040
160	6	ANSI 150#	5046060	5146060
200/225	8	ANSI 150#	5046080	5146080
250/280	10	ANSI 150#	5046100	5146100
315	12	ANSI 150#	5046120	5146120

*DIN bolt pattern PN 10/16 available.
 *PP black UV resistant.

Accessories



Size		Dimensions						
mm	inch	OD	D1	D2	D3	t	Weight	# of Bolt Holes
20	1/2	3.740	2.380	1.102	0.630	0.472	0.463	4
25	3/4	4.016	2.750	1.339	0.630	0.472	0.529	4
32	1	4.488	3.120	1.654	0.630	0.630	0.807	4
40	1-1/4	5.118	3.500	2.008	0.630	0.630	1.235	4
50	1-1/2	5.236	3.880	2.441	0.630	0.709	1.193	4
63	2	6.378	4.750	3.071	0.787	0.709	1.788	4
75	2-1/2	7.244	5.500	3.622	0.787	0.709	2.352	4
90	3	7.638	6.000	4.370	0.787	0.709	2.271	4
110	4	9.016	7.500	5.236	0.787	0.709	3.342	8
160	6	11.142	9.500	7.008	0.866	0.945	5.115	8
200/225	8	13.583	11.750	9.291	0.866	0.945	7.474	8
250/280	10	16.220	14.250	11.339	0.984	1.024	13.669	12
315	12	19.173	17.000	13.307	0.984	1.260	28.748	12

225mm (9") and 200mm (8") stub ends use 8" ANSI backing rings.
 Consult factory for backing rings larger than 315mm (12").

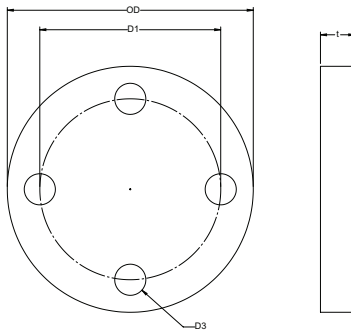
PP BLIND FLANGE



**PP
Blind Flange**

Size		Description	230 PSI Part Number
mm	inch		
20	1/2	Steel Insert, ANSI 150#	5042005
25	3/4	Steel Insert, ANSI 150#	5042007
32	1	Steel Insert, ANSI 150#	5042010
40	1-1/4	Steel Insert, ANSI 150#	5042012
50	1-1/2	Steel Insert, ANSI 150#	5042015
63	2	Steel Insert, ANSI 150#	5042020
75	2-1/2	Steel Insert, ANSI 150#	5042025
90	3	Steel Insert, ANSI 150#	5042030
110	4	Steel Insert, ANSI 150#	5042040
160	6	Steel Insert, ANSI 150#	5042060
200	8	Steel Insert, ANSI 150#	5042080
250	10	Steel Insert, ANSI 150#	5042100
315	12	Steel Insert, ANSI 150#	5042120

Accessories



Size		OD	D1	D3	t	Weight (lbs)	# of Bolt Holes
mm	inch						
20	1/2	3.740	2.380	0.630	0.472	0.569	4
25	3/4	4.016	2.750	0.630	0.472	0.750	4
32	1	4.488	3.120	0.630	0.630	1.118	4
40	1-1/4	5.118	3.500	0.630	0.630	1.614	4
50	1-1/2	5.236	3.880	0.630	0.709	1.775	4
63	2	6.378	4.750	0.787	0.709	2.690	4
75	2-1/2	7.244	5.500	0.787	0.709	3.400	4
90	3	7.638	6.000	0.787	0.709	4.057	4
110	4	9.016	7.500	0.787	0.709	6.504	8
160	6	11.142	9.500	0.866	0.945	11.244	8
200	8	13.583	11.750	0.866	0.945	17.461	8
250	10	16.220	14.250	0.984	1.024	33.400	12
315	12	19.173	17.000	0.984	1.260	63.493	12

PVDF BLIND FLANGE LINER

Size		Description	Not Pressure Rated Part Number
mm	inch		
20	1/2	ANSI 150#	5427005
25	3/4	ANSI 150#	5427007
32	1	ANSI 150#	5427010
40	1-1/4	ANSI 150#	5427012
50	1-1/2	ANSI 150#	5427015
63	2	ANSI 150#	5427020
75	2-1/2	ANSI 150#	5427025
90	3	ANSI 150#	5427030
110	4	ANSI 150#	5427040
160	6	ANSI 150#	5427060
200	8	ANSI 150#	5427080

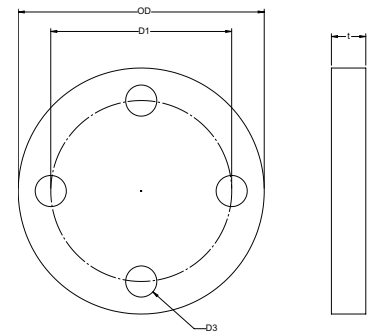


**PVDF
Blind Flange Liner**

Machined item non-returnable / non-cancelable.
Not for pressure applications unless utilized with pressure rated blind flange see above.

Accessories

Size		OD	D1	D3	t	Weight (lbs)	# of Bolt Holes
mm	inch						
20	1/2	3.740	2.380	0.630	0.669	0.258	4
25	3/4	4.016	2.750	0.630	0.669	0.340	4
32	1	4.488	3.120	0.630	0.669	0.507	4
40	1-1/4	5.118	3.500	0.630	0.669	0.732	4
50	1-1/2	5.236	3.880	0.630	0.669	0.805	4
63	2	6.378	4.750	0.787	0.669	1.220	4
75	2-1/2	7.244	5.500	0.787	0.669	1.542	4
90	3	7.638	6.000	0.787	0.669	1.840	4
110	4	9.016	7.500	0.787	0.669	2.950	8
160	6	11.142	9.500	0.866	0.669	5.100	8
200	8	13.583	11.750	0.866	0.669	7.920	8
250	10	16.220	14.250	0.984	0.669	15.150	12
315	12	19.173	17.000	0.984	0.669	28.800	12



AV Gaskets

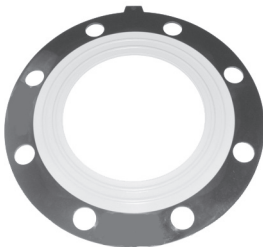
Please consult current Valve List Price book to ensure the list prices on all AV gaskets are current. Current Valve Price book supersedes this pricing.



EPDM
Durometer 65-70



PVDF
Durometer 83-85



PTFE
Durometer 95-100

CT GASKETS -PTFE*



PTFE

* Non stock-special order

AV Gaskets - EPDM

Size	Description	Part Number
1/2"	EPDM	3113005
3/4"	EPDM	3113007
1"	EPDM	3113010
1-1/4"	EPDM	3113012
1-1/2"	EPDM	3113015
2"	EPDM	3113020
2-1/2"	EPDM	3113025
3"	EPDM	3113030
4"	EPDM	3113040
6"	EPDM	3113060
8"	EPDM	3113080
10"	EPDM	3113100
12"	EPDM	3113120

AV Gaskets - PVDF

Size	Description	Part Number
1/2"	PVDF	3115005
3/4"	PVDF	3115007
1"	PVDF	3115010
1-1/2"	PVDF	3115015
2"	PVDF	3115020
3"	PVDF	3115030
4"	PVDF	3115040
6"	PVDF	3115060
8"	PVDF	3115080
10"	PVDF	3115100

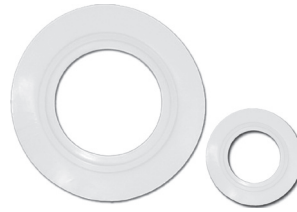
AV Gaskets - PTFE

Size	Description	Part Number
1/2"	PTFE	3114005
3/4"	PTFE	3114007
1"	PTFE	3114010
1-1/4"	PTFE	3114012
1-1/2"	PTFE	3114015
2"	PTFE	3114020
2-1/2"	PTFE	3114025
3"	PTFE	3114030
4"	PTFE	3114040
6"	PTFE	3114060
8"	PTFE	3114080
10"	PTFE	3114100
12"	PTFE	3114120

General grade, available cleaned and bagged.

Size		Description	Part Number
mm	inch		
355	14	ANSI 150#	3116140
400	16	ANSI 150#	3116160
450	18	ANSI 150#	3116180
500	20	ANSI 150#	3116200
630	24	ANSI 150#	3116240

Accessories



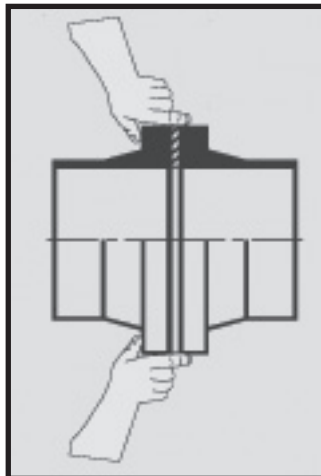
Seal Clean Gaskets

SEAL CLEAN ePTFE GASKET

Size		Description	SDR 11 Part Number	SDR 21 Part Number	SDR 33 Part Number
mm	inch				
20	1/2	ZDL, Low Torque	3175005	3171005	3173005
25	3/4	ZDL, Low Torque	3175007	3171007	3173007
32	1	ZDL, Low Torque	3175010	3171010	3173010
40	1-1/4	ZDL, Low Torque	3175012	3171012	3173012
50	1-1/2	ZDL, Low Torque	3175015	3171015	3173015
63	2	ZDL, Low Torque	3175020	3171020	3173020
75	2-1/2	ZDL, Low Torque	3175025	3171025	3173025
90	3	ZDL, Low Torque	3175030	3171030	3173030
110	4	ZDL, Low Torque	3175040	3171040	3173040
160	6	ZDL, Low Torque	3175060	3171060	3173060
200	8	ZDL, Low Torque	3175080	3171080	3173080
225	9	ZDL, Low Torque	3175090	3171090	3173090
250	10	ZDL, Low Torque	3175100	3171100	3173100
315	12	ZDL, Low Torque	3175120	3171120	3173120

Seal Clean gaskets match pipe system ID, be sure to choose correct SDR.
Not a full face gasket, OD matches Stub End shoulder OD.

Accessories



Asahi/America Tip

-Inside diameter of the gasket matches with the ID of the stub end, creating no dead space.

-Outside diameter of the gasket lines up with the OD of the stub end for easy installation.



SANITARY GASKETS

Description	EPDM	FKM	PTFE
	Part Number	Part Number	Part Number
3/4" TC Gasket	540920207	540920307	540920407
1" TC Gasket	540920210	540920310	540920410
1-1/2" TC Gasket	540920215	540920315	540920415
2" TC Gasket	540920220	540920320	540920420
2-1/2" TC Gasket	540920225	540920325	540920425
3" TC Gasket	540920230	540920330	540920430
4" TC Gasket	540920240	540920340	540920440

SANITARY CLAMP CAPS

Description	PP-N	PVDF
	Part Number	Part Number
3/4" END CAP	540920507	540920607
1-1/2" END CAP	540920515	540920615
2" END CAP	540920520	540920620
2-1/2" END CAP	540920525	540920625
3" END CAP	540920530	540920630
4" END CAP	540920540	540920640

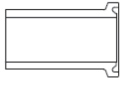

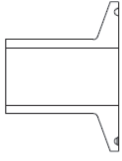
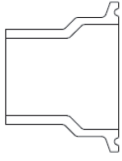
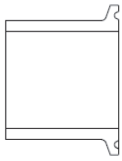

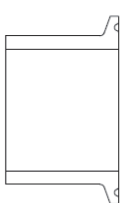

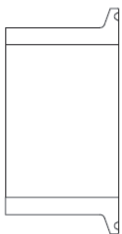

Description	Stainless Steel	PP-G
	Part Number	Part Number
3/4" SANITARY CLAMPS	540920007	540920107
1-1/2" SANITARY CLAMPS	540920015	540920115
2" SANITARY CLAMPS	540920020	540920120
2-1/2" SANITARY CLAMPS	540920025	540920125
3" SANITARY CLAMPS	540920030	540920130
4" TSANITARY CLAMPS	540920040	540920140

**Sanitary
Clamps**

TRICLAMP SIZE COMPARISON

Triclamps or **sanitary adapters** are used primarily on stainless steel systems to ease sanitation processes. The quickly disconnected fitting offers a hygienic connection between different pieces of equipment. Gaskets are designed to match the ID of the pipe and provide a smooth transition between each side.

Since **passivation** of thermoplastic piping systems is not required, sanitary adapters are not widely used. It does not make a great transition from SS to plastic systems and can be used to connect to existing equipment

Pipe OD	Cap	Clamp	Gasket
20mm			3/4" Mini 3/4"
25mm			1-1/2" 1"
32mm			1-1/2" 1-1/2"
40mm			1-1/2" 1-1/2"
50mm			2" 2"
63mm			2-1/2" 2-1/2"

Asahi Product Offering

All of Asahi's piping materials offer sanitary triclamp connections as well as several different standard gaskets and clamp materials. **For custom options, please consult Engineering.**

- Fitting:** PVDF, PPn, PP, ECTFE
- Gasket:** EPDM, FKM and PTFE
- Clamp:** Stainless, nylon
- Size:** 20-63mm pressure rated up to 6" x 160mm non-rated

Accessories



Replacement Diaphragm

REPLACEMENT DIAPHRAGM - T-342/343 HIGH PURITY DIAPHRAGM VALVES

Size		DN	Spigot Size (mm)	EPDM	PTFE/EPDM	TFM/EPDM*
mm	inch			Part Number	Part Number	Part Number
20	1/2	15	Use 25mm 3/4" DN20			
25	3/4	20	20, 25, 20/20 - 25/25	3174007	3172007	3172107
32	1	25	32, 32/20 - 110/32	3174010	3172010	-
40	1-1/4	32	Use 50mm 1-1/2" DN40			
50	1-1/2	40	40, 50	3174015	3172015	3172115
63	2	50	63, 63/40 - 63/63, 75/40 - 110/63	3174020	3172020	3172120
90	3	80	75, 90	3174030	3172030	-
110	4	100	110, 140	3174040	3172040	-

Accessories

* TFM/EPDM diaphragm is recommended instead of PTFE for use on actuated diaphragm valves (DN40, DN50). PTFE/EPDM and TFM/EPDM diaphragms cannot be reused. EPDM diaphragms may be reused if in good condition. DN refers to the metric nominal dimension, size can be found on diaphragm tab.

How to Read Spigot Size Combos				
Run	Branch	All Sizes Up to	Run	Branch
63	/ 40	-	63	/ 63

Sizes included: 63mm x 40mm, 63mm x 50mm, 63mm x 63mm.

REPLACEMENT MANUAL BONNET - T-342/343

Size		DN	Spigot Size (mm)	Part Number
mm	inch			
20	1/2	15	Use 25mm 3/4" DN20	
25	3/4	20	20, 25, 20/20 - 25/25	6365007
32	1	25	32, 32/20 - 110/32	6365010
40	1-1/4	32	Use 50mm 1-1/2" DN40	
50	1-1/2	40	40, 50	6365015
63	2	50	63, 63/40 - 63/63, 75/40 - 110/63	6365020
90	3	80	75, 90	6365030
110	4	100	110, 140	6365040



Manual Actuator

DN refers to the metric nominal dimension, size can be found on diaphragm tab.

All valve accessories listed here are only for T-342/T343 high purity diaphragm valves



REPLACEMENT ACTUATOR - T-342/343 HIGH PURITY DIAPHRAGM VALVES

Size	Spigot Size (mm)	Normally Closed Part Number	Normally Open Part Number	Air to Air Part Number
DN15, DN20	20, 25, 20/20 - 25/25	6363007	6364007	6362007
DN32	32, 32/20 - 110/32	6363010	6364010	6362010
Special DN50	<i>Special N/O 75/40, 90/40, 110/40</i>	-	6364012*	-
DN 32, DN40	40, 50	6363015	6364015	6362015
DN50	63, 63/40 - 63/63, 75/40 - 110/63	6363020	6364020	6362020

*Only for use with 75/40, 90/40, 110/40 air to close actuator.

Accessories

ACTUATION ACCESSORIES - T-342/343 HIGH PURITY DIAPHRAGM VALVES

Size	Min/Max Stroke Limitor	Part Number
20, 25, 32, X/20 - X/32	Adjustable mechanical limit mounts on top of actuator	6387010
40, 50, 63, X/40 - X/63		6387020

Size	Max Stroke Limitor	Part Number
20, 25, 32, X/20 - X/32	Mounts on top of actuator	6387098
40, 50, 63, X/40 - X/63		6387099

Size	Type 8697 Electric Position Feedback	Part Number
20, 25, 32, X/20 - X/32	Mechanical limit switches, inductive mounts on top of actuator, 10-30 V DC	6388010
40, 50, 63, X/40 - X/63		6388020

Size	Type 1071 Magnetic Position Indicator Feedback	Part Number
20, 25, 32, X/20 - X/32	Magnetic inductive position feedback mounts on side of actuator, 10-30 V DC	6389010
40, 50, 63, X/40 - X/63		6389020

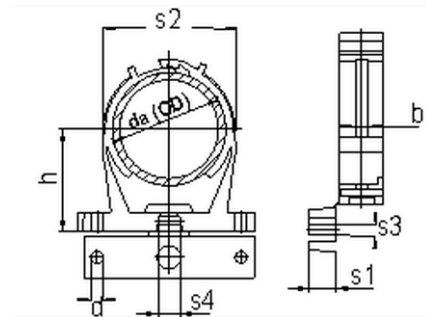
Size	Manual Override Handwheel	Part Number
20, 25, 32, X/20 - X/32	Mounts on top of actuator	6387088
40, 50, 63, X/40 - X/63		6387089

All valve accessories listed here are only for T-342/343 high purity diaphragm valves.

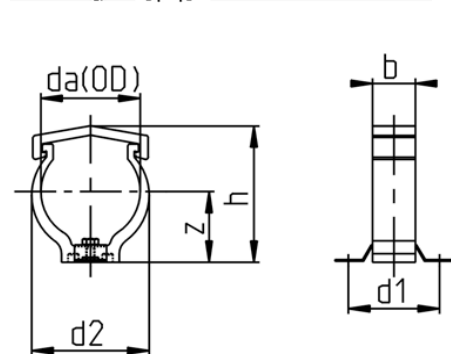


PIPE CLIPS

Size		Description	Part Number
mm	inch		
20	1/2	Snap Clips	5349005
25	3/4	Snap Clips	5349007
32	1	Snap Clips	5349010
40	1-1/4	Snap Clips	5349012
50	1-1/2	Snap Clips	5349015
63	2	2 Piece Clip	5246020
75	2-1/2	2 Piece Clip	5246025
90	3	2 Piece Clip	5246030
110	4	2 Piece Clip	5246040
160	6	2 Piece Clip	5246060
200	8	2 Piece Clip	5246080
225	9	2 Piece Clip	5246090



Size		h	s1	s2	s3/d	s4	b
mm	inch						
20	1/2	1.06	0.24	1.14	0.26	0.35	0.55
25	3/4	1.18	0.40	1.34	0.26	0.35	0.63
32	1	1.24	0.45	1.54	0.26	0.35	0.63
40	1-1/4	1.46	0.55	1.97	0.26	0.35	0.69
50	1-1/2	1.61	0.59	2.20	0.26	0.35	0.79



Size		z	d1	d2	h	b
mm	inch					
63	2	2.04	2.91	3.07	3.74	1.16
75	2-1/2	2.40	3.23	3.70	4.41	1.57
90	3	2.63	3.22	4.25	5.03	1.57
110	4	3.14	3.22	5.39	5.98	1.57
160	6	4.56	4.33	7.24	8.54	2.36
200	8	5.82	4.33	9.37	10.50	2.36
225	9	6.22	4.33	10.28	11.46	2.36



PIPE CLIPS

Size		Description	Part Number
mm	inch		
250	10	Snap Clips	5350100
280	11	Snap Clips	5350110
315	12	Snap Clips	5350120
355	14	Snap Clips	5350140
400	16	Snap Clips	5350160

10-16" pipe clips are special order.

Size		B	D	E	d3	Z1	Z2
mm	inch						
250	10	7.88	0.98	1.57	0.51	7.19	5.61
280	11	7.88	0.98	1.57	0.51	7.78	6.12
315	12	8.86	0.98	1.57	0.51	8.6	6.75
355	14	10.12	1.18	1.97	0.67	10.87	8.27
400	16	11.34	1.18	1.97	0.67	11.85	9.06

