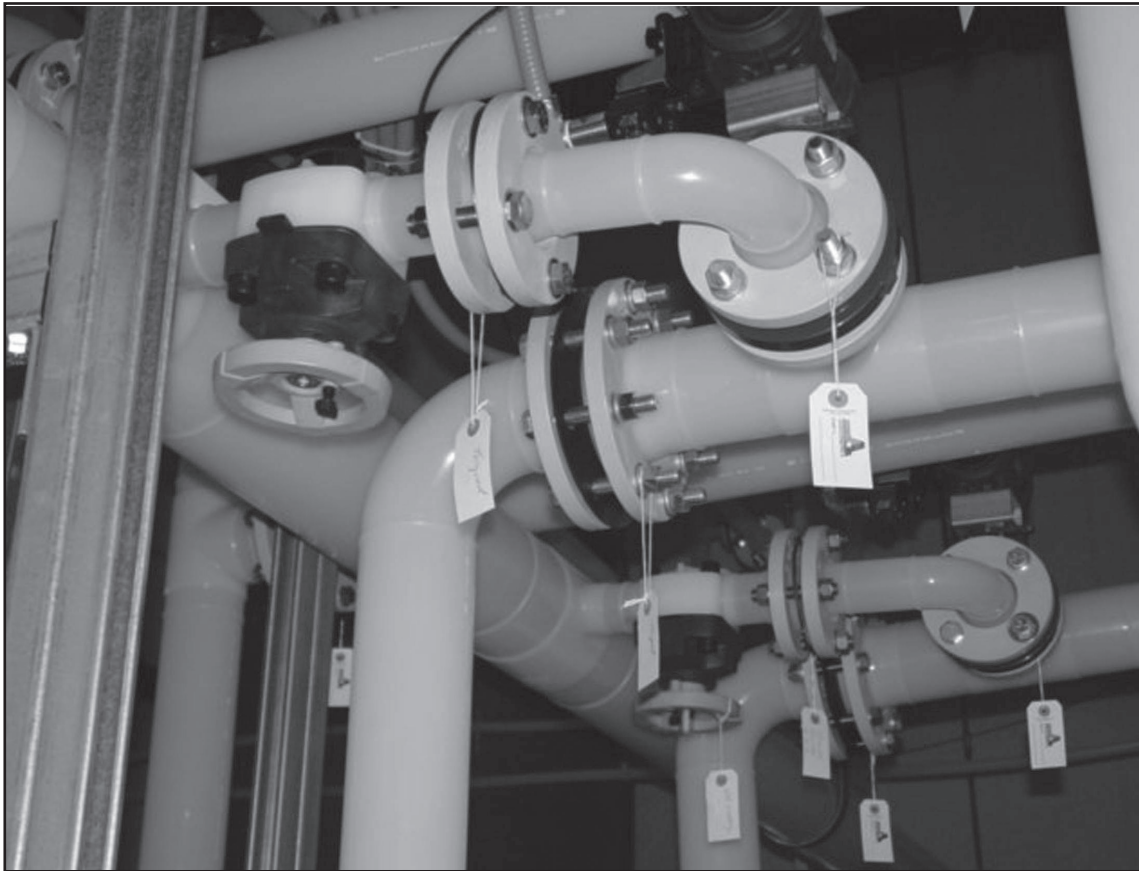




PPN Piping System Cost Effective Purity



PolyPure[®]

Natural Polypropylene (PPn)

High Purity Piping System

REV:HP0512PN

PolyPure[®]

Materials: ASTM D4101 Group 2, Class 1 natural polypropylene random copolymer resin. Resin shall comply with FDA Code of Federal Regulators (CFR), Title 21, Chapter 1: Section 177.1520 determining suitability for contact with foodstuff.

Pipe Production: Dimensions and tolerances shall exceed ISO 15494 requirement. Pipe shall be extruded in ISO Class 5 cleanroom environment.

Fitting Production: Dimensions and tolerances shall exceed ISO 15494 requirement. Fittings shall be molded with a central injection gate in ISO Class 5 cleanroom environment.

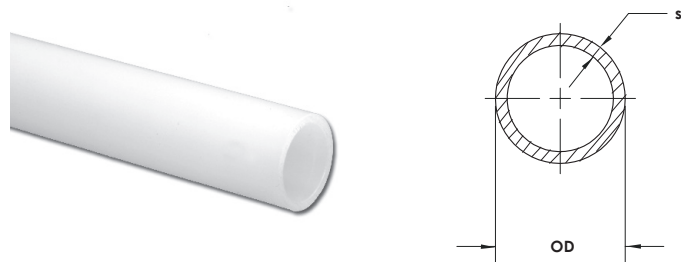
Pressure Rating: Components shall be pressure rated in accordance with ASTM D2837 and DIN 8077 for hydrostatic design basis. Components shall be manufactured to standard dimensional ratio (SDR) 11.

Based on continuous service life of 50 years at 68° F (20° C).

SDR11: 150psi (PN10)

PN = Nominal pressure in bar.

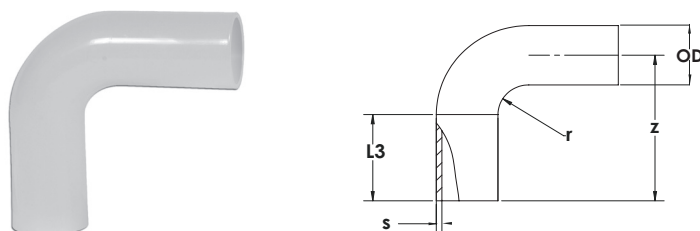
Joining: Available methods shall be according to the schedule below
 DVS 2208-1 Socket: 1/2" (20mm) through 2" (63mm)
 DVS 2207-11 Contact Butt: 1/2" (20mm) through 4" (110mm)
 DVS 2207-6 Non Contact IR: 1/2" (20mm) through 4" (110mm)
 Beadless Fusion: 1/2" (20mm) through 2" (63mm)



PIPE* 5 meter (16.4') lengths

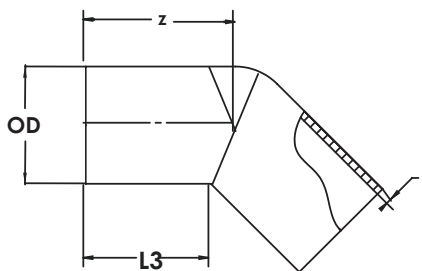
| Size | | Quantity per bag | SDR 11 / PN 10 / 150 PSI | | |
|------|-------|------------------|--------------------------|------------------|-------------|
| mm | inch | | s | Weight (lbs/lth) | Part Number |
| 20 | 1/2 | 5 | 0.075 | 1.18 | 6301005 |
| 25 | 3/4 | 4 | 0.091 | 1.81 | 6301007 |
| 32 | 1 | 3 | 0.114 | 2.87 | 6301010 |
| 40 | 1-1/4 | 1 | 0.146 | 4.54 | 6301012 |
| 50 | 1-1/2 | 1 | 0.181 | 7.03 | 6301015 |
| 63 | 2 | 1 | 0.228 | 11.13 | 6301020 |
| 90 | 3 | 1 | 0.323 | 22.27 | 6301030 |
| 110 | 4 | 1 | 0.394 | 33.18 | 6301040 |

*Sold in sealed bag quantities in 5m lengths only.
 20-32mm only sold in bagged tube quantities, 20mm 5 LTS, 25 4 LTS, 32 3 LTS



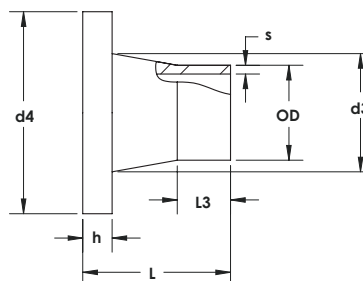
EXTENDED LEG 90 DEGREE ELBOW

| Size | | Dimensions | | | | SDR 11 / PN 10 / 150 PSI | |
|------|-------|------------|-------|-------|-------|--------------------------|-------------|
| mm | inch | z | r | L3 | s | Weight (lbs) | Part Number |
| 20 | 1/2 | 2.323 | 0.787 | 1.457 | 0.075 | 0.04 | 6302005 |
| 25 | 3/4 | 2.618 | 0.984 | 1.535 | 0.091 | 0.07 | 6302007 |
| 32 | 1 | 3.091 | 1.260 | 1.732 | 0.118 | 0.11 | 6302010 |
| 40 | 1-1/4 | 3.602 | 1.575 | 1.929 | 0.146 | 0.20 | 6302012 |
| 50 | 1-1/2 | 4.213 | 1.969 | 2.205 | 0.181 | 0.31 | 6302015 |
| 63 | 2 | 5.000 | 2.480 | 2.520 | 0.228 | 0.59 | 6302020 |
| 90 | 3 | 6.535 | 3.543 | 2.953 | 0.322 | 1.57 | 6302030 |
| 110 | 4 | 7.421 | 4.331 | 2.953 | 0.394 | 2.54 | 6302040 |



45 DEGREE ELBOW

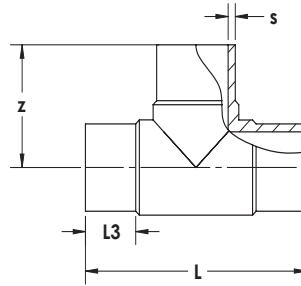
| Size | | Dimensions | | | SDR 11 / PN 10 / 150 PSI | |
|------|-------|------------|-------|-------|--------------------------|-------------|
| mm | inch | z | L3 | s | Weight (lbs) | Part Number |
| 20 | 1/2 | 1.732 | 1.535 | 0.071 | 0.02 | 6314005 |
| 25 | 3/4 | 1.890 | 1.654 | 0.091 | 0.04 | 6314007 |
| 32 | 1 | 2.244 | 1.929 | 0.118 | 0.09 | 6314010 |
| 40 | 1-1/4 | 2.480 | 2.087 | 0.146 | 0.13 | 6314012 |
| 50 | 1-1/2 | 2.756 | 2.244 | 0.181 | 0.22 | 6314015 |
| 63 | 2 | 3.150 | 2.520 | 0.228 | 0.42 | 6314020 |
| 90 | 3 | 4.094 | 3.228 | 0.323 | 0.97 | 6314030 |
| 110 | 4 | 4.252 | 3.228 | 0.394 | 1.54 | 6314040 |



STUB END* (FLANGE ADAPTER)

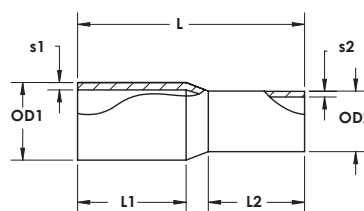
| Size | | Dimensions | | | | | SDR 11 / PN 10 / 150 PSI | | |
|------|-------|------------|-------|-------|-------|-------|--------------------------|--------------|-------------|
| mm | inch | L | L3 | d3 | d4 | h | s | Weight (lbs) | Part Number |
| 20 | 1/2 | 1.969 | 1.181 | 1.063 | 1.752 | 0.276 | 0.071 | 0.04 | 6330005 |
| 25 | 3/4 | 1.969 | 0.984 | 1.299 | 2.130 | 0.354 | 0.091 | 0.07 | 6330007 |
| 32 | 1 | 1.969 | 0.984 | 1.575 | 2.500 | 0.394 | 0.118 | 0.11 | 6330010 |
| 40 | 1-1/4 | 1.969 | 0.787 | 1.969 | 2.815 | 0.433 | 0.146 | 0.13 | 6330012 |
| 50 | 1-1/2 | 1.969 | 0.787 | 2.402 | 3.250 | 0.472 | 0.181 | 0.18 | 6330015 |
| 63 | 2 | 1.969 | 0.709 | 2.953 | 3.953 | 0.551 | 0.228 | 0.29 | 6330020 |
| 90 | 3 | 3.150 | 1.575 | 4.134 | 5.213 | 0.669 | 0.323 | 0.68 | 6330030 |
| 110 | 4 | 3.15 | 1.496 | 4.921 | 6.713 | 0.709 | 0.394 | 0.99 | 6330040 |

*Requires backing ring. See page 114.



TEE

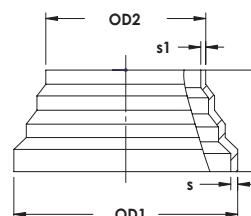
| Size | | Dimensions | | | SDR 11 / PN 10 / 150 PSI | | |
|------|-------|------------|-------|-------|--------------------------|--------------|-------------|
| mm | inch | z | L | L3 | s | Weight (lbs) | Part Number |
| 20 | 1/2 | 1.339 | 2.677 | 0.689 | 0.075 | 0.04 | 6318005 |
| 25 | 3/4 | 1.575 | 3.150 | 0.807 | 0.091 | 0.07 | 6318007 |
| 32 | 1 | 1.772 | 3.543 | 0.807 | 0.114 | 0.09 | 6318010 |
| 40 | 1-1/4 | 1.969 | 3.937 | 0.807 | 0.146 | 0.15 | 6318012 |
| 50 | 1-1/2 | 2.362 | 4.724 | 0.906 | 0.181 | 0.29 | 6318015 |
| 63 | 2 | 2.835 | 5.669 | 0.984 | 0.228 | 0.53 | 6318020 |
| 90 | 3 | 4.134 | 8.386 | 1.496 | 0.323 | 1.63 | 6318030 |
| 110 | 4 | 4.803 | 9.961 | 2.008 | 0.394 | 2.73 | 6318040 |



EXTENDED LEG CONCENTRIC REDUCER

| Size | | Dimensions | | | | | SDR 11 / PN 10 / 150 PSI | |
|----------|---------------|------------|-------|-------|-------|-------|--------------------------|-------------|
| mm | inch | L | L1 | L2 | s1 | s2 | Weight (lbs) | Part Number |
| 25 x 20 | 3/4 x 1/2 | 3.425 | 1.575 | 1.614 | 0.091 | 0.075 | 0.04 | 6338101 |
| 32 x 20 | 1 x 1/2 | 3.622 | 1.693 | 1.535 | 0.114 | 0.075 | 0.07 | 6338130 |
| 32 x 25 | 1 x 3/4 | 3.622 | 1.732 | 1.535 | 0.114 | 0.091 | 0.07 | 6338131 |
| 40 x 20 | 1-1/4 x 1/2 | 7.500 | 2.760 | 2.760 | 0.146 | 0.075 | 0.09 | 6338166* |
| 40 x 25 | 1-1/4 x 3/4 | 7.000 | 2.790 | 2.790 | 0.146 | 0.091 | 0.09 | 6338167* |
| 40 x 32 | 1-1/4 x 1 | 4.016 | 1.890 | 1.772 | 0.146 | 0.114 | 0.09 | 6338168 |
| 50 x 20 | 1-1/2 x 1/2 | 7.500 | 2.480 | 2.480 | 0.181 | 0.075 | 0.13 | 6338208* |
| 50 x 25 | 1-1/2 x 3/4 | 4.646 | 2.165 | 1.732 | 0.181 | 0.091 | 0.13 | 6338210 |
| 50 x 32 | 1-1/2 x 1 | 4.646 | 2.323 | 1.811 | 0.181 | 0.114 | 0.15 | 6338211 |
| 50 x 40 | 1-1/2 x 1-1/4 | 6.500 | 2.820 | 2.820 | 0.181 | 0.146 | 0.15 | 6338212* |
| 63 x 20 | 2 x 1/2 | 7.500 | 2.370 | 2.370 | 0.228 | 0.075 | 0.24 | 6338246* |
| 63 x 25 | 2 x 3/4 | 7.500 | 2.370 | 2.370 | 0.228 | 0.091 | 0.24 | 6338248* |
| 63 x 32 | 2 x 1 | 5.354 | 2.520 | 1.929 | 0.228 | 0.114 | 0.24 | 6338249 |
| 63 x 40 | 2 x 1-1/4 | 7.000 | 2.740 | 2.740 | 0.228 | 0.146 | 0.24 | 6338250* |
| 63 x 50 | 2 x 1-1/2 | 5.906 | 2.598 | 2.323 | 0.228 | 0.181 | 0.31 | 6338251 |
| 90 x 63 | 3 x 2 | 5.906 | 2.598 | 2.323 | 0.323 | 0.228 | 1.31 | 6338338* |
| 110 x 63 | 4 x 2 | 5.906 | 2.598 | 2.323 | 0.394 | 0.228 | 2.31 | 6338420* |
| 110 x 90 | 4 x 3 | 7.000 | 3.000 | 3.000 | 0.394 | 0.323 | 2.31 | 6338422* |

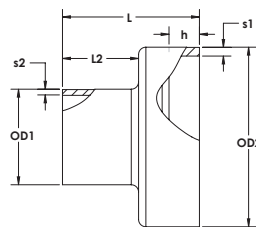
* Items are fabricated extended leg reducers with IR weld. Fabricated items are non-returnable / non-cancelable.



STEPPED CONCENTRIC REDUCER

| Size | | Dimensions | | | SDR 11 / PN 10 / 150 PSI | |
|----------|---------|------------|-------|-------|--------------------------|-------------|
| mm | inch | L | s | s1 | Weight (lbs) | Part Number |
| 63 x 16 | 2 x 3/8 | 2.126 | 0.228 | 0.071 | 0.04 | 6337247 |
| 110 x 63 | 4 x 2 | 2.441 | 0.394 | 0.228 | 0.07 | 6337420 |

Stepped concentric reducer contains all sizes within the range. Spigot ends are short allowing for one tight weld. Can not be use with beadless welds.



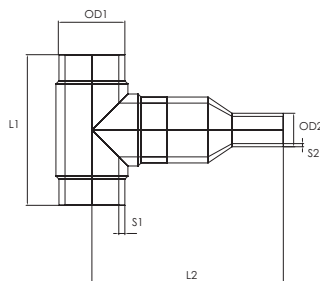
MACHINED FLUSH REDUCER

| Size | | | | | | | SDR 11* |
|----------|-------------|-------|-------|-------|-------|------|-------------|
| mm | inch | s1 | s2 | L | L2 | h | Part Number |
| 40 x 20 | 1-1/4 x 1/2 | 0.146 | 0.075 | 2.250 | 1.250 | .500 | 6348166 |
| 40 x 25 | 1-1/4 x 3/4 | 0.146 | 0.091 | 2.250 | 1.250 | .500 | 6348167 |
| 50 x 20 | 1-1/2 x 1/2 | 0.181 | 0.075 | 2.250 | 1.250 | .500 | 6348208 |
| 50 x 25 | 1-1/2 x 3/4 | 0.181 | 0.091 | 2.250 | 1.250 | .500 | 6348210 |
| 63 x 20 | 2 x 1/2 | 0.228 | 0.075 | 2.250 | 1.250 | .500 | 6348246 |
| 63 x 25 | 2 x 3/4 | 0.228 | 0.091 | 2.250 | 1.250 | .500 | 6348248 |
| 90 x 20 | 3 x 1/2 | 0.323 | 0.075 | 2.250 | 1.250 | .500 | 6348332 |
| 90 x 25 | 3 x 3/4 | 0.323 | 0.091 | 2.250 | 1.250 | .500 | 6348333 |
| 90 x 32 | 3 x 1 | 0.323 | 0.120 | 2.250 | 1.250 | .500 | 6348336 |
| 90 x 40 | 3 x 1-1/4 | 0.323 | 0.146 | 2.250 | 1.250 | .500 | 6348335 |
| 90 x 50 | 3 x 1-1/2 | 0.323 | 0.181 | 2.250 | 1.250 | .500 | 6348337 |
| 110 x 20 | 4 x 1/2 | 0.394 | 0.075 | 2.250 | 1.250 | .500 | 6348399 |
| 110 x 25 | 4 x 3/4 | 0.394 | 0.091 | 2.250 | 1.250 | .500 | 6348404 |
| 110 x 32 | 4 x 1 | 0.394 | 0.120 | 2.250 | 1.250 | .500 | 6348401 |
| 110 x 40 | 4 x 1-1/4 | 0.394 | 0.146 | 2.250 | 1.250 | .500 | 6348412 |
| 110 x 50 | 4 x 1-1/2 | 0.394 | 0.181 | 2.250 | 1.250 | .500 | 6348415 |

Machined items are non-returnable / non-cancelable.

*Consult Asahi/America for pressure rating.





FABRICATED REDUCING TEE

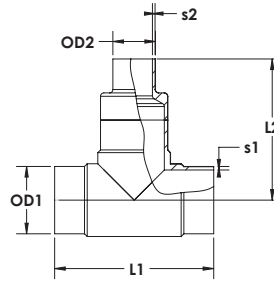
| Size | | Dimensions | | | | | | SDR 11 / PN 10 / 150 PSI |
|----------|---------------|------------|------|------|------|-------|-------|--------------------------|
| mm | inch | OD1 | OD2 | L1 | L2* | S1 | S2 | Part Number |
| 25 x 20 | 3/4 x 1/2 | 0.98 | 0.79 | 3.15 | 2.96 | 0.109 | 0.098 | 6322101 |
| 32 x 20 | 1 x 1/2 | 1.26 | 0.79 | 3.54 | 4.25 | 0.120 | 0.098 | 6322130 |
| 32 x 25 | 1 x 3/4 | 1.26 | 0.98 | 3.54 | 3.51 | 0.120 | 0.109 | 6322131 |
| 40 x 20 | 1-1/4 x 1/2 | 1.57 | 0.79 | 3.94 | 4.75 | 0.144 | 0.098 | 6322166* |
| 40 x 25 | 1-1/4 x 3/4 | 1.57 | 0.98 | 3.94 | 4.5 | 0.144 | 0.109 | 6322167* |
| 40 x 32 | 1-1/4 x 1 | 1.57 | 1.26 | 3.94 | 3.74 | 0.144 | 0.120 | 6322168 |
| 50 x 20 | 1-1/2 x 1/2 | 1.97 | 0.79 | 4.72 | 5.80 | 0.179 | 0.098 | 6322208* |
| 50 x 25 | 1-1/2 x 3/4 | 1.97 | 0.98 | 4.72 | 4.39 | 0.179 | 0.109 | 6322210 |
| 50 x 32 | 1-1/2 x 1 | 1.97 | 1.26 | 4.72 | 4.17 | 0.179 | 0.120 | 6322211 |
| 50 x 40 | 1-1/2 x 1-1/4 | 1.97 | 1.57 | 4.72 | 4.25 | 0.179 | 0.144 | 6322212* |
| 63 x 20 | 2 x 1/2 | 2.48 | 0.79 | 5.67 | 7.00 | 0.226 | 0.098 | 6322246* |
| 63 x 25 | 2 x 3/4 | 2.48 | 0.98 | 5.67 | 6.50 | 0.226 | 0.109 | 6322248* |
| 63 x 32 | 2 x 1 | 2.48 | 1.26 | 5.67 | 5.49 | 0.226 | 0.120 | 6322249 |
| 63 x 40 | 2 x 1-1/4 | 2.48 | 1.57 | 5.67 | 5.50 | 0.226 | 0.144 | 6322250* |
| 63 x 50 | 2 x 1-1/2 | 2.48 | 1.97 | 5.67 | 4.88 | 0.226 | 0.179 | 6322251 |
| 90 x 63 | 3 x 2 | 3.55 | 2.48 | 5.98 | 6.00 | 0.322 | 0.226 | 6322338* |
| 110 x 63 | 4 x 2 | 4.33 | 2.48 | 8.38 | 7.75 | 0.394 | 0.226 | 6322420* |
| 110 x 90 | 4 x 3 | 4.33 | 3.44 | 8.38 | 6.50 | 0.394 | 0.322 | 6322422* |

Fabricated from tee and reducer with IR weld.

*Items utilize fabricated extended leg reducer.

Fabricated items are non-returnable / non-cancelable.

*Fabricated dimension tolerance +/- 1/4".



FABRICATED FLUSH REDUCING TEE*

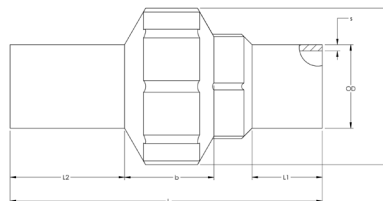
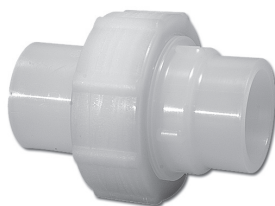
| Size | | Dimensions | | | | SDR 11* |
|----------|-------------|------------|-------|-------|-------|-------------|
| mm | inch | L1 | L2 | s1 | s2 | Part Number |
| 40 x 20 | 1-1/4 x 1/2 | 3.937 | 3.878 | 0.109 | 0.098 | 6335166 |
| 40 x 25 | 1-1/4 x 3/4 | 3.937 | 4.075 | 0.109 | 0.109 | 6335167 |
| 50 x 20 | 1-1/2 x 1/2 | 4.724 | 3.878 | 0.226 | 0.098 | 6335208 |
| 50 x 25 | 1-1/2 x 3/4 | 4.724 | 4.075 | 0.226 | 0.109 | 6335210 |
| 63 x 20 | 2 x 1/2 | 5.866 | 3.878 | 0.226 | 0.098 | 6335246 |
| 63 x 25 | 2 x 3/4 | 5.866 | 4.075 | 0.226 | 0.109 | 6335248 |
| 90 x 20 | 3 x 1/2 | 7.126 | 3.878 | 0.322 | 0.098 | 6335332 |
| 90 x 25 | 3 x 3/4 | 7.126 | 4.075 | 0.322 | 0.109 | 6335333 |
| 90 x 32 | 3 x 1 | 7.126 | 4.272 | 0.322 | 0.120 | 6335336 |
| 90 x 40 | 3 x 1-1/4 | 7.126 | 4.469 | 0.322 | 0.014 | 6335335 |
| 90 x 50 | 3 x 1-1/2 | 7.126 | 4.862 | 0.322 | 0.179 | 6335337 |
| 110 x 20 | 4 x 1/2 | 8.780 | 3.878 | 0.394 | 0.098 | 6335399 |
| 110 x 25 | 4 x 3/4 | 8.780 | 4.075 | 0.394 | 0.109 | 6335404 |
| 110 x 32 | 4 x 1 | 8.78 | 4.272 | 0.394 | 0.120 | 6335401 |
| 110 x 40 | 4 x 1-1/4 | 8.780 | 4.469 | 0.394 | 0.144 | 6335412 |
| 110 x 50 | 4 x 1-1/2 | 8.780 | 4.862 | 0.394 | 0.179 | 6335415 |

Fabricated from tee and reducer with IR weld.

*Fabricated items are non-returnable / non-cancelable.

*Consult Asahi/America for pressure rating.

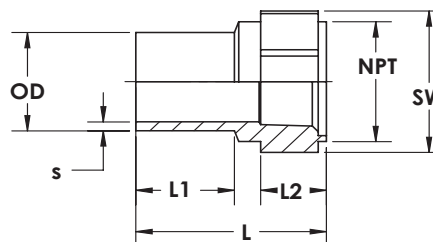




UNION

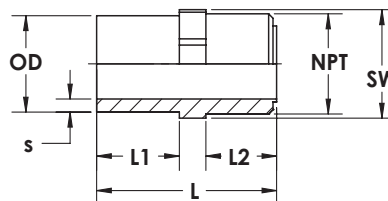
| Size | | Dimensions | | | | | SDR 11 / PN 10 / 150 PSI | | |
|------|-------|------------|-------|-------|-------|-------|--------------------------|--------------|-------------------------|
| mm | inch | L | L1 | L2 | d | b | s | Weight (lbs) | FKM O-Rings Part Number |
| 20 | 1/2 | 4.213 | 0.945 | 0.945 | 1.850 | 0.945 | 0.075 | 0.11 | 6334005 |
| 25 | 3/4 | 4.409 | 0.945 | 0.945 | 2.244 | 1.024 | 0.091 | 0.18 | 6334007 |
| 32 | 1 | 4.685 | 0.984 | 0.984 | 2.520 | 1.181 | 0.094 | 0.24 | 6334010 |
| 40 | 1-1/4 | 4.921 | 0.984 | 0.984 | 3.071 | 1.220 | 0.094 | 0.40 | 6334012 |
| 50 | 1-1/2 | 5.118 | 0.984 | 0.984 | 3.504 | 1.378 | 0.118 | 0.55 | 6334015 |
| 63 | 2 | 5.354 | 0.984 | 0.984 | 4.291 | 1.535 | 0.118 | 0.88 | 6334020 |

*Items are non-stock, which are non-returnable / non-cancelable.
 PVDF union blanks are available. See page 23.



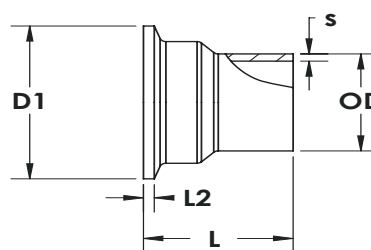
FEMALE ADAPTER

| Size | | Dimensions | | | | | | SDR 11 / PN 10 / 150 PSI | |
|------|-------|------------|-------|-------|-------|-------|-------|--------------------------|-------------|
| mm | inch | s | L | L1 | L2 | SW | NPT | Weight (lbs) | Part Number |
| 20 | 1/2 | 0.098 | 1.772 | 0.827 | 0.630 | 1.260 | 1/2 | 0.02 | 6349005 |
| 25 | 3/4 | 0.106 | 1.969 | 0.984 | 0.669 | 1.614 | 3/4 | 0.07 | 6349007 |
| 32 | 1 | 0.114 | 2.283 | 1.181 | 0.787 | 1.811 | 1 | 0.09 | 6349010 |
| 40 | 1-1/4 | 0.146 | 2.441 | 1.181 | 0.945 | 2.165 | 1-1/4 | 0.13 | 6349012 |
| 50 | 1-1/2 | 0.181 | 2.677 | 1.339 | 0.945 | 2.756 | 1-1/2 | 0.22 | 6349015 |
| 63 | 2 | 0.228 | 2.953 | 1.417 | 1.102 | 3.346 | 2 | 0.35 | 6349020 |



MALE ADAPTER

| Size | | Dimensions | | | | | | SDR 11 / PN 10 / 150 PSI | |
|------|-------|------------|-------|-------|-------|-------|-------|--------------------------|-------------|
| mm | inch | s | L | L1 | L2 | SW | NPT | Weight (lbs) | Part Number |
| 20 | 1/2 | 0.075 | 1.811 | 0.748 | 0.709 | 0.866 | 1/2 | 0.02 | 6347005 |
| 25 | 3/4 | 0.091 | 2.008 | 0.866 | 0.787 | 1.063 | 3/4 | 0.02 | 6347007 |
| 32 | 1 | 0.114 | 2.402 | 1.102 | 0.945 | 1.417 | 1 | 0.07 | 6347010 |
| 40 | 1-1/4 | 0.146 | 2.598 | 1.142 | 1.024 | 1.811 | 1-1/4 | 0.13 | 6347012 |
| 50 | 1-1/2 | 0.181 | 2.913 | 1.260 | 1.102 | 2.165 | 1-1/2 | 0.13 | 6347015 |
| 63 | 2 | 0.228 | 3.150 | 1.378 | 1.220 | 2.559 | 2 | 0.13 | 6347020 |

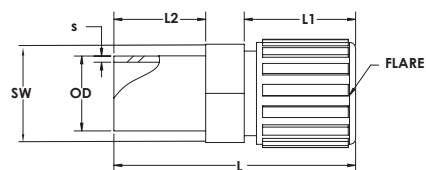


SANITARY ADAPTER

| Size | | | Dimensions | | | | SDR 11 / MOP 120 PSI | |
|------|-------|----------|------------|-------|-------|-------|----------------------|-------------|
| mm | inch | Sanitary | L | L2 | D1 | s | Weight (lbs) | Part Number |
| 20 | 1/2 | 3/4" | 1.50 | 0.142 | 0.984 | 0.075 | 0.07 | 6360101 |
| 25 | 3/4 | 1" | 1.50 | 0.110 | 1.984 | 0.091 | 0.07 | 6360131 |
| 32 | 1 | 1-1/2" | 1.50 | 0.110 | 1.984 | 0.114 | 0.07 | 6360168 |
| 40 | 1-1/4 | 1-1/2" | 1.50 | 0.110 | 1.984 | 0.146 | 0.09 | 6360212 |
| 50 | 1-1/2 | 2" | 1.50 | 0.110 | 2.490 | 0.181 | 0.09 | 6360251 |
| 63 | 2 | 2-1/2" | 1.50 | 0.110 | 2.990 | 0.228 | 0.09 | 6360292 |

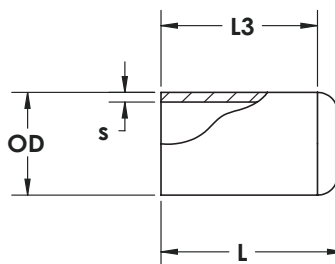
Please see page 393 for gaskets and clamps.
Maximum operating pressure is 120psi.





FLARE ADAPTER

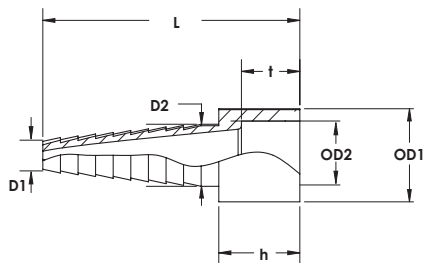
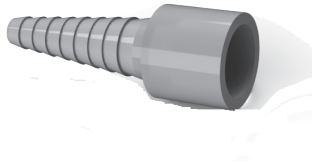
| Size | | Dimensions | | | | | | SDR 11 / PN 10 / 150 PSI |
|------|------|------------|-------|-------|-------|-------|-------|--------------------------|
| mm | Inch | Flare inch | s | L | L1 | L2 | SW | Part Number |
| 20 | 1/2 | 1/4 | 0.075 | 3.190 | 1.142 | 1.500 | 0.945 | 6306096 |
| 20 | 1/2 | 3/8 | 0.075 | 3.310 | 1.260 | 1.500 | 0.945 | 6306098 |
| 20 | 1/2 | 1/2 | 0.075 | 3.400 | 1.260 | 1.500 | 1.063 | 6306005 |
| 25 | 3/4 | 3/8 | 0.075 | 3.360 | 1.260 | 1.500 | 1.181 | 6306106 |
| 25 | 3/4 | 1/2 | 0.075 | 3.400 | 1.300 | 1.500 | 1.181 | 6306101 |
| 25 | 3/4 | 3/4 | 0.075 | 3.560 | 1.456 | 1.500 | 1.181 | 6306007 |
| 32 | 1 | 3/8 | 0.094 | 3.390 | 1.260 | 1.500 | 1.614 | 6306105 |
| 32 | 1 | 1/2 | 0.094 | 3.430 | 1.260 | 1.500 | 1.614 | 6306130 |
| 32 | 1 | 3/4 | 0.094 | 3.590 | 1.456 | 1.500 | 1.614 | 6306131 |
| 32 | 1 | 1 | 0.094 | 3.860 | 1.732 | 1.500 | 1.614 | 6306010 |



END CAP

| Size | | Dimensions | | SDR 11 / PN 10 / 150 PSI | | |
|------|-------|------------|-------|--------------------------|--------------|-------------|
| mm | inch | L | L3 | s | Weight (lbs) | Part Number |
| 20 | 1/2 | 1.850 | 1.614 | 0.098 | 0.02 | 6343005 |
| 25 | 3/4 | 1.929 | 1.614 | 0.109 | 0.02 | 6343007 |
| 32 | 1 | 2.165 | 1.850 | 0.120 | 0.04 | 6343010 |
| 40 | 1-1/4 | 2.520 | 2.008 | 0.144 | 0.07 | 6343012 |
| 50 | 1-1/2 | 2.874 | 2.362 | 0.179 | 0.11 | 6343015 |
| 63 | 2 | 3.307 | 2.677 | 0.226 | 0.22 | 6343020 |
| 90 | 3 | 4.213 | 3.307 | 0.322 | 0.55 | 6343030* |
| 110 | 4 | 5.276 | 3.819 | 0.394 | 0.93 | 6343040* |

*Machined item, non-returnable / non-cancelable.

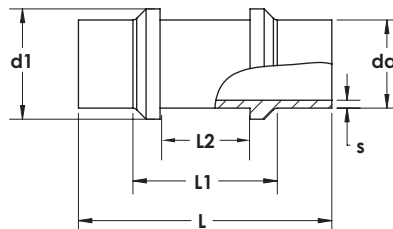
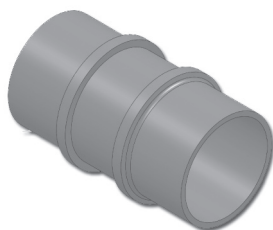


HOSE BARB*

| Size | | Dimensions | | | | | | SDR 11 / PN 10 / 150 PSI | |
|--------|-------|------------|-------|-------|-------|-----|-----|--------------------------|--|
| Outlet | OD1 | OD2 | L | h | t | D1 | D2 | Part Number | |
| 1/4" | 25 mm | 20 mm | 2.778 | 0.875 | 0.656 | 1/4 | 1/2 | 840704000 | |

*Hose barb can be IR fused to 25mm or socket fused with 20mm pipe fitting.

Hose barb is 1/4" - 1/2" OD.

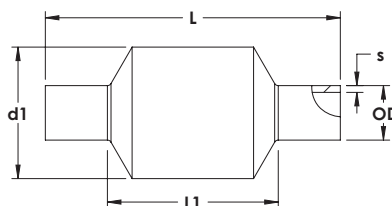


RESTRAINT FITTING*

| Size | | Dimensions | | | | SDR 11 / PN 10 / 150 PSI | | |
|------|-------|------------|-------|-------|-------|--------------------------|--------------|-------------|
| mm | inch | L | L1 | L2 | d1 | s | Weight (lbs) | Part Number |
| 32 | 1 | 3.661 | 2.087 | 1.299 | 1.575 | 0.114 | 0.07 | 6305010 |
| 40 | 1-1/4 | 3.661 | 2.087 | 1.299 | 1.890 | 0.146 | 0.07 | 6305012 |
| 50 | 1-1/2 | 4.449 | 2.087 | 1.299 | 2.283 | 0.181 | 0.07 | 6305015 |
| 63 | 2 | 4.331 | 1.969 | 1.220 | 2.795 | 0.228 | 0.07 | 6305020 |
| 90 | 3 | 5.118 | 2.756 | 1.575 | 4.134 | 0.323 | 0.07 | 6305030 |
| 110 | 4 | 5.118 | 2.756 | 1.575 | 5.000 | 0.394 | 0.07 | 6305040 |

*Restraint fittings are a machined item, non-returnable / non-cancelable.

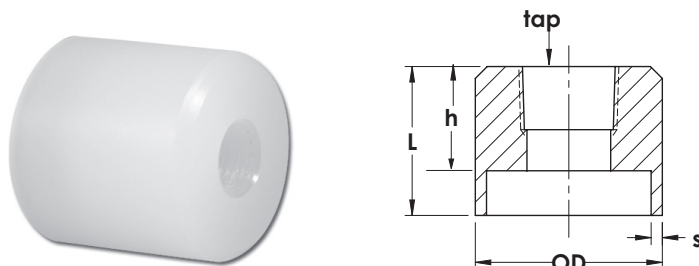




INSTRUMENTATION FITTING*

| Size | | Description | Dimensions | | | SDR 11 / PN 10 / 150 PSI | | |
|------|-------|-------------|------------|-------|-------|--------------------------|--------------|-------------|
| mm | inch | | L | L1 | d1 | s | Weight (lbs) | Part Number |
| 20 | 1/2 | Solid | 4.724 | 1.969 | 1.969 | 0.098 | 0.684 | 6304005 |
| 20 | 1/2 | 1/4" Tap | 4.724 | 1.969 | 1.969 | 0.098 | 0.684 | 6304096 |
| 25 | 3/4 | Solid | 4.724 | 1.969 | 2.165 | 0.106 | 0.573 | 6304007 |
| 25 | 3/4 | 1/4" Tap | 4.724 | 1.969 | 2.165 | 0.106 | 0.573 | 6304103 |
| 32 | 1 | Solid | 4.724 | 1.969 | 2.362 | 0.114 | 0.595 | 6304010 |
| 32 | 1 | 1/4" Tap | 4.724 | 1.969 | 2.362 | 0.114 | 0.595 | 6304104 |
| 32 | 1 | 1/2" Tap | 4.724 | 1.969 | 2.362 | 0.114 | 0.595 | 6304130 |
| 40 | 1-1/4 | Solid | 4.724 | 1.969 | 2.953 | 0.146 | 0.882 | 6304012 |
| 40 | 1-1/4 | 1/4" Tap | 4.724 | 1.969 | 2.953 | 0.146 | 0.882 | 6304159 |
| 40 | 1-1/4 | 1/2" Tap | 4.724 | 1.969 | 2.953 | 0.146 | 0.882 | 6304166 |
| 50 | 1-1/2 | Solid | 4.724 | 1.969 | 3.150 | 0.181 | 0.904 | 6304015 |
| 50 | 1-1/2 | 1/4" Tap | 4.724 | 1.969 | 3.150 | 0.181 | 0.904 | 6304207 |
| 50 | 1-1/2 | 1/2" Tap | 4.724 | 1.969 | 3.150 | 0.181 | 0.904 | 6304208 |
| 63 | 2 | Solid | 4.724 | 2.047 | 3.307 | 0.228 | 0.860 | 6304020 |
| 63 | 2 | 1/4" Tap | 4.724 | 2.047 | 3.307 | 0.228 | 0.860 | 6304244 |
| 63 | 2 | 1/2" Tap | 4.724 | 2.047 | 3.307 | 0.228 | 0.860 | 6304246 |
| 90 | 3 | Solid | 5.866 | 2.362 | 4.134 | 0.169 | 1.367 | 6304030 |
| 90 | 3 | 1/4" Tap | 5.866 | 2.362 | 4.134 | 0.169 | 1.367 | 6304330 |
| 90 | 3 | 1/2" Tap | 5.866 | 2.362 | 4.134 | 0.169 | 1.367 | 6304332 |
| 110 | 4 | Solid | 5.906 | 2.362 | 4.882 | 0.209 | 1.830 | 6304040 |
| 110 | 4 | 1/4" Tap | 5.906 | 2.362 | 4.882 | 0.209 | 1.830 | 6304402 |
| 110 | 4 | 1/2" Tap | 5.906 | 2.362 | 4.882 | 0.209 | 1.830 | 6304399 |

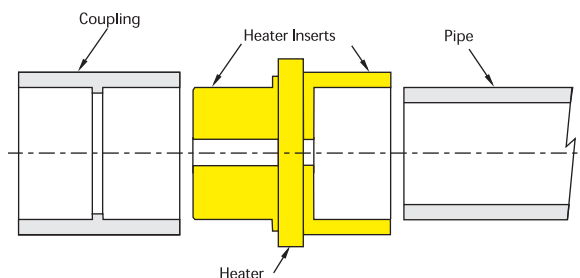
*Instrumentation fittings are a machined item, non-returnable / non-cancelable.

**PROBE ADAPTER***

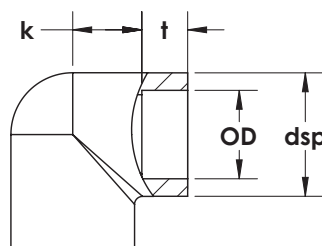
| Size | | Description | Dimensions | | | SDR 11 / PN 10 / 150 PSI |
|------|-------|-------------|------------|------|-------|--------------------------|
| mm | inch | | h | L | s | Part Number |
| 20 | 1/2 | Solid | 1.00 | 1.50 | 0.075 | 6303005 |
| 20 | 1/2 | 1/4" Tap | 1.00 | 1.50 | 0.075 | 6303096 |
| 25 | 3/4 | Solid | 1.00 | 1.50 | 0.075 | 6303007 |
| 25 | 3/4 | 1/4" Tap | 1.00 | 1.50 | 0.075 | 6303103 |
| 25 | 3/4 | 1/2" Tap | 1.00 | 1.50 | 0.075 | 6303101 |
| 32 | 1 | Solid | 1.00 | 1.50 | 0.094 | 6303010 |
| 32 | 1 | 1/4" Tap | 1.00 | 1.50 | 0.094 | 6303104 |
| 32 | 1 | 1/2" Tap | 1.00 | 1.50 | 0.094 | 6303130 |
| 40 | 1-1/4 | Solid | 1.00 | 1.50 | 0.094 | 6303012 |
| 40 | 1-1/4 | 1/4" Tap | 1.00 | 1.50 | 0.094 | 6303159 |
| 40 | 1-1/4 | 1/2" Tap | 1.00 | 1.50 | 0.094 | 6303166 |
| 50 | 1-1/2 | Solid | 1.00 | 1.50 | 0.118 | 6303015 |
| 50 | 1-1/2 | 1/4" Tap | 1.00 | 1.50 | 0.118 | 6303207 |
| 50 | 1-1/2 | 1/2" Tap | 1.00 | 1.50 | 0.118 | 6303208 |
| 63 | 2 | Solid | 1.00 | 1.50 | 0.118 | 6303020 |
| 63 | 2 | 1/4" Tap | 1.00 | 1.50 | 0.118 | 6303244 |
| 63 | 2 | 1/2" Tap | 1.00 | 1.50 | 0.118 | 6303246 |
| 90 | 3 | Solid | 1.00 | 1.50 | 0.110 | 6303030 |
| 90 | 3 | 1/4" Tap | 1.00 | 1.50 | 0.110 | 6303330 |
| 90 | 3 | 1/2" Tap | 1.00 | 1.50 | 0.110 | 6303332 |
| 110 | 4 | Solid | 1.00 | 1.50 | 0.138 | 6303040 |
| 110 | 4 | 1/4" Tap | 1.00 | 1.50 | 0.138 | 6303402 |
| 110 | 4 | 1/2" Tap | 1.00 | 1.50 | 0.138 | 6303399 |

*Probe adapters are a machined item, non-returnable / non-cancelable.

Socket Fusion

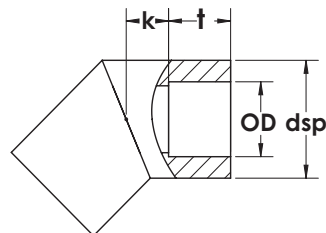


In socket fusion welding, the pipe end and socket fitting are heated to welding temperatures by means of socket and spigot heater inserts. Socket welding may be manually performed on pipe diameters up to 2" (63mm). In sizes greater than 1", a bench style machine may be preferred for ease of operation.



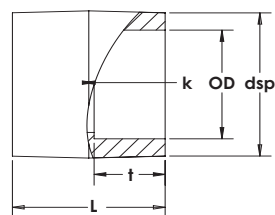
90 DEGREE ELBOW

| Size | | Dimensions | | | SDR 11 / PN 10 / 150 PSI | |
|------|-------|------------|-------|-------|--------------------------|-------------|
| mm | inch | dsp | t | k | Weight (lbs) | Part Number |
| 20 | 1/2 | 1.154 | 0.630 | 0.551 | 0.04 | 6310005 |
| 25 | 3/4 | 1.382 | 0.709 | 0.669 | 0.07 | 6310007 |
| 32 | 1 | 1.701 | 0.787 | 0.787 | 0.11 | 6310010 |
| 40 | 1-1/4 | 2.098 | 0.866 | 0.984 | 0.17 | 6310012 |
| 50 | 1-1/2 | 2.579 | 0.984 | 1.102 | 0.31 | 6310015 |
| 63 | 2 | 3.189 | 1.102 | 1.378 | 0.55 | 6310020 |



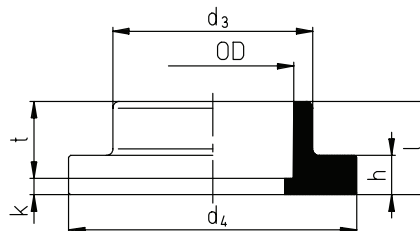
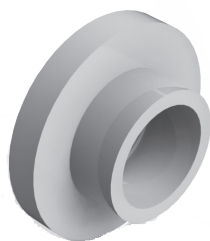
45 DEGREE ELBOW

| Size | | Dimensions | | | SDR 11 / PN 10 / 150 PSI | |
|------|--------|------------|-------|-------|--------------------------|-------------|
| mm | inch | dsp | t | k | Weight (lbs) | Part Number |
| 20 | 1/2 | 1.181 | 0.630 | 0.433 | 0.04 | 6315005 |
| 25 | 3/4 | 1.378 | 0.709 | 0.551 | 0.07 | 6315007 |
| 32 | 1 | 1.693 | 0.787 | 0.669 | 0.09 | 6315010 |
| 40 | 1 -1/4 | 2.087 | 0.866 | 0.827 | 0.15 | 6315012 |
| 50 | 1-1/2 | 2.559 | 0.945 | 1.024 | 0.22 | 6315015 |
| 63 | 2 | 3.189 | 1.142 | 1.299 | 0.40 | 6315020 |



COUPLING

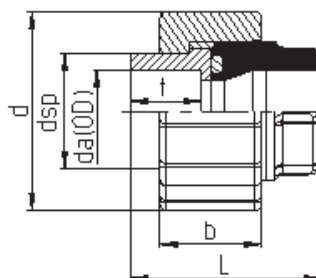
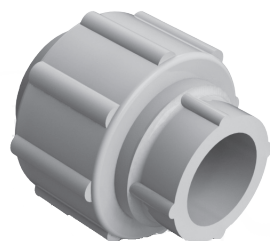
| Size | | Dimensions | | | | SDR 11 / PN 10 / 150 PSI | |
|------|--------|------------|-------|-------|-------|--------------------------|-------------|
| mm | inch | L | dsp | t | k | Weight (lbs) | Part Number |
| 20 | 1/2 | 1.378 | 1.157 | 0.630 | 0.118 | 0.02 | 6328005 |
| 25 | 3/4 | 1.535 | 1.382 | 0.709 | 0.118 | 0.04 | 6328007 |
| 32 | 1 | 1.693 | 1.701 | 0.787 | 0.118 | 0.07 | 6328010 |
| 40 | 1 -1/4 | 1.850 | 2.039 | 0.866 | 0.118 | 0.09 | 6328012 |
| 50 | 1 -1/2 | 2.047 | 2.535 | 0.945 | 0.157 | 0.13 | 6328015 |
| 63 | 2 | 2.362 | 3.201 | 1.142 | 0.079 | 0.24 | 6328020 |



STUB END* (FLANGE ADAPTER)

| Size | | Dimensions | | | | | | SDR 11 / PN 10 / 150 PSI | |
|------|-------|------------|------|------|------|------|------|--------------------------|-------------|
| mm | inch | d3 | d4 | h | l | k | t | Weight (lbs) | Part Number |
| 20 | 1/2 | 1.06 | 1.75 | 0.39 | 0.83 | 0.20 | 0.63 | 0.03 | 6331005 |
| 25 | 3/4 | 1.30 | 2.13 | 0.39 | 0.91 | 0.20 | 0.71 | 0.05 | 6331007 |
| 32 | 1 | 1.61 | 2.50 | 0.39 | 1.02 | 0.24 | 0.79 | 0.08 | 6331010 |
| 40 | 1-1/4 | 1.97 | 2.81 | 0.41 | 1.02 | 0.16 | 0.87 | 0.11 | 6331012 |
| 50 | 1-1/2 | 2.42 | 3.25 | 0.51 | 1.18 | 0.24 | 0.94 | 0.15 | 6331015 |
| 63 | 2 | 3.02 | 3.95 | 0.55 | 1.34 | 0.20 | 1.14 | 0.20 | 6331020 |

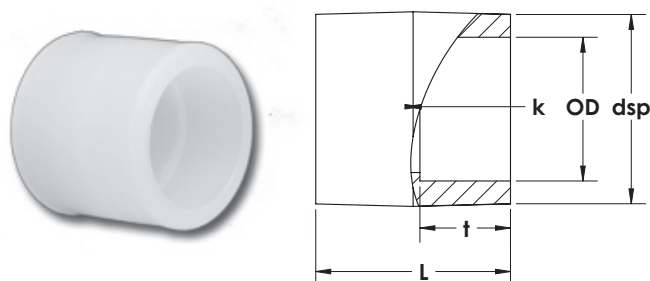
*Requires backing ring. See page 118.



UNION-EPDM

| Size | | Dimensions | | | | | SDR 11 / PN 10 / 150 PSI | |
|------|-------|------------|-------|-------|-------|-------|--------------------------|-------------|
| mm | inch | L | d | b | dsp | t | Weight (lbs) | Part Number |
| 20 | 1/2 | 1.772 | 1.850 | 0.945 | 1.075 | 0.630 | 0.040 | 6393005 |
| 25 | 3/4 | 1.929 | 2.244 | 1.024 | 1.406 | 0.709 | 0.060 | 6393007 |
| 32 | 1 | 2.087 | 2.520 | 1.181 | 1.626 | 0.787 | 0.080 | 6393010 |
| 40 | 1-1/4 | 2.323 | 3.071 | 1.220 | 2.079 | 0.866 | 0.130 | 6393012 |
| 50 | 1-1/2 | 2.638 | 3.504 | 1.378 | 2.307 | 0.965 | 0.180 | 6393015 |
| 63 | 2 | 3.110 | 4.291 | 1.535 | 2.898 | 1.142 | 0.300 | 6393020 |

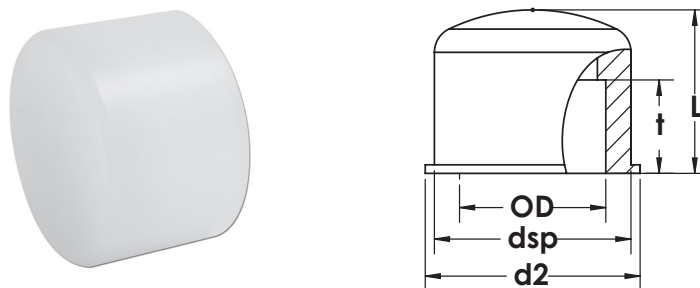
FKM O-rings are available upon request and require additional lead time.



IPS COUPLING ADAPTER*

| Size | | Dimensions | | | | SDR 11 / PN 10 / 150 PSI | |
|------|--------|------------|-------|-------|-------|--------------------------|-------------|
| mm | inch | L | dsp | t | k | Weight (lbs) | Part Number |
| 20 | 1/2 | 1.378 | 1.157 | 0.630 | 0.118 | 0.02 | 6329005 |
| 25 | 3/4 | 1.535 | 1.382 | 0.709 | 0.118 | 0.04 | 6329007 |
| 32 | 1 | 1.693 | 1.701 | 0.787 | 0.118 | 0.07 | 6329010 |
| 40 | 1 -1/4 | 1.850 | 2.039 | 0.866 | 0.118 | 0.09 | 6329012 |
| 50 | 1 -1/2 | 2.047 | 2.535 | 0.945 | 0.157 | 0.13 | 6329015 |
| 63 | 2 | 2.362 | 3.201 | 1.142 | 0.079 | 0.24 | 6329020 |

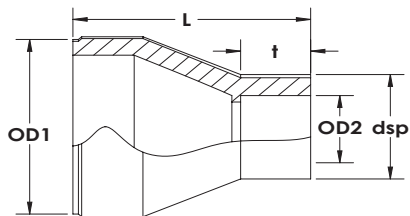
*Coupling with IPS socket by metric socket. Non-returnable / non-cancelable.



END CAP*

| Size | | Dimensions | | | | SDR 11 / PN 10 / 150 PSI | |
|------|--------|------------|-------|-------|-------|--------------------------|-------------|
| mm | inch | L | d2 | dsp | t | Weight (lbs) | Part Number |
| 20 | 1/2 | 2.259 | 1.260 | 1.142 | 0.630 | 0.02 | 6340005 |
| 25 | 3/4 | 2.606 | 1.496 | 1.378 | 0.709 | 0.02 | 6340007 |
| 32 | 1 | 3.041 | 1.850 | 1.693 | 0.787 | 0.04 | 6340010 |
| 40 | 1 -1/4 | 3.301 | 2.283 | 2.067 | 0.866 | 0.07 | 6340012 |
| 50 | 1-1/2 | 4.344 | 2.756 | 2.539 | 0.945 | 0.15 | 6340015 |
| 63 | 2 | 5.126 | 3.425 | 3.228 | 1.142 | 0.29 | 6340020 |

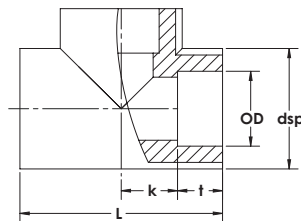
*End caps are a machined item, non-returnable / non-cancelable.



REDUCER

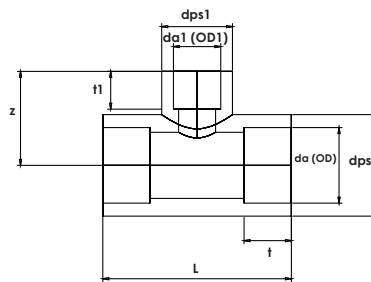
| Size | | Dimensions | | | SDR 11 / PN 10 / 150 PSI | |
|---------|---------------|------------|-------|-------|--------------------------|-------------|
| mm | inch | L | dsp | t | Weight (lbs) | Part Number |
| 25 x 20 | 3/4 x 1/2 | 1.535 | 1.181 | 0.630 | 0.02 | 6339101 |
| 32 x 20 | 1 x 1/2 | 1.791 | 1.181 | 0.630 | 0.04 | 6339130 |
| 32 x 25 | 1 x 3/4 | 1.772 | 1.378 | 0.709 | 0.04 | 6339131 |
| 40 x 25 | 1-1/4 x 3/4 | 1.969 | 1.358 | 0.709 | 0.04 | 6339167 |
| 40 x 32 | 1-1/4 x 1 | 1.969 | 1.685 | 0.787 | 0.07 | 6339168 |
| 50 x 25 | 1-1/2 x 3/4 | 2.165 | 1.366 | 0.709 | 0.07 | 6339210 |
| 50 x 32 | 1-1/2 x 1 | 2.165 | 1.720 | 0.787 | 0.09 | 6339211 |
| 50 x 40 | 1-1/2 x 1-1/4 | 2.165 | 2.079 | 0.866 | 0.11 | 6339212 |
| 63 x 32 | 2 x 1 | 2.559 | 1.689 | 0.787 | 0.13 | 6339249 |
| 63 x 40 | 2 x 1-1/4 | 2.559 | 2.079 | 0.866 | 0.15 | 6339250 |
| 63 x 50 | 2 x 1-1/2 | 2.559 | 2.551 | 0.945 | 0.15 | 6339251 |

Large dimension will be spigot end, reduced size is a socket coupling.



TEE

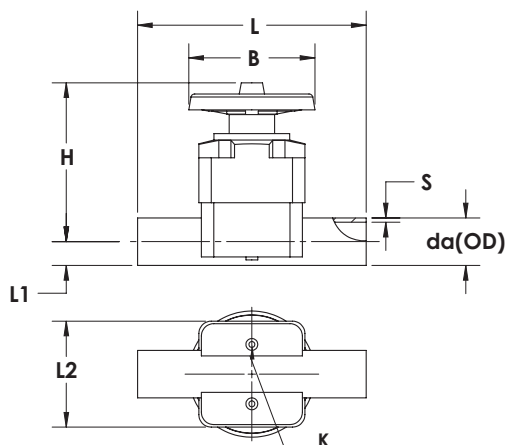
| Size | | Dimensions | | | | SDR 11 / PN 10 / 150 PSI | |
|------|-------|------------|-------|-------|-------|--------------------------|-------------|
| mm | inch | L | dsp | t | k | Weight (lbs) | Part Number |
| 20 | 1/2 | 2.362 | 1.146 | 0.630 | 0.551 | 0.07 | 6320005 |
| 25 | 3/4 | 2.756 | 1.386 | 0.709 | 0.669 | 0.09 | 6320007 |
| 32 | 1 | 3.150 | 1.693 | 0.787 | 0.827 | 0.15 | 6320010 |
| 40 | 1-1/4 | 3.701 | 2.087 | 0.866 | 0.984 | 0.22 | 6320012 |
| 50 | 1-1/2 | 4.252 | 2.559 | 0.945 | 1.181 | 0.40 | 6320015 |
| 63 | 2 | 5.157 | 3.189 | 1.142 | 1.437 | 0.66 | 6320020 |



REDUCING TEE

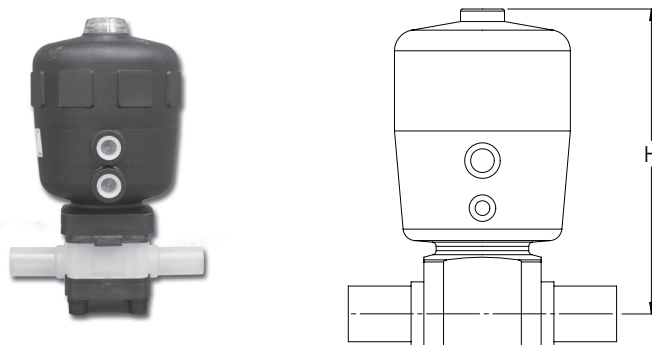
| Size | | Dimensions | | | | | | SDR 11 / PN 10 / 150 PSI | |
|---------|-------------|------------|-------|-------|-------|-------|-------|--------------------------|-------------|
| mm | inch | z | L | dsp | dsp1 | t | t1 | Weight (lbs) | Part Number |
| 32 x 20 | 1 x 1/2 | 1.567 | 3.138 | 1.693 | 1.177 | 0.787 | 0.630 | 0.11 | 6324130 |
| 32 x 25 | 1 x 3/4 | 1.575 | 3.130 | 1.693 | 1.378 | 0.787 | 0.709 | 0.13 | 6324131 |
| 40 x 32 | 1-1/4 x 1 | 1.772 | 3.583 | 2.087 | 1.693 | 0.866 | 0.787 | 0.22 | 6324168 |
| 50 x 25 | 1-1/2 x 3/4 | 2.008 | 4.331 | 2.579 | 1.398 | 0.945 | 0.709 | 0.35 | 6324210 |
| 50 x 32 | 1-1/2 x 1 | 2.126 | 4.252 | 2.559 | 1.693 | 0.945 | 0.787 | 0.35 | 6324211 |
| 63 x 32 | 2 x 1 | 2.559 | 5.118 | 3.189 | 1.713 | 1.142 | 0.787 | 0.71 | 6324249 |
| 63 x 50 | 2 x 1-1/2 | 2.559 | 5.118 | 3.189 | 2.598 | 1.142 | 0.945 | 0.73 | 6324250 |





T-342 DIAPHRAGM VALVE - MANUAL

| Size | | Dimensions | | | | | | | SDR 11 / PN 10 / 150 PSI | | |
|------|-------|------------|-------|-------|-------|-------|-------|----|--------------------------|-------------|-------------|
| mm | inch | S | L | L1 | L2 | H | B | K | Weight (lbs) | EPDM | PTFE |
| | | | | | | | | | | Part Number | Part Number |
| 20 | 1/2 | 0.075 | 5.236 | 0.650 | 0.965 | 3.937 | 3.346 | M6 | 1.10 | 6352005 | 6351005 |
| 25 | 3/4 | 0.075 | 5.699 | 0.650 | 0.965 | 3.937 | 3.346 | M6 | 1.12 | 6352007 | 6351007 |
| 32 | 1 | 0.094 | 6.063 | 0.807 | 0.965 | 4.213 | 3.346 | M6 | 1.61 | 6352010 | 6351010 |
| 40 | 1-1/4 | 0.094 | 7.598 | 1.004 | 1.732 | 5.669 | 5.315 | M8 | 3.48 | 6352012 | 6351012 |
| 50 | 1-1/2 | 0.118 | 7.638 | 1.26 | 1.732 | 5.669 | 5.315 | M8 | 3.67 | 6352015 | 6351015 |
| 63 | 2 | 0.118 | 8.819 | 1.516 | 1.732 | 6.693 | 5.315 | M8 | 5.39 | 6352020 | 6351020 |



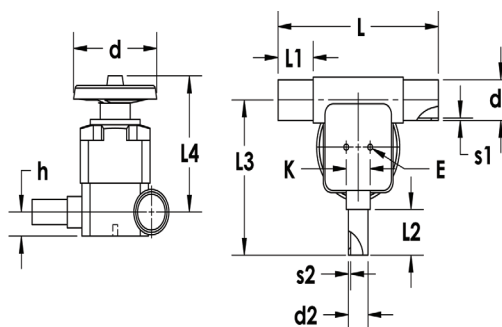
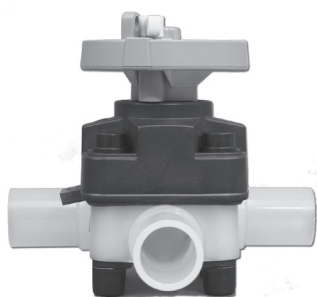
T-342 DIAPHRAGM VALVE - ACTUATED

| Size | | Dimensions | EPDM DIAPHRAGM - SDR 21 / PN 10 / 150 PSI | | |
|------|-------|------------|---|-----------------------|--------------------|
| mm | inch | H | A-S NC Part Number | A-S NO Part Number | A-A Part Number |
| 20 | 1/2 | 6.69 | 6375005 | 6370005 | 6371005 |
| 25 | 3/4 | 6.69 | 6375007 | 6370007 | 6371007 |
| 32 | 1 | 6.89 | 6375010 | 6370010 | 6371010 |
| 40 | 1-1/4 | 10.75 | 6375012 | 6370012 | 6371012 |
| 50 | 1-1/2 | 10.75 | 6375015 | 6370015 | 6371015 |
| 63 | 2 | 10.91 | 6375020 | 6370020 | 6371020 |

Pricing and part numbers are for actuated versions of standard spigot model.
 Consult factory for pricing on true union or flanged actuated valves.
 Actuated 342 valves are non-returnable / non-cancelable.

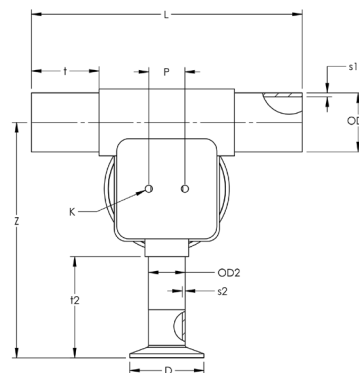
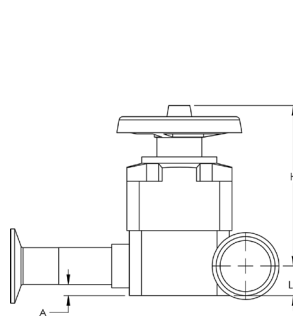
| Size | | Dimensions | PTFE DIAPHRAGM - SDR 21 / PN 10 / 150 PSI | | |
|------|-------|------------|---|-----------------------|--------------------|
| mm | inch | H | A-S NC Part Number | A-S NO Part Number | A-A Part Number |
| 20 | 1/2 | 6.69 | 6376005 | 6372005 | 6373005 |
| 25 | 3/4 | 6.69 | 6376007 | 6372007 | 6373007 |
| 32 | 1 | 6.89 | 6376010 | 6372010 | 6373010 |
| 40 | 1-1/4 | 10.75 | 6376012 | 6372012 | 6373012 |
| 50 | 1-1/2 | 10.75 | 6376015 | 6372015 | 6373015 |
| 63 | 2 | 10.91 | 6376020 | 6372020 | 6373020 |

Pricing and part numbers are for actuated versions of standard spigot model.
 Consult factory for pricing on true union or flanged actuated valves.
 Actuated 342 valves are non-returnable / non-cancelable.



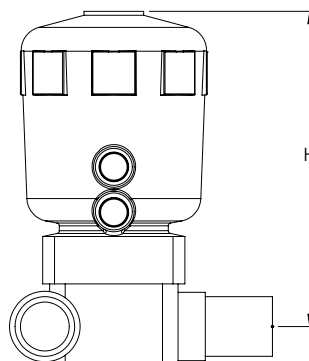
T-343 DIAPHRAGM VALVE - MANUAL

| Size | | | | | | | | | | | | | SDR 11 / PN 10 / 150 PSI | | |
|---------|-------------|-------|-------|-------|-------|-------|-------|-------|-------|-------|-------|----|--------------------------|-------------|-------------|
| mm | inch | s1 | L | L1 | L2 | L3 | L4 | s2 | d | h | K | E | Weight (lbs) | EPDM | PTFE |
| | | | | | | | | | | | | | | Part Number | Part Number |
| 20 x 20 | 1/2 x 1/2 | 0.075 | 6.457 | 1.417 | 1.417 | 4.409 | 4.213 | 0.075 | 3.346 | 0.638 | 0.965 | M6 | 1.10 | 6345005 | 6346005 |
| 25 x 20 | 3/4 x 1/2 | 0.075 | 6.457 | 1.417 | 1.417 | 4.547 | 4.213 | 0.075 | 3.346 | 0.638 | 0.965 | M6 | 1.12 | 6345101 | 6346101 |
| 25 x 25 | 3/4 x 3/4 | 0.091 | 6.457 | 1.417 | 1.417 | 4.547 | 4.213 | 0.091 | 3.346 | 0.638 | 0.965 | M6 | 1.12 | 6345007 | 6346007 |
| 32 x 20 | 1 x 1/2 | 0.114 | 6.457 | 1.417 | 1.417 | 4.803 | 4.213 | 0.075 | 3.346 | 0.748 | 0.965 | M6 | 1.12 | 6345130 | 6346130 |
| 32 x 25 | 1 x 3/4 | 0.114 | 6.457 | 1.417 | 1.417 | 4.803 | 4.213 | 0.091 | 3.346 | 0.748 | 0.965 | M6 | 1.61 | 6345131 | 6346131 |
| 32 x 32 | 1 x 1 | 0.114 | 6.457 | 1.417 | 1.417 | 4.803 | 4.213 | 0.114 | 3.346 | 0.748 | 0.965 | M6 | 3.48 | 6345010 | 6346010 |
| 40 x 20 | 1-1/4 x 1/2 | 0.146 | 7.244 | 1.811 | 1.417 | 5.000 | 4.287 | 0.098 | 3.346 | 0.787 | 0.965 | M6 | 3.67 | 6345166 | 6346166 |
| 40 x 25 | 1-1/4 x 3/4 | 0.146 | 7.244 | 1.811 | 1.417 | 5.000 | 4.287 | 0.106 | 3.346 | 0.787 | 0.965 | M6 | 5.39 | 6345167 | 6346167 |
| 40 x 32 | 1-1/4 x 1 | 0.146 | 7.244 | 1.811 | 1.417 | 5.000 | 4.484 | 0.114 | 3.346 | 0.787 | 0.965 | M6 | 1.65 | 6345168 | 6346168 |
| 50 x 20 | 1-1/2 x 1/2 | 0.181 | 7.244 | 1.811 | 1.417 | 5.177 | 4.394 | 0.075 | 3.346 | 0.866 | 0.965 | M6 | 1.80 | 6345208 | 6346208 |
| 50 x 32 | 1-1/2 x 1 | 0.181 | 7.244 | 1.811 | 1.417 | 5.177 | 4.591 | 0.114 | 3.346 | 0.866 | 0.965 | M6 | 1.80 | 6345211 | 6346211 |
| 63 x 32 | 2 x 1 | 0.228 | 7.244 | 1.811 | 1.417 | 5.433 | 4.591 | 0.114 | 3.346 | 0.866 | 0.965 | M6 | 1.96 | 6345249 | 6346249 |



T-343 DIAPHRAGM VALVE - MANUAL w/ Sanitary Connector Branch

| Size | | s1 | L | L1 | L2 | L3 | L4 | s2 | d | h | K | E | SDR 11 / PN 10 / 150 PSI | | |
|---------|-------------|-------|-------|-------|-------|-------|-------|-------|-------|-------|-------|----|--------------------------|-------------|-------------|
| mm | inch | | | | | | | | | | | | Weight | EPDM | PTFE |
| | | | | | | | | | | | | | | Part Number | Part Number |
| 20 x 20 | 1/2 x 1/2 | 0.075 | 6.457 | 1.417 | 1.417 | 5.509 | 4.213 | 0.075 | 3.346 | 0.638 | 0.965 | M6 | 1.10 | 634505005 | 634605005 |
| 25 x 20 | 3/4 x 1/2 | 0.075 | 6.457 | 1.417 | 1.417 | 5.647 | 4.213 | 0.075 | 3.346 | 0.638 | 0.965 | M6 | 1.12 | 634505101 | 634605101 |
| 25 x 25 | 3/4 x 3/4 | 0.091 | 6.457 | 1.417 | 1.417 | 5.647 | 4.213 | 0.091 | 3.346 | 0.638 | 0.965 | M6 | 1.12 | 634505007 | 634605007 |
| 32 x 20 | 1 x 1/2 | 0.114 | 6.457 | 1.417 | 1.417 | 5.903 | 4.213 | 0.075 | 3.346 | 0.748 | 0.965 | M6 | 1.12 | 634505130 | 634605130 |
| 32 x 25 | 1 x 3/4 | 0.114 | 6.457 | 1.417 | 1.417 | 5.903 | 4.213 | 0.091 | 3.346 | 0.748 | 0.965 | M6 | 1.61 | 634505131 | 634605131 |
| 32 x 32 | 1 x 1 | 0.114 | 6.457 | 1.417 | 1.417 | 5.903 | 4.213 | 0.114 | 3.346 | 0.748 | 0.965 | M6 | 3.48 | 634505010 | 634605010 |
| 40 x 20 | 1-1/4 x 1/2 | 0.146 | 7.244 | 1.811 | 1.417 | 6.100 | 4.287 | 0.098 | 3.346 | 0.787 | 0.965 | M6 | 3.67 | 634505166 | 634605166 |
| 40 x 25 | 1-1/4 x 3/4 | 0.146 | 7.244 | 1.811 | 1.417 | 6.100 | 4.287 | 0.106 | 3.346 | 0.787 | 0.965 | M6 | 5.39 | 634505167 | 634605167 |
| 40 x 32 | 1-1/4 x 1 | 0.146 | 7.244 | 1.811 | 1.417 | 6.100 | 4.484 | 0.114 | 3.346 | 0.787 | 0.965 | M6 | 1.65 | 634505168 | 634605168 |
| 50 x 20 | 1-1/2 x 1/2 | 0.181 | 7.244 | 1.811 | 1.417 | 6.277 | 4.394 | 0.075 | 3.346 | 0.866 | 0.965 | M6 | 1.80 | 634505208 | 634605208 |
| 50 x 32 | 1-1/2 x 1 | 0.181 | 7.244 | 1.811 | 1.417 | 6.277 | 4.591 | 0.114 | 3.346 | 0.866 | 0.965 | M6 | 1.80 | 634505211 | 634605211 |
| 63 x 32 | 2 x 1 | 0.228 | 7.244 | 1.811 | 1.417 | 6.533 | 4.591 | 0.114 | 3.346 | 0.866 | 0.965 | M6 | 1.96 | 634505249 | 634605249 |

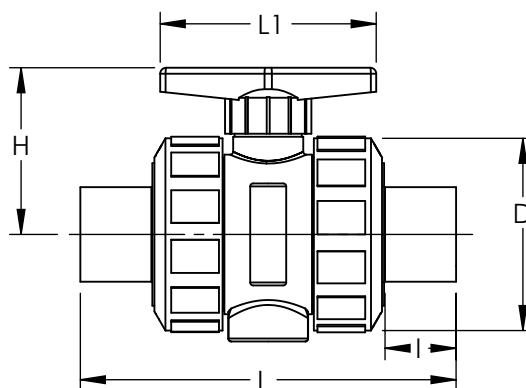


T-343 DIAPHRAGM VALVE - ACTUATED

| Size | | Dimensions | EPDM DIAPHRAGM - SDR 11 / PN 10 / 150 PSI | | |
|---------|-------------|------------|---|-----------------------|--------------------|
| mm | inch | H | A-S NC Part Number | A-S NO Part Number | A-A Part Number |
| 20 x 20 | 1/2 x 1/2 | 6.963 | 6342005 | 6377005 | 6378005 |
| 25 x 20 | 3/4 x 1/2 | 6.963 | 6342101 | 6377101 | 6378101 |
| 25 x 25 | 3/4 x 3/4 | 6.963 | 6342007 | 6377007 | 6378007 |
| 32 x 20 | 1 x 1/2 | 6.963 | 6342130 | 6377130 | 6378130 |
| 32 x 25 | 1 x 3/4 | 6.963 | 6342131 | 6377131 | 6378131 |
| 32 x 32 | 1 x 1 | 6.963 | 6342010 | 6377010 | 6378010 |
| 40 x 20 | 1-1/4 x 1/2 | 7.037 | 6342166 | 6377166 | 6378166 |
| 40 x 25 | 1-1/4 x 3/4 | 7.037 | 6342167 | 6377167 | 6378167 |
| 40 x 32 | 1-1/4 x 1 | 7.234 | 6342168 | 6377168 | 6378168 |
| 50 x 20 | 1-1/2 x 1/2 | 7.144 | 6342208 | 6377208 | 6378208 |
| 50 x 32 | 1-1/2 x 1 | 7.341 | 6342211 | 6377211 | 6378211 |
| 63 x 32 | 2 x 1 | 7.341 | 6342249 | 6377249 | 6378249 |

| Size | | Dimensions | PTFE DIAPHRAGM - SDR 11 / PN 10 / 150 PSI | | |
|---------|-------------|------------|---|-----------------------|--------------------|
| mm | inch | H | A-S NC Part Number | A-S NO Part Number | A-A Part Number |
| 20 x 20 | 1/2 x 1/2 | 6.963 | 6344005 | 6385005 | 6386005 |
| 25 x 20 | 3/4 x 1/2 | 6.963 | 6344101 | 6385101 | 6386101 |
| 25 x 25 | 3/4 x 3/4 | 6.963 | 6344007 | 6385007 | 6386007 |
| 32 x 20 | 1 x 1/2 | 6.963 | 6344130 | 6385130 | 6386130 |
| 32 x 25 | 1 x 3/4 | 6.963 | 6344131 | 6385131 | 6386131 |
| 32 x 32 | 1 x 1 | 6.963 | 6344010 | 6385010 | 6386010 |
| 40 x 20 | 1-1/4 x 1/2 | 7.037 | 6344166 | 6385166 | 6386166 |
| 40 x 25 | 1-1/4 x 3/4 | 7.037 | 6344167 | 6385167 | 6386167 |
| 40 x 32 | 1-1/4 x 1 | 7.234 | 6344168 | 6385168 | 6386168 |
| 50 x 20 | 1-1/2 x 1/2 | 7.144 | 6344208 | 6385208 | 6386208 |
| 50 x 32 | 1-1/2 x 1 | 7.341 | 6344211 | 6385211 | 6386211 |
| 63 x 32 | 2 x 1 | 7.341 | 6344249 | 6385249 | 6386249 |

Actuated 343 valves are non-returnable / non-cancelable.



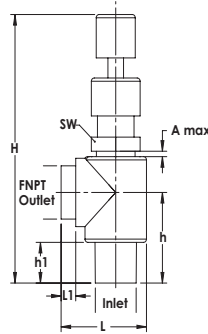
BALL VALVE* - FKM

| Size | | Dimensions | | | | | Weight (lbs) | SDR 11 / PN 10 / 150 PSI | |
|------|-------|------------|------|------|------|------|--------------|--------------------------|--|
| | | | | | | | | Butt Ends | |
| mm | inch | L | I | D | H | L1 | | | |
| 20 | 1/2 | 5.81 | 1.45 | 2.00 | 1.87 | 3.13 | 0.50 | 6354005 | |
| 25 | 3/4 | 6.39 | 1.45 | 2.50 | 2.63 | 3.75 | 0.80 | 6354007 | |
| 32 | 1 | 6.71 | 1.45 | 2.84 | 2.63 | 3.75 | 1.10 | 6354010 | |
| 40 | 1 1/4 | 7.83 | 1.50 | 4.08 | 3.50 | 4.50 | 2.30 | 6354012 | |
| 50 | 1 1/2 | 7.83 | 1.50 | 4.08 | 3.50 | 4.50 | 2.50 | 6354015 | |
| 63 | 2 | 7.83 | 1.50 | 4.08 | 3.50 | 4.50 | 2.70 | 6354020 | |

*EPDM available, consult factory. Non-returnable / non-cancelable. Please allow for additional delivery time.

| Size | | Dimensions | | | | | Weight (lbs) | SDR 11 / PN 10 / 150 PSI | |
|------|-------|------------|------|------|------|------|--------------|--------------------------|---------------|
| | | | | | | | | Socket Ends | Threaded Ends |
| mm | inch | L | I | D | H | L1 | Part Number | Part Number | |
| 20 | 1/2 | 4.13 | 0.61 | 2.00 | 1.87 | 3.13 | 0.50 | 6353005 | 6355005 |
| 25 | 3/4 | 4.75 | 0.63 | 2.50 | 2.63 | 3.75 | 0.80 | 6353007 | 6355007 |
| 32 | 1 | 5.38 | 0.79 | 2.84 | 2.63 | 3.75 | 1.10 | 6353010 | 6355010 |
| 40 | 1 1/4 | 6.70 | 0.94 | 4.08 | 3.50 | 4.50 | 2.30 | 6353012 | 6355012 |
| 50 | 1 1/2 | 6.75 | 0.96 | 4.08 | 3.50 | 4.50 | 2.50 | 6353015 | 6355015 |
| 63 | 2 | 7.90 | 1.54 | 4.08 | 3.50 | 4.50 | 2.70 | 6353020 | 6355020 |

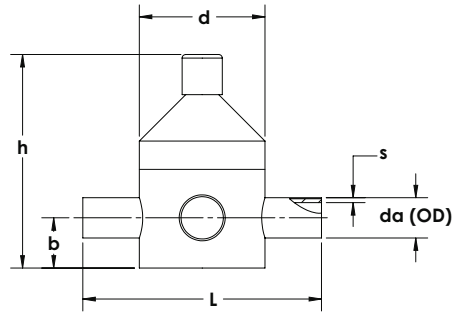
*EPDM available (6358xxx), consult factory. Non-returnable / non-cancelable. Please allow for additional delivery time.



ANGLE NEEDLE VALVE

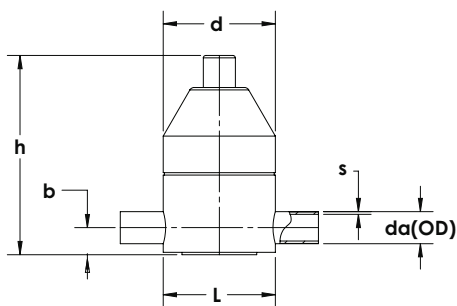
| Size | | Dimensions | | | | | | | SDR 11 / PN 10 / 150 PSI | |
|-----------|-----------|------------|------|------|-------|------|------|------|--------------------------|-------------|
| Inlet | Outlet | D | H | h | A max | L | L1 | SW | Weight (lbs) | Part Number |
| 20mm Butt | 1/2" FNPT | 1.18 | 4.67 | 1.38 | 0.35 | 1.97 | 0.55 | 1.06 | 0.23 | 6382005 |
| 1/4" FNPT | 1/4" MNPT | 0.79 | 3.72 | 1.16 | 0.28 | 1.48 | 0.31 | 0.81 | 0.23 | 6380002 |
| 1/2" FNPT | 1/2" MNPT | 1.18 | 4.63 | 1.34 | 0.35 | 1.97 | 0.55 | 1.06 | 0.23 | 6380005 |

Ideal for use with an instrumentation fitting.



V82 PRESSURE REGULATOR WITH GAUGE GUARD

| Size | | Dimensions | | | | | | Range psi | Weight (lbs) | SDR 11 / PN 10 / 150 PSI | |
|------|-------|------------|-------|--------|-------|--------|-------|--------------|-----------------|--------------------------|-------------|
| mm | inch | DN | d | L | b | h | s | | | EPDM | PTFE/FKM |
| | | | | | | | | | | Part Number | Part Number |
| 20 | 1/2 | 0.591 | 2.756 | 5.906 | 1.181 | 5.118 | 0.075 | 7.25-145 | 1.17 | 630251105 | 630241105 |
| 25 | 3/4 | 0.787 | 3.937 | 7.480 | 1.575 | 6.693 | 0.075 | 7.25-145 | 2.38 | 630251107 | 630241107 |
| 32 | 1 | 0.984 | 3.937 | 7.480 | 1.575 | 6.693 | 0.094 | 7.25-145 | 2.90 | 630251110 | 630241110 |
| 50 | 1-1/2 | 1.575 | 5.118 | 9.449 | 2.165 | 9.055 | 0.118 | 7.25-145 | 5.52 | 630251115 | 630241115 |
| 63 | 2 | 1.969 | 6.102 | 10.236 | 2.953 | 11.220 | 0.118 | 7.25-145 | 8.71 | 630251120 | 630241120 |

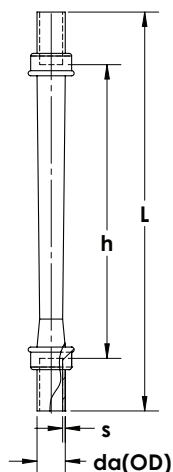


V86 BACK PRESSURE REGULATOR

| Size | | Dimensions | | | | | | Range psi | Weight (lbs) | SDR 11 / PN 10 / 150 PSI | |
|------|-------|------------|-------|--------|-------|--------|-------|--------------|-----------------|--------------------------|-------------|
| mm | inch | DN | d | L | b | h | s | | | EPDM | PTFE/FKM |
| | | | | | | | | | | Part Number | Part Number |
| 20 | 1/2 | 0.591 | 3.268 | 6.220 | 0.787 | 5.394 | 0.075 | 7.25-145 | 0.86 | 630254105 | 630244105 |
| 25 | 3/4 | 0.787 | 3.268 | 6.220 | 0.787 | 5.394 | 0.075 | 7.25-145 | 0.88 | 630254107 | 630244107 |
| 32 | 1 | 0.984 | 4.409 | 7.795 | 1.063 | 7.835 | 0.094 | 7.25-145 | 2.27 | 630254110 | 630244110 |
| 50 | 1-1/2 | 1.575 | 6.496 | 10.315 | 1.693 | 11.417 | 0.118 | 7.25-145 | 9.68 | 630254115 | 630244115 |
| 63 | 2 | 1.969 | 6.496 | 10.315 | 1.693 | 11.417 | 0.118 | 7.25-145 | 9.90 | 630254120 | 630244120 |



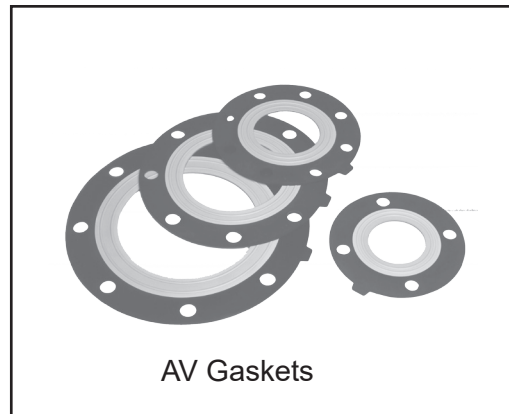
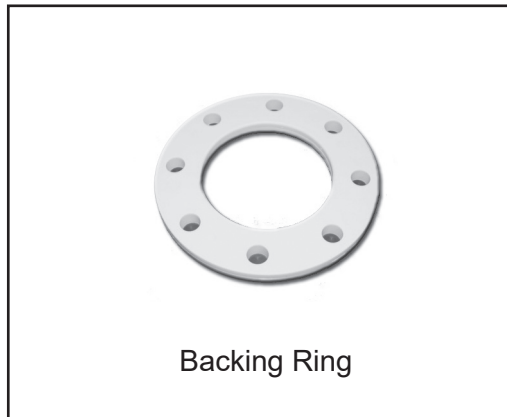
M335



M335 FLOWMETER

| Size | | Flow Rate | PA Tube, Spigot, FKM / SDR 11 / 150 PSI | | | | |
|------|-------|------------------------------------|---|-------|-------|-------|-------------|
| mm | inch | | da(OD) | L | h | s | Part Number |
| 20 | 1/2 | 0.44 -4.4 GPM (100 -1000 LPH) | 0.787 | 17.91 | 13.19 | 0.075 | 630247010 |
| 25 | 3/4 | | 0.984 | 17.91 | 13.19 | 0.091 | 630247011 |
| 25 | 3/4 | 0.88 -8.8 GPM (200 -2000 LPH) | 0.984 | 17.91 | 13.19 | 0.091 | 630247012 |
| 32 | 1 | | 1.26 | 17.91 | 13.19 | 0.114 | 630247013 |
| 25 | 3/4 | 1.1-11 GPM (250 -2500 LPH) | 0.984 | 17.91 | 13.19 | 0.091 | 630247014 |
| 32 | 1 | | 1.26 | 17.91 | 13.19 | 0.114 | 630247015 |
| 32 | 1 | 1.32 -13.2 GPM (300 -3000 LPH) | 1.26 | 18.11 | 13.19 | 0.114 | 630247016 |
| 40 | 1-1/4 | | 1.575 | 18.11 | 13.19 | 0.146 | 630247017 |
| 40 | 1-1/4 | 2.64 -26.4 GPM (600 -6000 LPH) | 1.575 | 18.62 | 13.19 | 0.146 | 630247018 |
| 50 | 1-1/2 | | 1.969 | 18.62 | 13.19 | 0.181 | 630247019 |
| 63 | 2 | | 2.48 | 18.62 | 13.19 | 0.228 | 630247020 |
| 50 | 1-1/2 | 4.4 -44 GPM (1000 -10000 LPH) | 1.969 | 18.62 | 13.19 | 0.181 | 630247021 |
| 63 | 2 | | 2.48 | 18.62 | 13.19 | 0.228 | 630247022 |
| 75 | 2-1/2 | | 2.953 | 18.62 | 13.19 | 0.268 | 630247023 |
| 63 | 2 | 6.6 -66 GPM (1500 -15000 LPH) | 2.48 | 18.62 | 13.19 | 0.228 | 630247024 |
| 75 | 2-1/2 | | 2.953 | 23.11 | 13.19 | 0.268 | 630247025 |
| 90 | 3 | | 3.543 | 23.11 | 13.19 | 0.323 | 630247026 |
| 63 | 2 | 8.8 -88 GPM (2000 -20000 LPH) | 2.48 | 23.11 | 13.19 | 0.228 | 630247027 |
| 75 | 2-1/2 | | 2.953 | 23.11 | 13.19 | 0.268 | 630247028 |
| 90 | 3 | | 3.543 | 23.11 | 13.19 | 0.323 | 630247029 |
| 110 | 4 | 13.2 -132 GPM (3000 -30000 LPH) | 4.331 | 23.11 | 13.19 | 0.394 | 630247030 |
| 75 | 2-1/2 | | 2.953 | 23.11 | 13.19 | 0.268 | 630247031 |
| 90 | 3 | | 3.543 | 23.11 | 13.19 | 0.323 | 630247032 |
| 110 | 4 | | 4.331 | 23.11 | 13.19 | 0.394 | 630247033 |

Piping System Accessories



BACKING RING*

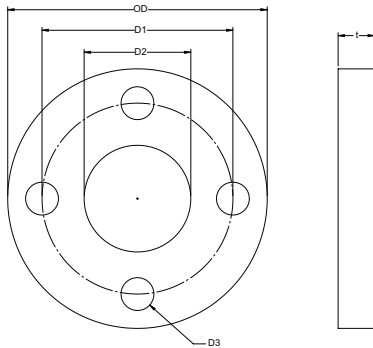


Backing Ring

| Size | | Description | PP - Grey | PP - Black* |
|---------|-------|-------------|-------------|-------------|
| mm | inch | | Part Number | Part Number |
| 20 | 1/2 | ANSI 150# | 5046005 | 5146005 |
| 25 | 3/4 | ANSI 150# | 5046007 | 5146007 |
| 32 | 1 | ANSI 150# | 5046010 | 5146010 |
| 40 | 1-1/4 | ANSI 150# | 5046012 | 5146012 |
| 50 | 1-1/2 | ANSI 150# | 5046015 | 5146015 |
| 63 | 2 | ANSI 150# | 5046020 | 5146020 |
| 75 | 2-1/2 | ANSI 150# | 5046025 | 5146025 |
| 90 | 3 | ANSI 150# | 5046030 | 5146030 |
| 110 | 4 | ANSI 150# | 5046040 | 5146040 |
| 160 | 6 | ANSI 150# | 5046060 | 5146060 |
| 200/225 | 8 | ANSI 150# | 5046080 | 5146080 |
| 250/280 | 10 | ANSI 150# | 5046100 | 5146100 |
| 315 | 12 | ANSI 150# | 5046120 | 5146120 |

*DIN bolt pattern PN 10/16 available.
 *PP black UV resistant.

Accessories



| Size | | Dimensions | | | | | | |
|---------|-------|------------|--------|--------|-------|-------|--------|-----------------|
| mm | inch | OD | D1 | D2 | D3 | t | Weight | # of Bolt Holes |
| 20 | 1/2 | 3.740 | 2.380 | 1.102 | 0.630 | 0.472 | 0.463 | 4 |
| 25 | 3/4 | 4.016 | 2.750 | 1.339 | 0.630 | 0.472 | 0.529 | 4 |
| 32 | 1 | 4.488 | 3.120 | 1.654 | 0.630 | 0.630 | 0.807 | 4 |
| 40 | 1-1/4 | 5.118 | 3.500 | 2.008 | 0.630 | 0.630 | 1.235 | 4 |
| 50 | 1-1/2 | 5.236 | 3.880 | 2.441 | 0.630 | 0.709 | 1.193 | 4 |
| 63 | 2 | 6.378 | 4.750 | 3.071 | 0.787 | 0.709 | 1.788 | 4 |
| 75 | 2-1/2 | 7.244 | 5.500 | 3.622 | 0.787 | 0.709 | 2.352 | 4 |
| 90 | 3 | 7.638 | 6.000 | 4.370 | 0.787 | 0.709 | 2.271 | 4 |
| 110 | 4 | 9.016 | 7.500 | 5.236 | 0.787 | 0.709 | 3.342 | 8 |
| 160 | 6 | 11.142 | 9.500 | 7.008 | 0.866 | 0.945 | 5.115 | 8 |
| 200/225 | 8 | 13.583 | 11.750 | 9.291 | 0.866 | 0.945 | 7.474 | 8 |
| 250/280 | 10 | 16.220 | 14.250 | 11.339 | 0.984 | 1.024 | 13.669 | 12 |
| 315 | 12 | 19.173 | 17.000 | 13.307 | 0.984 | 1.260 | 28.748 | 12 |

225mm (9") and 200mm (8") stub ends use 8" ANSI backing rings.
 Consult factory for backing rings larger than 315mm (12").

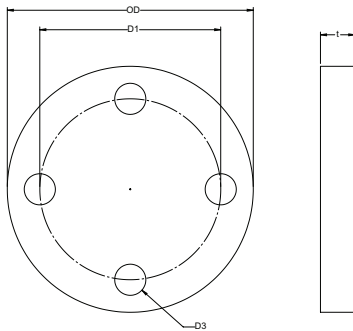
PP BLIND FLANGE



**PP
Blind Flange**

| Size | | Description | 230 PSI Part Number |
|------|-------|-------------------------|------------------------|
| mm | inch | | |
| 20 | 1/2 | Steel Insert, ANSI 150# | 5042005 |
| 25 | 3/4 | Steel Insert, ANSI 150# | 5042007 |
| 32 | 1 | Steel Insert, ANSI 150# | 5042010 |
| 40 | 1-1/4 | Steel Insert, ANSI 150# | 5042012 |
| 50 | 1-1/2 | Steel Insert, ANSI 150# | 5042015 |
| 63 | 2 | Steel Insert, ANSI 150# | 5042020 |
| 75 | 2-1/2 | Steel Insert, ANSI 150# | 5042025 |
| 90 | 3 | Steel Insert, ANSI 150# | 5042030 |
| 110 | 4 | Steel Insert, ANSI 150# | 5042040 |
| 160 | 6 | Steel Insert, ANSI 150# | 5042060 |
| 200 | 8 | Steel Insert, ANSI 150# | 5042080 |
| 250 | 10 | Steel Insert, ANSI 150# | 5042100 |
| 315 | 12 | Steel Insert, ANSI 150# | 5042120 |

Accessories



| Size | | OD | D1 | D3 | t | Weight (lbs) | # of Bolt Holes |
|------|-------|--------|--------|-------|-------|-----------------|--------------------|
| mm | inch | | | | | | |
| 20 | 1/2 | 3.740 | 2.380 | 0.630 | 0.472 | 0.569 | 4 |
| 25 | 3/4 | 4.016 | 2.750 | 0.630 | 0.472 | 0.750 | 4 |
| 32 | 1 | 4.488 | 3.120 | 0.630 | 0.630 | 1.118 | 4 |
| 40 | 1-1/4 | 5.118 | 3.500 | 0.630 | 0.630 | 1.614 | 4 |
| 50 | 1-1/2 | 5.236 | 3.880 | 0.630 | 0.709 | 1.775 | 4 |
| 63 | 2 | 6.378 | 4.750 | 0.787 | 0.709 | 2.690 | 4 |
| 75 | 2-1/2 | 7.244 | 5.500 | 0.787 | 0.709 | 3.400 | 4 |
| 90 | 3 | 7.638 | 6.000 | 0.787 | 0.709 | 4.057 | 4 |
| 110 | 4 | 9.016 | 7.500 | 0.787 | 0.709 | 6.504 | 8 |
| 160 | 6 | 11.142 | 9.500 | 0.866 | 0.945 | 11.244 | 8 |
| 200 | 8 | 13.583 | 11.750 | 0.866 | 0.945 | 17.461 | 8 |
| 250 | 10 | 16.220 | 14.250 | 0.984 | 1.024 | 33.400 | 12 |
| 315 | 12 | 19.173 | 17.000 | 0.984 | 1.260 | 63.493 | 12 |

PVDF BLIND FLANGE LINER

| Size | | Description | Not Pressure Rated Part Number |
|------|-------|-------------|-----------------------------------|
| mm | inch | | |
| 20 | 1/2 | ANSI 150# | 5427005 |
| 25 | 3/4 | ANSI 150# | 5427007 |
| 32 | 1 | ANSI 150# | 5427010 |
| 40 | 1-1/4 | ANSI 150# | 5427012 |
| 50 | 1-1/2 | ANSI 150# | 5427015 |
| 63 | 2 | ANSI 150# | 5427020 |
| 75 | 2-1/2 | ANSI 150# | 5427025 |
| 90 | 3 | ANSI 150# | 5427030 |
| 110 | 4 | ANSI 150# | 5427040 |
| 160 | 6 | ANSI 150# | 5427060 |
| 200 | 8 | ANSI 150# | 5427080 |

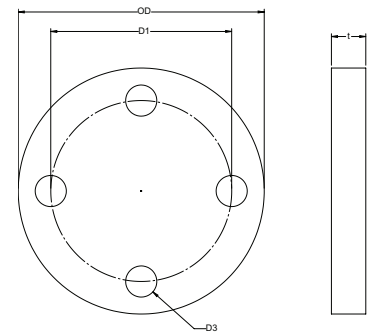


**PVDF
Blind Flange Liner**

Machined item non-returnable / non-cancelable.
Not for pressure applications unless utilized with pressure rated blind flange see above.

Accessories

| Size | | OD | D1 | D3 | t | Weight (lbs) | # of Bolt Holes |
|------|-------|--------|--------|-------|-------|-----------------|--------------------|
| mm | inch | | | | | | |
| 20 | 1/2 | 3.740 | 2.380 | 0.630 | 0.669 | 0.258 | 4 |
| 25 | 3/4 | 4.016 | 2.750 | 0.630 | 0.669 | 0.340 | 4 |
| 32 | 1 | 4.488 | 3.120 | 0.630 | 0.669 | 0.507 | 4 |
| 40 | 1-1/4 | 5.118 | 3.500 | 0.630 | 0.669 | 0.732 | 4 |
| 50 | 1-1/2 | 5.236 | 3.880 | 0.630 | 0.669 | 0.805 | 4 |
| 63 | 2 | 6.378 | 4.750 | 0.787 | 0.669 | 1.220 | 4 |
| 75 | 2-1/2 | 7.244 | 5.500 | 0.787 | 0.669 | 1.542 | 4 |
| 90 | 3 | 7.638 | 6.000 | 0.787 | 0.669 | 1.840 | 4 |
| 110 | 4 | 9.016 | 7.500 | 0.787 | 0.669 | 2.950 | 8 |
| 160 | 6 | 11.142 | 9.500 | 0.866 | 0.669 | 5.100 | 8 |
| 200 | 8 | 13.583 | 11.750 | 0.866 | 0.669 | 7.920 | 8 |
| 250 | 10 | 16.220 | 14.250 | 0.984 | 0.669 | 15.150 | 12 |
| 315 | 12 | 19.173 | 17.000 | 0.984 | 0.669 | 28.800 | 12 |



AV Gaskets

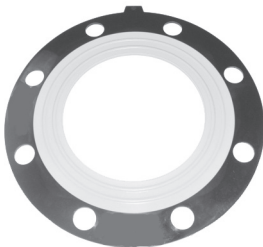
Please consult current Valve List Price book to ensure the list prices on all AV gaskets are current. Current Valve Price book supersedes this pricing.



EPDM
Durometer 65-70



PVDF
Durometer 83-85



PTFE
Durometer 95-100

CT GASKETS -PTFE*



PTFE

* Non stock-special order

AV Gaskets - EPDM

| Size | Description | Part Number |
|--------|-------------|-------------|
| 1/2" | EPDM | 3113005 |
| 3/4" | EPDM | 3113007 |
| 1" | EPDM | 3113010 |
| 1-1/4" | EPDM | 3113012 |
| 1-1/2" | EPDM | 3113015 |
| 2" | EPDM | 3113020 |
| 2-1/2" | EPDM | 3113025 |
| 3" | EPDM | 3113030 |
| 4" | EPDM | 3113040 |
| 6" | EPDM | 3113060 |
| 8" | EPDM | 3113080 |
| 10" | EPDM | 3113100 |
| 12" | EPDM | 3113120 |

AV Gaskets - PVDF

| Size | Description | Part Number |
|--------|-------------|-------------|
| 1/2" | PVDF | 3115005 |
| 3/4" | PVDF | 3115007 |
| 1" | PVDF | 3115010 |
| 1-1/2" | PVDF | 3115015 |
| 2" | PVDF | 3115020 |
| 3" | PVDF | 3115030 |
| 4" | PVDF | 3115040 |
| 6" | PVDF | 3115060 |
| 8" | PVDF | 3115080 |
| 10" | PVDF | 3115100 |

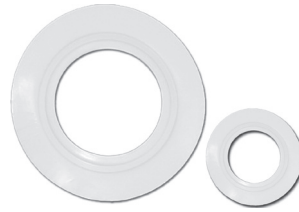
AV Gaskets - PTFE

| Size | Description | Part Number |
|--------|-------------|-------------|
| 1/2" | PTFE | 3114005 |
| 3/4" | PTFE | 3114007 |
| 1" | PTFE | 3114010 |
| 1-1/4" | PTFE | 3114012 |
| 1-1/2" | PTFE | 3114015 |
| 2" | PTFE | 3114020 |
| 2-1/2" | PTFE | 3114025 |
| 3" | PTFE | 3114030 |
| 4" | PTFE | 3114040 |
| 6" | PTFE | 3114060 |
| 8" | PTFE | 3114080 |
| 10" | PTFE | 3114100 |
| 12" | PTFE | 3114120 |

General grade, available cleaned and bagged.

| Size | | Description | Part Number |
|------|------|-------------|-------------|
| mm | inch | | |
| 355 | 14 | ANSI 150# | 3116140 |
| 400 | 16 | ANSI 150# | 3116160 |
| 450 | 18 | ANSI 150# | 3116180 |
| 500 | 20 | ANSI 150# | 3116200 |
| 630 | 24 | ANSI 150# | 3116240 |

Accessories



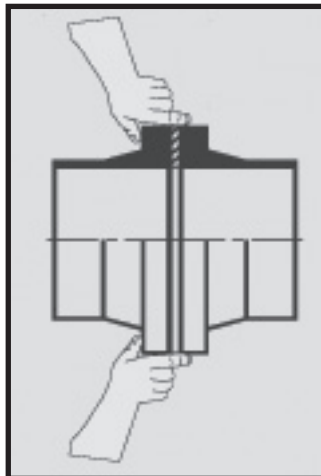
Seal Clean Gaskets

SEAL CLEAN ePTFE GASKET

| Size | | Description | SDR 11 Part Number | SDR 21 Part Number | SDR 33 Part Number |
|------|-------|-----------------|-----------------------|-----------------------|-----------------------|
| mm | inch | | | | |
| 20 | 1/2 | ZDL, Low Torque | 3175005 | 3171005 | 3173005 |
| 25 | 3/4 | ZDL, Low Torque | 3175007 | 3171007 | 3173007 |
| 32 | 1 | ZDL, Low Torque | 3175010 | 3171010 | 3173010 |
| 40 | 1-1/4 | ZDL, Low Torque | 3175012 | 3171012 | 3173012 |
| 50 | 1-1/2 | ZDL, Low Torque | 3175015 | 3171015 | 3173015 |
| 63 | 2 | ZDL, Low Torque | 3175020 | 3171020 | 3173020 |
| 75 | 2-1/2 | ZDL, Low Torque | 3175025 | 3171025 | 3173025 |
| 90 | 3 | ZDL, Low Torque | 3175030 | 3171030 | 3173030 |
| 110 | 4 | ZDL, Low Torque | 3175040 | 3171040 | 3173040 |
| 160 | 6 | ZDL, Low Torque | 3175060 | 3171060 | 3173060 |
| 200 | 8 | ZDL, Low Torque | 3175080 | 3171080 | 3173080 |
| 225 | 9 | ZDL, Low Torque | 3175090 | 3171090 | 3173090 |
| 250 | 10 | ZDL, Low Torque | 3175100 | 3171100 | 3173100 |
| 315 | 12 | ZDL, Low Torque | 3175120 | 3171120 | 3173120 |

Seal Clean gaskets match pipe system ID, be sure to choose correct SDR.
Not a full face gasket, OD matches Stub End shoulder OD.

Accessories



Asahi/America Tip

-Inside diameter of the gasket matches with the ID of the stub end, creating no dead space.

-Outside diameter of the gasket lines up with the OD of the stub end for easy installation.



SANITARY GASKETS

| Description | EPDM | FKM | PTFE |
|------------------|-------------|-------------|-------------|
| | Part Number | Part Number | Part Number |
| 3/4" TC Gasket | 540920207 | 540920307 | 540920407 |
| 1" TC Gasket | 540920210 | 540920310 | 540920410 |
| 1-1/2" TC Gasket | 540920215 | 540920315 | 540920415 |
| 2" TC Gasket | 540920220 | 540920320 | 540920420 |
| 2-1/2" TC Gasket | 540920225 | 540920325 | 540920425 |
| 3" TC Gasket | 540920230 | 540920330 | 540920430 |
| 4" TC Gasket | 540920240 | 540920340 | 540920440 |

SANITARY CLAMP CAPS

| Description | PP-N | PVDF |
|----------------|-------------|-------------|
| | Part Number | Part Number |
| 3/4" END CAP | 540920507 | 540920607 |
| 1-1/2" END CAP | 540920515 | 540920615 |
| 2" END CAP | 540920520 | 540920620 |
| 2-1/2" END CAP | 540920525 | 540920625 |
| 3" END CAP | 540920530 | 540920630 |
| 4" END CAP | 540920540 | 540920640 |

| Description | Stainless Steel | PP-G |
|------------------------|-----------------|-------------|
| | Part Number | Part Number |
| 3/4" SANITARY CLAMPS | 540920007 | 540920107 |
| 1-1/2" SANITARY CLAMPS | 540920015 | 540920115 |
| 2" SANITARY CLAMPS | 540920020 | 540920120 |
| 2-1/2" SANITARY CLAMPS | 540920025 | 540920125 |
| 3" SANITARY CLAMPS | 540920030 | 540920130 |
| 4" TSANITARY CLAMPS | 540920040 | 540920140 |

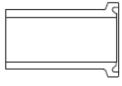

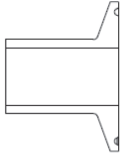
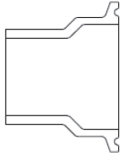
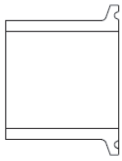

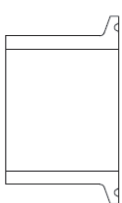

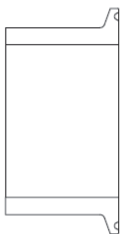



**Sanitary
Clamps**

TRICLAMP SIZE COMPARISON

Triclamps or sanitary adapters are used primarily on stainless steel systems to ease sanitation processes. The quickly disconnected fitting offers a hygienic connection between different pieces of equipment. Gaskets are designed to match the ID of the pipe and provide a smooth transition between each side.

Since passivation of thermoplastic piping systems is not required, sanitary adapters are not widely used. It does not make a great transition from SS to plastic systems and can be used to connect to existing equipment

| Pipe OD | Cap | Clamp | Gasket |
|---------|---|---|----------------------|
| 20mm |  |  | 3/4" Mini 3/4" |
| 25mm |  | | 1-1/2" 1" |
| 32mm |  | | 1-1/2" 1-1/2" |
| 40mm |  |  | 1-1/2" 1-1/2" |
| 50mm |  |  | 2" 2" |
| 63mm |  |  | 2-1/2" 2-1/2" |

Asahi Product Offering

All of Asahi's piping materials offer sanitary triclamp connections as well as several different standard gaskets and clamp materials. **For custom options, please consult Engineering.**

- Fitting:** PVDF, PPn, PP, ECTFE
- Gasket:** EPDM, FKM and PTFE
- Clamp:** Stainless, nylon
- Size:** 20-63mm pressure rated up to 6" x 160mm non-rated

Accessories



Replacement Diaphragm

REPLACEMENT DIAPHRAGM - T-342/343 HIGH PURITY DIAPHRAGM VALVES

| Size | | DN | Spigot Size (mm) | EPDM | PTFE/EPDM | TFM/EPDM* |
|------|-------|-----|-----------------------------------|-------------|-------------|-------------|
| mm | inch | | | Part Number | Part Number | Part Number |
| 20 | 1/2 | 15 | Use 25mm 3/4" DN20 | | | |
| 25 | 3/4 | 20 | 20, 25, 20/20 - 25/25 | 3174007 | 3172007 | 3172107 |
| 32 | 1 | 25 | 32, 32/20 - 110/32 | 3174010 | 3172010 | - |
| 40 | 1-1/4 | 32 | Use 50mm 1-1/2" DN40 | | | |
| 50 | 1-1/2 | 40 | 40, 50 | 3174015 | 3172015 | 3172115 |
| 63 | 2 | 50 | 63, 63/40 - 63/63, 75/40 - 110/63 | 3174020 | 3172020 | 3172120 |
| 90 | 3 | 80 | 75, 90 | 3174030 | 3172030 | - |
| 110 | 4 | 100 | 110, 140 | 3174040 | 3172040 | - |

Accessories

* TFM/EPDM diaphragm is recommended instead of PTFE for use on actuated diaphragm valves (DN40, DN50). PTFE/EPDM and TFM/EPDM diaphragms cannot be reused. EPDM diaphragms may be reused if in good condition. DN refers to the metric nominal dimension, size can be found on diaphragm tab.

| How to Read Spigot Size Combos | | | | |
|--------------------------------|--------|-----------------|-----|--------|
| Run | Branch | All Sizes Up to | Run | Branch |
| 63 | / 40 | - | 63 | / 63 |

Sizes included: 63mm x 40mm, 63mm x 50mm, 63mm x 63mm.

REPLACEMENT MANUAL BONNET - T-342/343

| Size | | DN | Spigot Size (mm) | Part Number |
|------|-------|-----|-----------------------------------|-------------|
| mm | inch | | | |
| 20 | 1/2 | 15 | Use 25mm 3/4" DN20 | |
| 25 | 3/4 | 20 | 20, 25, 20/20 - 25/25 | 6365007 |
| 32 | 1 | 25 | 32, 32/20 - 110/32 | 6365010 |
| 40 | 1-1/4 | 32 | Use 50mm 1-1/2" DN40 | |
| 50 | 1-1/2 | 40 | 40, 50 | 6365015 |
| 63 | 2 | 50 | 63, 63/40 - 63/63, 75/40 - 110/63 | 6365020 |
| 90 | 3 | 80 | 75, 90 | 6365030 |
| 110 | 4 | 100 | 110, 140 | 6365040 |



Manual Actuator

DN refers to the metric nominal dimension, size can be found on diaphragm tab.

All valve accessories listed here are only for T-342/T343 high purity diaphragm valves



REPLACEMENT ACTUATOR - T-342/343 HIGH PURITY DIAPHRAGM VALVES

| Size | Spigot Size (mm) | Normally Closed Part Number | Normally Open Part Number | Air to Air Part Number |
|--------------|---|-----------------------------|---------------------------|------------------------|
| DN15, DN20 | 20, 25, 20/20 - 25/25 | 6363007 | 6364007 | 6362007 |
| DN32 | 32, 32/20 - 110/32 | 6363010 | 6364010 | 6362010 |
| Special DN50 | <i>Special N/O 75/40, 90/40, 110/40</i> | - | 6364012* | - |
| DN 32, DN40 | 40, 50 | 6363015 | 6364015 | 6362015 |
| DN50 | 63, 63/40 - 63/63, 75/40 - 110/63 | 6363020 | 6364020 | 6362020 |

*Only for use with 75/40, 90/40, 110/40 air to close actuator.

Accessories

ACTUATION ACCESSORIES - T-342/343 HIGH PURITY DIAPHRAGM VALVES

| Size | Min/Max Stroke Limitor | Part Number |
|-------------------------|--|-------------|
| 20, 25, 32, X/20 - X/32 | Adjustable mechanical limit mounts on top of actuator | 6387010 |
| 40, 50, 63, X/40 - X/63 | | 6387020 |

| Size | Max Stroke Limitor | Part Number |
|-------------------------|---------------------------|-------------|
| 20, 25, 32, X/20 - X/32 | Mounts on top of actuator | 6387098 |
| 40, 50, 63, X/40 - X/63 | | 6387099 |

| Size | Type 8697 Electric Position Feedback | Part Number |
|-------------------------|---|-------------|
| 20, 25, 32, X/20 - X/32 | Mechanical limit switches, inductive mounts on top of actuator, 10-30 V DC | 6388010 |
| 40, 50, 63, X/40 - X/63 | | 6388020 |

| Size | Type 1071 Magnetic Position Indicator Feedback | Part Number |
|-------------------------|--|-------------|
| 20, 25, 32, X/20 - X/32 | Magnetic inductive position feedback mounts on side of actuator, 10-30 V DC | 6389010 |
| 40, 50, 63, X/40 - X/63 | | 6389020 |

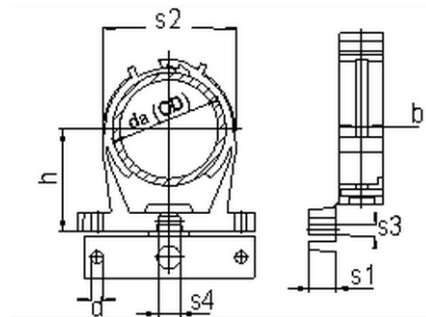
| Size | Manual Override Handwheel | Part Number |
|-------------------------|---------------------------|-------------|
| 20, 25, 32, X/20 - X/32 | Mounts on top of actuator | 6387088 |
| 40, 50, 63, X/40 - X/63 | | 6387089 |

All valve accessories listed here are only for T-342/343 high purity diaphragm valves.

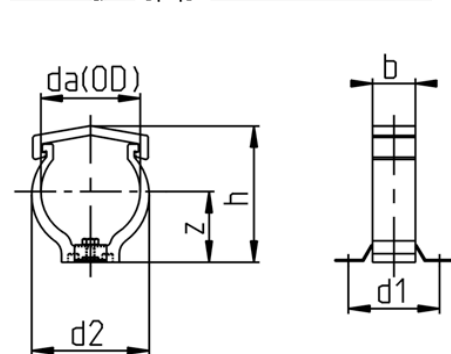


PIPE CLIPS

| Size | | Description | Part Number |
|------|-------|--------------|-------------|
| mm | inch | | |
| 20 | 1/2 | Snap Clips | 5349005 |
| 25 | 3/4 | Snap Clips | 5349007 |
| 32 | 1 | Snap Clips | 5349010 |
| 40 | 1-1/4 | Snap Clips | 5349012 |
| 50 | 1-1/2 | Snap Clips | 5349015 |
| 63 | 2 | 2 Piece Clip | 5246020 |
| 75 | 2-1/2 | 2 Piece Clip | 5246025 |
| 90 | 3 | 2 Piece Clip | 5246030 |
| 110 | 4 | 2 Piece Clip | 5246040 |
| 160 | 6 | 2 Piece Clip | 5246060 |
| 200 | 8 | 2 Piece Clip | 5246080 |
| 225 | 9 | 2 Piece Clip | 5246090 |



| Size | | h | s1 | s2 | s3/d | s4 | b |
|------|-------|------|------|------|------|------|------|
| mm | inch | | | | | | |
| 20 | 1/2 | 1.06 | 0.24 | 1.14 | 0.26 | 0.35 | 0.55 |
| 25 | 3/4 | 1.18 | 0.40 | 1.34 | 0.26 | 0.35 | 0.63 |
| 32 | 1 | 1.24 | 0.45 | 1.54 | 0.26 | 0.35 | 0.63 |
| 40 | 1-1/4 | 1.46 | 0.55 | 1.97 | 0.26 | 0.35 | 0.69 |
| 50 | 1-1/2 | 1.61 | 0.59 | 2.20 | 0.26 | 0.35 | 0.79 |



| Size | | z | d1 | d2 | h | b |
|------|-------|------|------|-------|-------|------|
| mm | inch | | | | | |
| 63 | 2 | 2.04 | 2.91 | 3.07 | 3.74 | 1.16 |
| 75 | 2-1/2 | 2.40 | 3.23 | 3.70 | 4.41 | 1.57 |
| 90 | 3 | 2.63 | 3.22 | 4.25 | 5.03 | 1.57 |
| 110 | 4 | 3.14 | 3.22 | 5.39 | 5.98 | 1.57 |
| 160 | 6 | 4.56 | 4.33 | 7.24 | 8.54 | 2.36 |
| 200 | 8 | 5.82 | 4.33 | 9.37 | 10.50 | 2.36 |
| 225 | 9 | 6.22 | 4.33 | 10.28 | 11.46 | 2.36 |



PIPE CLIPS

| Size | | Description | Part Number |
|------|------|-------------|-------------|
| mm | inch | | |
| 250 | 10 | Snap Clips | 5350100 |
| 280 | 11 | Snap Clips | 5350110 |
| 315 | 12 | Snap Clips | 5350120 |
| 355 | 14 | Snap Clips | 5350140 |
| 400 | 16 | Snap Clips | 5350160 |

10-16" pipe clips are special order.

| Size | | B | D | E | d3 | Z1 | Z2 |
|------|------|-------|------|------|------|-------|------|
| mm | inch | | | | | | |
| 250 | 10 | 7.88 | 0.98 | 1.57 | 0.51 | 7.19 | 5.61 |
| 280 | 11 | 7.88 | 0.98 | 1.57 | 0.51 | 7.78 | 6.12 |
| 315 | 12 | 8.86 | 0.98 | 1.57 | 0.51 | 8.6 | 6.75 |
| 355 | 14 | 10.12 | 1.18 | 1.97 | 0.67 | 10.87 | 8.27 |
| 400 | 16 | 11.34 | 1.18 | 1.97 | 0.67 | 11.85 | 9.06 |

