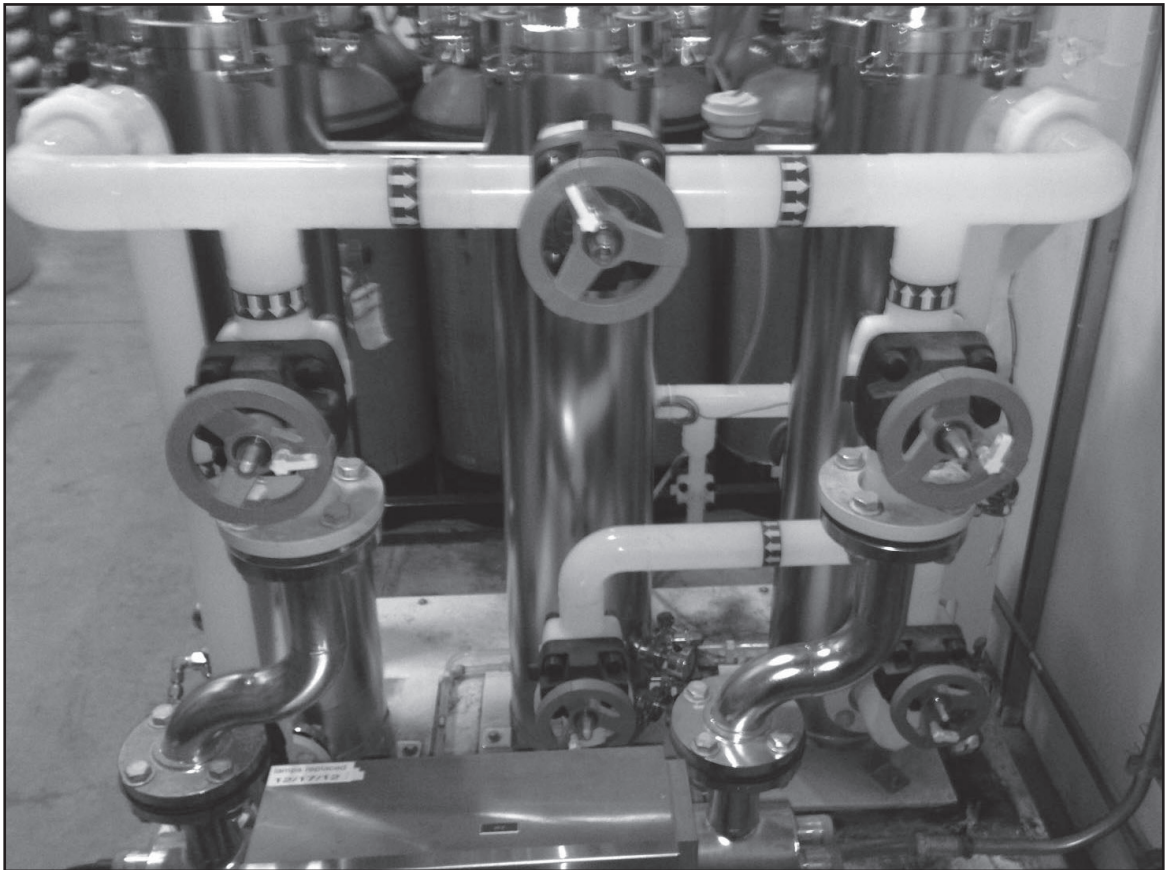


# Super Proline® Chem Grade PVDF Single Wall Piping System



Super Proline®  
Chemical Grade PVDF

# Super Proline®

Natural Polyvinylidene Fluoride (PVDF)  
Chemical Piping System  
REV:IN0512PV

**Materials:** ASTM D3222 Type II Suspension grade homopolymer. Resin shall comply with FDA Code of Federal Regulators (CFR), Title 21, Chapter 1: Section 177.2510 determining suitability for contact with foodstuff.

**Pipe Production:** Dimensions and tolerances shall exceed ISO 10931 requirement.

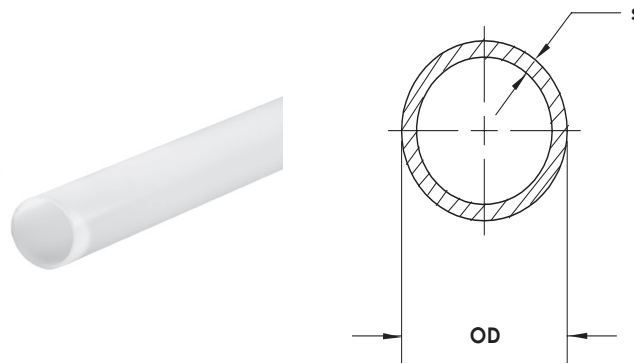
**Fitting Production:** Dimensions and tolerances shall exceed ISO 10931 requirement. Fittings shall be molded with a central injection gate.

**Pressure Rating:** Components shall be pressure rated in accordance with ASTM D2837 and DIN 8077 for hydrostatic design basis. Components shall be manufactured to standard dimensional ratio (SDR) 21 and 33 and others upon request.

Based on continuous service life of 50 years at 68°F (20°C).

**Joining:** Available methods shall be according to the schedule below  
DVS 2208-1 Socket: 1/2" (20mm) through 4" (110mm)  
DVS 2207-15 Contact Butt: 1/2" (20mm) through 16" (400mm)

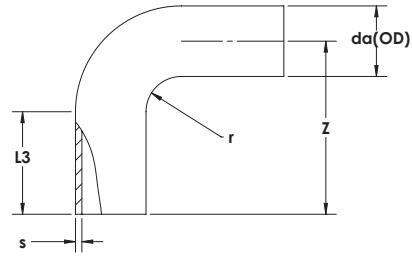
Super Proline®  
Chemical Grade PVDF

**PIPE\*** 5 meter (16.4') lengths

Size		Dimensions SDR 21 / PN 16 / 230 PSI				Dimensions SDR 33 / PN 10 / 150 PSI			
mm	inch	OD	s	Weight (lbs/lth)	Part Number	OD	s	Weight (lbs/lth)	Part Number
20	1/2	0.787	0.075	2.31	5901005	-	-	-	-
25	3/4	0.984	0.075	2.98	5901007	-	-	-	-
32	1	1.260	0.094	4.85	5901010	-	-	-	-
40	1-1/4	1.575	0.094	6.06	5901012	-	-	-	-
50	1-1/2	1.969	0.118	9.37	5901015	-	-	-	-
63	2	2.480	0.118	12.02	5901020	-	-	-	-
75	2-1/2	2.953	0.142	17.09	5901025	-	-	-	-
90	3	3.543	0.169	24.47	5903030	3.543	0.110	16.31	5901030
110	4	4.331	0.209	36.60	5903040	4.331	0.134	24.25	5901040
140	5	5.521	0.264	58.53	5903050	5.521	0.169	38.80	5901050
160	6	6.299	0.303	76.72	5903060	6.299	0.193	50.04	5901060
200	8	7.874	0.378	118.39	5903080	7.874	0.244	79.26	5901080
225	9	8.858	0.425	150.69	5903090	8.858	0.272	98.66	5901090
250	10	9.843	0.469	184.42	5903100	9.843	0.303	122.24	5901100
280	11	11.024	-	-	-	11.024	0.539	152.78	5901110
315	12	12.402	-	-	-	12.402	0.382	193.46	5901120
355	14	-	-	-	-	13.97	0.429	242.51	5901140
400	16	-	-	-	-	15.75	0.484	308.98	5901160

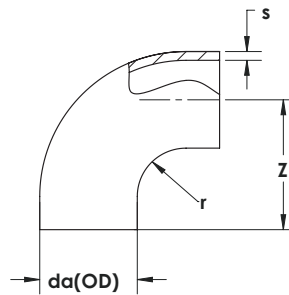
\*Sold in 5m (16.4') lengths only.

Diameter is metric. Inch size provided as nominal only.



**EXTENDED LEG 90 DEGREE ELBOW**

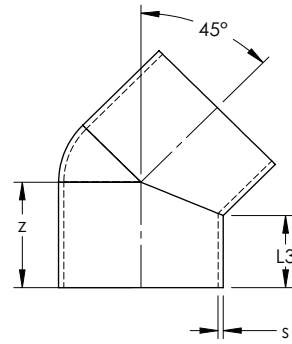
Size		Dimensions				SDR 21 / PN 16 / 230 PSI		SDR 33 / PN 10 / 150 PSI		
mm	inch	z	r	L3	s	Weight (lbs)	Part Number	s	Weight (lbs)	Part Number
20	1/2	2.01	0.79	1.30	0.075	0.04	5902005	-	-	-
25	3/4	2.21	0.98	1.30	0.075	0.09	5902007	-	-	-
32	1	2.48	1.26	1.30	0.094	0.11	5902010	-	-	-
40	1-1/4	2.84	1.58	1.42	0.094	0.18	5902012	-	-	-
50	1-1/2	3.31	1.97	1.42	0.118	0.29	5902015	-	-	-
63	2	3.82	2.48	1.38	0.118	0.44	5902020	-	-	-
75	2-1/2	3.94	2.95	1.10	0.142	0.66	5902025	-	-	-
90	3	4.84	3.54	1.34	0.169	1.15	5902030	0.11	0.86	5929030
110	4	5.59	4.33	1.34	0.209	2.03	5902040	0.134	1.04	5929040
160	6	9.29	6.30	2.87	0.303	6.26	5902060	0.193	4.37	5929060
225	9	11.85	8.86	2.87	0.425	16.00	5902090	0.272	11.20	5929090



**90 DEGREE ELBOW**

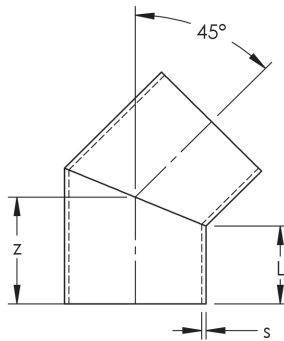
Size		Dimensions		SDR 21 / PN 16 / 230 PSI			SDR 33 / PN 10 / 150 PSI		
mm	inch	z	r	s	Weight (lbs)	Part Number	s	Weight (lbs)	Part Number
160	6	7.131	6.186	0.303	4.50	5910060	0.193	3.26	5907060
200	8	8.550	7.722	0.378	8.38	5910080	0.244	6.08	5907080
225	9	9.567	8.858	0.425	11.62	5910090	0.275	8.11	5907090
250	10	11.308	9.850	0.469	18.10	5910100	0.303	12.63	5907100
315	12	-	-	-	-	-	0.382	22.27	5907120

Super Proline®  
Chemical Grade PVDF



**MOLDED 45 DEGREE ELBOW**

Size		Dimensions			SDR 21 / PN 16 / 230 PSI		SDR 33 / PN 10 / 150 PSI		
mm	inch	z	L3	s	Weight (lbs)	Part Number	s	Weight (lbs)	Part Number
20	1/2	1.694	1.537	0.075	0.04	5914005	-	-	-
25	3/4	1.773	1.576	0.075	0.07	5914007	-	-	-
32	1	2.049	1.812	0.094	0.11	5914010	-	-	-
40	1-1/4	2.285	1.970	0.094	0.18	5914012	-	-	-
50	1-1/2	2.600	2.206	0.118	0.29	5914015	-	-	-
63	2	2.955	2.443	0.118	0.42	5914020	-	-	-
75	2-1/2	1.891	1.261	0.142	0.31	5914025	-	-	-
90	3	2.325	1.418	0.169	0.57	5916030	0.110	0.88	5914030
110	4	2.679	1.773	0.209	1.01	5916040	0.134	1.57	5914040
160	6	4.058	2.561	0.303	3.19	5916060	0.193	2.18	5914060

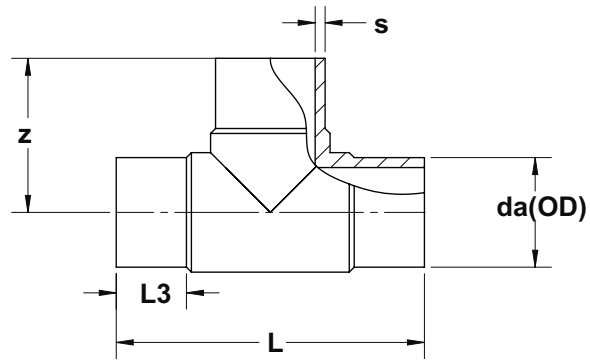


**SEGMENTED 45 DEGREE ELBOW\***

Size		Dimensions			SDR 33 / PN 6 / 90 PSI	
mm	inch	z	L3	s	Weight (lbs)	Part Number
200	8	7.953	7.126	0.378	8.93	6240080
250	10	9.488	8.032	0.469	15.98	6240100
315	12	8.819	8.504	0.528	20.41	6240120

\*Segmented fitting fabricated from pipe.

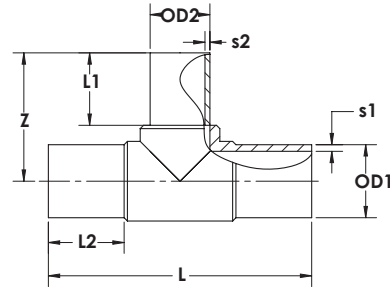
**Super Proline®**  
**Chemical Grade PVDF**



**TEE**

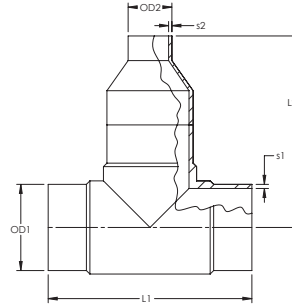
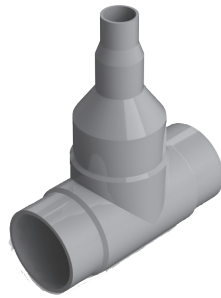
Size		Dimensions				SDR 21 / PN 16 / 230 PSI		SDR 33 / PN 10 / 150 PSI		
mm	inch	z	L	L3	s	Weight (lbs)	Part Number	s	Weight (lbs)	Part Number
20	1/2	1.378	2.756	0.591	0.075	0.04	5918005	-	-	-
25	3/4	1.575	3.150	0.591	0.075	0.09	5918007	-	-	-
32	1	1.772	3.504	0.669	0.094	0.13	5918010	-	-	-
40	1-1/4	1.969	3.937	0.630	0.094	0.20	5918012	-	-	-
50	1-1/2	2.362	4.724	0.906	0.118	0.35	5918015	-	-	-
63	2	2.953	5.866	1.102	0.118	0.57	5918020	-	-	-
75	2-1/2	3.425	6.850	1.102	0.142	0.88	5918025	-	-	-
90	3	3.622	7.126	1.299	0.169	1.39	5921030	0.110	1.04	5918030
110	4	4.331	8.780	1.299	0.209	2.54	5921040	0.134	2.07	5918040
160	6	5.512	10.984	1.772	0.303	5.82	5921060	0.193	4.19	5918060
200	8	8.780	17.559	3.504	0.378	16.16	5921080	0.244	12.57	5918080
225	9	7.685	19.528	3.898	0.425	20.50	5921090	0.272	14.82	5918090
250	10	9.843	19.685	3.150	0.469	25.14	5921100	0.303	18.96	5918100
315	12	10.827	21.850	3.150	-	-	-	0.382	29.99	5918120

**Super Proline®**  
**Chemical Grade PVDF**



## REDUCING TEE

Size		Dimensions						SDR 21 x 21 / PN 16 x 16 / 230 PSI	
mm	inch	z	L	L1	L2	s1	s2	Weight (lbs)	Part Number
63 x 25	2 X 3/4	2.95	5.905	1.142	1.102	0.118	0.075	0.49	5922248
63 x 32	2 x 1	2.913	5.866	1.102	1.063	0.118	0.094	0.49	5922249
90 x 63	3 x 2	5.079	10.354	2.953	2.559	0.169	0.118	1.72	5922338
110 x 63	4 x 2	5.906	12.283	3.346	2.559	0.209	0.118	2.78	5922420
110 x 90	4 x 3	5.906	12.323	3.425	2.953	0.209	0.169	3.02	5922422
160 x 63	6 x 2	6.890	13.228	3.937	2.559	0.303	0.118	6.02	5922530
160 x 90	6 x 3	7.205	13.701	3.819	2.756	0.303	0.169	6.28	5922531
160 x 110	6 x 4	7.283	13.583	3.780	3.189	0.303	0.209	6.50	5922532
Size		Dimensions						SDR 33 x 21 / PN 10 x 16/ 150 PSI	
mm	inch	z	L	L1	L2	s1	s2	Weight (lbs)	Part Number
90 x 63	3 x 2	5.079	10.354	2.953	2.559	0.110	0.118	1.28	5920338
110 x 63	4 x 2	5.906	12.402	3.346	2.559	0.134	0.118	2.03	5920420
160 x 63	6 x 2	6.890	13.583	3.937	2.559	0.193	0.118	4.23	5920530
160 x 90	6 x 3	7.205	13.701	3.819	2.756	0.193	0.169	5.56	5920531
160 x 110	6 x 4	7.283	13.661	3.780	3.189	0.193	0.209	4.72	5920532
Size		Dimensions						SDR 33 x 33 / PN 10 x 10/ 150 PSI	
mm	inch	z	L	L1	L2	s1	s2	Weight (lbs)	Part Number
160 x 90	6 x 3	7.205	13.701	3.780	2.756	0.193	0.110	4.37	5931531
160 x 110	6 x 4	7.283	13.740	3.819	3.150	0.193	0.134	5.95	5931532



**FABRICATED REDUCING TEE\***

Size		Dimensions		SDR 21 / PN 16 / 230 PSI		
mm	inch	L1	L2*	s1	s2	Part Number
25 x 20	3/4 x 1/2	3.15	3.15	0.094	0.075	5922101
32 x 20	1 x 1/2	3.50	3.15	0.094	0.075	5922130
32 x 25	1 x 3/4	3.50	3.50	0.094	0.094	5922131
40 x 20	1-1/4 x 1/2	4.49	4.15	0.118	0.075	5922166
40 x 25	1-1/4 x 3/4	4.49	4.15	0.118	0.075	5922167
40 x 32	1-1/4 x 1	4.49	3.75	0.118	0.094	5922168
50 x 20	1-1/2 x 1/2	4.72	3.75	0.118	0.094	5922208
50 x 25	1-1/2 x 3/4	4.72	3.75	0.118	0.075	5922210
50 x 32	1-1/2 x 1	4.72	3.75	0.118	0.075	5922211
50 x 40	1-1/2 x 1-1/4	4.72	3.9	0.118	0.094	5922212
63 x 25	2 x 3/4	5.86	4.00	0.118	0.118	5922248
63 x 32	2 x 1	-	-	-	-	Molded Available!
63 x 40	2 x 1-1/4	5.86	4.30	0.142	0.094	5922250
63 x 50	2 x 1-1/2	5.86	4.30	0.142	0.118	5922251
75 x 50	2-1/2 x 1-1/2	6.85	6.60	0.142	0.118	5922291
75 x 63	2-1/2 x 2	6.85	6.60	0.169	0.075	5922292
90 x 50	3 x 1-1/2	7.13	6.68	0.169	0.075	5922332
90 x 63	3 x 2	-	-	-	-	Molded Available!
90 x 75	3 x 2-1/2	7.13	7.19	0.169	0.094	5922339
110 x 63	4 x 2	-	-	-	-	Molded Available!
110 x 90	4 x 3	-	-	-	-	Molded Available!
160 x 110	6 x 4	-	-	-	-	Molded Available!
225 x 160	9 x 6	19.61	16.00	0.264	0.094	5922606
250 x 160	10 x 6	19.69	16.80	0.264	0.094	5922627
250 x 225	10 x 9	19.69	16.76	0.134	0.118	5922629
315 x 160	12 x 6	21.85	16.80			-
315 x 250	12 x 10	21.85	17.79			-

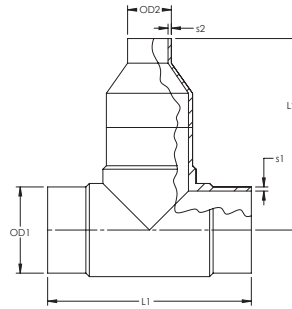
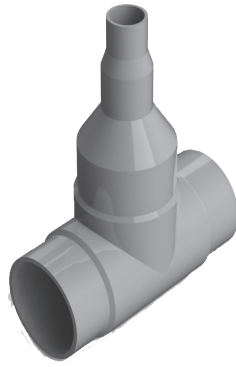
Fabricated from molded tee and molded reducer, non-returnable / non cancelable.

Multiple configurations available, consult factory for pricing.

\*Fabricated dimension tolerance +/- 1/4".

Super Proline®  
Chemical Grade PVDF



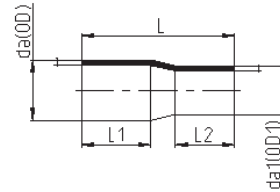


### FABRICATED REDUCING TEE\*

Size		Dimensions		SDR 33 / PN 10 / 150 PSI		
mm	inch	L1	L2*	s1	s2	Part Number
110 x 90	4 x 3	-	-	-	-	<i>Molded Available!</i>
160 x 110	6 x 4	-	-	-	-	<i>Molded Available!</i>
225 x 160	9 x 6	3.937	3.339	0.094	0.075	5931606
250 x 160	10 x 6	3.937	3.339	0.094	0.075	5931627
250 x 225	10 x 9	3.937	3.339	0.094	0.094	5931629
315 x 160	12 x 6	4.724	3.456	0.118	0.075	5931659
315 x 250	12 x 10	4.724	3.456	0.118	0.075	5931630

Fabricated from molded tee and molded reducer, non-returnable / non cancelable.  
Multiple configurations available, consult factory for pricing.

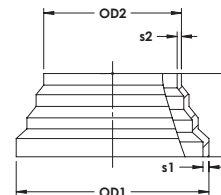
\*Fabricated dimension tolerance +/- 1/4".



**EXTENDED LEG CONCENTRIC REDUCER**

Size		Dimensions			SDR 21 x 21 / PN 16 x 16 / 230 PSI	SDR 33 x 33 / PN 10 x 10 / 150 PSI
mm	inch	L	L1	L2	Part Number	Part Number
25 x 20	3/4 x 1/2	1.97	0.79	0.79	5924101	-
32 x 20	1 x 1/2	1.97	0.73	0.75	5924130	-
32 x 25	1 x 3/4	1.97	0.79	0.79	5924131	-
40 x 20	1-1/4 x 1/2	2.17	0.79	0.79	5924166	-
40 x 25	1-1/4 x 3/4	2.17	0.79	0.79	5924167	-
40 x 32	1-1/4 x 1	2.17	0.79	0.79	5924168	-
50 x 20	1-1/2 x 1/2	2.36	0.95	0.79	5924208	-
50 x 25	1-1/2 x 3/4	2.36	0.95	0.79	5924210	-
50 x 32	1-1/2 x 1	2.36	0.99	0.79	5924211	-
50 x 40	1-1/2 x 1-1/4	2.36	0.99	0.87	5924212	-
63 x 25	2 x 3/4	2.95	0.99	0.79	5924248	-
63 x 32	2 x 1	2.56	0.99	0.71	5924249	-
63 x 40	2 x 1-1/4	2.56	1.02	0.87	5924250	-
63 x 50	2 x 1-1/2	2.56	0.99	0.95	5924251	-
75 x 50	2-1/2 x 1-1/2	5.83	2.49	2.25	5924291	-
75 x 63	2-1/2 x 2	5.87	2.56	2.36	5924292	-
90 x 50	3 x 1-1/2	3.55	1.18	0.99	5924337	-
90 x 63	3 x 2	6.3	2.76	2.33	5924338	-
90 x 75	3 x 2-1/2	6.38	2.96	2.44	5924339	-
110 x 63	4 x 2	4.06	1.3	1.18	5924420	-
110 x 90	4 x 3	7.09	3.11	2.84	5924422	5997422
160 x 110	6 x 4	9.06	3.74	3.51	5924532	5997532
225 x 180	9 x 6	6.30	1.26	1.38	5924606	5997606
250 x 160	10 x 6	7.05	1.42	1.42	5924627	5997627
315 x 160	12 x 6	7.09	1.65	1.46	-	5997659
315 x 250	12 x 10	7.09	1.65	1.46	-	5997630

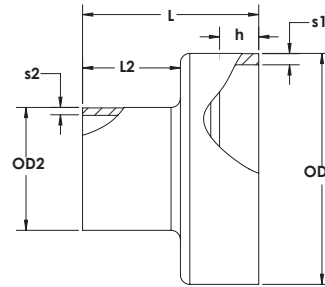
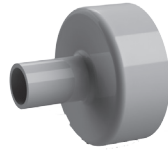
Super Proline®  
Chemical Grade PVDF



**STEPPED CONCENTRIC REDUCER\***

Size		Dimensions			SDR 21 / PN 16 / 230 PSI		SDR 33 / PN 10 / 150 PSI	
mm	inch	L	s1	s2	Weight (lbs)	Part Number	Weight (lbs)	Part Number
63 x 16	2 x 3/8	2.205	0.108	0.075	0.38	5938247	-	-
110 x 63	4 x 2	2.559	0.209	0.118	0.35	5938420	0.29	5937420
160 x 110	6 x 4	3.346	0.193	0.134	-	-	0.73	5937532
225 x 160	9 x 6	3.819	0.272	0.193	-	-	1.74	5937585
315 x 225	12 x 9	5.394	0.382	0.272	-	-	4.45	5937670

\*Stepped concentric reducers require use of flanged adapter in welding machine.

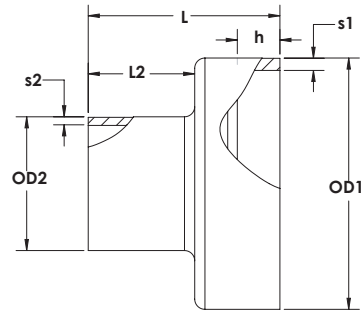
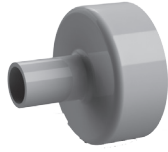


## MACHINED FLUSH REDUCER

Size		Dimensions			SDR 21		
mm	inch	L	L2	h	s1	s2	Part Number
40/20	1-1/4 x 1/2	2.250	1.250	0.500	0.094	0.075	5948166
40/25	1-1/4 x 3/4	2.250	1.250	0.500	0.094	0.075	5948167
40/32	1-1/4 x 1	2.250	1.250	0.500	0.094	0.094	5948168
50/20	1-1/2 x 1/2	2.250	1.250	0.500	0.118	0.075	5948208
50/25	1-1/2 x 3/4	2.250	1.250	0.500	0.118	0.075	5948210
50/32	1-1/2 x 1	2.250	1.250	0.500	0.118	0.094	5948211
50/40	1-1/2 x 1-1/4	2.250	1.250	0.500	0.118	0.094	5948212
63/20	2 x 1/2	2.250	1.250	0.500	0.118	0.075	5948246
63/25	2 x 3/4	2.250	1.250	0.500	0.118	0.075	5948248
63/40	2 x 1-1/4	2.250	1.250	0.500	0.118	0.094	5948250
63/50	2 x 1-1/2	2.250	1.250	0.500	0.118	0.118	5948251
75/32	2-1/2 x 1	2.250	1.250	0.500	0.142	0.094	5948289
75/40	2-1/2 x 1-1/4	2.250	1.250	0.500	0.142	0.094	5948290
75/50	2-1/2 x 1-1/2	2.250	1.250	0.500	0.142	0.118	5948291
75/63	2-1/2 x 2	2.250	1.250	0.500	0.142	0.118	5948292
90/20	3 x 1/2	2.250	1.250	0.500	0.169	0.075	5948332
90/25	3 x 3/4	2.250	1.250	0.500	0.169	0.075	5948333
90/32	3 x 1	2.250	1.250	0.500	0.169	0.094	5948336
90/40	3 x 1-1/4	2.250	1.250	0.500	0.169	0.094	5948335
90/50	3 x 1-1/2	2.250	1.250	0.500	0.169	0.118	5948337
110/20	4 x 1/2	2.250	1.250	0.500	0.209	0.075	5948399
110/25	4 x 3/4	2.250	1.250	0.500	0.209	0.075	5948404
110/32	4 x 1	2.250	1.250	0.500	0.209	0.094	5948401
110/40	4 x 1-1/4	2.250	1.250	0.500	0.209	0.094	5948412
110/50	4 x 1-1/2	2.250	1.250	0.500	0.209	0.118	5948415

Machined items are non-returnable / non-cancelable.  
Consult Asahi/America for pressure rating.

Custom and large sizes available, consult factory.



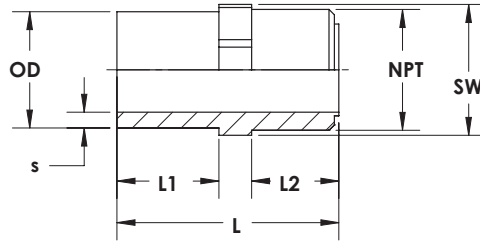
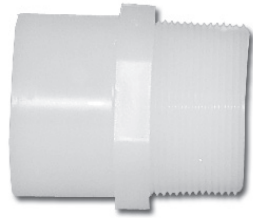
**MACHINED FLUSH REDUCER (CONTINUED)**

Size		Dimensions			SDR 33 x SDR 21		
mm	inch	L	L2	h	s1	s2	Part Number
90/20	3 x 1/2	2.250	1.250	0.500	0.110	0.075	5936332
90/25	3 x 3/4	2.250	1.250	0.500	0.110	0.075	5936333
90/32	3 x 1	2.250	1.250	0.500	0.110	0.094	5936336
90/40	3 x 1-1/4	2.250	1.250	0.500	0.110	0.094	5936335
90/50	3 x 1-1/2	2.250	1.250	0.500	0.110	0.118	5936337
110/20	4 x 1/2	2.250	1.250	0.500	0.135	0.075	5936399
110/25	4 x 3/4	2.250	1.250	0.500	0.135	0.075	5936404
110/32	4 x 1	2.250	1.250	0.500	0.135	0.094	5936401
110/40	4 x 1-1/4	2.250	1.250	0.500	0.135	0.094	5936412
110/50	4 x 1-1/2	2.250	1.250	0.500	0.135	0.118	5936415
160/32	6 x 1	2.250	1.250	0.500	0.193	0.094	5936516
200/63	8 x 2	2.250	1.250	0.500	0.244	0.118	5936581
200/90	8 x 3	2.250	1.250	0.500	0.244	0.169	5936582
200/110	8 x 4	2.250	1.250	0.500	0.244	0.209	5936583
200/160	8 x 6	2.250	1.250	0.500	0.244	0.303	5936585
Size		Dimensions			SDR 33 / PN 10 / 150 PSI		
mm	inch	L	L2	h	s1	s2	Part Number
200/90	8 x 3	2.250	1.250	0.500	0.244	0.110	5938582
200/110	8 x 4	2.250	1.250	0.500	0.244	0.135	5938583
200/160	8 x 6	2.250	1.250	0.500	0.244	0.193	5938585

Machined items are non-returnable / non-cancelable.  
Consult Asahi/America for pressure rating.

Note: Custom and large sizes available, consult factory.

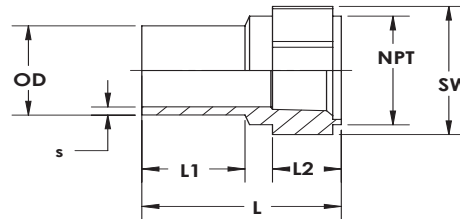
Super Proline®  
Chemical Grade PVDF



**MALE ADAPTER**

Size		Dimensions						SDR 21 / PN 16 / 230 PSI	
mm	inch	s	L	L1	L2	SW	NPT	Weight (lbs)	Part Number
20	1/2	0.075	1.811	0.787	0.709	0.866	1/2	0.02	5947005
25	3/4	0.075	2.008	0.906	0.787	1.063	3/4	0.04	5947007
32	1	0.094	2.402	1.142	0.906	1.417	1	0.09	5947010
40	1-1/4	0.094	2.598	1.142	1.063	1.811	1-1/4	0.15	5947012
50	1-1/2	0.118	2.913	1.299	1.142	2.165	1-1/2	0.26	5947015
63	2	0.118	3.150	1.378	1.220	2.559	2	0.29	5947020
90	3*	0.110	4.00	1.63	1.00	3.54	3	0.60	5947030
110	4*	0.134	4.00	1.73	2.00	4.50	4	1.00	5947040

\*Machined items rated for 5psi.

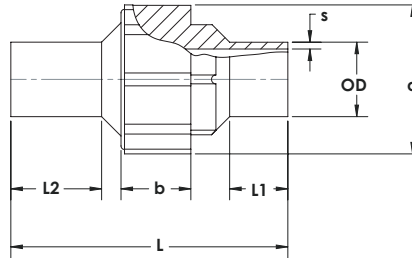


**FEMALE ADAPTER**

Size		Dimensions						SDR 21 / PN 16 / 230 PSI	
mm	inch	s	L	L1	L2	SW	NPT	Weight (lbs)	Part Number
20	1/2	0.075	1.811	0.787	0.630	1.260	1/2	0.07	5949005
25	3/4	0.075	2.008	0.906	0.709	1.614	3/4	0.11	5949007
32	1	0.094	2.283	1.142	0.787	1.811	1	0.18	5949010
40	1-1/4	0.094	2.441	1.181	0.945	2.165	1-1/4	0.29	5949012
50	1-1/2	0.118	2.677	1.339	0.945	2.756	1-1/2	0.46	5949015
63	2	0.118	2.953	1.378	1.102	3.346	2	0.73	5949020
90	3*	0.110	4.00	1.63	1.00	4.50	3	0.80	5949030
110	4*	0.134	4.00	1.73	1.00	5.50	4	1.40	5949040

\*Machined items rated for 5psi.

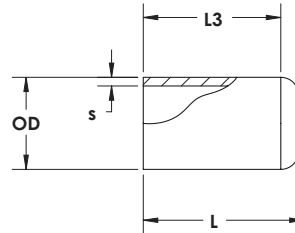
Super Proline®  
 Chemical Grade PVDF



**UNION - FKM**

Size		Dimensions						SDR 21 / PN 16 / 230 PSI	
mm	inch	s	L	L1	L2	d	b	Weight (lbs)	Part Number
20	1/2	0.075	4.213	0.945	1.398	1.850	0.945	0.18	5934005
25	3/4	0.075	4.409	0.945	1.437	2.244	1.024	0.26	5934007
32	1	0.094	4.685	0.984	1.547	2.520	1.181	0.37	5934010
40	1-1/4	0.094	4.921	0.984	1.476	3.012	1.220	0.57	5934012
50	1-1/2	0.118	5.118	0.984	1.575	3.504	1.378	0.79	5934015
63	2	0.118	5.354	0.984	1.594	4.291	1.535	1.21	5934020
90	3	0.169	5.118	1.339	2.165	5.118	1.575	1.68	5934030

Unions are stocked with FKM O-rings. EPDM O-rings are available upon request and require additional lead time.

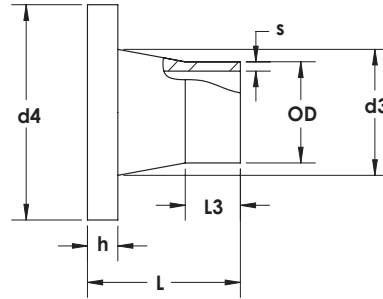


**END CAP - EXTENDED LEG**

Size		Dimensions		SDR 21 / PN 16 / 230 PSI			SDR 33 / PN 10 / 150 PSI		
mm	inch	L	L3	s	Weight (lbs)	Part Number	s	Weight (lbs)	Part Number
20	1/2	1.773	1.615	0.075	0.02	5943005	-	-	-
25	3/4	1.931	1.615	0.075	0.02	5943007	-	-	-
32	1	2.206	1.773	0.095	0.07	5943010	-	-	-
40	1-1/4	2.522	1.970	0.095	0.09	5943012	-	-	-
50	1-1/2	2.876	2.364	0.118	0.15	5943015	-	-	-
63	2	3.388	2.679	0.118	0.24	5943020	-	-	-
75	2-1/2	3.664	2.955	0.142	0.49	5943025	-	-	-
90	3	4.334	3.310	0.169	0.66	5944030	0.110	0.42	5943030
110	4	4.925	3.901	0.209	1.04	5944040	0.134	0.64	5943040
160	6*	1.378	.590	0.303	1.90	5944060	0.193	0.8	5943060
200	8*	1.378	.590	0.378	2.89	5944080	0.244	1.2	5943080

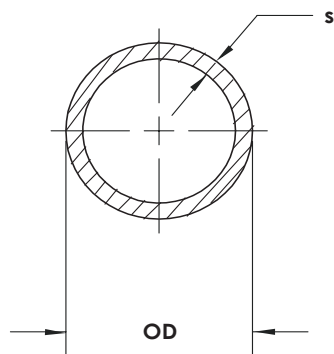
\* Machined

**Super Proline®**  
**Chemical Grade PVDF**

**STUB END\* (FLANGE ADAPTER)**

Size		Dimensions					SDR 21 / PN 16 / 230 PSI				SDR 33 / PN 10 / 150 PSI		
mm	inch	h	L	L3	d3	d4	s	Weight (lbs)	Part Number	s	Weight (lbs)	Part Number	
20	1/2	0.236	1.970	1.221	1.064	1.773	0.075	0.07	5930005	-	-	-	
25	3/4	0.256	1.969	1.181	1.299	2.283	0.075	0.11	5930007	-	-	-	
32	1	0.276	1.969	1.024	1.575	2.677	0.094	0.15	5930010	-	-	-	
40	1 1/4	0.315	1.969	0.866	1.969	3.071	0.094	0.20	5930012	-	-	-	
50	1-1/2	0.354	1.969	0.866	2.402	3.307	0.118	0.29	5930015	-	-	-	
63	2	0.394	1.969	0.709	2.953	3.898	0.118	0.37	5930020	-	-	-	
75	2-1/2	0.433	1.969	0.709	3.504	4.685	0.142	0.57	5930025	-	-	-	
90	3	0.433	3.150	1.299	4.134	5.079	0.169	0.90	5970030	0.110	0.79	5930030	
110	4	0.472	3.150	1.496	4.921	6.063	0.209	1.19	5970040	0.134	1.06	5930040	
160	6	0.709	3.150	1.339	6.890	8.346	0.303	2.38	5970060	0.193	2.09	5930060	
200	8	0.945	3.937	1.417	9.134	10.433	0.378	6.26	5970080	0.244	4.12	5930080	
250	10	0.984	3.937	1.378	11.220	12.598	0.469	7.69	5970100	0.303	6.48	5930100	
315	12	0.787	3.937	1.575	13.189	14.570	-	-	-	0.382	7.28	5930120	

\*Requires backing ring. See page 282-284.



**PIPE\*** 5 meter (16.4') lengths

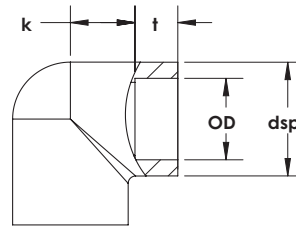
Size		Dimensions		SDR 21 / PN 16 / 230 PSI	
mm	inch	OD	s	Weight (lbs/lth)	Part Number
20	1/2	0.787	0.075	2.31	5901005
25	3/4	0.984	0.075	2.98	5901007
32	1	1.260	0.094	4.85	5901010
40	1-1/4	1.575	0.094	6.06	5901012
50	1-1/2	1.969	0.118	9.37	5901015
63	2	2.480	0.118	12.02	5901020
75	2-1/2	2.953	0.142	17.09	5901025
90	3	3.543	0.169	24.47	5903030
110	4	4.331	0.209	36.60	5903040

\*Pipe is sold in 5 meter lengths only (16.4').

**Super Proline®**  
**Chemical Grade PVDF**

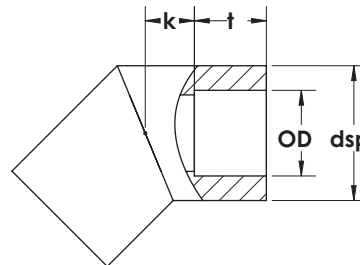
Socket fusion requires SDR 21 PVDF pipe in all dimensions.





## 90 DEGREE ELBOW

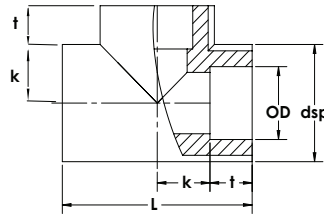
Size		Dimensions			SDR 21 / PN 16 / 230 PSI	
mm	inch	dsp	t	k	Weight (lbs)	Part Number
20	1/2	1.141	0.629	0.590	0.09	5991005
25	3/4	1.377	0.708	0.590	0.13	5991007
32	1	1.692	0.767	0.826	0.22	5991010
40	1-1/4	2.047	0.846	0.984	0.35	5991012
50	1-1/2	2.519	0.964	1.181	0.60	5991015
63	2	3.188	1.102	1.377	1.06	5991020
75	2-1/2	3.622	1.279	1.535	1.30	5991025
90	3	4.448	1.397	1.732	2.40	5991030
110	4	5.236	1.633	2.086	3.42	5991040



## 45 DEGREE ELBOW

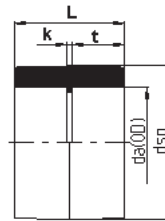
Size		Dimensions			SDR 21 / PN 16 / 230 PSI	
mm	inch	dsp	t	k	Weight (lbs)	Part Number
20	1/2	1.181	0.630	0.197	0.09	5988005
25	3/4	1.378	0.709	0.236	0.11	5988007
32	1	1.693	0.748	0.276	0.18	5988010
40	1-1/4	2.047	0.846	0.354	0.29	5988012
50	1-1/2	2.520	0.945	0.433	0.46	5988015
63	2	3.189	1.142	0.630	0.79	5988020
75	2-1/2	3.622	1.260	0.630	0.93	5988025
90	3	4.449	1.437	0.748	1.81	5988030
110	4	5.236	1.634	1.063	2.71	5988040

Socket fusion requires SDR 21 PVDF pipe in all dimensions.



**TEE**

Size		Dimensions				SDR 21 / PN 16 / 230 PSI	
mm	inch	L	dsp	t	k	Weight (lbs)	Part Number
20	1/2	2.362	1.142	0.630	0.571	0.13	5985005
25	3/4	2.677	1.378	0.689	0.650	0.15	5985007
32	1	3.150	1.693	0.768	0.807	0.29	5985010
40	1-1/4	3.701	2.047	0.846	1.004	0.44	5985012
50	1-1/2	4.252	2.520	0.925	1.181	0.73	5985015
63	2	4.921	3.189	1.142	1.398	1.30	5985020
75	2-1/2	6.024	3.622	1.358	1.654	1.65	5985025
90	3	7.205	4.449	1.496	2.106	3.29	5985030
110	4	8.189	5.236	1.673	2.421	4.37	5985040

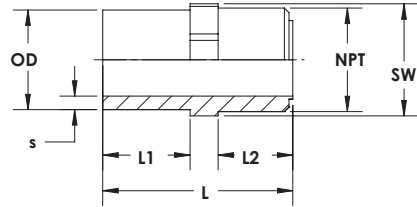
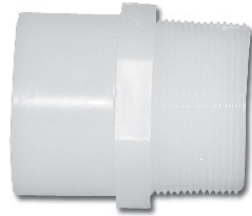


**COUPLING**

Size		Dimensions				SDR 21 / PN 16 / 230 PSI
mm	inch	L	t	k	dsp	Part Number
20	1/2	1.38	0.62	0.12	1.14	5986005
25	3/4	1.54	0.69	0.16	1.38	5986007
32	1	1.69	0.79	0.16	1.69	5986010
40	1-1/4	1.85	0.83	0.20	2.05	5986012
50	1-1/2	2.09	0.94	0.20	2.52	5986015
63	2	2.36	1.10	0.16	3.19	5986020
75	2-1/2	2.76	1.28	0.20	3.62	5986025
90	3	3.07	1.44	0.20	4.45	5986030
110	4	3.54	1.67	0.20	5.24	5986040

Socket fusion requires SDR 21 PVDF pipe in all dimensions.

Super Proline®  
Chemical Grade PVDF

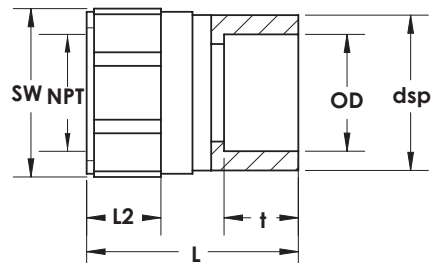


**MALE ADAPTER (BUTT)\***

Size		Dimensions						SDR 21 / PN 16 / 230 PSI	
mm	inch	s	L	L1	L2	SW	NPT	Weight (lbs)	Part Number
20	1/2	0.075	1.811	0.787	0.709	0.866	1/2	0.02	5947005
25	3/4	0.075	2.008	0.906	0.787	1.063	3/4	0.04	5947007
32	1	0.094	2.402	1.142	0.906	1.417	1	0.09	5947010
40	1-1/4	0.094	2.598	1.142	1.063	1.811	1-1/4	0.15	5947012
50	1-1/2	0.118	2.913	1.299	1.142	2.165	1-1/2	0.26	5947015
63	2	0.118	3.150	1.378	1.220	2.559	2	0.29	5947020
90	3+	0.110	4.00	1.63	1.00	3.54	3	0.60	5947030
110	4+	0.134	4.00	1.73	2.00	4.50	4	1.00	5947040

\*Requires use of socket coupling on page 106.  
 + 3" and 4" machined and rated to 5 psi

Butt fusion end. For socket welding use socket coupling.  
 Rated to 5psi and machined

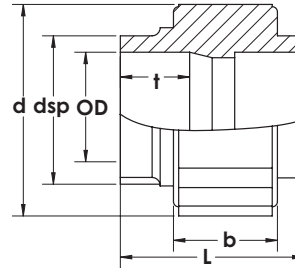


**FEMALE ADAPTER**

Size		Dimensions						SDR 21 / PN 16 / 230 PSI	
mm	inch	L	L2	SW	NPT	dsp	t	Weight (lbs)	Part Number
20	1/2	1.772	0.630	1.260	1/2	1.161	0.571	0.09	5983005
25	3/4	1.988	0.709	1.614	3/4	1.378	0.630	0.13	5983007
32	1	2.244	0.787	1.811	1	1.673	0.713	0.20	5983010
40	1-1/4	2.461	0.945	2.165	1-1/4	2.047	0.807	0.33	5983012
50	1-1/2	2.677	1.024	2.756	1-1/2	2.520	0.925	0.53	5983015
63	2	2.913	1.181	3.346	2	3.150	1.079	0.88	5983020
90	3+	0.110	4.00	1.63	1.00	4.50	3	0.80	5949030
110	4+	0.134	4.00	1.73	1.00	5.50	4	1.40	5949040

+ 3" and 4" are butt spigot, machined and rated to 5 psi

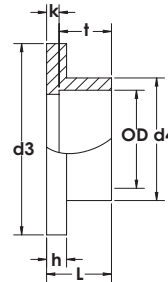
Socket fusion requires SDR 21 PVDF pipe in all dimensions.



**UNION - FKM**

Size		Dimensions					SDR 21 / PN 16 / 230 PSI		
mm	inch	L	d	b	dsp	t	Weight (lbs)	Part Number	
20	1/2	1.772	1.850	0.945	1.075	0.630	0.13	5993005	
25	3/4	1.929	2.244	1.024	1.406	0.709	0.22	5993007	
32	1	2.087	2.520	1.181	1.626	0.787	0.31	5993010	
40	1-1/4	2.323	3.071	1.220	2.079	0.866	0.49	5993012	
50	1-1/2	2.638	3.504	1.378	2.307	0.965	0.62	5993015	
63	2	3.110	4.291	1.535	2.898	1.142	1.10	5993020	

EPDM O-rings are available upon request and require additional lead time.

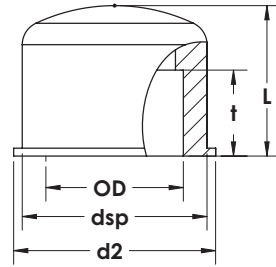


**STUB END\* (FLANGE ADAPTER)**

Size		Dimensions						SDR 21 / PN 16 / 230 PSI	
mm	inch	L	d4	d3	h	t	k	Weight (lbs)	Part Number
20	1/2	0.827	1.064	1.773	0.236	0.630	0.197	0.04	5990005
25	3/4	0.867	1.300	2.285	0.276	0.670	0.197	0.09	5990007
32	1	0.985	1.615	2.679	0.276	0.788	0.197	0.11	5990010
40	1-1/4	1.024	1.970	3.073	0.315	0.827	0.197	0.18	5990012
50	1-1/2	1.182	2.403	3.467	0.315	0.985	0.197	0.22	5990015
63	2	1.300	2.994	4.019	0.355	1.103	0.197	0.33	5990020
75	2-1/2	1.458	3.546	4.807	0.394	1.261	0.197	0.51	5990025
90	3	1.615	4.295	4.925	0.433	1.418	0.197	0.68	5990030
110	4	1.891	5.161	5.910	0.473	1.694	0.197	1.01	5990040

\*Requires backing ring. See page 282-284.

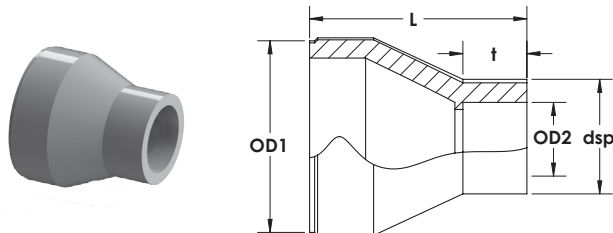
Socket fusion requires SDR 21 PVDF pipe in all dimensions.



## END CAP

Size		Dimensions				SDR 21 / PN 16 / 230 PSI	
mm	inch	L	d2	dsp	t	Weight (lbs)	Part Number
20	1/2	1.063	1.260	1.142	0.610	0.04	5981005
25	3/4	1.181	1.457	1.378	0.689	0.07	5981007
32	1	1.378	1.811	1.693	0.768	0.11	5981010
40	1-1/4	1.535	2.244	2.047	0.886	0.15	5981012
50	1-1/2	1.929	2.717	2.520	0.945	0.29	5981015
63	2	2.323	3.386	3.189	1.102	0.53	5981020
75	2-1/2	2.598	3.819	3.622	1.319	0.66	5981025
90	3	3.031	4.685	4.449	1.437	1.17	5981030
110	4	3.622	5.472	5.236	1.673	1.79	5981040

Socket fusion requires SDR 21 PVDF pipe in all dimensions.

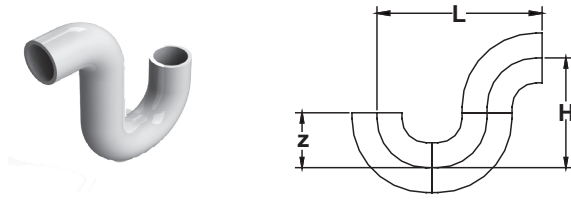


## CONCENTRIC REDUCER

Size		Dimensions			SDR 21 / PN 16 / 230 PSI	
mm	inch	L	dsp	t	Weight (lbs)	Part Number
25 x 20	3/4 x 1/2	1.575	1.142	0.618	0.04	5995101
32 x 20	1 x 1/2	1.732	1.142	0.610	0.07	5995130
32 x 25	1 x 3/4	1.732	1.378	0.693	0.09	5995131
40 x 20	1-1/4 x 1/2	1.929	1.142	0.642	0.07	5995166
40 x 25	1-1/4 x 3/4	1.929	1.378	0.693	0.11	5995167
40 x 32	1-1/4 x 1	1.929	1.693	0.795	0.09	5995168
50 x 20	1-1/2 x 1/2	2.165	1.142	0.638	0.13	5995208
50 x 25	1-1/2 x 3/4	2.165	1.378	0.709	0.15	5995210
50 x 32	1-1/2 x 1	2.165	1.693	0.669	0.18	5995211
50 x 40	1-1/2 x 1-1/4	2.165	2.047	0.984	0.20	5995212
63 x 25	2 x 3/4	2.520	1.378	0.724	0.24	5995248
63 x 32	2 x 1	2.520	1.693	0.799	0.26	5995249
63 x 40	2 x 1-1/4	2.520	2.047	0.843	0.29	5995250
63 x 50	2 x 1-1/2	2.520	2.520	0.969	0.33	5995251
75 x 63	2-1/2 x 2	2.520	3.189	1.126	0.46	5995292
90 x 63	3 x 2	3.425	3.189	1.142	0.77	5995338
90 x 75	3 x 2-1/2	3.425	3.622	1.299	0.79	5995339
110 x 63	4 x 2	3.465	3.189	1.154	1.06	5995420
110 x 90	4 x 3	3.425	4.449	1.398	1.28	5995422

Large dimension is spigot end. Small dimension is socket.

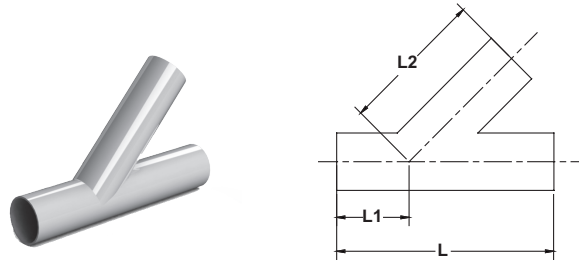
Socket fusion requires SDR 21 PVDF pipe in all dimensions.



### P-TRAP

Size		Dimensions			SDR 33 / MOP 5 PSI
mm	inch	L	Z	H	Part Number
50	1-1/2*	8.75	4-1/4	8.125	6207015
63	2*	10.75	5	9.75	6207020
90	3	14.5	6-1/2	12.875	6207030
110	4	17.125	7-3/8	14.5	6207040
160	6	24	10	19.75	6207060
200	8	28.75	12-1/4	24.25	6207080

\*SDR21 / MOP 5 PSI

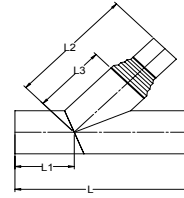


### LATERAL

Size		Dimensions			SDR 21 / MOP 5 PSI		SDR 33 / MOP 5 PSI
mm	inch	L1	L2	L	Part Number	List Price	Part Number
50	1-1/2	6	12	18	-	-	6209015
63	2	6	12	18	-	-	6209020
90	3	6	12	18	6209031	707.00	6209030
110	4	6	12	18	6209041	912.00	6209040
160	6	8	16	24	6209061	1906.00	6209060
200	8	10	20	30	-	-	6209080
250	10	12	24	36	-	-	6209100
315	12	14	28	42	-	-	6209120

\*Consult factory for pressure rating of fabricated fittings.

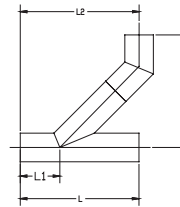
Super Proline®  
 Chemical Grade PVDF



**FABRICATED REDUCING LATERALS**

Size		Dimensions				SDR 33 / MOP 5 PSI
mm	inch	L	L1	L2	L3	Part Number
90 x 63	3 x 2*	18	6	18	12	6219338
110 x 63	4 x 2*	18	6	18	12	6219420
110 x 90	4 x 3	18	6	18	12	6219422
160 x 63	6 x 2*	24	8	24	16	6219530
160 x 90	6 x 3	24	8	24	16	6219531
160 x 110	6 x 4	24	8	24	16	6219532
200 x 63	8 x 2*	30	10	30	20	6219581
200 x 90	8 x 3	30	10	30	20	6219582
200 x 110	8 x 4	30	10	30	20	6219583
200 x 160	8 x 6	30	10	30	20	6219585
250 x 63	10 x 2*	36	12	36	24	6219624
250 x 90	10 x 3	36	12	36	24	6219625
250 x 110	10 x 4	36	12	36	24	6219626
250 x 160	10 x 6	36	12	36	24	6219627
250 x 200	10 x 8	36	12	36	24	6219628
315 x 160	12 x 6	42	14	42	28	6219659
315 x 200	12 x 8	42	14	42	28	6219660

\*SDR21 / MOP5PSI.



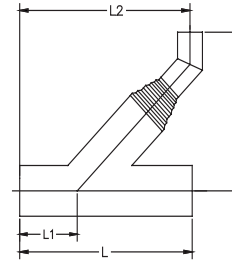
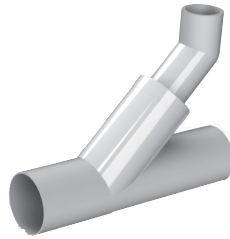
**LATERAL WITH 1/8 BEND**

Size		Dimensions				SDR 33 / MOP 5 PSI
mm	inch	L	L1	L2	H	Part Number
50	1-1/2	18	6	16.25	13	6211015
63	2	18	6	16.5	13.5	6211020
90	3	18	6	17.25	15.25	6211030
110	4	18	6	18	17	6211040
160	6	24	8	23.5	21.5	6211060
200	8	30	10	28.25	24.25	6211080
250	10	36	12	33	27	6211100
315	12	42	14	39.25	33.25	6211120

\*Consult factory for pressure rating of fabricated fittings.

Super Proline®  
Chemical Grade PVDF





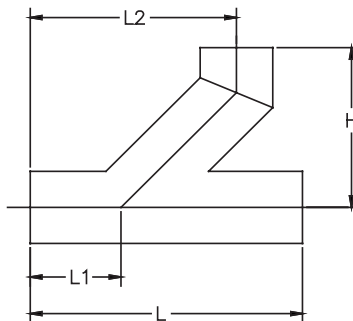
**FABRICATED REDUCING LATERAL WITH 1/8 BEND**

Size		Dimensions				SDR 33 / MOP 5 PSI
mm	inch	L	L1	L2	H	Part Number
90 x 63	3 x 2*	18	6	16	16.5	6221338
110 x 63	4 x 2*	18	6	17	17.5	6221420
110 x 90	4 x 3	18	6	17	19	6221422
160 x 63	6 x 2*	24	8	16	18.5	6221530
160 x 90	6 x 3	24	8	22	22.5	6221531
160 x 110	6 x 4	24	8	22	23	6221532
200 x 63	8 x 2*	30	10	20	23.25	6221581
200 x 90	8 x 3	30	10	20	23.76	6221582
200 x 110	8 x 4	30	10	27	23.5	6221583
200 x 160	8 x 6	30	10	27	29.5	6221585
250 x 63	10 x 2*	36	12	24	27.25	6221624
250 x 90	10 x 3	36	12	24	27.5	6221625
250 x 110	10 x 4	36	12	33	28.5	6221626
250 x 160	10 x 6	36	12	30	29.5	6221627
250 x 200	10 x 8	36	12	28	29	6221628
315 x 160	12 x 6	42	14	37	34.5	6221659
315 x 200	12 x 8	42	14	35	34	6221660

\*SDR21 / MOP5PSI.

\*Consult factory for pressure rating of fabricated fittings.

Super Proline®  
Chemical Grade PVDF



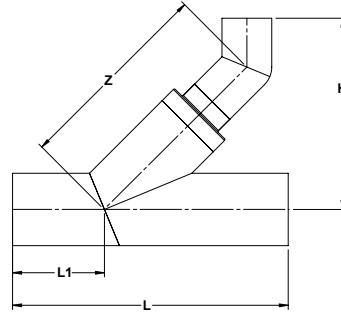
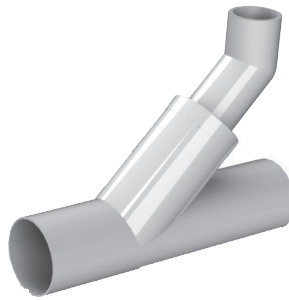
**FABRICATED SANITARY TEE**

Size		Dimensions				SDR 33 / MOP 5 PSI
mm	inch	L	L1	L2	H	Part Number
63	2*	18	6	12	9	6213020
90	3	18	6	12	9	6213030
110	4	18	6	12	9	6213040
160	6	24	8	16	12.5	6213060
200	8	30	10	20	15.5	6213080
250	10	36	12	24	18.5	6213100
315	12	42	14	28	21.75	6213120

\*SDR21 / MOP5PSI.

**Super Proline®  
Chemical Grade PVDF**

**\*Consult factory for pressure rating of fabricated fittings.**



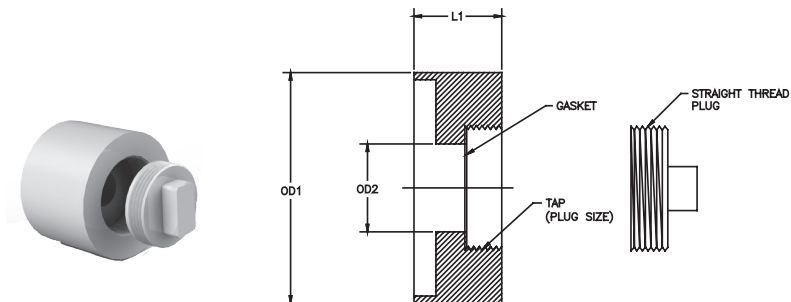
## REDUCING SANITARY TEE

Size		Dimensions				SDR 33 / MOP 5 PSI
mm	inch	L	L1	Z	H	Part Number
90 x 63	3 X 2*	18	6	10.5	10.63	6233338
110 x 63	4 X 2*	18	6	10.5	10.63	6233420
110 x 90	4 X 3	18	6	10.5	11.50	6233422
160 x 63	6 X 2*	24	8	15	13.75	6233530
160 x 90	6 X 3	24	8	15	14.75	6233531
160 x 110	6 X 4	24	8	15	14.88	6233532
200 x 63	8 X 2*	30	10	17	15.13	6233581
200 x 90	8 X 3	30	10	17	16.13	6233582
200 x 110	8 X 4	30	10	17	17.00	6233583
200 x 160	8 X 6	30	10	17	20.25	6233585
250 x 63	10 X 2*	36	12	20	17.25	6233624
250 x 90	10 X 3	36	12	20	18.25	6233625
250 x 110	10 X 4	36	12	21	19.13	6233626
250 x 160	10 X 6	36	12	21	21.00	6233627
250 x 200	10 X 8	36	12	24	23.63	6233628
315 x 160	12 X 6	42	14	28	26.00	6233659
315 x 200	12 X 8	42	14	29	27.25	6233660

\*SDR21 / MOP5PSI.

\*Consult factory for pressure rating of fabricated fittings.

Super Proline®  
Chemical Grade PVDF



**CLEANOUT WITH PLUG\***

Size		Dimensions				SDR 33 / MOP 5 PSI
mm	inch	OD1	OD2	L1	TAP DEPTH	Part Number
50	1-1/2	1.96	3	0.25	0.5	6243015
63	2	2.48	3	0.5	0.75	6243020
90	3	3.54	3	1	0.93	6243030
110	4	4.33	2.00	3.00	1.12	6243040
160	6	6.30	3.00	3.00	1.26	6243060

\*Machined straight threads, 5psi maximum.

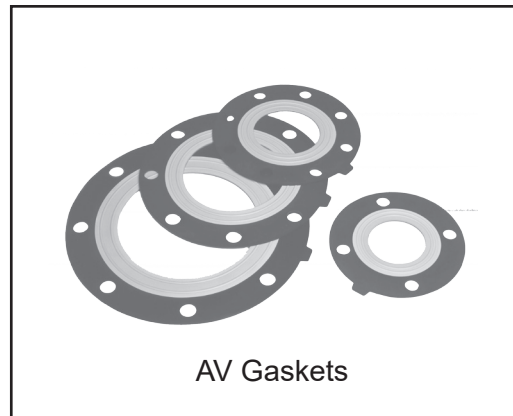
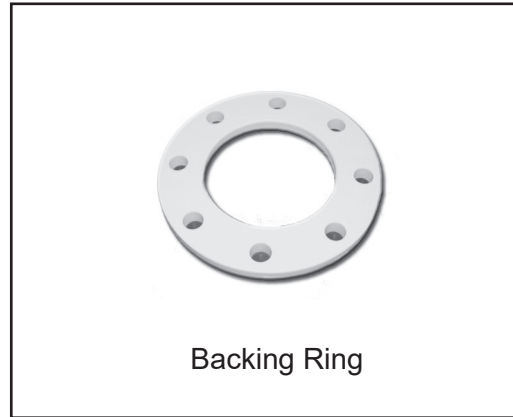
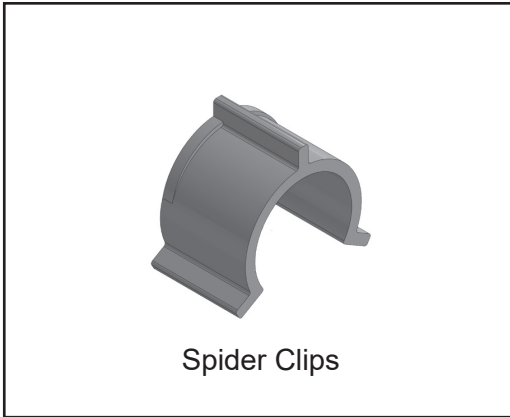
**Super Proline®  
Chemical Grade PVDF**

\*Consult factory for pressure rating of fabricated fittings.

*Page intentionally left blank.*

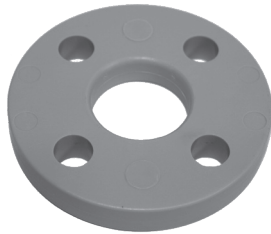
Super Proline®  
Chemical Grade PVDF

# Piping System Accessories



Accessories

**BACKING RING\***

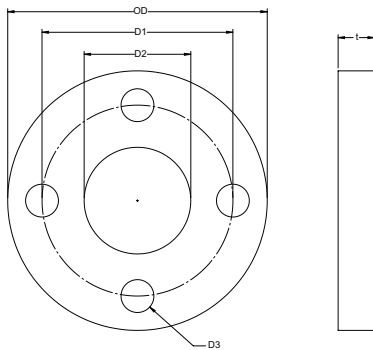


**Backing Ring**

Size		Description	PP - Grey
mm	inch		Part Number
20	1/2	ANSI 150#	5046005
25	3/4	ANSI 150#	5046007
32	1	ANSI 150#	5046010
40	1-1/4	ANSI 150#	5046012
50	1-1/2	ANSI 150#	5046015
63	2	ANSI 150#	5046020
75	2-1/2	ANSI 150#	5046025
90	3	ANSI 150#	5046030
110	4	ANSI 150#	5046040
160	6	ANSI 150#	5046060
200/225	8	ANSI 150#	5046080
250/280	10	ANSI 150#	5046100
315	12	ANSI 150#	5046120

\*DIN bolt pattern PN 10/16 available.

**Accessories**



Size		Dimensions						
mm	inch	OD	D1	D2	D3	t	Weight	# of Bolt Holes
20	1/2	3.740	2.380	1.102	0.630	0.472	0.463	4
25	3/4	4.016	2.750	1.339	0.630	0.472	0.529	4
32	1	4.488	3.120	1.654	0.630	0.630	0.807	4
40	1-1/4	5.118	3.500	2.008	0.630	0.630	1.235	4
50	1-1/2	5.236	3.880	2.441	0.630	0.709	1.193	4
63	2	6.378	4.750	3.071	0.787	0.709	1.788	4
75	2-1/2	7.244	5.500	3.622	0.787	0.709	2.352	4
90	3	7.638	6.000	4.370	0.787	0.709	2.271	4
110	4	9.016	7.500	5.236	0.787	0.709	3.342	8
160	6	11.142	9.500	7.008	0.866	0.945	5.115	8
200/225	8	13.583	11.750	9.291	0.866	0.945	7.474	8
250/280	10	16.220	14.250	11.339	0.984	1.024	13.669	12
315	12	19.173	17.000	13.307	0.984	1.260	28.748	12

225mm (9") and 200mm (8") stub ends use 8" ANSI backing rings.  
Consult factory for backing rings larger than 315mm (12").

## BACKING RING\*

Size		Description	PP - Black*
mm	inch		Part Number
20	1/2	ASNI 150#	5146005
25	3/4	ASNI 150#	5146007
32	1	ASNI 150#	5146010
40	1-1/4	ASNI 150#	5146012
50	1-1/2	ASNI 150#	5146015
63	2	ASNI 150#	5146020
75	2-1/2	ASNI 150#	5146025
90	3	ASNI 150#	5146030
110	4	ASNI 150#	5146040
160	6	ASNI 150#	5146060
200/225	8	ASNI 150#	5146080
250/280	10	ASNI 150#	5146100
315	12	ASNI 150#	5146120



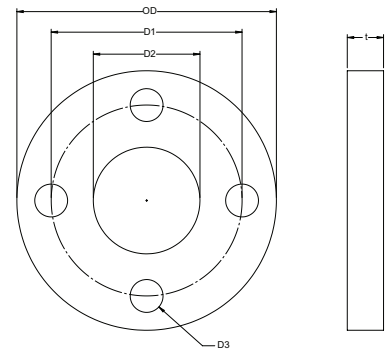
Backing Ring

\*DIN bolt pattern PN 10/16 available.

\*PP black UV resistant.

Accessories

Size		Dimensions						
mm	inch	OD	D1	D2	D3	t	Weight	# of Bolt Holes
20	1/2	3.740	2.380	1.102	0.630	0.472	0.463	4
25	3/4	4.016	2.750	1.339	0.630	0.472	0.529	4
32	1	4.488	3.120	1.654	0.630	0.630	0.807	4
40	1-1/4	5.118	3.500	2.008	0.630	0.630	1.235	4
50	1-1/2	5.236	3.880	2.441	0.630	0.709	1.193	4
63	2	6.378	4.750	3.071	0.787	0.709	1.788	4
75	2-1/2	7.244	5.500	3.622	0.787	0.709	2.352	4
90	3	7.638	6.000	4.370	0.787	0.709	2.271	4
110	4	9.016	7.500	5.236	0.787	0.709	3.342	8
160	6	11.142	9.500	7.008	0.866	0.945	5.115	8
200/225	8	13.583	11.750	9.291	0.866	0.945	7.474	8
250/280	10	16.220	14.250	11.339	0.984	1.024	13.669	12
315	12	19.173	17.000	13.307	0.984	1.260	28.748	12



225mm (9") and 200mm (8") stub ends use 8" ANSI backing rings.  
Consult factory for backing rings larger than 315mm (12").



**BACKING RING\***

Size		Description	Ductile Iron+	316 SS++
mm	inch		Part Number	Part Number
20	1/2	ANSI 150#	-	504501005
25	3/4	ANSI 150#	5048007	504501007
32	1	ANSI 150#	5048010	504501010
40	1-1/4	ANSI 150#	5048012	-
50	1-1/2	ANSI 150#	5048015	504501015
63	2	ANSI 150#	5048020	504501020
75	2-1/2	ANSI 150#	5048025	-
90	3	ANSI 150#	5048030	504501030
110	4	ANSI 150#	5048040	504501040
160	6	ANSI 150#	5048060	504501060
200/225	8	ANSI 150#	5048080	504501080
250/280	10	ANSI 150#	5048100	504501100
315	12	ANSI 150#	5048120	504501120
355	14	ANSI 150#	5048140	-
400	16	ANSI 150#	5048160	-
450	18	ANSI 150#	5048180	-
500	20	ANSI 150#	5048200	-
550	22	ANSI 150#	5048220	-
630	24	ANSI 150#	5048240	-

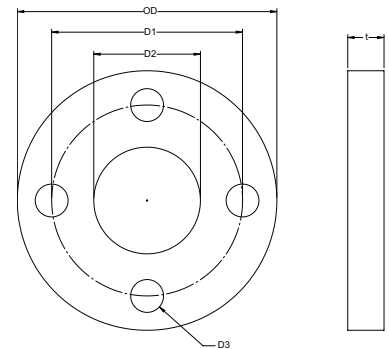


**Backing Ring**

\*DIN bolt pattern PN 10/16 available.  
 +DI backing rings not recommended for socket stub ends.  
 ++ Contact A/A for current Stainless Steel pricing.

**Accessories**

Size		Dimensions							# of Bolt Holes
mm	inch	OD	D1	D2	D3	t	Weight		
20	1/2	3.740	2.380	1.102	0.630	0.472	0.463	4	
25	3/4	4.016	2.750	1.339	0.630	0.472	0.529	4	
32	1	4.488	3.120	1.654	0.630	0.630	0.807	4	
40	1-1/4	5.118	3.500	2.008	0.630	0.630	1.235	4	
50	1-1/2	5.236	3.880	2.441	0.630	0.709	1.193	4	
63	2	6.378	4.750	3.071	0.787	0.709	1.788	4	
75	2-1/2	7.244	5.500	3.622	0.787	0.709	2.352	4	
90	3	7.638	6.000	4.370	0.787	0.709	2.271	4	
110	4	9.016	7.500	5.236	0.787	0.709	3.342	8	
160	6	11.142	9.500	7.008	0.866	0.945	5.115	8	
200/225	8	13.583	11.750	9.291	0.866	0.945	7.474	8	
250/280	10	16.220	14.250	11.339	0.984	1.024	13.669	12	
315	12	19.173	17.000	13.307	0.984	1.260	22.500	12	
355	14	21.000	19.750	14.800	1.130	1.380	30.000	12	
400	16	23.500	21.250	16.930	1.130	1.440	35.000	16	
450	18	25.000	22.750	18.500	1.250	1.560	39.000	16	
500	20	27.500	25.000	21.250	1.250	1.690	56.000	20	
630	24	32.000	29.500	25.000	1.380	2.130	74.000	20	



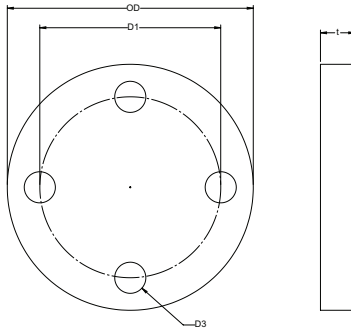
### PP BLIND FLANGE



**PP  
Blind Flange**

Size		Description	230 PSI Part Number
mm	inch		
20	1/2	Steel Insert, ANSI 150#	5042005
25	3/4	Steel Insert, ANSI 150#	5042007
32	1	Steel Insert, ANSI 150#	5042010
40	1-1/4	Steel Insert, ANSI 150#	5042012
50	1-1/2	Steel Insert, ANSI 150#	5042015
63	2	Steel Insert, ANSI 150#	5042020
75	2-1/2	Steel Insert, ANSI 150#	5042025
90	3	Steel Insert, ANSI 150#	5042030
110	4	Steel Insert, ANSI 150#	5042040
160	6	Steel Insert, ANSI 150#	5042060
200	8	Steel Insert, ANSI 150#	5042080
250	10	Steel Insert, ANSI 150#	5042100
315	12	Steel Insert, ANSI 150#	5042120

**Accessories**



Size		OD	D1	D3	t	Weight (lbs)	# of Bolt Holes
mm	inch						
20	1/2	3.740	2.380	0.630	0.472	0.569	4
25	3/4	4.016	2.750	0.630	0.472	0.750	4
32	1	4.488	3.120	0.630	0.630	1.118	4
40	1-1/4	5.118	3.500	0.630	0.630	1.614	4
50	1-1/2	5.236	3.880	0.630	0.709	1.775	4
63	2	6.378	4.750	0.787	0.709	2.690	4
75	2-1/2	7.244	5.500	0.787	0.709	3.400	4
90	3	7.638	6.000	0.787	0.709	4.057	4
110	4	9.016	7.500	0.787	0.709	6.504	8
160	6	11.142	9.500	0.866	0.945	11.244	8
200	8	13.583	11.750	0.866	0.945	17.461	8
250	10	16.220	14.250	0.984	1.024	33.400	12
315	12	19.173	17.000	0.984	1.260	63.493	12

### PVDF BLIND FLANGE LINER

Size		Description	Not Pressure Rated Part Number
mm	inch		
20	1/2	ANSI 150#	5427005
25	3/4	ANSI 150#	5427007
32	1	ANSI 150#	5427010
40	1-1/4	ANSI 150#	5427012
50	1-1/2	ANSI 150#	5427015
63	2	ANSI 150#	5427020
75	2-1/2	ANSI 150#	5427025
90	3	ANSI 150#	5427030
110	4	ANSI 150#	5427040
160	6	ANSI 150#	5427060
200	8	ANSI 150#	5427080

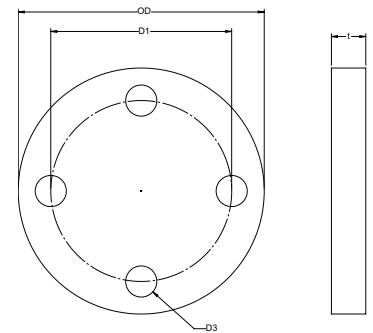


**PVDF  
Blind Flange**

Machined item non-returnable / non-cancelable.  
Not for pressure applications unless utilized with pressure rated blind flange see above.

Accessories

Size		OD	D1	D3	t	Weight (lbs)	# of Bolt Holes
mm	inch						
20	1/2	3.740	2.380	0.630	0.669	0.258	4
25	3/4	4.016	2.750	0.630	0.669	0.340	4
32	1	4.488	3.120	0.630	0.669	0.507	4
40	1-1/4	5.118	3.500	0.630	0.669	0.732	4
50	1-1/2	5.236	3.880	0.630	0.669	0.805	4
63	2	6.378	4.750	0.787	0.669	1.220	4
75	2-1/2	7.244	5.500	0.787	0.669	1.542	4
90	3	7.638	6.000	0.787	0.669	1.840	4
110	4	9.016	7.500	0.787	0.669	2.950	8
160	6	11.142	9.500	0.866	0.669	5.100	8
200	8	13.583	11.750	0.866	0.669	7.920	8
250	10	16.220	14.250	0.984	0.669	15.150	12
315	12	19.173	17.000	0.984	0.669	28.800	12



### AV Gaskets

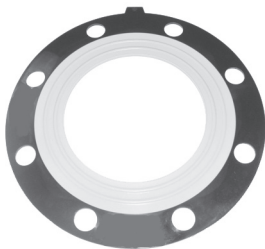
Please consult current Valve List Price book to ensure the list prices on all AV gaskets are current. Current Valve Price book supersedes this pricing.



**EPDM**  
Durometer 65-70



**PVDF**  
Durometer 83-85



**PTFE**  
Durometer 95-100

#### CT GASKETS -PTFE\*



**PTFE**

\* Non stock-special order

#### AV Gaskets - EPDM

Size	Description	Part Number
1/2"	EPDM	3113005
3/4"	EPDM	3113007
1"	EPDM	3113010
1-1/4"	EPDM	3113012
1-1/2"	EPDM	3113015
2"	EPDM	3113020
2-1/2"	EPDM	3113025
3"	EPDM	3113030
4"	EPDM	3113040
6"	EPDM	3113060
8"	EPDM	3113080
10"	EPDM	3113100
12"	EPDM	3113120

#### AV Gaskets - PVDF

Size	Description	Part Number
1/2"	PVDF	3115005
3/4"	PVDF	3115007
1"	PVDF	3115010
1-1/2"	PVDF	3115015
2"	PVDF	3115020
3"	PVDF	3115030
4"	PVDF	3115040
6"	PVDF	3115060
8"	PVDF	3115080
10"	PVDF	3115100

#### AV Gaskets - PTFE

Size	Description	Part Number
1/2"	PTFE	3114005
3/4"	PTFE	3114007
1"	PTFE	3114010
1-1/4"	PTFE	3114012
1-1/2"	PTFE	3114015
2"	PTFE	3114020
2-1/2"	PTFE	3114025
3"	PTFE	3114030
4"	PTFE	3114040
6"	PTFE	3114060
8"	PTFE	3114080
10"	PTFE	3114100
12"	PTFE	3114120

General grade, available cleaned and bagged.

Size		Description	Part Number
mm	inch		
355	14	ANSI 150#	3116140
400	16	ANSI 150#	3116160
450	18	ANSI 150#	3116180
500	20	ANSI 150#	3116200
630	24	ANSI 150#	3116240

Accessories

**SPIDER CLIP - PP**

Size		PRO150 X 150	PRO150 X 45	PRO45 X 45
mm	inch	Part Number	Part Number	Part Number
32 x 90	1 X 3	5244134	-	-
63 x 110	2 X 4	5244420	5346420	-
90 x 160	3 X 6	5244531	5346531	-
110 x 200	4 X 8	5244583	5346583	5346583
160 x 250	6 X 10	5244627	5346627	5346627
200 x 315	8 X 12	5244660	5346660	5346660
250 x 355	10 X 14	5244702	5346702	5346702
315 x 400	12 X 16	5244690	5346690	5346690
355 x 450	14 X 18	5244710	5346710	5346710
400 x 500	16 X 20	-	5346726	5346726



**PP  
Spider Clip**

**SPIDER CLIP - PVDF**

Size		PRO150 X 150	PRO150 X 45	PRO45 X 45
mm	inch	Part Number	Part Number	Part Number
32 x 90	1 X 3	5244134	-	-
63 x 110	2 X 4	5244420	5346420	-
90 x 160	3 X 6	5244531	5346531	-
110 x 200	4 X 8	5244583	5346583	5346583
160 x 250	6 X 10	5244627	5346627	5346627
200 x 315	8 X 12	5244660	5346660	5346660
250 x 355	10 X 14	5244702	5346702	5346702
315 x 400	12 X 16	5244690	5346690	5346690
355 x 450	14 X 18	5244710	5346710	5346710
400 x 500	16 X 20	-	5346726	5346726

**SPIDER CLIP - PE (FOR CHEM PROLINE®)**

Sizes		SDR	Part Number
mm	inches		
32 x 90	1 x 3	SDR 11 x 11	4784134
63 x 110	2 x 4	SDR 11 X 33	4784420
90 x 169	3 x 6	SDR 11 x 33	4784531
110 x 200	4 x 8	SDR 11 x 33	4784583
200 x 250	6 x 10	SDR 11 x 33	4784627
200 x 315	8 x 12	SDR 11 x 33	4784660
250 x 355	10 x 14	SDR 11 x 33	4784702
315 x 400	12 x 16	SDR 11 x 33	4784690



**PE  
Spider Clip**

**SUPPORT DISC - PP**

**PP  
Support  
Disc**

Size		PRO150 X 150	PRO150 X 45	PRO45 X 45
mm	inch	Part Number	Part Number	Part Number
32 x 90	1 X 3	5242134	-	-
63 x 110	2 X 4	5242420	5344420	-
90 x 160	3 X 6	5242531	5344531	-
110 x 200	4 X 8	5242583	5344583	5344583
160 x 250	6 X 10	5242627	5344627	5344627
200 x 315	8 X 12	5242660	5344660	5344660
250 x 355	10 X 14	5242702	5344702	5344702
315 x 400	12 X 16	-	5344690	5344690
355 x 450	14 X 18	-	5344710	5344710
400 x 500	16 X 20	-	5344726	5344726

Required if full pipe length is cut. Must be installed before welding pipe.

**SUPPORT DISC - PVDF**

**PVDF  
Support  
Disc**

Size		PVDF X PVDF
mm	inch	Part Number
32 x 90	1 X 3	6238134
63 x 110	2 X 4	6238420
90 x 160	3 X 6	6238531
110 x 200	4 X 8	6238583
160 x 250	6 X 10	6238627
200 x 315	8 X 12	6236660

Required if full pipe length is cut. Must be installed before welding pipe.

**SUPPORT DISC - PE (FOR CHEM PROLINE®)**

**PE  
Support  
Disc**

Sizes		SDR	Part Number
mm	inches		
32 x 90	1 x 3	SDR 11 x 11	4744134
63 x 110	2 x 4	SDR 11 X 33	4744420
90 x 169	3 x 6	SDR 11 x 33	4744531
110 x 200	4 x 8	SDR 11 x 33	4744583
200 x 250	6 x 10	SDR 11 x 33	4744627
200 x 315	8 x 12	SDR 11 x 33	4744660
250 x 355	10 x 14	SDR 11 x 33	4744702
315 x 400	12 x 16	SDR 11 x 33	4744690

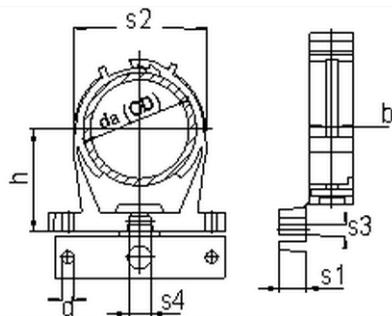
Required if full pipe length is cut. Must be installed before welding pipe.



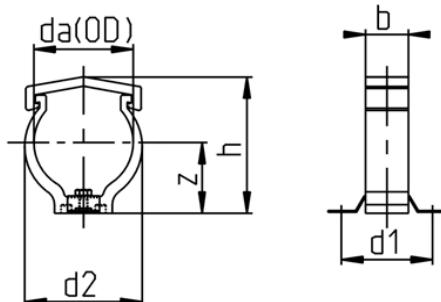
**PIPE CLIPS**

Size		Description	Part Number
mm	inch		
20	1/2	Snap Clips	5349005
25	3/4	Snap Clips	5349007
32	1	Snap Clips	5349010
40	1-1/4	Snap Clips	5349012
50	1-1/2	Snap Clips	5349015
63	2	2 Piece Clip	5246020
75	2-1/2	2 Piece Clip	5246025
90	3	2 Piece Clip	5246030
110	4	2 Piece Clip	5246040
160	6	2 Piece Clip	5246060
200	8	2 Piece Clip	5246080
225	9	2 Piece Clip	5246090

Accessories



Size		h	s1	s2	s3/d	s4	b
mm	inch						
20	1/2	1.06	0.24	1.14	0.26	0.35	0.55
25	3/4	1.18	0.40	1.34	0.26	0.35	0.63
32	1	1.24	0.45	1.54	0.26	0.35	0.63
40	1-1/4	1.46	0.55	1.97	0.26	0.35	0.69
50	1-1/2	1.61	0.59	2.20	0.26	0.35	0.79



Size		z	d1	d2	h	b
mm	inch					
63	2	2.04	2.91	3.07	3.74	1.16
75	2-1/2	2.40	3.23	3.70	4.41	1.57
90	3	2.63	3.22	4.25	5.03	1.57
110	4	3.14	3.22	5.39	5.98	1.57
160	6	4.56	4.33	7.24	8.54	2.36
200	8	5.82	4.33	9.37	10.50	2.36
225	9	6.22	4.33	10.28	11.46	2.36



**PIPE CLIPS**

Size		Description	Part Number
mm	inch		
250	10	Snap Clips	5350100
280	11	Snap Clips	5350110
315	12	Snap Clips	5350120
355	14	Snap Clips	5350140
400	16	Snap Clips	5350160

10-16" pipe clips are special order.

Accessories

Size		B	D	E	d3	Z1	Z2
mm	inch						
250	10	7.88	0.98	1.57	0.51	7.19	5.61
280	11	7.88	0.98	1.57	0.51	7.78	6.12
315	12	8.86	0.98	1.57	0.51	8.6	6.75
355	14	10.12	1.18	1.97	0.67	10.87	8.27
400	16	11.34	1.18	1.97	0.67	11.85	9.06

