

Ultra Proline® ECTFE (Halar®) Single Wall Piping System



Ultra Proline®

Natural Ethylene Chlorotrifluoroethylene (ECTFE)

Chemical Piping System

REV:IN0512HA

Materials: ASTM D3275 Class 2 resin.

Raw resins are certified by NSF to NSF/ANSI 61-G.

Pipe Production: Produced according to ISO 10931 (for PVDF).

Fitting Production: Produced according to ISO 10931 (for PVDF).

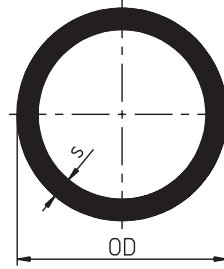
Pressure Rating: Components shall be pressure rated in accordance with ASTM D2837 and DIN 8077 for hydrostatic design basis. Components shall be manufactured to standard dimensional ratio (SDR) 21.

Based on continuous service life of 50 years at 68° F (20° C).

SDR21: 150psi (PN10)

PN = Nominal pressure in bar.

Joining: Available methods shall be according to the schedule below
DVS 2207-15 Contact Butt: 1/2" (20mm) through max product size

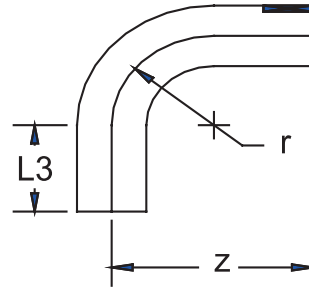


PIPE* 5 meter (16.4') lengths

Size		Dimensions		Weight (lbs/lth)	SDR 21 / PN 10 / 150 PSI
mm	inch	OD	s		Part Number
20	1/2	0.79	0.07	2.20	5501005
25	3/4	0.99	0.07	2.76	5501007
32	1	1.26	0.09	4.52	5501010
50	1-1/2	1.97	0.12	8.82	5501015
63	2	2.48	0.12	11.35	5501020
90	3	3.55	0.17	23.15	5501030
110	4	4.33	0.21	34.61	5501040

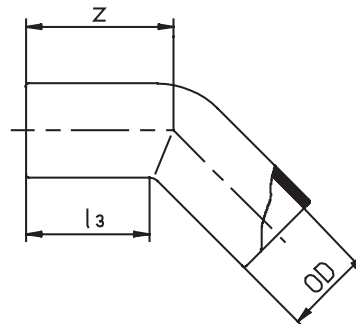
*Pipe is sold in 5 meter lengths only (16.4').





EXTENDED LEG 90 DEGREE ELBOW

Size		Dimensions			SDR 21 / PN 10 / 150 PSI
mm	inch	z	r	L3	Part Number
20	1/2	2.01	0.79	1.30	5503005
25	3/4	2.20	0.99	1.30	5503007
32	1	2.48	1.26	1.30	5503010
50	1-1/2	3.31	1.97	1.42	5503015
63	2	3.82	2.48	1.38	5503020
90	3	4.84	3.55	1.34	5503030
110	4	5.59	4.33	1.34	5503040

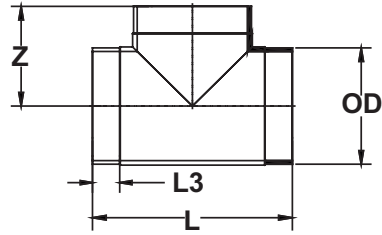


EXTENDED LEG 45 DEGREE ELBOW

Size		Dimensions			SDR 21 / PN 10 / 150 PSI
mm	inch	OD	z	L3	Part Number
20	1/2	0.79	1.69	1.54	5516005
25	3/4	0.99	1.77	1.58	5516007
32	1	1.26	2.05	1.81	5516010
50	1-1/2	1.97	2.60	2.21	5516015
63	2	2.48	2.96	2.44	5516020
90	3*	3.54	5	4.10	5516030
110	4*	4.33	5	4.10	5516040

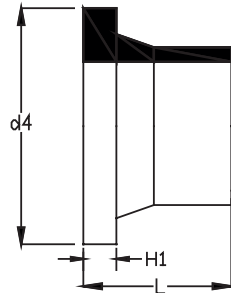
*Fabricated fitting from pipe, MOP / 45PSI.





TEE

Size		Dimensions				SDR 21 / PN 10 / 150 PSI
mm	inch	OD	z	L	L3	Part Number
20	1/2	0.79	1.38	2.76	0.59	5507005
25	3/4	0.99	1.58	3.15	0.59	5507007
32	1	1.26	1.77	3.51	0.67	5507010
50	1-1/2	1.97	2.36	4.73	0.91	5507015
63	2	2.48	2.96	5.87	1.10	5507020
90	3	3.55	3.62	7.13	1.30	5507030
110	4	4.33	4.33	8.79	1.30	5507040



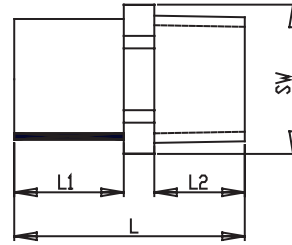
STUB END* - DIN

Size		Dimensions				SDR 21 / PN 10 / 150 PSI
mm	inch	OD	L	d4	H1	Part Number
20	1/2	0.79	1.97	1.77	0.24	5514005
25	3/4	0.99	1.97	2.29	0.26	5514007
32	1	1.26	1.97	2.68	0.28	5514010
50	1-1/2	1.97	1.97	3.47	0.35	5514015
63	2	2.48	1.97	4.02	0.39	5514020
90	3	3.55	3.15	5.44	0.67	5514030
110	4	4.33	3.15	6.23	0.47	5514040

DIN size is compatible with backing rings.

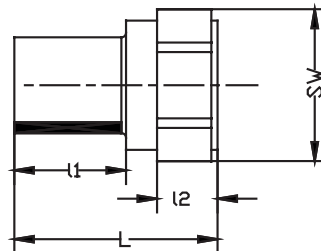
* Requires backing ring. See page 282-284.

Ultra Proline®
Halar®



MALE ADAPTER

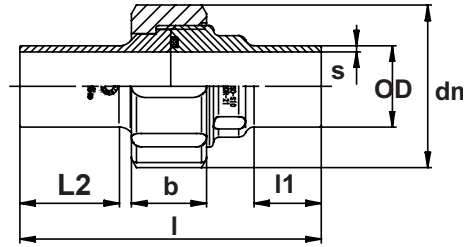
Size		Dimensions				SDR 21 / PN 10 / 150 PSI
mm	inch	OD	L	L1	L2	Part Number
20	1/2	.79	2.35	1.22	0.71	5528005
25	3/4	.99	2.35	1.29	0.79	5528007
32	1	1.26	2.42	1.29	0.94	5528010
50	1-1/2	1.97	2.94	1.60	1.02	5528015
63	2	2.48	3.14	1.74	1.10	5528020



FEMALE ADAPTER

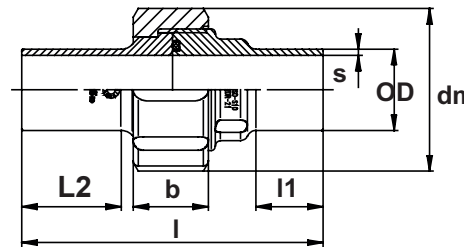
Size		Dimensions				SDR 21 / PN 10 / 150 PSI
mm	inch	OD	L	L1	L2	Part Number
20	1/2	.79	2.00	.88	0.63	5529005
25	3/4	.99	2.00	1.00	0.67	5529007
32	1	1.26	2.62	1.18	0.79	5529010
50	1-1/2	1.97	2.69	1.30	0.94	5529015
63	2	2.48	2.75	1.36	0.94	5529020





UNION - FKM

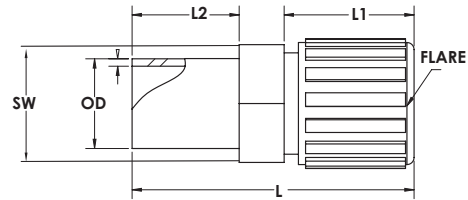
Size		Dimensions							SDR 21 / PN 10 / 150 PSI	
mm	inch	OD	s	l	l1	L2	dn	b	Part Number	
20	1/2	0.79	0.07	4.22	0.95	1.40	1.85	0.95	5533005	
25	3/4	0.99	0.07	4.41	0.95	1.44	2.25	1.02	5533007	
32	1	1.26	0.09	4.69	0.99	1.55	2.52	1.18	5533010	



UNION - LITHARGE FLOURINE FOR (>97%) SULFURIC ACID USE

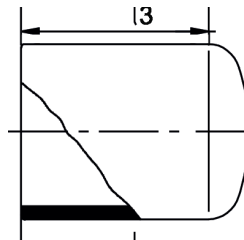
Size		Dimensions							SDR 21 / PN 10 / 150 PSI	
mm	inch	OD	s	L	L1	L2	dn	b	Part Number	
20	1/2	0.79	0.07	4.22	0.95	1.40	1.85	0.95	5534005	
25	3/4	0.99	0.07	4.41	0.95	1.44	2.25	1.02	5534007	
32	1	1.26	0.09	4.69	0.99	1.55	2.52	1.18	5534010	

Ultra Proline®
Halar®



FLARE ADAPTER

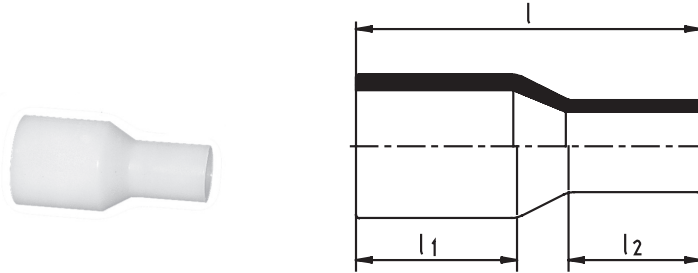
Size			Dimensions				SDR 21 / PN 10 / 150 PSI
mm	inch	Flare	L	L1	L2	SW	Part Number
20 x 6	1/2 x 1/4	1/4	3.19	1.14	1.5	0.945	5506096
20 x 16	1/2 x 3/8	3/8	3.31	1.26	1.5	0.945	5506098
20 x 20	1/2 x 1/2	1/2	3.40	1.26	1.5	1.063	5506005
25 x 25	3/4 x 3/4	3/4	3.56	1.46	1.5	1.181	5506007
25 x 32	3/4 x 1	1	3.59	1.46	1.5	1.614	5506132



END CAP

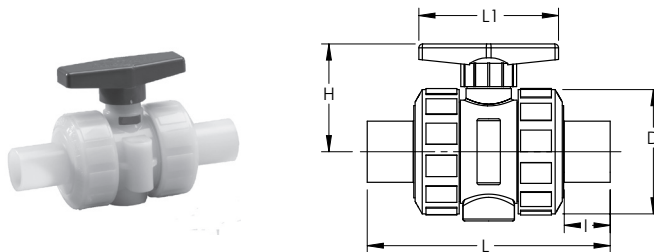
Size		Dimensions	SDR 21 / PN 10 / 150 PSI
mm	inch	l	Part Number
20	1/2	1.77	5543005
25	3/4	1.93	5543007
32	1	2.21	5543010
50	1-1/2	2.88	5543015
63	2	3.39	5543020





EXTENDED LEG CONCENTRIC REDUCER

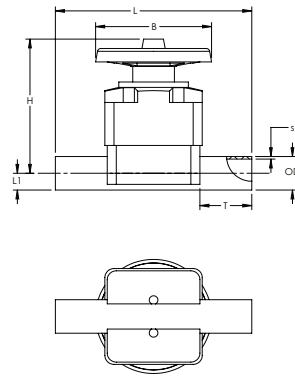
Size		Dimensions			SDR 21 / PN 10 / 150 PSI
mm	inch	l	l1	l2	Part Number
25 x 20	3/4 x 1/2	3.35	1.54	1.58	5510101
32 x 25	1 x 3/4	3.74	1.73	1.58	5510131
50 x 25	1-1/2 x 3/4	4.65	2.17	1.73	5510210
50 x 32	1-1/2 x 1	4.65	2.32	1.81	5510211
63 x 32	2 x 1	5.36	2.52	1.93	5510249
63 x 50	2 x 1-1/2	5.91	2.60	2.32	5510251
110 x 63	4 x 2	7.09	3.27	2.48	5510420
110 x 90	4 x 3	7.09	3.27	2.96	5510422



BALL VALVE - "F-99"

Size		Dimensions					SDR 21 / PN 10 / 150 PSI
mm	inch	L	I	D	H	L1	Part Number
20	1/2	5.81	1.45	2.00	1.87	3.13	1441005
25	3/4	6.39	1.45	2.50	2.63	3.75	1441007
32	1	6.71	1.45	2.84	2.63	3.75	1441010

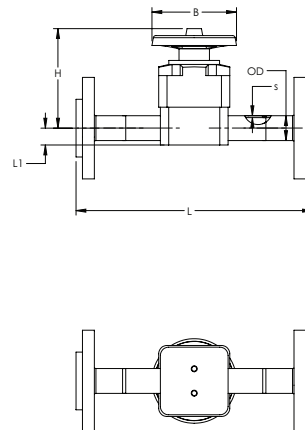
For 2", 3", and 4" valves in sulfuric acid applications, please consider the Type-55 butterfly valve. See valve list price book 54A.



T-342 MANUAL DIAPHRAGM VALVE

* Air actuated options available. Consult factory for details.

Size		da(OD)	Dimensions								SDR 21 / PN 10 / 150 PSI	
mm	inch		s	L	L1	h	b	t	kv l/min	Cv gpm	Part Number	
20	1/2	0.787	0.07	5.24	0.65	3.94	3.35	1.42	72	19.0	1440005	
25	3/4	0.984	0.07	5.67	0.67	3.94	3.35	1.42	93	24.6	1440007	
32	1	1.260	0.09	6.07	0.81	4.22	3.35	1.42	221	58.3	1440010	
50	1-1/2	1.969	0.12	7.64	1.26	5.67	5.32	1.81	500	132.0	1440015	
63	2	2.480	0.12	8.83	1.52	6.70	5.32	2.13	875	231.0	1440020	

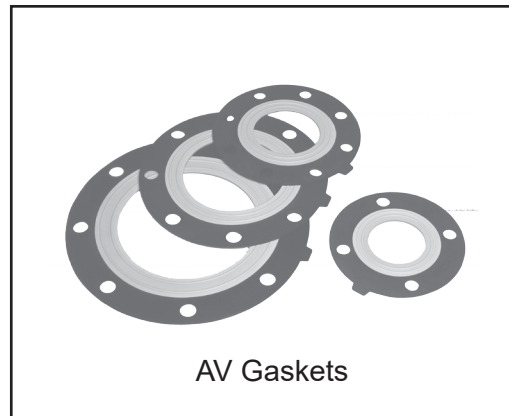
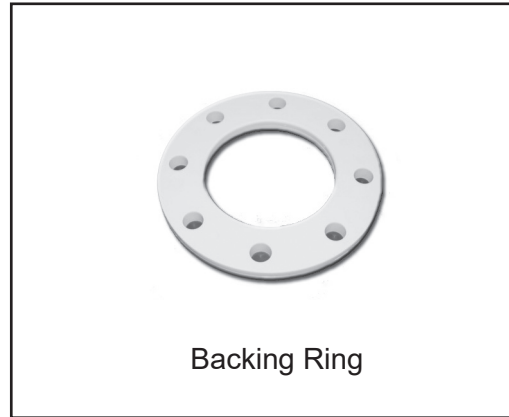
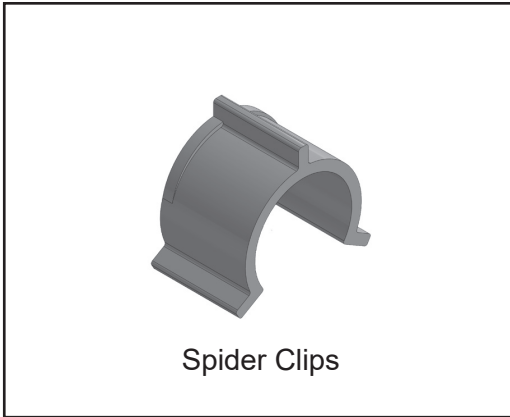


T-342 MANUAL DIAPHRAGM VALVE - Flanged

Size		da(OD)	Dimensions								SDR 21 / PN 10 / 150 PSI	
mm	inch		s	L	L1	h	b	t	kv l/min	Cv gpm	Part Number	
20	1/2	0.787	0.07	8-7/8	0.65	3.94	3.35	1.42	72	19.0	1448005	
25	3/4	0.984	0.07	9-3/8	0.67	3.94	3.35	1.42	93	24.6	1448007	
32	1	1.260	0.09	9-3/8	0.81	4.22	3.35	1.42	221	58.3	1448010	
50	1-1/2	1.969	0.12	11-3/8	1.26	5.67	5.32	1.81	500	132.0	1448015	
63	2	2.480	0.12	12-1/2	1.52	6.70	5.32	2.13	875	231.0	1448020	



Piping System Accessories



Accessories

BACKING RING*

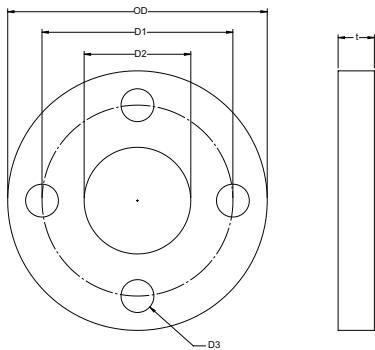


Backing Ring

Size		Description	PP - Grey
mm	inch		Part Number
20	1/2	ANSI 150#	5046005
25	3/4	ANSI 150#	5046007
32	1	ANSI 150#	5046010
40	1-1/4	ANSI 150#	5046012
50	1-1/2	ANSI 150#	5046015
63	2	ANSI 150#	5046020
75	2-1/2	ANSI 150#	5046025
90	3	ANSI 150#	5046030
110	4	ANSI 150#	5046040
160	6	ANSI 150#	5046060
200/225	8	ANSI 150#	5046080
250/280	10	ANSI 150#	5046100
315	12	ANSI 150#	5046120

*DIN bolt pattern PN 10/16 available.

Accessories



Size		Dimensions						
mm	inch	OD	D1	D2	D3	t	Weight	# of Bolt Holes
20	1/2	3.740	2.380	1.102	0.630	0.472	0.463	4
25	3/4	4.016	2.750	1.339	0.630	0.472	0.529	4
32	1	4.488	3.120	1.654	0.630	0.630	0.807	4
40	1-1/4	5.118	3.500	2.008	0.630	0.630	1.235	4
50	1-1/2	5.236	3.880	2.441	0.630	0.709	1.193	4
63	2	6.378	4.750	3.071	0.787	0.709	1.788	4
75	2-1/2	7.244	5.500	3.622	0.787	0.709	2.352	4
90	3	7.638	6.000	4.370	0.787	0.709	2.271	4
110	4	9.016	7.500	5.236	0.787	0.709	3.342	8
160	6	11.142	9.500	7.008	0.866	0.945	5.115	8
200/225	8	13.583	11.750	9.291	0.866	0.945	7.474	8
250/280	10	16.220	14.250	11.339	0.984	1.024	13.669	12
315	12	19.173	17.000	13.307	0.984	1.260	28.748	12

225mm (9") and 200mm (8") stub ends use 8" ANSI backing rings.
Consult factory for backing rings larger than 315mm (12").

BACKING RING*

Size		Description	PP - Black*
mm	inch		Part Number
20	1/2	ASNI 150#	5146005
25	3/4	ASNI 150#	5146007
32	1	ASNI 150#	5146010
40	1-1/4	ASNI 150#	5146012
50	1-1/2	ASNI 150#	5146015
63	2	ASNI 150#	5146020
75	2-1/2	ASNI 150#	5146025
90	3	ASNI 150#	5146030
110	4	ASNI 150#	5146040
160	6	ASNI 150#	5146060
200/225	8	ASNI 150#	5146080
250/280	10	ASNI 150#	5146100
315	12	ASNI 150#	5146120



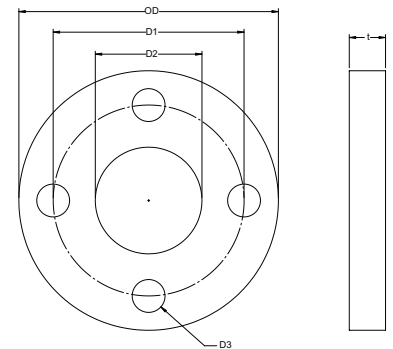
Backing Ring

*DIN bolt pattern PN 10/16 available.

*PP black UV resistant.

Accessories

Size		Dimensions						
mm	inch	OD	D1	D2	D3	t	Weight	# of Bolt Holes
20	1/2	3.740	2.380	1.102	0.630	0.472	0.463	4
25	3/4	4.016	2.750	1.339	0.630	0.472	0.529	4
32	1	4.488	3.120	1.654	0.630	0.630	0.807	4
40	1-1/4	5.118	3.500	2.008	0.630	0.630	1.235	4
50	1-1/2	5.236	3.880	2.441	0.630	0.709	1.193	4
63	2	6.378	4.750	3.071	0.787	0.709	1.788	4
75	2-1/2	7.244	5.500	3.622	0.787	0.709	2.352	4
90	3	7.638	6.000	4.370	0.787	0.709	2.271	4
110	4	9.016	7.500	5.236	0.787	0.709	3.342	8
160	6	11.142	9.500	7.008	0.866	0.945	5.115	8
200/225	8	13.583	11.750	9.291	0.866	0.945	7.474	8
250/280	10	16.220	14.250	11.339	0.984	1.024	13.669	12
315	12	19.173	17.000	13.307	0.984	1.260	28.748	12



225mm (9") and 200mm (8") stub ends use 8" ANSI backing rings.
Consult factory for backing rings larger than 315mm (12").

BACKING RING*

Size		Description	Ductile Iron+	316 SS++
mm	inch		Part Number	Part Number
20	1/2	ANSI 150#	-	504501005
25	3/4	ANSI 150#	5048007	504501007
32	1	ANSI 150#	5048010	504501010
40	1-1/4	ANSI 150#	5048012	-
50	1-1/2	ANSI 150#	5048015	504501015
63	2	ANSI 150#	5048020	504501020
75	2-1/2	ANSI 150#	5048025	-
90	3	ANSI 150#	5048030	504501030
110	4	ANSI 150#	5048040	504501040
160	6	ANSI 150#	5048060	504501060
200/225	8	ANSI 150#	5048080	504501080
250/280	10	ANSI 150#	5048100	504501100
315	12	ANSI 150#	5048120	504501120
355	14	ANSI 150#	5048140	-
400	16	ANSI 150#	5048160	-
450	18	ANSI 150#	5048180	-
500	20	ANSI 150#	5048200	-
550	22	ANSI 150#	5048220	-
630	24	ANSI 150#	5048240	-

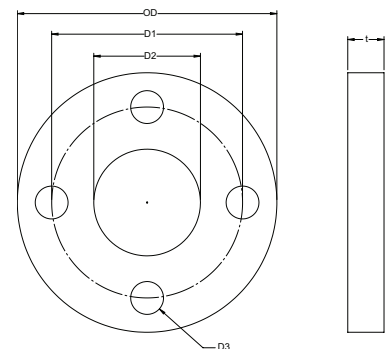


Backing Ring

*DIN bolt pattern PN 10/16 available.
 +DI backing rings not recommended for socket stub ends.
 ++ Contact A/A for current Stainless Steel pricing.

Accessories

Size		Dimensions							# of Bolt Holes
mm	inch	OD	D1	D2	D3	t	Weight		
20	1/2	3.740	2.380	1.102	0.630	0.472	0.463	4	
25	3/4	4.016	2.750	1.339	0.630	0.472	0.529	4	
32	1	4.488	3.120	1.654	0.630	0.630	0.807	4	
40	1-1/4	5.118	3.500	2.008	0.630	0.630	1.235	4	
50	1-1/2	5.236	3.880	2.441	0.630	0.709	1.193	4	
63	2	6.378	4.750	3.071	0.787	0.709	1.788	4	
75	2-1/2	7.244	5.500	3.622	0.787	0.709	2.352	4	
90	3	7.638	6.000	4.370	0.787	0.709	2.271	4	
110	4	9.016	7.500	5.236	0.787	0.709	3.342	8	
160	6	11.142	9.500	7.008	0.866	0.945	5.115	8	
200/225	8	13.583	11.750	9.291	0.866	0.945	7.474	8	
250/280	10	16.220	14.250	11.339	0.984	1.024	13.669	12	
315	12	19.173	17.000	13.307	0.984	1.260	22.500	12	
355	14	21.000	19.750	14.800	1.130	1.380	30.000	12	
400	16	23.500	21.250	16.930	1.130	1.440	35.000	16	
450	18	25.000	22.750	18.500	1.250	1.560	39.000	16	
500	20	27.500	25.000	21.250	1.250	1.690	56.000	20	
630	24	32.000	29.500	25.000	1.380	2.130	74.000	20	



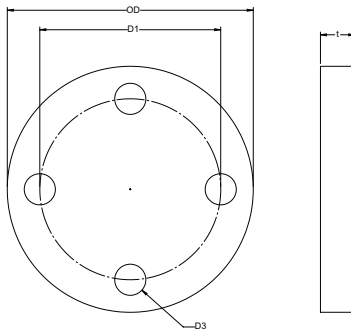
PP BLIND FLANGE



**PP
Blind Flange**

Size		Description	230 PSI Part Number
mm	inch		
20	1/2	Steel Insert, ANSI 150#	5042005
25	3/4	Steel Insert, ANSI 150#	5042007
32	1	Steel Insert, ANSI 150#	5042010
40	1-1/4	Steel Insert, ANSI 150#	5042012
50	1-1/2	Steel Insert, ANSI 150#	5042015
63	2	Steel Insert, ANSI 150#	5042020
75	2-1/2	Steel Insert, ANSI 150#	5042025
90	3	Steel Insert, ANSI 150#	5042030
110	4	Steel Insert, ANSI 150#	5042040
160	6	Steel Insert, ANSI 150#	5042060
200	8	Steel Insert, ANSI 150#	5042080
250	10	Steel Insert, ANSI 150#	5042100
315	12	Steel Insert, ANSI 150#	5042120

Accessories



Size		OD	D1	D3	t	Weight (lbs)	# of Bolt Holes
mm	inch						
20	1/2	3.740	2.380	0.630	0.472	0.569	4
25	3/4	4.016	2.750	0.630	0.472	0.750	4
32	1	4.488	3.120	0.630	0.630	1.118	4
40	1-1/4	5.118	3.500	0.630	0.630	1.614	4
50	1-1/2	5.236	3.880	0.630	0.709	1.775	4
63	2	6.378	4.750	0.787	0.709	2.690	4
75	2-1/2	7.244	5.500	0.787	0.709	3.400	4
90	3	7.638	6.000	0.787	0.709	4.057	4
110	4	9.016	7.500	0.787	0.709	6.504	8
160	6	11.142	9.500	0.866	0.945	11.244	8
200	8	13.583	11.750	0.866	0.945	17.461	8
250	10	16.220	14.250	0.984	1.024	33.400	12
315	12	19.173	17.000	0.984	1.260	63.493	12

PVDF BLIND FLANGE LINER

Size		Description	Not Pressure Rated Part Number
mm	inch		
20	1/2	ANSI 150#	5427005
25	3/4	ANSI 150#	5427007
32	1	ANSI 150#	5427010
40	1-1/4	ANSI 150#	5427012
50	1-1/2	ANSI 150#	5427015
63	2	ANSI 150#	5427020
75	2-1/2	ANSI 150#	5427025
90	3	ANSI 150#	5427030
110	4	ANSI 150#	5427040
160	6	ANSI 150#	5427060
200	8	ANSI 150#	5427080

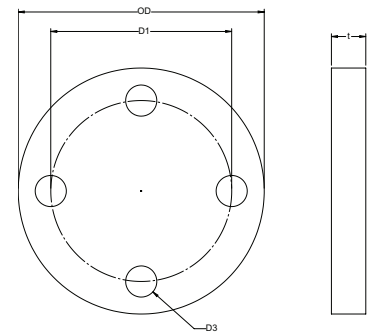


**PVDF
Blind Flange**

Machined item non-returnable / non-cancelable.
Not for pressure applications unless utilized with pressure rated blind flange see above.

Accessories

Size		OD	D1	D3	t	Weight (lbs)	# of Bolt Holes
mm	inch						
20	1/2	3.740	2.380	0.630	0.669	0.258	4
25	3/4	4.016	2.750	0.630	0.669	0.340	4
32	1	4.488	3.120	0.630	0.669	0.507	4
40	1-1/4	5.118	3.500	0.630	0.669	0.732	4
50	1-1/2	5.236	3.880	0.630	0.669	0.805	4
63	2	6.378	4.750	0.787	0.669	1.220	4
75	2-1/2	7.244	5.500	0.787	0.669	1.542	4
90	3	7.638	6.000	0.787	0.669	1.840	4
110	4	9.016	7.500	0.787	0.669	2.950	8
160	6	11.142	9.500	0.866	0.669	5.100	8
200	8	13.583	11.750	0.866	0.669	7.920	8
250	10	16.220	14.250	0.984	0.669	15.150	12
315	12	19.173	17.000	0.984	0.669	28.800	12



AV Gaskets

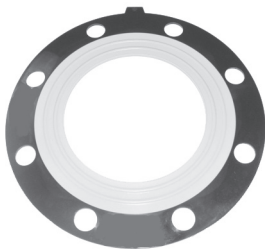
Please consult current Valve List Price book to ensure the list prices on all AV gaskets are current. Current Valve Price book supersedes this pricing.



EPDM
Durometer 65-70



PVDF
Durometer 83-85



PTFE
Durometer 95-100

CT GASKETS -PTFE*



PTFE

* Non stock-special order

AV Gaskets - EPDM

Size	Description	Part Number
1/2"	EPDM	3113005
3/4"	EPDM	3113007
1"	EPDM	3113010
1-1/4"	EPDM	3113012
1-1/2"	EPDM	3113015
2"	EPDM	3113020
2-1/2"	EPDM	3113025
3"	EPDM	3113030
4"	EPDM	3113040
6"	EPDM	3113060
8"	EPDM	3113080
10"	EPDM	3113100
12"	EPDM	3113120

AV Gaskets - PVDF

Size	Description	Part Number
1/2"	PVDF	3115005
3/4"	PVDF	3115007
1"	PVDF	3115010
1-1/2"	PVDF	3115015
2"	PVDF	3115020
3"	PVDF	3115030
4"	PVDF	3115040
6"	PVDF	3115060
8"	PVDF	3115080
10"	PVDF	3115100

AV Gaskets - PTFE

Size	Description	Part Number
1/2"	PTFE	3114005
3/4"	PTFE	3114007
1"	PTFE	3114010
1-1/4"	PTFE	3114012
1-1/2"	PTFE	3114015
2"	PTFE	3114020
2-1/2"	PTFE	3114025
3"	PTFE	3114030
4"	PTFE	3114040
6"	PTFE	3114060
8"	PTFE	3114080
10"	PTFE	3114100
12"	PTFE	3114120

General grade, available cleaned and bagged.

Size		Description	Part Number
mm	inch		
355	14	ANSI 150#	3116140
400	16	ANSI 150#	3116160
450	18	ANSI 150#	3116180
500	20	ANSI 150#	3116200
630	24	ANSI 150#	3116240

Accessories

SPIDER CLIP - PP

Size		PRO150 X 150	PRO150 X 45	PRO45 X 45
mm	inch	Part Number	Part Number	Part Number
32 x 90	1 X 3	5244134	-	-
63 x 110	2 X 4	5244420	5346420	-
90 x 160	3 X 6	5244531	5346531	-
110 x 200	4 X 8	5244583	5346583	5346583
160 x 250	6 X 10	5244627	5346627	5346627
200 x 315	8 X 12	5244660	5346660	5346660
250 x 355	10 X 14	5244702	5346702	5346702
315 x 400	12 X 16	5244690	5346690	5346690
355 x 450	14 X 18	5244710	5346710	5346710
400 x 500	16 X 20	-	5346726	5346726



**PP
Spider Clip**

SPIDER CLIP - PVDF

Size		PRO150 X 150	PRO150 X 45	PRO45 X 45
mm	inch	Part Number	Part Number	Part Number
32 x 90	1 X 3	5244134	-	-
63 x 110	2 X 4	5244420	5346420	-
90 x 160	3 X 6	5244531	5346531	-
110 x 200	4 X 8	5244583	5346583	5346583
160 x 250	6 X 10	5244627	5346627	5346627
200 x 315	8 X 12	5244660	5346660	5346660
250 x 355	10 X 14	5244702	5346702	5346702
315 x 400	12 X 16	5244690	5346690	5346690
355 x 450	14 X 18	5244710	5346710	5346710
400 x 500	16 X 20	-	5346726	5346726

SPIDER CLIP - PE (FOR CHEM PROLINE®)

Sizes		SDR	Part Number
mm	inches		
32 x 90	1 x 3	SDR 11 x 11	4784134
63 x 110	2 x 4	SDR 11 X 33	4784420
90 x 169	3 x 6	SDR 11 x 33	4784531
110 x 200	4 x 8	SDR 11 x 33	4784583
200 x 250	6 x 10	SDR 11 x 33	4784627
200 x 315	8 x 12	SDR 11 x 33	4784660
250 x 355	10 x 14	SDR 11 x 33	4784702
315 x 400	12 x 16	SDR 11 x 33	4784690



**PE
Spider Clip**

SUPPORT DISC - PP

**PP
Support
Disc**

Size		PRO150 X 150	PRO150 X 45	PRO45 X 45
mm	inch	Part Number	Part Number	Part Number
32 x 90	1 X 3	5242134	-	-
63 x 110	2 X 4	5242420	5344420	-
90 x 160	3 X 6	5242531	5344531	-
110 x 200	4 X 8	5242583	5344583	5344583
160 x 250	6 X 10	5242627	5344627	5344627
200 x 315	8 X 12	5242660	5344660	5344660
250 x 355	10 X 14	5242702	5344702	5344702
315 x 400	12 X 16	-	5344690	5344690
355 x 450	14 X 18	-	5344710	5344710
400 x 500	16 X 20	-	5344726	5344726

Required if full pipe length is cut. Must be installed before welding pipe.

SUPPORT DISC - PVDF

**PVDF
Support
Disc**

Size		PVDF X PVDF
mm	inch	Part Number
32 x 90	1 X 3	6238134
63 x 110	2 X 4	6238420
90 x 160	3 X 6	6238531
110 x 200	4 X 8	6238583
160 x 250	6 X 10	6238627
200 x 315	8 X 12	6236660

Required if full pipe length is cut. Must be installed before welding pipe.

SUPPORT DISC - PE (FOR CHEM PROLINE®)

**PE
Support
Disc**

Sizes		SDR	Part Number
mm	inches		
32 x 90	1 x 3	SDR 11 x 11	4744134
63 x 110	2 x 4	SDR 11 X 33	4744420
90 x 169	3 x 6	SDR 11 x 33	4744531
110 x 200	4 x 8	SDR 11 x 33	4744583
200 x 250	6 x 10	SDR 11 x 33	4744627
200 x 315	8 x 12	SDR 11 x 33	4744660
250 x 355	10 x 14	SDR 11 x 33	4744702
315 x 400	12 x 16	SDR 11 x 33	4744690

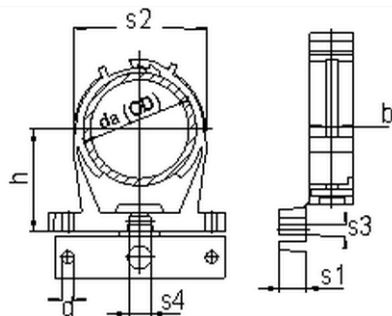
Required if full pipe length is cut. Must be installed before welding pipe.



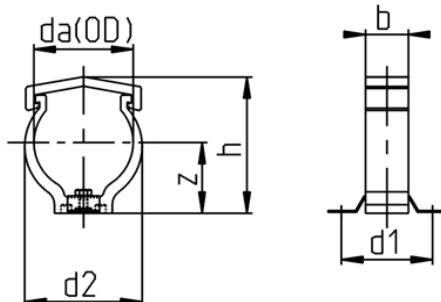
PIPE CLIPS

Size		Description	Part Number
mm	inch		
20	1/2	Snap Clips	5349005
25	3/4	Snap Clips	5349007
32	1	Snap Clips	5349010
40	1-1/4	Snap Clips	5349012
50	1-1/2	Snap Clips	5349015
63	2	2 Piece Clip	5246020
75	2-1/2	2 Piece Clip	5246025
90	3	2 Piece Clip	5246030
110	4	2 Piece Clip	5246040
160	6	2 Piece Clip	5246060
200	8	2 Piece Clip	5246080
225	9	2 Piece Clip	5246090

Accessories



Size		h	s1	s2	s3/d	s4	b
mm	inch						
20	1/2	1.06	0.24	1.14	0.26	0.35	0.55
25	3/4	1.18	0.40	1.34	0.26	0.35	0.63
32	1	1.24	0.45	1.54	0.26	0.35	0.63
40	1-1/4	1.46	0.55	1.97	0.26	0.35	0.69
50	1-1/2	1.61	0.59	2.20	0.26	0.35	0.79



Size		z	d1	d2	h	b
mm	inch					
63	2	2.04	2.91	3.07	3.74	1.16
75	2-1/2	2.40	3.23	3.70	4.41	1.57
90	3	2.63	3.22	4.25	5.03	1.57
110	4	3.14	3.22	5.39	5.98	1.57
160	6	4.56	4.33	7.24	8.54	2.36
200	8	5.82	4.33	9.37	10.50	2.36
225	9	6.22	4.33	10.28	11.46	2.36



PIPE CLIPS

Size		Description	Part Number
mm	inch		
250	10	Snap Clips	5350100
280	11	Snap Clips	5350110
315	12	Snap Clips	5350120
355	14	Snap Clips	5350140
400	16	Snap Clips	5350160

10-16" pipe clips are special order.

Accessories

Size		B	D	E	d3	Z1	Z2
mm	inch						
250	10	7.88	0.98	1.57	0.51	7.19	5.61
280	11	7.88	0.98	1.57	0.51	7.78	6.12
315	12	8.86	0.98	1.57	0.51	8.6	6.75
355	14	10.12	1.18	1.97	0.67	10.87	8.27
400	16	11.34	1.18	1.97	0.67	11.85	9.06

