

**ASAHI/AMERICA**

EFFECTIVE: 07/1/19

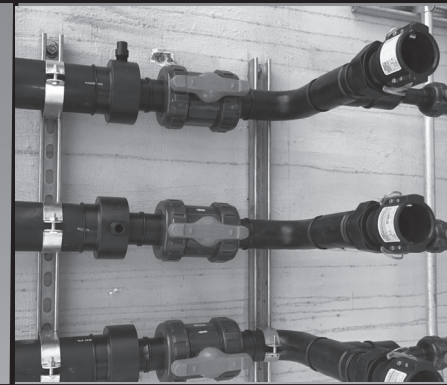
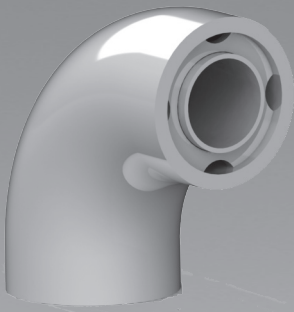
SUBJECT TO CHANGE WITHOUT NOTICE

A \_\_\_\_\_  
B \_\_\_\_\_  
C \_\_\_\_\_  
D \_\_\_\_\_

# Thermoplastic Piping Systems

## Dimensional Data 2019

- Industrial Systems
- Double Containment Systems
- Air Handling Systems
- Specialty Materials
- Accessories
- Welding Equipment



**Another  
Corrosion  
Problem  
Solved.™**

  
**ASAHI/AMERICA®**  
Your Experts in Plastics™

[www.asahi-america.com](http://www.asahi-america.com)

*Page intentionally left blank.*

# Thermoplastic Piping Systems

## Industrial Piping Systems

Chem Proline® -Advanced PE.....	Page 8
Proline® -PP.....	Page 48
Super Proline® -PVDF.....	Page 89
Ultra Proline® -Halar® (ECTFE).....	Page 118

## Double Containment Piping Systems

Duo-Pro® -PP, PVDF, Halar® (ECTFE).....	Page 134
Chem Prolok® -Advanced PE.....	Page 216
Poly-Flo® -Advanced PE, Grey PP-R.....	Page 225

## Air Handling Piping Systems

Air-Pro® -Compressed Air Piping System.....	Page 249
ProVent® -Duct Vent System.....	Page 268

## Specialty Materials and Products

EM Technik 1+ and 1C Compression Fittings.....	Page 276
Specialty Plastics.....	Page 278
Custom Fabrication Capabilities.....	Page 280

## Piping Accessories

Backing Rings.....	Page 282
PP and PVDF Blind Flanges.....	Page 285
AV Gaskets.....	Page 287
Spider Clips.....	Page 288
PP and PVDF Support Discs.....	Page 289
Pipe Clips.....	Page 290

## Welding Equipment

Equipment.....	Page 294
Rental Rates.....	Page 295
Accessories.....	Page 296
Rental Agreements.....	Page 301

## Policies

Freight.....	Page 304
Return.....	Page 305
Warranty.....	Page 307

# Asahi/America Industrial Piping Systems



## Supply Range

- 20 - 25mm (1/2" - 3/4")  
SDR 7 / PN 10 / 150psi
- 32 - 315mm (1" - 12")  
SDR 11 / PN 10 / 150psi



## Proline® (PP)

### Supply Range

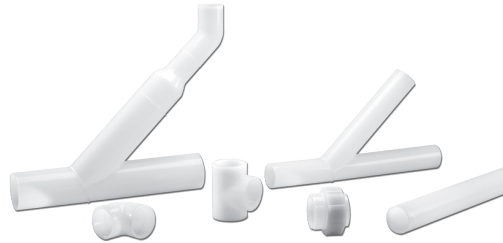
- 20 - 500mm (1/2" - 20")  
SDR 11 / PN 10 / 150psi
- 110 - 1200mm (4" - 48")  
SDR 33 / PN 3 / 45psi



## Super Proline® (PVDF)

### Supply Range

- 20 - 315mm (1/2" - 12")  
SDR 21/ PN 16 / 230psi
- 90 - 400mm (3" - 16")  
SDR 33/ PN 10 / 150psi



## Ultra Proline® (Halar®)

### Supply Range

- 20 - 50mm (1/2" - 4")  
SDR 21/ PN 10 / 150psi



**Industrial Piping Systems****Chem Proline®**

*Product Specification*.....Page 9

*Advanced PE Butt Fusion*

Pipe.....	Page 10
90° Extended Leg Elbow, 45° Elbow.....	Page 11
Extended Leg Butt Tee, Molded Tee.....	Page 12
Reducing Tee.....	Page 13
Male Adapter, Female Adapter.....	Page 14
Extended Leg End Cap.....	Page 15
Union, Transition Union.....	Page 16
Stub End, Chamfered Stub End.....	Page 17
Extended Leg Concentric Reducer.....	Page 18
Eccentric Reducer.....	Page 19
Machined Flush Reducer.....	Page 20
Restraint Fitting.....	Page 21

*Advanced PE Socket Fusion*

Pipe.....	Page 22
90° Elbow, 45° Elbow.....	Page 23
Coupling, Tee.....	Page 24
Reducing Tee, Concentric Reducer .....	Page 25
Stub End, End Cap.....	Page 26
Union, Transition Union.....	Page 27
Male Adapter, Female Adapter.....	Page 28

*Advanced PE Fabricated Fittings*

Fabricated Flush Reducing Tee.....	Page 29
Laterals, Lateral with 1/8 Bend.....	Page 30
P-Trap.....	Page 31

*Advanced PE Valves and Accessories*

Type-21 Ball Valves.....	Page 32
Type-23 Multiport® Valves.....	Page 34
Type-14 Diaphragm Valves.....	Page 36
Ball Check Valves.....	Page 38
Sediment Strainer.....	Page 40
Dymatrix™ AD-16 Diaphragm Valve.....	Page 42
Gauge Guard, Calibration Column.....	Page 43
Gauges.....	Page 44
Frank Series Pressure Regulators.....	Page 46

**Proline®**  
*Product Specification*..... Page 49

*PRO45 / PRO150 IR/Butt Fusion*

Pipe..... Page 50

90° Extended Leg Elbow..... Page 51

90° Elbow..... Page 52

45° Extended Leg Elbow..... Page 53

45° Fabricated Elbow..... Page 54

45° Segmented Elbow..... Page 55

Molded Tee..... Page 56

Extended Leg Molded Tee..... Page 57

Reducing Tee..... Page 58

Fabricated Reducing Tee..... Page 59

Male, Female Adapters..... Page 62

Unions..... Page 63

Extended Leg Concentric Reducer..... Page 64

Eccentric Reducer..... Page 65

Machined Flush Reducers..... Page 66

Stepped Concentric Reducer..... Page 69

Extended Leg End Cap..... Page 70

Stub End..... Page 71

*PRO150 Socket Fusion*

Pipe..... Page 73

90° Elbow, 45° Elbow..... Page 74

Tee, Reducing Tee..... Page 75

Coupling..... Page 76

Male, Female Adapter..... Page 77

Unions..... Page 78

Concentric Reducer..... Page 79

End Cap, Stub End..... Page 80

*PRO45 / PRO150 Fabricated Fittings*

Lateral..... Page 81

Lateral with 1/8 Bend..... Page 82

P-Trap..... Page 83

Fabricated Lateral..... Page 84

Fabricated Lateral with 1/8 Bend..... Page 85

Fabricated Sanitary Tee..... Page 86

Fabricated Reducing Sanitary Tee..... Page 87

Cleanout with Plug..... Page 88

**Super Proline®**  
*Product Specification*..... Page 90

*PVDF IR/Butt Fusion*

Pipe..... Page 91

Extended Leg 90° Elbow, 90° Elbow..... Page 92

Molded 45° Elbow, Extended Leg 45° Elbow..... Page 93

Tee..... Page 94

Reducing Tee..... Page 95

Fabricated Reducing Tee..... Page 96

Extended Leg Concentric Reducer, Stepped Concentric Reducer..... Page 98

Machined Flush Reducers..... Page 99

Male, Female Adapters..... Page 101

Union, Extended Leg End Cap..... Page 102

Stub End..... Page 103

*PVDF Socket Fusion*

Pipe..... Page 104

90° Elbow, 45° Elbow..... Page 105

Tee, Coupling..... Page 106

Male, Female Adapters..... Page 107

Union, Stub End..... Page 108

End Cap..... Page 109

Concentric Reducer..... Page 110

*PVDF Fabricated Fittings*

P-Trap, Lateral..... Page 111

Fabricated Reducing Lateral, Reducing Lateral with 1/8 Bend..... Page 112

Fabricated Reducing Lateral with 1/8 Bend..... Page 113

Fabricated Sanitary Tee..... Page 114

Fabricated Reducing Sanitary Tee..... Page 115

Cleanout with Plug..... Page 116

**Ultra Proline®**  
*Product Specification*..... Page 119

*Halar® IR/Butt Fusion*

Pipe..... Page 120

Extended Leg 90° Elbow, Extended Leg 45° Elbow..... Page 121

Tee, Stub End..... Page 122

Male, Female Adapters..... Page 123

Unions..... Page 124

Flare Adapter, End Cap..... Page 125

Concentric Reducer, Extended Leg Concentric Reducer..... Page 126

*Halar® Valves*

Diaphragm, Ball Valve..... Page 127



Chem Proline®

# Advanced PE Single Wall Piping System





# Chem Proline®

Black Polyethylene (Advanced PE)

Piping System

REV:IN0512PE

**Materials:** ASTM D3350 cell classification PE445584C. Resin shall comply with FDA Code of Federal Regulators (CFR), Title 21, Chapter 1: Section 177.1520 determining suitability for contact with foodstuff.

Pipe and fittings are certified to NSF 61-G.

**Pipe Production:** Dimensions and tolerances shall exceed ISO 15494 requirement.

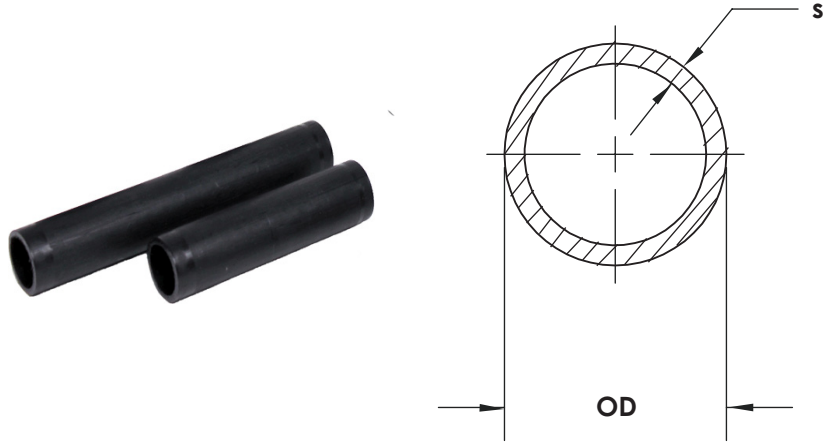
**Fitting Production:** Dimensions and tolerances shall exceed ISO 15494 requirement.

**Pressure Rating:** Components shall be pressure rated in accordance with ASTM D2837 and DIN 8077 for hydrostatic design basis. Components shall be manufactured to standard dimensional ratio (SDR) 7 & 11.

SDR7 and SDR11 are pressure reduced for general chemical use to 150psi (PN10), contact Asahi America for pressure ratings of specific chemicals. (SDR11 for water use is rated 16 bar (232 psi) at 20°C for 50 year expected life)

PN = Nominal pressure in bar.

**Joining:** Available methods shall be according to the schedule below  
 DVS 2208-1 Socket: 1/2" (20mm) through 4" (110mm)  
 DVS 2207-1 Contact Butt: 1" (32mm) through max product size



Chem Proline®

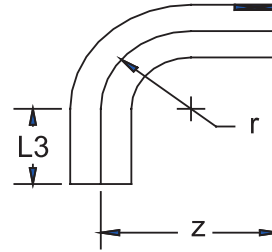
**PIPE** 5 meter (16.4') lengths

Nominal Size	Dimensions			SDR 11 / MOP 150 PSI		
	inch	mm	OD	s	Weight (lbs/lth)	Part Number
1/2		20	0.787	0.079	1.76	581202005
3/4		25	0.984	0.091	2.65	581202007
1		32	1.260	0.118	3.09	581202010
1-1/2		50	1.968	0.181	7.39	581202015
2		63	2.480	0.228	11.68	581202020
3		90	3.543	0.323	23.60	581202030
4		110	4.330	0.394	35.05	581202040
6		160	6.300	0.575	74.30	581202060
8		200	7.870	0.717	115.74	581202080
10		250	9.870	0.894	179.68	581202100
12		315	12.400	1.126	285.50	581202120

Pipe and fitting OD size is metric. Inch OD provided as nominal size only. PN10/150psi pressure rating.

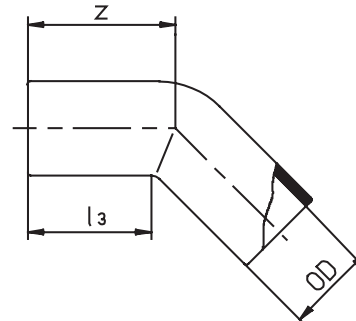
<b>COILED PIPE</b> 50 and 100 meter coils						
Size		Dimensions			SDR7 / MOP 150 PSI	
mm	inch	OD	s	Coil Lth m/ft	Weight Lbs/coil	Part Number
25mm	3/4	0.984	0.138	50/164	17.6	581102007050
25mm	3/4	0.984	0.138	100/328	35.2	581102007100
Size		Dimensions			SDR11 / MOP 150 PSI	
32mm	1	1.26	0.118	50/164	30.9	581202010050
32mm	1	1.26	0.118	100/328	61.8	581202010100

Current stock- check with A/A for availability of other sizes



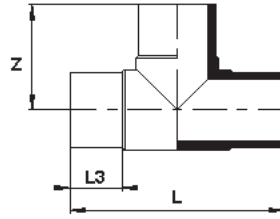
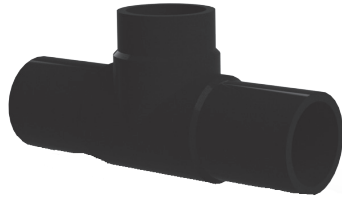
**EXTENDED LEG 90 DEGREE ELBOW**

Size		Dimensions			SDR 11 / PN 10 / 150 PSI	
mm	inch	L3	r	z	Weight (lbs)	Part Number
20	1/2	1.57	0.79	2.36	0.03	581243005
25	3/4	1.67	0.98	2.70	0.05	581243007
32	1	1.85	1.26	3.11	0.09	581243010
50	1-1/2	2.04	1.58	3.64	0.18	581243015
63	2	2.62	2.48	5.10	0.57	581243020
90	3	2.99	3.54	6.61	1.46	581243030
110	4	3.23	4.33	7.56	2.40	581243040
160	6	3.96	6.30	10.30	6.87	581243060
200	8	4.67	7.87	12.54	12.79	581243080
250	10	7.28	10.04	17.32	29.41	581243100
315	12	6.22	12.40	18.70	46.34	581243120



**BUTT 45 DEGREE ELBOW**

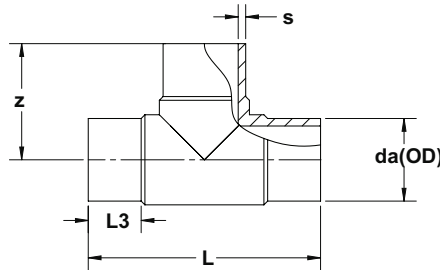
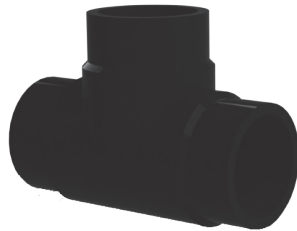
Size		Dimensions		SDR 11 / PN 10 / 150 PSI	
mm	inch	l3	z	Weight (lbs)	Part Number
20	1/2	1.54	1.73	0.02	581244005
25	3/4	1.65	1.89	0.04	581244007
32	1	1.93	2.24	0.07	581244010
50	1-1/2	2.24	2.76	0.22	581244015
63	2	2.52	3.15	0.37	581244020
90	3	3.23	4.09	0.97	581244030
110	4	3.25	4.25	1.52	581244040
160	6	4.59	6.16	4.54	581244060
200	8	4.80	6.77	7.85	581244080
250	10	6.22	8.54	15.34	581244100
315	12	6.97	9.88	27.34	581244120



**EXTENDED LEG BUTT TEE**

Size		Dimensions			SDR 11 / PN 10 / 150 PSI	
mm	inch	z	L	L3	Weight (lbs)	Part Number
20	1/2	2.36	4.29	1.46	0.07	581245005
25	3/4	2.70	4.61	1.57	0.09	581245007
32	1	2.80	5.67	1.77	.13	581245010
50	1-1/2	3.74	7.44	2.24	.42	581245015
63	2	4.53	9.02	2.60	.82	581245020
90	3	5.71	11.42	3.23	2.09	581245030
110	4	6.30	12.60	3.39	3.35	581245040
160	6	8.19	16.06	3.94	8.86	581245060
200	8	9.84	19.68	4.57	17.06	581245080
250	10	12.40	24.80	5.83	31.83	581245100
315	12	14.96	29.92	6.69	61.29	581245120

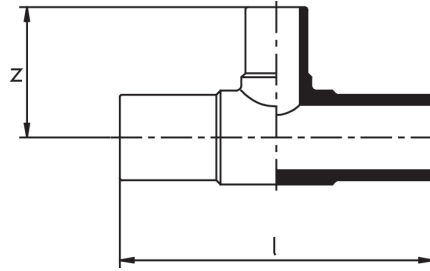
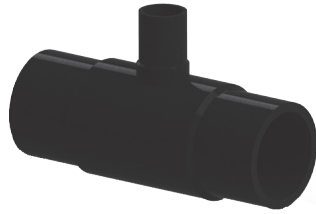
Chem Proline®



**MOLDED TEE\***

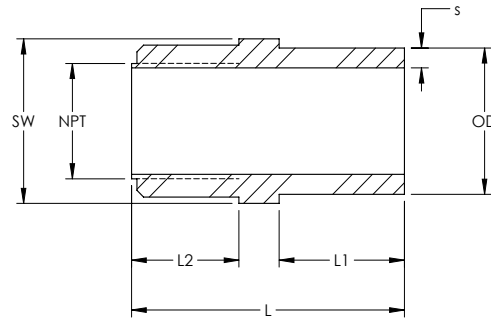
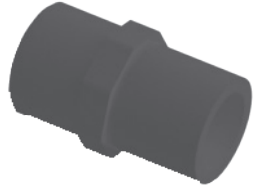
Size		Dimensions			SDR 11 / PN 10 / 150 PSI	
mm	inch	L3	L	Z	Weight (lbs)	Part Number
20	1/2	0.69	2.68	1.34	0.02	581246005
25	3/4	0.81	3.15	1.57	0.04	581246007
32	1	0.81	3.54	1.77	0.09	581246010
50	1-1/2	0.91	4.72	2.36	0.24	581246015
63	2	0.98	5.67	2.83	0.49	581246020
90	3	1.50	8.39	4.13	1.52	581246030
110	4	2.01	9.96	4.80	2.65	581246040
160	6	2.24	13.62	6.81	7.23	581246060
200	8	2.24	15.94	7.97	13.18	581246080
250	10	2.83	18.50	9.25	23.94	581246100
315	12	3.15	21.65	10.83	42.15	581246120

\*Short spigot.

**REDUCING TEE\***

Size		Dimensions		SDR 11 / PN 10 / 150 PSI	
mm	inch	l	z	Weight (lbs)	Part Number
63 x 25	2 x 3/4	6.69	3.35	0.67	581247248
63 x 32	2 x 1	8.50	3.94	0.66	581247249
63 x 50	2 x 1-1/2	8.66	4.06	0.67	581247251
90 x 32	3 x 1*	8.39	3.35	1.23	581247336
90 x 50	3 x 1-1/2*	8.39	3.54	1.23	581247337
90 x 63	3 x 2	10.83	5.39	1.65	581247338
110 x 32	4 x 1*	9.60	3.70	2.00	581247401
110 x 50	4 x 1-1/2*	9.60	4.06	2.09	581247415
110 x 63	4 x 2	12.40	6.26	2.67	581247420
110 x 90	4 x 3	12.40	6.10	2.69	581247422
160 x 63	6 x 2	13.66	6.89	5.67	581247530
160 x 90	6 x 3	13.74	7.17	5.82	581247531
160 x 110	6 x 4	15.75	7.95	7.01	581247532
200 x 63	8 x 2	21.65	8.86	14.79	581247581
200 x 90	8 x 3	22.05	8.94	14.82	581247582
200 x 110	8 x 4	22.01	9.65	15.52	581247583
200 x 160	8 x 6	21.65	10.43	18.39	581247585
250 x 110	10 x 4	24.80	9.76	28.20	581247626
250 x 160	10 x 6	24.80	10.55	29.56	581247627
250 x 200	10 x 8	24.80	11.42	31.53	581247628
315 x 90	12 x 3	21.46	11.42	35.32	581247657
315 x 110	12 x 4	21.85	11.42	33.69	581247658
315 x 160	12 x 6	23.03	12.40	36.60	581247659
315 x 200	12 x 8	26.77	12.99	46.30	581247660

\* Fittings are short spigot style.

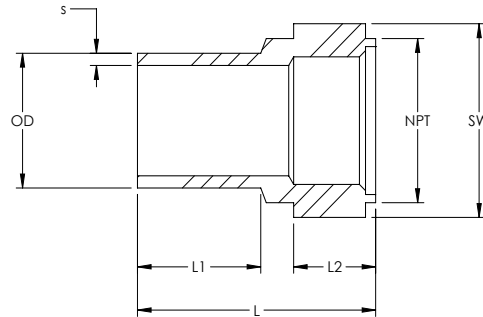
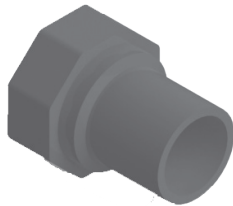


**MALE ADAPTER**

Size		Dimensions					SDR 11 / PN 10 / 150 PSI	
mm	inch	L	L1	L2	SW	NPT-Thread	Weight (lbs)	Part Number
20	1/2	1.81	.81	.71	.87	1/2"	0.02	581252005
25	3/4	2.01	.89	.79	1.06	3/4"	0.02	581252007
32	1	2.40	1.14	0.94	1.42	1"	0.07	581252010
50	1-1/2	2.91	1.30	1.10	2.17	1½"	0.13	581252015
63	2	3.15	1.38	1.22	2.56	2"	0.20	581252020
90	3*	4.00	1.62	1.63	3.54	3"	0.41	581152030
110	4*	4.00	1.52	1.73	4.60	4"	0.89	581152040

\*Note different part number for 3" and 4\*machined version (rated 5 psi).

Butt spigot end, can be used with socket fittings pages 23-27

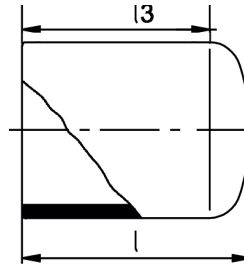


**FEMALE ADAPTER**

Size		Dimensions				SDR 11 / PN 10 / 150 PSI	
mm	inch	L	L2	SW	NPT-Thread	Weight (lbs)	Part Number
20	1/2	1.77	0.63	1.26	1/2"	0.03	581253005
25	3/4	2.01	0.71	1.61	3/4"	0.06	581253007
32	1	2.28	0.79	1.81	1"	0.08	581253010
50	1-1/2	2.68	0.94	2.76	1½"	0.21	581253015
63	2	2.95	1.10	3.35	2"	0.33	581253020
90	3*	4.00	2.37	4.30	3"	0.64	581153030
110	4*	4.00	2.27	5.20	4"	0.98	581153040

\*Note different part number for 3" and 4" machined version (rated 5 psi).

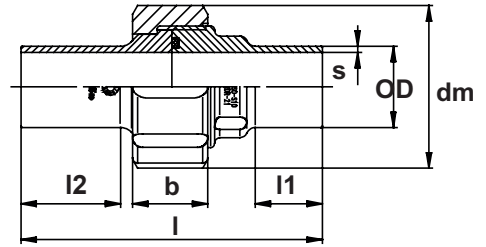
Butt spigot end, can be used with socket fittings pages 23-27



**EXTENDED LEG END CAP**

Size		Dimensions		SDR 11 / PN 10 / 150 PSI	
mm	inch	L	L3	Weight (lbs)	Part Number
20	1/2	1.83	1.65	0.02	581212005
25	3/4	1.89	1.65	0.03	581212007
32	1	2.13	1.77	0.04	581212010
50	1-1/2	2.80	2.24	0.11	581212015
63	2	3.31	2.44	0.20	581212020
90	3	4.21	3.31	0.55	581212030
110	4	5.24	4.13	1.00	581212040
160	6	6.59	4.36	2.65	581212060
200	8	7.15	5.00	4.54	581212080
250	10	9.06	5.98	8.68	581212100
315	12	10.31	6.57	15.65	581212120

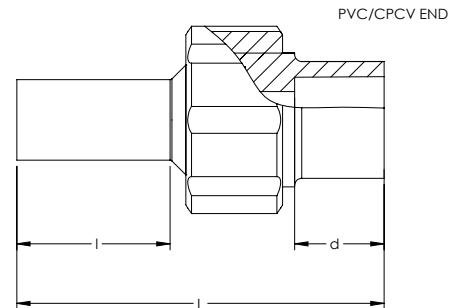




**BUTT UNION**

Size		Dimensions						SDR 11 / PN 10 / 150 PSI		
mm	inch	s	l	l1	l2	dm	b	Weight (lbs)	FKM Part Number	EPDM Part Number
20	1/2	0.079	4.25	0.94	1.50	1.85	0.94	0.11	581234005	-
25	3/4	0.091	4.49	0.94	1.54	2.24	1.02	0.18	581234007	-
32	1	0.114	4.69	0.98	1.54	2.52	1.18	0.24	581234010	581235010
50	1-1/2	0.181	5.12	0.98	1.73	3.50	1.38	0.53	581234015	581235015
63	2	0.228	5.35	0.98	1.73	4.29	1.54	0.86	581234020	581235020
90	3	0.323	5.24	1.40	2.24	5.12	1.57	1.41	581234030	581235030

Chem Proline®

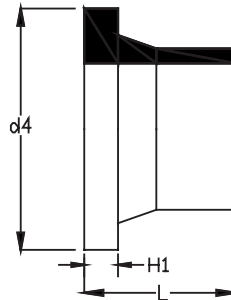


**TRANSITION UNION PVC/CPVC TO CHEM PROLINE (ADVANCED PE)**

Size		Dimensions			SDR 11 / PN 10 / 150 PSI		
mm	inch	L	l	d	Weight (lbs)	PVC	CPVC
						Part Number	Part Number
20	1/2	3.59	1.50	.875	0.13	581225005*	581226005*
25	3/4	3.71	1.54	1.00	0.21	581225007*	581226007*
32	1	3.99	1.54	1.125	0.28	581225010	581226010
50	1-1/2	4.84	1.74	1.375	0.68	581225015	581226015
63	2	5.16	1.74	1.500	1.20	581225020	581226020

\* 1/2" and 3/4" requires the use of socket fitting or coupling, butt fusion is not available for these sizes.

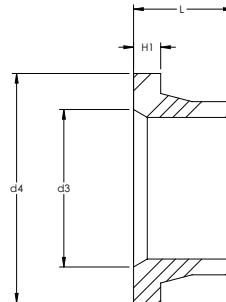
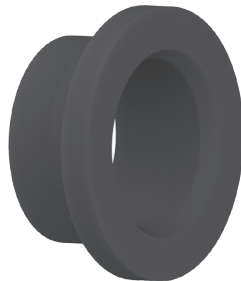




**STUB END\* (FLANGE ADAPTER)**

Size		Dimensions			SDR 11 / PN 10 / 150 PSI	
mm	inch	d4	L	H1	Weight (lbs)	Part Number
20	1/2	1.75	2.05	0.28	0.04	581138005
25	3/4	2.13	1.97	0.35	0.07	581138007
32	1	2.50	1.97	.30	0.15	581138010
50	1-1/2	3.25	1.97	.47	0.29	581138015
63	2	3.95	1.97	.55	0.37	581138020
90	3	5.21	3.15	.67	0.90	581138030
110	4	6.22	3.15	.71	1.19	581138040
160	6	8.35	3.62	0.98	2.12	581138060
200	8	10.55	4.33	1.26	4.50	581138080
250	10	12.60	5.20	1.38	7.23	581138100
315	12	14.57	5.35	1.38	10.01	581138120

\*Requires backing ring.

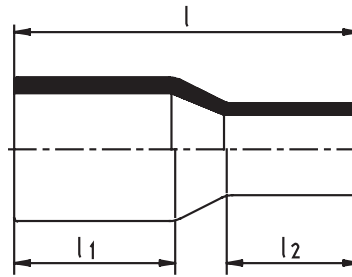


**CHAMFERED STUB END\***

Size		Dimensions				SDR 11 / PN 10 / 150 PSI	
mm	inch	d4	L	D3	H1	Weight (lbs)	Part Number
63	2	3.95	1.97	2.63	.55	0.37	581136020
90	3	5.21	3.15	3.50	.67	0.90	581136030
110	4	6.22	3.15	4.00	.71	1.19	581136040
160	6	8.35	3.62	5.73	0.98	2.12	581136060
200	8	10.55	4.33	7.02	1.26	4.50	581136080
250	10	12.60	5.20	9.13	1.38	7.23	581136100
315	12	14.57	5.35	11.13	1.38	10.01	581136120

\*Requires backing ring. See page 282-284.

Machined chamfer for Asahi butterfly valve use. Consult factory for other manufacturers.

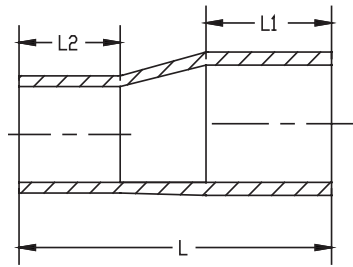


Chem Proline®

### EXTENDED LEG CONCENTRIC REDUCER

Size		Description			SDR 11 / PN 10 / 150 PSI	
mm	inch	l1	l2	l	Weight (lbs)	Part Number
25 x 20	3/4 x 1/2*	1.61	1.61	3.43	0.04	581229101
32 x 20	1 x 1/2*	1.73	1.61	3.74	0.05	581229130
32 x 25	1 x 3/4*	1.73	1.61	3.74	0.05	581229131
50 x 25	1-1/2 x 3/4*	2.17	1.69	4.65	0.12	581229210
50 x 32	1-1/2 x 1	2.17	2.28	4.65	0.13	581229211
63 x 32	2 x 1	2.48	1.89	5.31	0.22	581229249
63 x 50	2 x 1-1/2	2.48	2.28	5.83	0.30	581229251
90 x 63	3 x 2	3.11	2.43	6.77	0.64	581229338
110 x 63	4 x 2	3.23	2.48	7.01	0.94	581229420
110 x 90	4 x 3	3.23	3.11	6.97	1.10	581229422
160 x 90	6 x 3	3.96	3.11	8.54	2.34	581229531
160 x 110	6 x 4	3.86	3.37	8.86	2.60	581229532
200 x 160	8 x 6	4.41	3.58	9.92	5.00	581229585
250 x 160	10 x 6	6.04	4.39	12.36	8.77	581229627
250 x 200	10 x 8	6.04	4.86	12.36	9.79	581229628
315 x 200	12 x 8	6.99	5.18	14.76	16.49	581229660
315 x 250	12 x 10	6.83	6.04	14.76	18.34	581229673

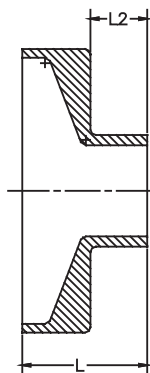
\*Sizes below 1" require use of socket coupling. See page 24.



## ECCENTRIC REDUCER

Size		Dimensions			SDR 11 / PN 10 / 150 PSI	
mm	inch	L1	L2	L	Weight (lbs)	Part Number
25 x 20	3/4 x 1/2*	2.01	1.50	4.06	0.05	581230101
32 x 25	1 x 3/4*	2.20	1.57	4.49	0.06	581230131
50 x 32	1-1/2 x 1	2.80	1.77	6.14	0.18	581230211
63 x 32	2 x 1	2.95	1.77	6.97	0.31	581230249
63 x 50	2 x 1-1/2	2.99	2.20	6.97	0.34	581230251
90 x 63	3 x 2	3.62	2.52	8.39	0.80	581230338
110 x 63	4 x 2	3.90	2.48	9.68	1.30	581230420
110 x 90	4 x 3	3.86	3.11	9.60	1.47	581230422
160 x 90	6 x 3	4.63	3.11	12.17	3.35	581230531
160 x 110	6 x 4	4.55	3.43	12.17	3.66	581230532
200 x 160	8 x 6	5.45	4.09	14.68	7.50	581230585
250 x 200	10 x 8	7.09	4.72	17.32	13.85	581230628

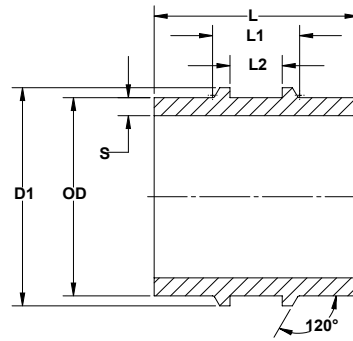
\*Sizes below 1" require use of socket coupling. See page 24.



Chem Proline®

**MACHINED FLUSH REDUCER**

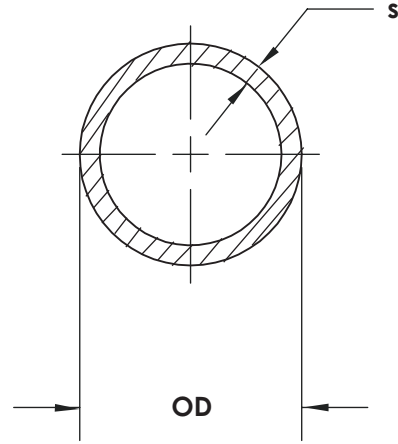
Size		Dimensions		SDR 11 / MOP 150
mm	in	L	L2	Part Number
32 x 20	1 x 1/2	3.00	1.25	581207130
63 x 20	2 x 1/2	3.00	1.25	581207246
63 x 25	3 x 3/4	3.00	1.25	581207248
90 x 20	3 x 1.2	3.00	1.25	581207332
90 x 32	3 x 1	3.00	1.25	581207134
90 x 63	3 x 2	3.00	1.25	581207338
110 x 63	4 x 2	3.00	1.25	581207420
110 x 90	4 x 3	3.00	1.25	581207422
160 x 63	6 x 2	3.00	1.25	581207530
160 x 90	6 x 3	3.00	1.25	581207531
160 x 110	6 x 4	3.00	1.25	581207532
200 x 32	8 x 1	3.00	1.25	581207571
200 x 63	8 x 2	3.00	1.25	581207581
200 x 90	8 x 3	3.00	1.25	581207582
200 x 110	8 x 4	3.00	1.25	581207583
200 x 160	8 x 6	3.00	1.25	581207585
250 x 32	10 x 1	3.00	1.25	581207623
250 x 63	10 x 2	3.00	1.25	581207624
250 x 90	10 x 3	3.00	1.25	581207625
250 x 110	10 x 4	3.00	1.25	581207626
250 x 160	10 x 6	3.00	1.25	581207627
250 x 200	10 x 8	3.00	1.25	581207628
315 x 63	12 x 2	3.00	1.25	581207656
315 x 90	12 x 3	3.00	1.25	581207657
315 x 110	12 x 4	3.00	1.25	581207658
315 x 160	12 x 6	3.00	1.25	581207659
315 x 200	12 x 8	3.00	1.25	581207660
315 x 250	12 x 10	3.00	1.25	581207673



### RESTRAINT FITTING

Size		Dimensions						SDR 11 / PN 10 / 150 PSI
mm	inch	OD	D1	S	L	L1	L2	Part Number
20	1/2*	0.79	1.10	0.075	3.66	2.09	1.30	589161005
25	3/4*	0.98	1.30	0.091	3.66	2.09	1.30	589161007
32	1	1.26	1.57	0.114	3.66	2.09	1.30	589161010
50	1-1/2	1.97	2.28	0.181	4.45	2.09	1.30	589161015
63	2	2.48	2.80	0.228	4.33	1.97	1.22	589161020
90	3	3.54	4.13	0.323	5.12	2.76	1.57	589161030
110	4	4.33	5.00	0.394	5.12	2.76	1.57	589161040
160	6	6.30	7.30	0.575	6.00	3.57	2.40	589161060
200	8	7.87	8.87	0.717	6.00	3.57	2.40	589161080
250	10	9.87	10.84	0.894	6.00	3.57	2.40	589161100
315	12	12.14	13.40	1.126	6.00	3.57	2.40	589161120

\*Sizes below 1" require use of socket coupling. See page 24.



Chem Proline®

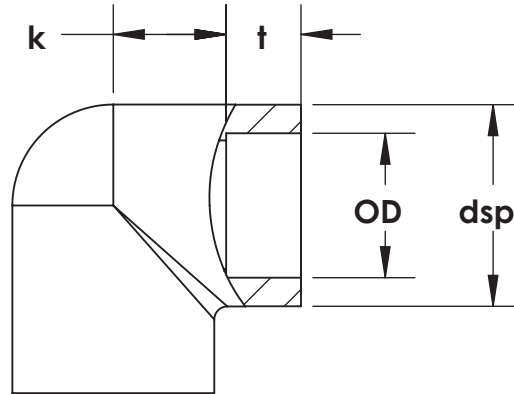
**PIPE** 5 meter (16.4') lengths

Size		Dimensions		SDR 7 / MOP 150 PSI			Dimensions		SDR 11 / MOP 150 PSI	
mm	inch	OD	s	Weight (lbs/lth)	Part Number	List Price	OD	s	Weight (lbs/lth)	Part Number
20	1/2	0.787	0.110	1.76	581102005	41.00	-	-	-	-
25	3/4	0.984	0.138	2.65	581102007	59.00	-	-	-	-
32	1	-	-	-	-	-	1.260	0.118	3.09	581202010
50	1-1/2	-	-	-	-	-	1.968	0.181	7.39	581202015
63	2	-	-	-	-	-	2.480	0.228	11.69	581202020
90	3	-	-	-	-	-	3.543	0.323	23.60	581202030
110	4	-	-	-	-	-	4.330	0.394	35.05	581202040

Pipe and fitting OD size is metric. Inch OD provided as nominal size only  
 PN10/150psi pressure rating.

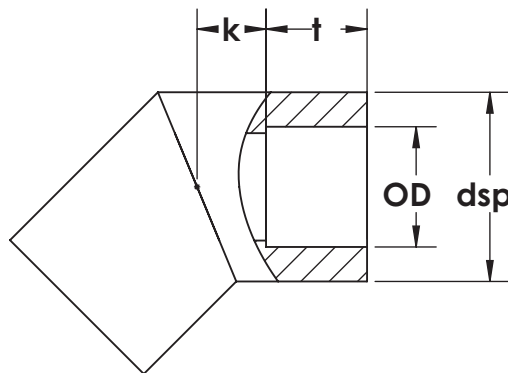
<b>COILED PIPE</b> 50 and 100 meter coils						
Size		Dimensions			SDR7 / MOP 150 PSI	
mm	inch	OD	s	Coil Lth m/ft	Weight Lbs/coil	Part Number
25mm	3/4	0.984	0.138	50/164	17.6	581102007050
25mm	3/4	0.984	0.138	100/328	35.2	581102007100
Size		Dimensions			SDR11 / MOP 150 PSI	
32mm	1	1.26	0.118	50/164	30.9	581202010050
32mm	1	1.26	0.118	100/328	61.8	581202010100

Current stock- check with A/A for availability of other sizes



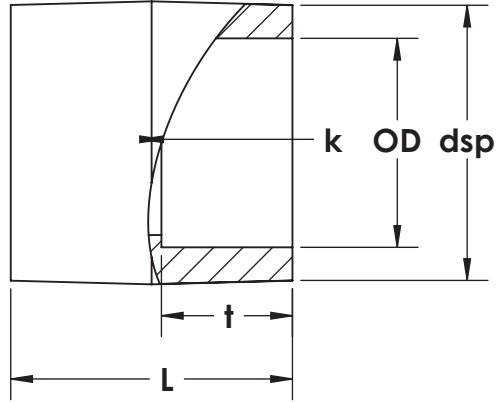
### 90 DEGREE ELBOW

Size		Dimensions			SDR 7 / MOP PN 10 / 150 PSI	
mm	inch	dsp	k	t	Weight (lbs.)	Part Number
20	1/2	1.15	0.55	0.63	0.04	581105005
25	3/4	1.38	0.67	0.71	0.07	581105007
32	1	1.70	0.79	0.79	0.11	581105010
50	1-1/2	2.58	1.10	0.98	0.31	581105015
63	2	3.19	1.38	1.10	0.57	581105020
90	3	4.48	1.93	1.42	1.32	581105030
110	4	5.22	2.09	1.69	1.92	581105040



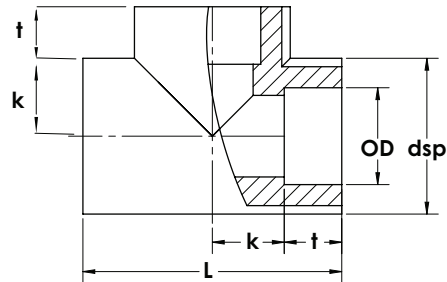
### 45 DEGREE ELBOW

Size		Dimensions			SDR 7 / MOP PN 10 / 150 PSI	
mm	inch	dsp	k	t	Weight (lbs.)	Part Number
20	1/2	1.18	0.43	0.63	0.04	581108005
25	3/4	1.38	0.55	0.71	0.07	581108007
32	1	1.69	0.67	0.79	0.09	581108010
50	1-1/2	2.56	1.02	0.94	0.24	581108015
63	2	3.19	1.30	1.14	0.42	581108020
90	3	4.45	1.81	1.46	0.99	581108030
110	4	5.31	2.20	1.65	1.50	581108040



**COUPLING**

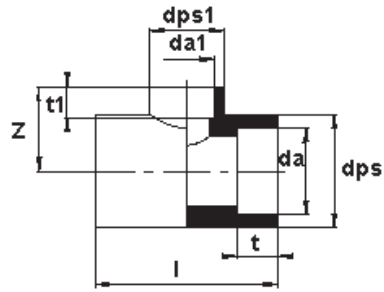
Size		Dimensions				SDR 7 / MOP PN 10 / 150 PSI	
mm	inch	dsp	L	k	t	Weight (lbs.)	Part Number
20	1/2	1.16	1.38	0.12	0.63	0.02	581116005
25	3/4	1.38	1.54	0.12	0.71	0.04	581116007
32	1	1.70	1.69	0.12	0.79	0.07	581116010
50	1-1/2	2.54	2.05	0.16	0.94	0.15	581116015
63	2	3.15	2.44	0.20	1.14	0.24	581116020
90	3	4.53	3.15	0.20	1.46	0.66	581116030
110	4	5.27	3.54	0.24	1.65	0.88	581116040



**TEE**

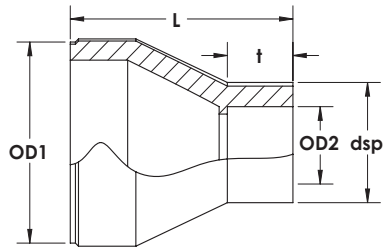
Size		Dimensions				SDR 7 / MOP PN 10 / 150 PSI	
mm	inch	dsp	L	k	t	Weight (lbs.)	Part Number
20	1/2	1.15	2.36	0.55	0.63	0.07	581120005
25	3/4	1.39	2.76	0.67	0.71	0.11	581120007
32	1	1.69	3.23	0.83	0.79	0.15	581120010
50	1-1/2	2.56	4.25	1.18	0.94	0.40	581120015
63	2	3.19	5.16	1.44	1.14	0.68	581120020
90	3	4.49	7.28	2.01	1.46	1.90	581120030
110	4	5.28	8.07	2.24	1.73	2.47	581120040





**REDUCING TEE**

Size		Dimensions						MOP 7 / PN 10 / 150 PSI	
mm	inch	dsp	dsp1	t	t1	l	z	Weight (lbs)	Part Number
25 x 20	3/4 x 1/2	1.37	1.18	0.71	0.63	2.76	1.26	0.09	581121101
32 x 20	1 x 1/2	1.69	1.18	0.79	0.63	3.14	1.57	0.14	581121130
32 x 25	1 x 3/4	1.69	1.38	0.79	0.71	3.15	1.57	0.14	581121131
50 x 20	1-1/2 x 1/2	2.57	1.18	0.98	0.63	4.27	1.97	0.35	581121208
50 x 25	1-1/2 x 3/4	2.58	1.40	0.94	0.71	4.33	2.01	0.35	581121210
50 x 32	1-1/2 x 1	2.56	1.69	0.94	0.79	4.27	2.13	0.36	581121211
63 x 25	2 x 3/4	3.19	1.42	1.14	0.71	5.12	2.56	0.71	581121248
63 x 32	2 x 1	3.19	1.71	1.14	0.79	5.10	2.56	0.70	581121249
63 x 50	2 x 1-1/2	3.19	2.60	1.14	0.94	5.10	2.56	0.71	581121251

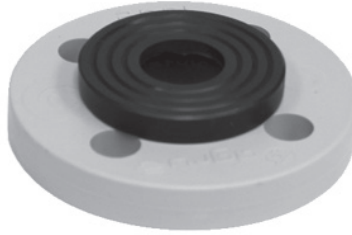


**CONCENTRIC REDUCER**

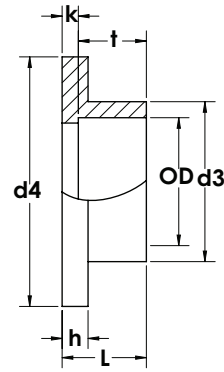
OD1 x OD2		Dimensions					SDR 7 / MOP PN 10 / 150 PSI		
mm	inch	OD1	OD2	L	dsp	t	Weight (lbs)	Part Number	
25 x 20	3/4 x 1/2	0.98	0.79	1.54	1.18	0.63	0.02	581129101	
32 x 20	1 x 1/2	1.26	0.79	1.75	1.14	0.63	0.04	581129130	
32 x 25	1 x 3/4	1.26	0.98	1.77	1.36	0.67	0.04	581129131	
50 x 32	1-1/2 x 1	1.97	1.26	2.17	1.67	0.71	0.09	581129211	
63 x 32	2 x 1	2.48	1.26	2.56	1.69	0.83	0.13	581129249	
63 x 50	2 x 1-1/2	2.48	1.97	2.56	2.55	0.98	0.15	581129251	
90 x 63	3 x 2	3.54	2.48	3.41	3.18	1.14	0.40	581129338	
110 x 90	4 x 3	4.33	3.54	3.49	4.48	1.46	0.66	581129422	

OD1 male spigot. OD2 female socket.

Large dimension is spigot end. Small dimension is socket.



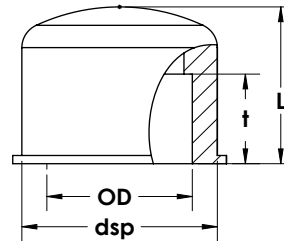
Shown with backing ring



**STUB END\***

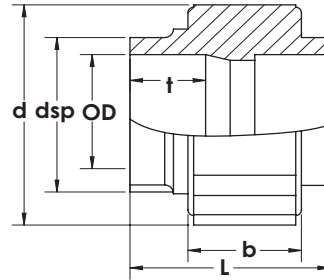
Size		Dimensions						SDR 7 / MOP PN 10 / 150 PSI	
mm	inch	d3	d4	h	L	k	t	Weight (lbs.)	Part Number
20	1/2	1.06	1.77	0.39	0.83	0.20	0.63	0.02	581132005
25	3/4	1.30	2.28	0.39	0.91	0.20	0.71	0.04	581132007
32	1	1.61	2.65	0.39	1.02	0.24	0.79	0.09	581132010
50	1-1/2	2.40	3.47	0.51	1.18	0.24	0.94	0.15	581132015
63	2	2.99	4.02	0.55	1.34	0.20	1.14	0.20	581132020
90	3	4.25	5.43	0.67	1.57	0.28	1.46	0.46	581132030
110	4	5.16	6.22	0.71	1.85	0.20	1.65	0.66	581132040

\*Requires backing ring. See page 282-284



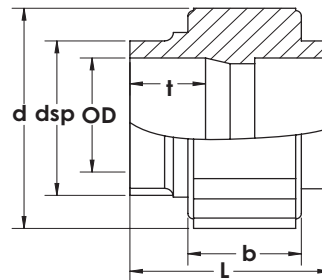
**END CAP**

Size		Dimensions				SDR 7 / MOP PN 10 / 150 PSI	
mm	inch	t	L	OD	dps	Weight (lbs)	Part Number
20	1/2	0.61	1.50	0.78	1.18	0.02	581112005
25	3/4	0.71	1.50	0.97	1.38	0.02	581112007
32	1	0.79	1.50	1.25	1.69	0.04	581112010
50	1-1/2	0.94	2.00	1.96	2.56	0.15	581112015
63	2	1.14	2.00	2.47	3.19	0.29	581112020
90	3	1.46	2.50	3.53	4.45	0.64	581112030
110	4	1.65	2.50	4.32	5.31	0.97	581112040



**UNION**

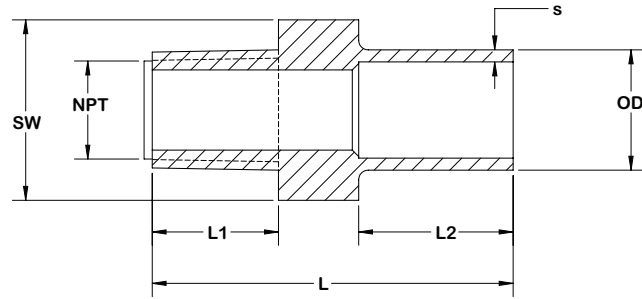
Size		Dimensions					SDR 7 / MOP PN 10 / 150 PSI			
mm	inch	L	d	b	dsp	t	Weight (lbs)	FKM Part Number	EPDM Part Number	
20	1/2	1.77	1.85	0.94	1.07	0.63	0.09	581134005	581144005	
25	3/4	1.93	2.24	1.02	1.41	0.71	0.13	581134007	581144007	
32	1	2.09	2.52	1.18	1.63	0.79	0.18	581134010	581144010	
50	1-1/2	2.64	3.50	1.38	2.31	0.96	0.40	581134015	581144015	
63	2	3.11	4.29	1.53	2.90	1.14	0.68	581134020	581144020	



**TRANSITION UNION - PVC/CPVC**

Size		Dimensions					SDR 7 / MOP PN 10 / 150 PSI			
							PVC		CPVC	
mm	inch	L	d	b	dsp	t	Weight (lbs)	Part Number	Part Number	
20	1/2	2.25	1.85	0.94	1.07	0.63	0.09	585827005	585828005	
25	3/4	2.375	2.24	1.02	1.41	0.71	0.13	585827007	585828007	
32	1	2.50	2.52	1.18	1.63	0.79	0.18	585827010	585828010	
50	1-1/2	2.50	3.50	1.38	2.31	0.96	0.40	585827015	585828015	
63	2	3.625	4.29	1.53	2.90	1.14	0.68	585827020	585828020	

FKM O-ring standard.

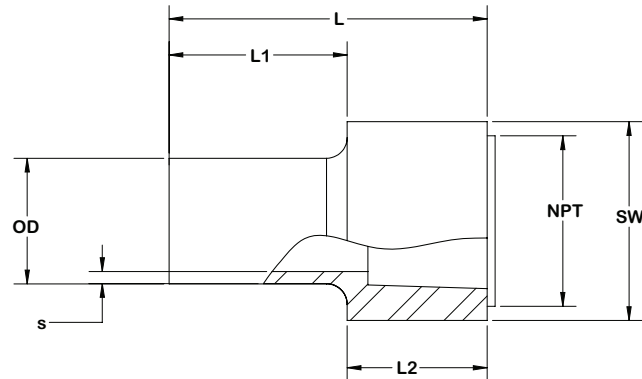


**MALE ADAPTER**

Size		Dimensions							SDR 11 Molded MOP / 150 PSI	
mm	inch	OD	s	L1	L2	L	NPT	SW	Weight (lbs)	Part Number
20	1/2	0.79	0.110	0.72	0.59	1.81	1/2	0.94	0.02	581252005
25	3/4	0.98	0.138	0.79	0.72	2.01	3/4	1.25	0.02	581252007
32	1	1.26	0.118	0.95	1.25	2.40	1	1.42	0.04	581252010
50	1-1/2	1.97	0.181	1.16	1.57	2.91	1 1/2	2.16	0.13	581252015
63	2	2.48	0.228	1.26	1.75	3.15	2	2.58	0.20	581252020

Requires use of socket coupling on page 24.  
Butt fusion end, for socket welding use socket coupling.

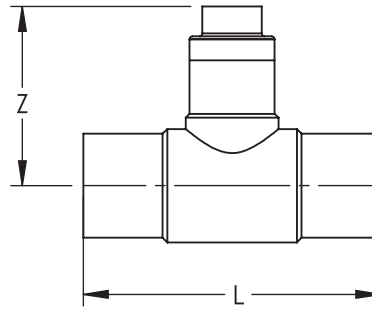
Chem Proline®



**FEMALE ADAPTER**

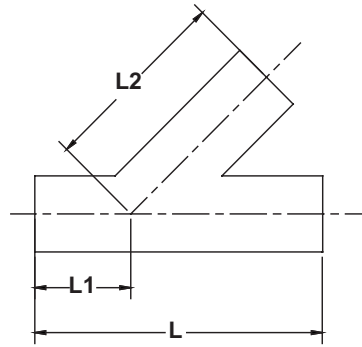
Size		Dimensions							SDR 11 Molded MOP / 150 PSI	
mm	inch	OD	s	L1	L2	L	NPT	SW	Weight (lbs)	Part Number
20	1/2	0.79	0.110	0.89	0.88	1.77	1/2	1.25	0.07	581253005
25	3/4	0.98	0.138	0.97	1.00	1.97	3/4	1.50	0.13	581253007
32	1	1.26	0.118	1.10	1.18	2.28	1	1.80	0.18	581253010
50	1-1/2	1.97	0.181	1.38	1.30	2.68	1 1/2	2.74	0.49	581253015
63	2	2.48	0.228	1.59	1.36	2.95	2	3.40	0.75	581253020

Requires use of socket coupling on page 24.  
Butt fusion end, for socket welding use socket coupling.



### FABRICATED FLUSH REDUCING TEE

Size		Dimensions		SDR 11 / MOP 150
mm	in	L	Z	Part Number
90 x 63	3 x 2	8.37	7.13	581248338
110 x 63	4 x 2	9.96	7.50	581248420
110 x 90	4 x 3	9.96	7.50	581248422
160 x 63	6 x 2	13.62	9.81	581248530
160 x 90	6 x 3	13.62	9.81	581248531
160 x 110	6 x 4	13.62	9.81	581248532
200 x 63	8 x 2	15.94	10.97	581248581
200 x 90	8 x 3	15.94	10.97	581248582
200 x 110	8 x 4	15.94	10.97	581248583
200 x 160	8 x 6	15.94	10.97	581248585
250 x 63	10 x 2	18.50	12.25	581248624
250 x 90	10 x 3	18.50	12.25	581248625
250 x 110	10 x 4	18.50	12.25	581248626
250 x 160	10 x 6	18.50	12.25	581248627
250 x 200	10 x 8	18.50	12.25	581248628
315 x 63	12 x 2	21.65	12.25	581248656
315 x 90	12 x 3	21.65	13.83	581248657
315 x 110	12 x 4	21.65	13.83	581248658
315 x 160	12 x 6	21.65	13.83	581248659
315 x 200	12 x 8	21.65	13.83	581248660
315 x 250	12 x 10	21.65	13.83	581248673



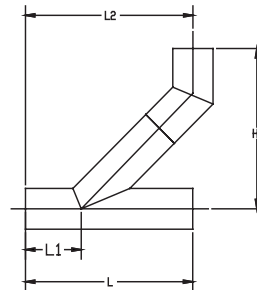
**LATERALS**

Size		Dimensions			MOP 5 PSI
mm	inch	L1	L2	L	Part Number
63	2	6	12	18	581205020
90	3	6	12	18	581205030
110	4	6	12	18	581205040
160	6	8	16	24	581205060
200	8	10	20	30	581205080
250	10	12	24	36	581205100
315	12	14	28	42	581205120

**LATERALS - Molded\***

Size		Dimensions			MOP 150 PSI
mm	inch	L1	L2	L	Part Number
90	3	4.8	9.1	13.8	581215030
110	4	5.2	9.8	15	581215040
160	6	6.5	14.2	20.7	581215060
200	8	7.5	16.4	23.8	581215080

\* New product. Please check for availability.



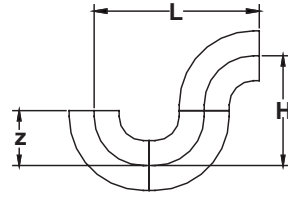
**LATERALS WITH 1/8 BEND**

Size		Dimensions				MOP 5 PSI
mm	inch	L	L1	L2	H	Part Number
63	2	18	6	16.5	13.5	581206020
90	3	18	6	17.25	15.25	581206030
110	4	18	6	17.25	15.5	581206040
160	6	24	8	23.5	21.75	581206060
200	8	30	10	28.5	25.5	581206080
250	10	36	12	34.75	31.25	581206100
315	12	42	14	39.25	33.25	581206120

**LATERALS WITH 1/8 BEND - Molded\***

Size		Dimensions				MOP 5 PSI
mm	inch	L	L1	L2	H	Part Number
90	3	13.8	4.8	14	13-3/8	581256030
110	4	15	5.2	15	14-1/8	581256040
160	6	20.7	6.6	20.75	20-1/2	581256060
200	8	23.8	7.5	20.75	23-1/8	581256080

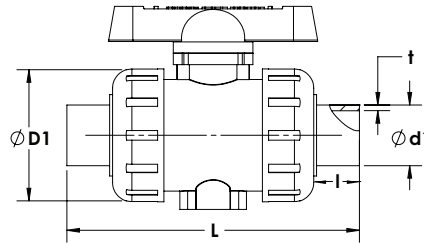
\* New product. Please check for availability.



**P-TRAP**

Size		Dimensions			MOP 120 PSI
mm	inch	L	Z	H	Part Number
63	2	10.75	5.00	10.00	581208020
90	3	14.50	6.50	13.00	581208030
110	4	17.00	7.50	14.50	581208040
160	6	24.00	10.00	19.75	581208060
200	8	28.75	12.25	24.25	581208080
250	10	33.50	12.50	22.50	581208100
315	12	39.75	13.50	26.50	581208120





**PVC TYPE-21 BALL VALVE - W/ CHEM PROLINE® SOCKET ENDS**

Size		Dimensions				EPDM O-RINGS	FKM O-RINGS
mm	inch	D1	d1	l	L	Part Number	Part Number
20	1/2	0.848	0.737	0.630	3.97	581601005	581605005
25	3/4	1.058	0.934	0.689	4.43	581601007	581605007
32	1	1.325	1.210	0.768	4.92	581601010	581605010
50	1-1/2	1.912	1.919	0.984	6.44	581601015	581605015
63	2	2.387	2.430	1.142	7.76	581601020	581605020
90	3	5.48	3.498	1.455	10.01	581601030	581605030
110	4	8.27	4.278	1.730	13.21	581601040	581605040

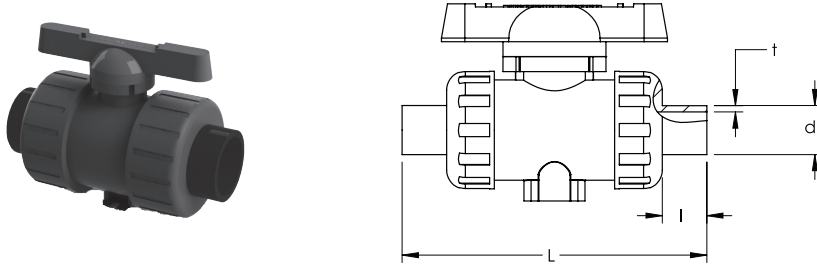
For vented ball applications, use option code 1600018 (\$24.00 list).

**CPVC TYPE-21 BALL VALVE - W/ CHEM PROLINE® SOCKET ENDS**

Size		Dimensions				EPDM O-RINGS	FKM O-RINGS
mm	inch	D1	d1	l	L	Part Number	Part Number
20	1/2	0.848	0.737	0.630	3.97	581609005	581613005
25	3/4	1.058	0.934	0.689	4.43	581609007	581613007
32	1	1.325	1.210	0.768	4.92	581609010	581613010
50	1-1/2	1.912	1.919	0.984	6.44	581609015	581613015
63	2	2.387	2.430	1.142	7.76	581609020	581613020
90	3	5.48	3.498	1.455	10.01	581609030	581613030
110	4	8.27	4.278	1.730	13.21	581609040	581613040

For vented ball applications, use option code 1600018 (\$24.00 list).





### PVC TYPE-21 BALL VALVE - W/ CHEM PROLINE® BUTT ENDS

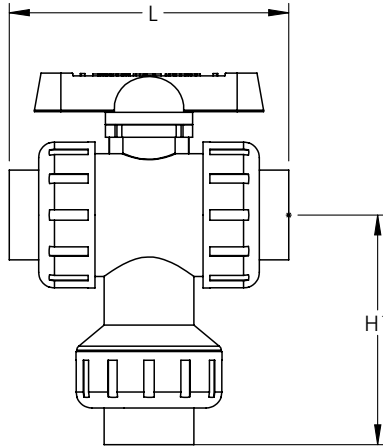
Size		Dimensions				EPDM O-RINGS	FKM O-RINGS
mm	inch	D1	d1	I	L	Part Number	Part Number
20	1/2	0.787	0.110	0.728	4.91	5816010051	5816050051
25	3/4	0.984	0.138	0.949	5.74	5816010071	5816050071
32	1	1.260	0.114	0.940	6.09	5816010101	5816050101
50	1-1/2	1.968	0.181	1.390	7.72	5816010151	5816050151
63	2	2.480	0.228	1.493	9.09	5816010201	5816050201
90	3	3.543	0.323	1.580	11.76	5816010301	5816050301
110	4	4.329	0.394	1.860	15.01	5816010401	5816050401

For vented ball applications, use option code 1600018 (\$24.00 list).

### CPVC TYPE-21 BALL VALVE - W/ CHEM PROLINE® BUTT ENDS

Size		Dimensions				EPDM O-RINGS	FKM O-RINGS
mm	inch	D1	d1	I	L	Part Number	Part Number
20	1/2	0.787	0.110	0.728	4.91	5816090051	5816130051
25	3/4	0.984	0.138	0.949	5.74	5816090071	5816130071
32	1	1.260	0.114	0.940	6.09	5816090101	5816130101
50	1-1/2	1.968	0.181	1.390	7.72	5816090151	5816130151
63	2	2.480	0.228	1.493	9.09	5816090201	5816130201
90	3	3.543	0.323	1.580	11.76	5816090301	5816130301
110	4	4.329	0.394	1.860	15.01	5816090401	5816130401

For vented ball applications, use option code 1600018 (\$24.00 list).



**PVC TYPE-23 BALL VALVE - W/ CHEM PROLINE® SOCKET ENDS**

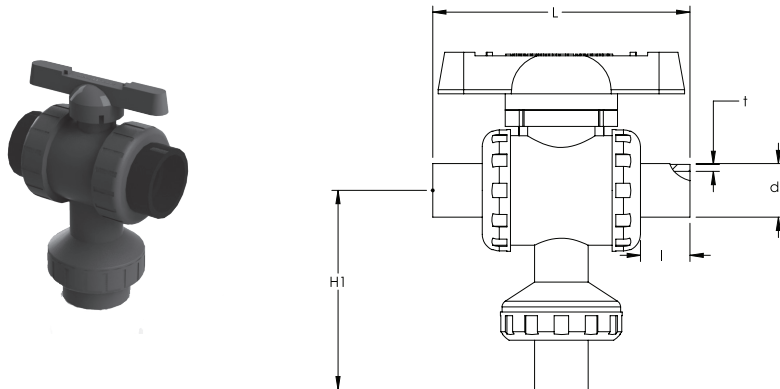
Size		Dimensions				EPDM O-RINGS	FKM O-RINGS
		d1	/	L	H1	PN 10 / 150 PSI	PN 10 / 150 PSI
mm	inch					Part Number	Part Number
20	1/2	0.737	0.630	3.97	3.46	582510005	582513005
25	3/4	0.934	0.689	4.43	4.18	582510007	582513007
32	1	1.210	0.768	4.92	4.83	582510010	582513010
50	1-1/2	1.919	0.984	6.44	6.10	582510015	582513015
63	2	2.430	1.142	7.76	7.10	582510020	582513020

Type-23 3-way ball valves are standard as “L” pattern.  
 For additional flow types, consult valve price book for proper option code and price.

**CPVC TYPE-23 BALL VALVE - W/ CHEM PROLINE® SOCKET ENDS**

Size		Dimensions				EPDM O-RINGS	FKM O-RINGS
		d1	/	L	H1	PN 10 / 150 PSI	PN 10 / 150 PSI
mm	inch					Part Number	Part Number
20	1/2	0.737	0.630	3.97	3.46	582516005	582519005
25	3/4	0.934	0.689	4.43	4.18	582516007	582519007
32	1	1.210	0.768	4.92	4.83	582516010	582519010
50	1-1/2	1.919	0.984	6.44	6.10	582516015	582519015
63	2	2.430	1.142	7.76	7.10	582516020	582519020

Type-23 3-way ball valves are standard as “L” pattern.  
 For additional flow types, consult valve price book for proper option code and price.



**PVC TYPE-23 BALL VALVE - W/ CHEM PROLINE® BUTT ENDS**

Size		Dimensions					EPDM O-RINGS	FKM O-RINGS
		d1	t	/	L	H1	PN 10 / 150 PSI	PN 10 / 150 PSI
mm	inch						Part Number	Part Number
20	1/2	0.787	0.110	0.728	4.91	3.93	5825100051	5825130051
25	3/4	0.984	0.138	0.949	5.74	4.83	5825100071	5825130071
32	1	1.260	0.114	0.940	6.09	5.41	5825100101	5825130101
50	1-1/2	1.968	0.181	1.390	7.72	6.74	5825100151	5825130151
63	2	2.480	0.228	1.493	9.09	7.77	5825100201	5825130201

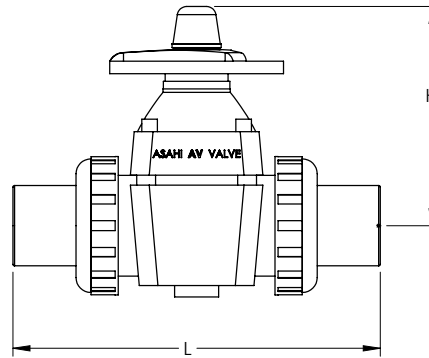
Type-23 3-way ball valves are standard as "L" pattern.  
For additional flow types, consult valve price book for proper option code and price.

**CPVC TYPE-23 BALL VALVE - W/ CHEM PROLINE® BUTT ENDS**

Size		Dimensions					EPDM O-RINGS	FKM O-RINGS
		d1	t	/	L	H1	PN 10 / 150 PSI	PN 10 / 150 PSI
mm	inch						Part Number	Part Number
20	1/2	0.787	0.110	0.728	4.91	3.93	5825160051	5825190051
25	3/4	0.984	0.138	0.949	5.74	4.83	5825160071	5825190071
32	1	1.260	0.114	0.940	6.09	5.41	5825160101	5825190101
50	1-1/2	1.968	0.181	1.390	7.72	6.74	5825160151	5825190151
63	2	2.480	0.228	1.493	9.09	7.77	5825160201	5825190201

Type-23 3-way ball valves are standard as "L" pattern.  
For additional flow types, consult valve price book for proper option code and price.



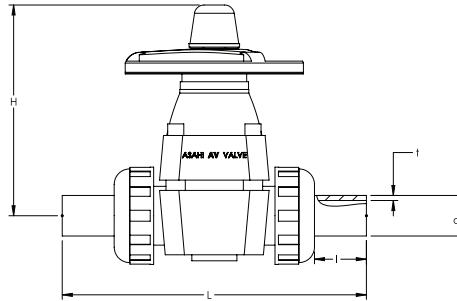


**PVC TYPE-14 DIAPHRAGM VALVE - W /CHEM PROLINE® SOCKET ENDS**

Size		Dimensions			EPDM DIAPHRAGM	PTFE DIAPHRAGM
mm	inch	d1	/	L	PN 10 / 150 PSI	PN 10 / 150 PSI
					Part Number	Part Number
20	1/2	0.737	0.630	4.99	581526005	581528005
25	3/4	0.934	0.689	5.53	581526007	581528007
32	1	1.210	0.768	6.49	581526010	581528010
50	1-1/2	1.919	0.984	9.67	581526015	581528015
63	2	2.430	1.142	11.19	581526020	581528020

**CPVC TYPE-14 DIAPHRAGM VALVE - W /CHEM PROLINE® SOCKET ENDS**

Size		Dimensions			EPDM DIAPHRAGM	PTFE DIAPHRAGM
mm	inch	d1	/	L	PN 10 / 150 PSI	PN 10 / 150 PSI
					Part Number	Part Number
20	1/2	0.737	0.630	4.99	581530005	581532005
25	3/4	0.934	0.689	5.53	581530007	581532007
32	1	1.210	0.768	6.49	581530010	581532010
50	1-1/2	1.919	0.984	9.67	581530015	581532015
63	2	2.430	1.142	11.19	581530020	581532020



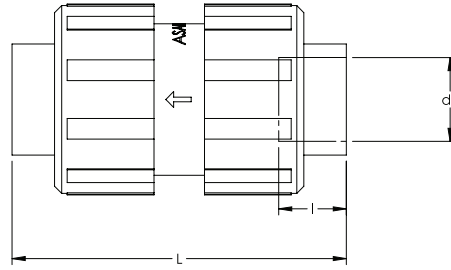
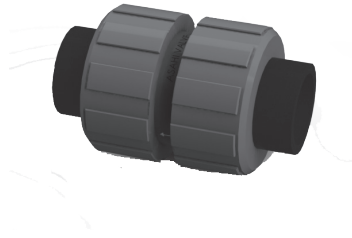
**PVC TYPE-14 DIAPHRAGM VALVE - W /CHEM PROLINE® BUTT ENDS**

Size		Dimensions				EPDM DIAPHRAGM	PTFE DIAPHRAGM
						PN 10 / 150 PSI	PN 10 / 150 PSI
mm	inch	d1	t	/	L	Part Number	Part Number
20	1/2	0.787	0.110	0.728	5.93	5815260051	5815280051
25	3/4	0.984	0.138	0.949	6.84	5815260071	5815280071
32	1	1.260	0.114	0.940	7.66	5815260101	5815280101
50	1-1/2	1.968	0.181	1.390	10.95	5815260151	5815280151
63	2	2.480	0.228	1.493	12.52	5815260201	5815280201

**CPVC TYPE-14 DIAPHRAGM VALVE - W /CHEM PROLINE® BUTT ENDS**

Size		Dimensions				EPDM DIAPHRAGM	PTFE DIAPHRAGM
						PN 10 / 150 PSI	PN 10 / 150 PSI
mm	inch	d1	t	/	L	Part Number	Part Number
20	1/2	0.787	0.110	0.728	5.93	5815300051	5815320051
25	3/4	0.984	0.138	0.949	6.84	5815300071	5815320071
32	1	1.260	0.114	0.940	7.66	5815300101	5815320101
50	1-1/2	1.968	0.181	1.390	10.95	5815300151	5815320151
63	2	2.480	0.228	1.493	12.52	5815300201	5815320201
						<b>Discount Code</b>	<b>Discount Code</b>



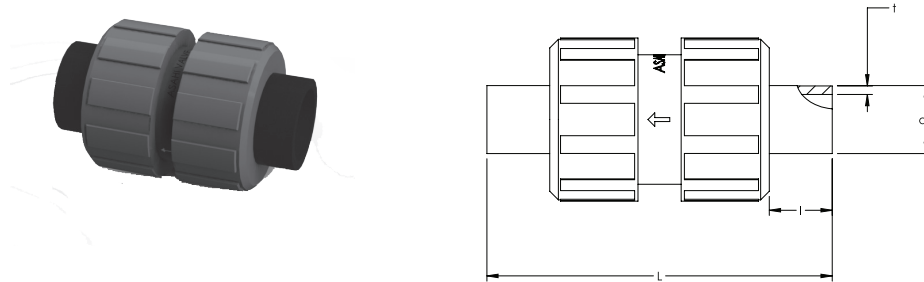


**PVC BALL CHECK VALVE - W /CHEM PROLINE® SOCKET ENDS**

Size		Dimensions			EPDM	FKM
					PN 10 / 150 PSI	PN 10 / 150 PSI
mm	inch	d1	/	L	Part Number	Part Number
20	1/2	0.737	0.630	3.25	581210005	581213005
25	3/4	0.934	0.689	3.77	581210007	581213007
32	1	1.210	0.768	4.14	581210010	581213010
50	1-1/2	1.919	0.984	5.94	581210015	581213015
63	2	2.430	1.142	7.12	581210020	581213020

**CPVC BALL CHECK VALVE - W /CHEM PROLINE® SOCKET ENDS**

Size		Dimensions			EPDM	FKM
					PN 10 / 150 PSI	PN 10 / 150 PSI
mm	inch	d1	/	L	Part Number	Part Number
20	1/2	0.737	0.630	3.25	581216005	581219005
25	3/4	0.934	0.689	3.77	581216007	581219007
32	1	1.210	0.768	4.14	581216010	581219010
50	1-1/2	1.919	0.984	5.94	581216015	581219015
63	2	2.430	1.142	7.12	581216020	581219020



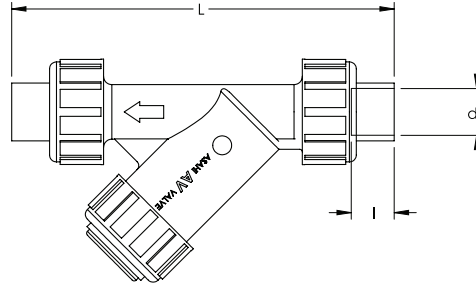
**PVC BALL CHECK VALVE - W /CHEM PROLINE® BUTT ENDS**

Size		Dimensions				EPDM	FKM
						PN 10 / 150 PSI	PN 10 / 150 PSI
mm	inch	d1	t	I	L	Part Number	Part Number
20	1/2	0.787	0.110	0.728	4.19	581219005	5812130051
25	3/4	0.984	0.138	0.949	5.08	581219007	5812130071
32	1	1.260	0.114	0.940	5.31	581219010	5812130101
50	1-1/2	1.968	0.181	1.390	7.22	581219015	5812130151
63	2	2.480	0.228	1.493	8.45	581219020	5812130201

**CPVC BALL CHECK VALVE - W /CHEM PROLINE® BUTT ENDS**

Size		Dimensions				EPDM	FKM
						PN 10 / 150 PSI	PN 10 / 150 PSI
mm	inch	d1	t	I	L	Part Number	Part Number
20	1/2	0.787	0.110	0.728	4.19	5812160051	5812190051
25	3/4	0.984	0.138	0.949	5.08	5812160071	5812190071
32	1	1.260	0.114	0.940	5.31	5812160101	5812190101
50	1-1/2	1.968	0.181	1.390	7.22	5812160151	5812190151
63	2	2.480	0.228	1.493	8.45	5812160201	5812190201

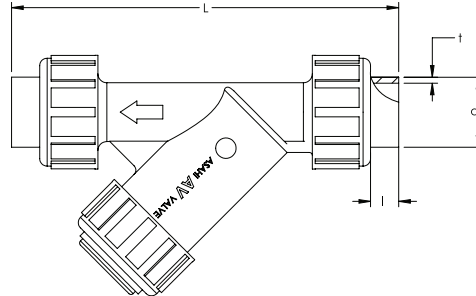




**PVC SEDIMENT STRAINER - W /CHEM PROLINE® SOCKET ENDS**

Size		Dimensions			EPDM	FKM
					PN 10 / 150 PSI	PN 10 / 150 PSI
mm	inch	d1	l	L	Part Number	Part Number
20	1/2	0.737	0.630	6.45	581257005	581258005
25	3/4	0.934	0.689	7.65	581257007	581258007
32	1	1.210	0.768	8.54	581257010	581258010
50	1-1/2	1.919	0.984	11.33	581257015	581258015
63	2	2.430	1.142	12.96	581257020	581258020



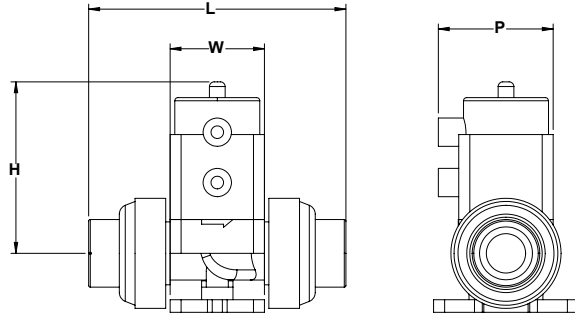


**PVC SEDIMENT STRAINER - W /CHEM PROLINE® BUTT ENDS**

Size		Dimensions				EPDM	FKM
						PN 10 / 150 PSI	PN 10 / 150 PSI
mm	inch	d1	t	l	L	Part Number	Part Number
20	1/2	0.787	0.110	0.728	7.39	5812570051	5812580051
25	3/4	0.984	0.138	0.949	8.96	5812570071	5812580071
32	1	1.260	0.114	0.940	9.71	5812570101	5812580101
50	1-1/2	1.968	0.181	1.390	12.61	5812570151	5812580151
63	2	2.480	0.228	1.493	14.29	5812570201	5812580201

**Dymatrix™**

Compact!



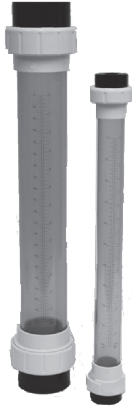
Chem Proline®

**PVC AD-16 DIAPHRAGM VALVE - W/ CHEM PROLINE® SOCKET ENDS**

Size		Dimensions				EPDM O-RINGS	FKM O-RINGS
		L	H	W	P	PN 6 / 90 PSI	PN 6 / 90 PSI
mm	inch					Part Number	Part Number
20	1/2	4.65	3.11	1.97	2.48	581167005	581170005
25	3/4	5.43	4.25	2.36	2.87	581167007	581170007
32	1	5.89	4.29	2.36	2.87	581167010	581170010
50	1-1/2	8.50	6.36	3.74	4.23	581167015	581170015
63	2	10.24	7.42	4.53	5.04	581167020	581170020

PE socket ends.  
 Normally closed.  
 For butt valve, use part number above with 1 at end.

### CALIBRATION COLUMN



Size		Clear PVC Tube, Socket		
mm	inch	Description	FKM Part Number	EPDM Part Number
20	1/2	3 GPH (100mL)	582703005	582603005
20	1/2	6 GPH (200mL)	582706005	582606005
25	3/4	16 GPH (500mL)	582716007	582616007
25	3/4	32 GPH (1000mL)	582732007	582632007
32	1	60 GPH (2000mL)	582760010	582660010
32	1	120 GPH (4000mL)	582712010	582612010

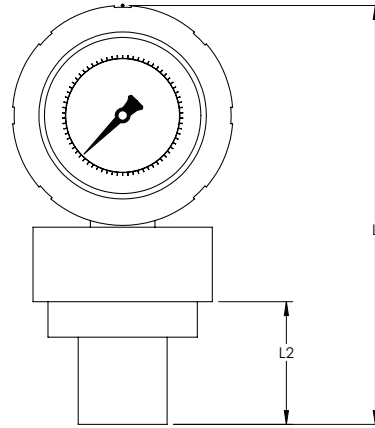
Non-returnable and non-cancelable.

### TRUFLO® TK SERIES FLOW METERS WITH CHEM PROLINE® BUTT ENDS



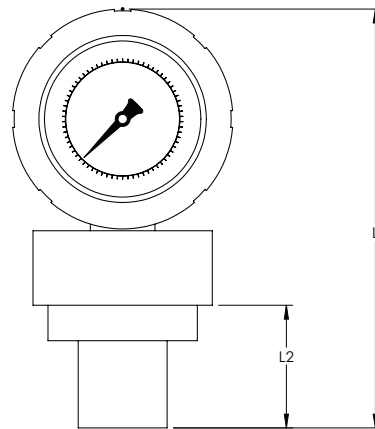
Contact Asahi/ America for pricing and information.





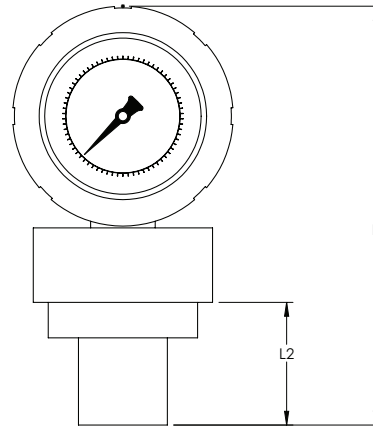
**2-1/2" GAUGE**

Size		PP Body- Advanced PE End- PTFE Diaphragm				
		Dimensions				
mm	inch	Dia	L	L1	Range (psi)	Part Number
20	1/2	2 1/2"	6	2	0-60	5899005060
20	1/2	2 1/2"	6	2	0-100	5899005100
20	1/2	2 1/2"	6	2	0-160	5899005160



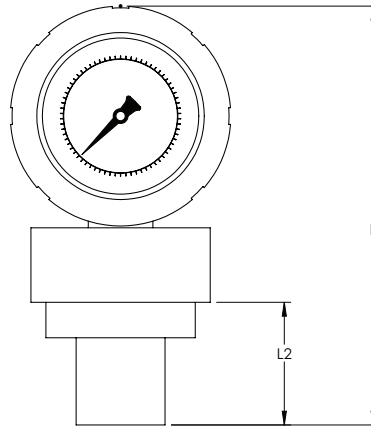
**3" GAUGE - BIG GAUGE**

Size		PP Body- Advanced PE End-PTFE Diaphragm- Big Gauge				
		Dimensions				
mm	inch	Dia	L	L1	Range (psi)	Part Number
20	1/2	3	7	2	0-60	5899105060
20	1/2	3	7	2	0-100	5899105100
20	1/2	3	7	2	0-160	5899105160



**2-1/2" PANEL MOUNT GAUGE**

Size		PP Body- Advanced PE End- PTFE Diaphragm- Panel Mount				
		Dimensions				
mm	inch	Dia	L	L1	Range (psi)	Part Number
20	1/2	2-1/2	6	2	0-60	5899205060
20	1/2	2-1/2	6	2	0-100	5899205100
20	1/2	2-1/2	6	2	0-160	5899205160



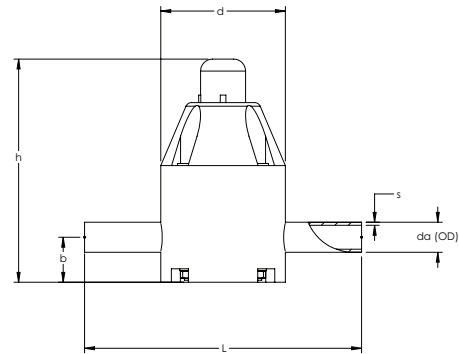
**DIGITAL GAUGE WITH CHEM PROLINE® END CONNECTOR**

Size		PP Body- Advanced PE End- PTFE Diaphragm- Digital Gauge				
		Dimensions				
mm	inch	Dia	L	L1	Range (psi)	Part Number
20	1/2	3	6	2	0-145	5899305000

Polypropylene and PVDF bodies also available, contact Asahi/ America for information.



V86 Back Pressure/Relief Valves - Straight (Inline)

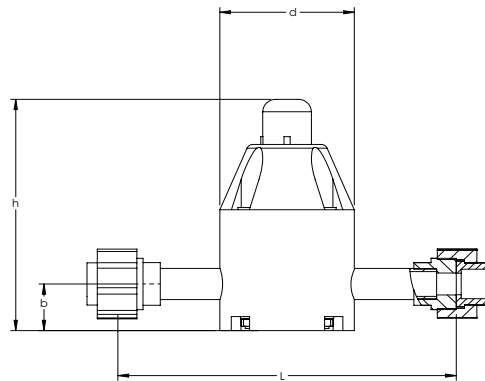


Chem Proline®

V86 BACK PRESSURE RELIEF VALVE STRAIGHT (INLINE) - BUTT/IR ENDS

Size		Dimensions						Range (psi)	SDR11 / PN 10 / 150 PSI	
mm	Inch	da(OD)	d	L	b	h	s		EPDM	PTFE/FKM
		Part Number		Part Number						
20	1/2	0.787	3.268	7.25	0.787	5.394	0.11	7.25-145	588601105	588600105
25	3/4	0.984	3.268	7.25	0.787	5.394	0.138		588601107	588600107
32	1	1.26	4.409	8.50	1.063	7.835	0.118		588601110	588600110
50	1-1/2	1.968	6.496	10.50	1.693	11.417	0.181		588601115	588600115
63	2	2.48	6.496	10.50	1.693	11.417	0.228		588601120	588600120

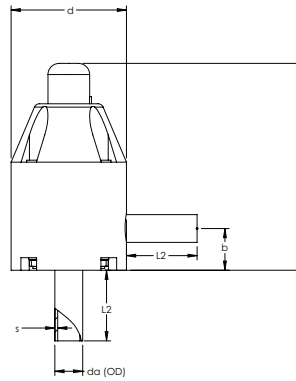
Non-returnable and non-cancelable.



V86 BACK PRESSURE RELIEF VALVE STRAIGHT (INLINE) - SOCKET UNION

Size		Dimensions						Range (psi)	SDR11 / PN 10 / 150 PSI	
mm	Inch	da(OD)	d	L	b	h	s		EPDM	PTFE/FKM
		Part Number		Part Number						
20	1/2	0.787	3.268	6.50	0.787	5.394	0.11	7.25-145	588601205	588600205
25	3/4	0.984	3.268	6.50	0.787	5.394	0.138		588601207	588600207
32	1	1.26	4.409	7.75	1.063	7.835	0.118		588601210	588600210
50	1-1/2	1.968	6.496	9.75	1.693	11.417	0.181		588601215	588600215
63	2	2.48	6.496	9.75	1.693	11.417	0.228		588601220	588600220

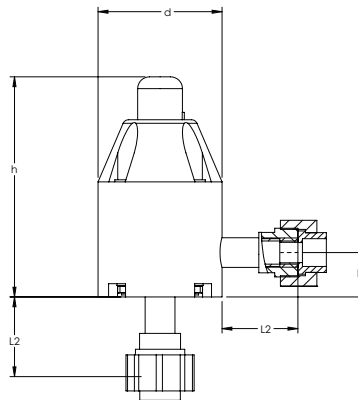
V86 Back Pressure/Relief Valves- Angle



V86 BACK PRESSURE RELIEF VALVE ANGLE - BUTT/IR ENDS

Size		Dimensions						Range (psi)	SDR11 / PN 10 / 150 PSI	
mm	Inch	da(OD)	d	L2	b	h	s		EPDM	PTFE/FKM
				Part Number		Part Number				
20	1/2	0.787	3.268	2.00	0.787	5.394	0.11	7.25-145	588611105	588610105
25	3/4	0.984	3.268	2.00	0.787	5.394	0.138		588611107	588610107
32	1	1.26	4.409	2.00	1.063	7.835	0.118		588611110	588610110

Non-returnable and non-cancelable.



V86 BACK PRESSURE RELIEF VALVE ANGLE - SOCKET UNION

Size		Dimensions						Range (psi)	SDR11 / PN 10 / 150 PSI	
mm	Inch	da(OD)	d	L2	b	h	s		EPDM	PTFE/FKM
				Part Number		Part Number				
20	1/2	0.787	3.268	1.50	0.787	5.394	0.11	7.25-145	588611205	588610205
25	3/4	0.984	3.268	1.50	0.787	5.394	0.138		588611207	588610207
32	1	1.26	4.409	1.50	1.063	7.835	0.118		588611210	588610210

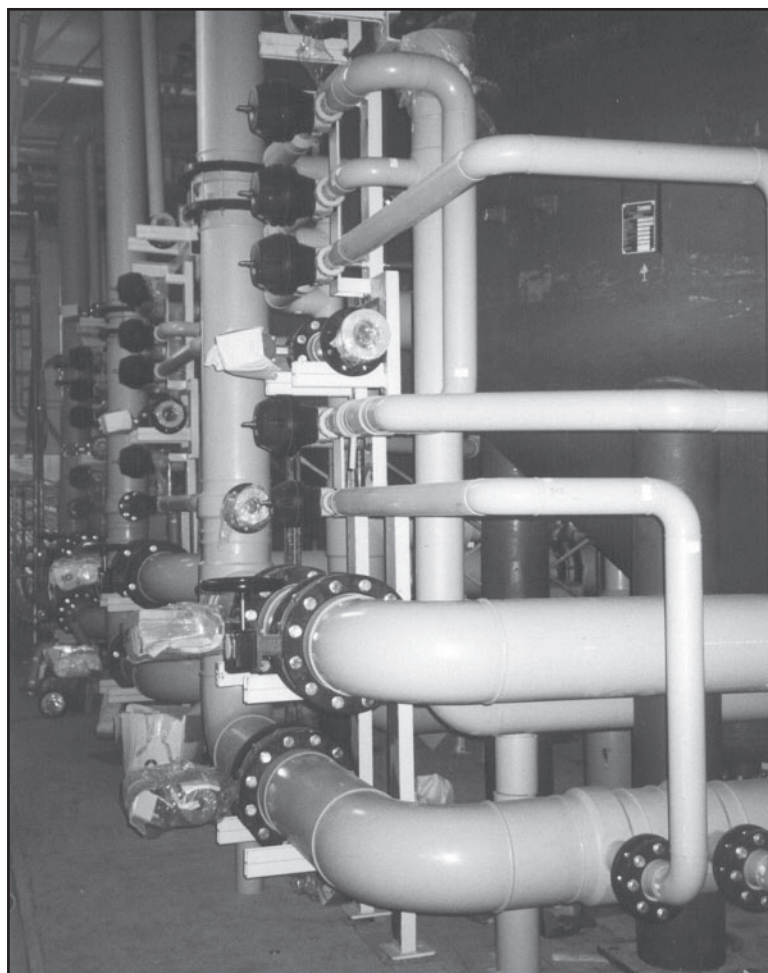
Non-returnable and non-cancelable.



# Proline® PP Single Wall Piping System



Certified to  
NSF/ANSI 61-G



Proline®



# Proline®

Pigmented Polypropylene (PP)

Chemical Piping System

REV:IN0512PP

**Materials:** ASTM D4101 Group 2, Class 1 pigmented polypropylene random copolymer resin 16" (400mm) and under. Resin shall comply with FDA Code of Federal Regulators (CFR), Title 21, Chapter 1: Section 177.1520 determining suitability for contact with foodstuff.

Pipe and fittings are certified to NSF 61-G.

**Pipe Production:** Dimensions and tolerances shall exceed ISO 15494 requirement.

**Fitting Production:** Dimensions and tolerances shall exceed ISO 15494 requirement. Fittings shall be molded with a central injection gate.

**Pressure Rating:** Components shall be pressure rated in accordance with ASTM D2837 and DIN 8077 for hydrostatic design basis. Components shall be manufactured to standard dimensional ratio (SDR) 11, 17, 33 and others upon request.

Based on continuous service life of 50 years at 68° F (20° C). Below pressure ratings are pressure reduced for general chemical use, contact Asahi America for pressure ratings of specific chemicals.

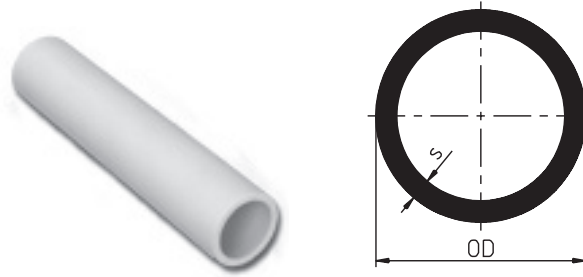
SDR11: Chemical-150psi (PN10), Water- 225psi

SDR17: Chemical- 90psi (PN6), Water- 109psi

SDR33: Chemical- 45psi (PN3), Water- 57psi

PN = Nominal pressure in bar.

**Joining:** Available methods shall be according to the schedule below  
 DVS 2208-1 Socket: 1/2" (20mm) through 4" (110mm)  
 DVS 2207-11 Contact Butt: 1/2" (20mm) through max product size

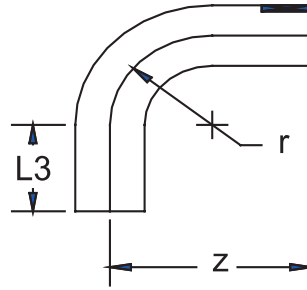


**PIPE** 5 meter (16.4') lengths

Size		Dimensions			SDR 11 / PN 10 / 150 PSI	Dimensions		SDR 33 / PN 3 / 45 PSI
mm	inch	OD	s	Weight (lbs/lth)	Part Number	s	Weight (lbs/lth)	Part Number
20	1/2	0.787	0.098	1.21	5001005	-	-	-
25	3/4	0.984	0.106	1.76	5001007	-	-	-
32	1	1.260	0.114	2.87	5001010	-	-	-
40	1-1/4	1.575	0.146	4.52	5001012	-	-	-
50	1-1/2	1.968	0.181	7.05	5001015	-	-	-
63	2	2.480	0.228	11.13	5001020	-	-	-
75	2-1/2	2.953	0.268	15.43	5001025	-	-	-
90	3	3.543	0.323	22.38	5001030	0.110	8.38	5103030
110	4	4.330	0.394	33.18	5001040	0.134	12.74	5103040
125	4-1/2	4.921	0.449	43.1	5001045*	0.154	15.98	5103045*
140	5	5.512	0.500	53.68	5001050*	0.169	19.62	5103050*
160	6	6.300	0.575	70.44	5001060	0.193	25.57	5103060
180	7	7.087	0.646	88.96	5001070*	0.217	32.41	5103070*
200	8	7.874	0.717	109.68	5001080	0.244	40.23	5103080
225	9	8.858	0.807	138.78	5001090*	0.272	50.38	5103090*
250	10	9.842	0.894	170.64	5001100	0.303	62.50	5103100
280	11	11.024	1.000	213.85	5001110*	0.339	78.15	5103110*
315	12	12.402	1.126	270.62	5001120	0.382	98.88	5103120
355	14	13.976	1.268	343.50	5001140	0.429	124.56	5103140
400	16	15.748	1.429	435.41	5001160	0.484	158.73	5103160
450	18	17.716	1.610	552.26	5001180	0.543	200.62	5103180
500	20	19.685	1.787	681.23	5001200	0.602	245.82	5103200
560	22	-	-	-	-	0.677	309.80	5103220
630	24	24.803	-	-	-	0.760	391.32	5103240

\*NON STANDARD STOCK.  
Diameter is metric. Inch size provided as nominal only.

Proline® PRO45/PRO150 BUTT

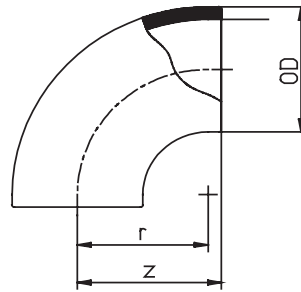


**EXTENDED LEG 90 DEGREE ELBOW**

Size		Dimensions			SDR 11 / PN 10 / 150 PSI	
mm	inch	L3	r	z	Weight (lbs)	Part Number
20	1/2	1.57	0.79	2.36	0.03	5007005
25	3/4	1.67	0.98	2.70	0.05	5007007
32	1	1.85	1.26	3.11	0.09	5007010
40	1-1/4	2.05	1.58	3.64	0.16	5007012
50	1-1/2	2.30	1.97	4.27	0.29	5007015
63	2	2.62	2.48	5.10	0.55	5007020
75	2-1/2	2.95	2.95	5.91	0.88	5007025
90	3	2.99	3.54	6.61	1.44	5007030
110	4	3.23	4.33	7.56	2.40	5007040
125	4-1/2	3.62	4.92	8.58	3.56	5007045*
140	5	3.94	5.51	9.49	4.94	5007050*
160	6	3.96	6.30	10.30	6.97	5007060
180	7	4.29	7.09	11.44	9.57	5007070*
200	8	4.67	7.87	12.54	12.79	5007080
225	9	4.92	8.86	13.90	17.73	5007090*
250	10	5.24	9.84	15.31	21.74	5007100
280	11	5.63	11.02	16.90	29.89	5007110*
315	12	6.22	12.40	18.70	43.70	5007120

\*NON STANDARD STOCK.

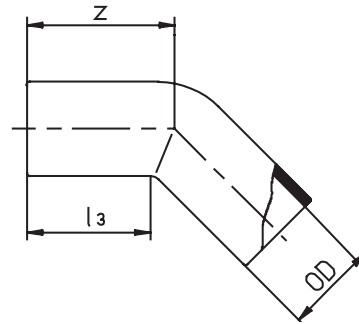
Proline®  
 PRO45/PRO150 BUTT



**90 DEGREE ELBOW**

Size		Dimensions		SDR 11 / PN 10 / 150 PSI		Dimensions		SDR 33 / PN 3 / 45 PSI	
mm	inch	r	z	Weight (lbs)	Part Number	r	z	Weight (lbs)	Part Number
110	4	-	-	-	-	4.33	4.72	0.55	5105040
160	6	-	-	-	-	6.11	6.97	1.63	5105060
200	8	-	-	-	-	7.87	8.66	2.95	5105080
250	10	9.84	11.42	15.65	5004100	10.44	11.42	6.13	5105100
280	11	10.43	11.42	19.67	5004110	10.44	11.42	7.94	5105110
315	12	12.40	13.39	30.16	5004120	11.82	13.39	10.93	5105120
355	14	13.98	13.39	38.27	5004140	11.82	13.39	14.24	5105140
400	16	15.75	13.74	49.03	5004160	11.82	13.58	18.12	5105160
450	18	17.72	17.68	79.72	5004180	15.75	17.52	31.26	5105180
500	20	19.69	17.68	95.77	5004200	15.75	17.52	37.88	5105200

Proline®  
PRO45/PRO150 BUTT

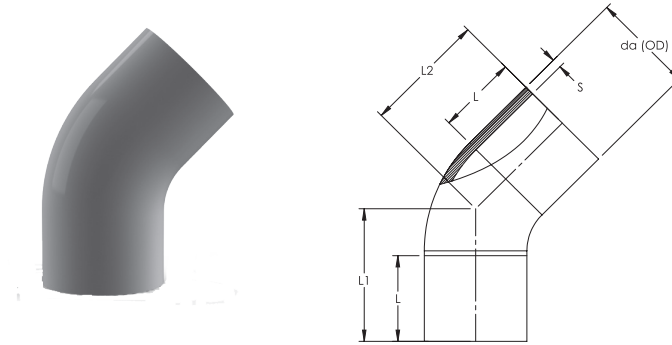


## 45 DEGREE EXTENDED LEG ELBOW

Size		Dimensions		SDR 11 / PN 10 / 150 PSI	
mm	inch	l3	z	Weight (lbs)	Part Number
20	1/2	1.54	1.73	0.02	5008005
25	3/4	1.65	1.89	0.04	5008007
32	1	1.93	2.24	0.07	5008010
40	1-1/4	2.09	2.48	0.11	5008012
50	1-1/2	2.24	2.76	0.22	5008015
63	2	2.52	3.15	0.37	5008020
75	2-1/2	2.76	3.54	0.57	5008025
90	3	3.23	4.09	0.95	5008030
110	4	3.23	4.25	1.46	5008040
125	4-1/2	3.92	5.22	2.20	5008045*
140	5	3.94	5.35	2.95	5008050*
160	6	4.59	6.16	4.32	5008060
180	7	5.18	6.95	6.26	5008070*
200	8	4.80	6.77	7.58	5008080
225	9	4.94	7.19	10.14	5008090*
250	10	6.22	8.54	14.90	5008100
280	11	6.61	9.37	19.71	5008110*
315	12	6.97	9.88	26.46	5008120

\*NON STANDARD STOCK

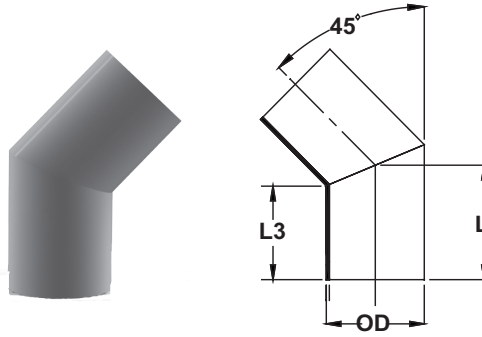
Proline®  
PRO45/PRO150 BUTT



**FABRICATED 45 DEGREE ELBOW (FROM MOLDED 90)**

PRO150						
Size		Dimensions				SDR 11 / PN 10 / 150 PSI
mm	in	L	L1	L2	Weight (lbs)	Part Number
355	14	11.81	18.27	16.69	60.41	5074140
400	16	11.81	18.46	16.69	76.5	5074160
450	18	11.81	20.12	18.35	105.38	5074180
500	20	11.81	20.12	18.35	130.73	5074200
PRO45						
Size		Dimensions				SDR 33 / PN 3 / 45 PSI
mm	in	L	L1	L2	Weight (lbs)	Part Number
110	4	11.81	14.02	13.62	1.75	5154040
160	6	11.81	15.31	14.33	3.88	5154060
200	8	11.81	15.87	15.08	6.31	5154080
250	10	11.81	16.26	15.47	10.52	5154100
315	12	11.81	18.27	16.69	16.34	5154120
355	14	11.81	18.27	16.69	27.34	5154140
400	16	11.81	18.46	16.69	27.11	5154160
450	18	11.81	20.12	18.35	39.9	5154180

Proline®  
PRO45/PRO150 BUTT

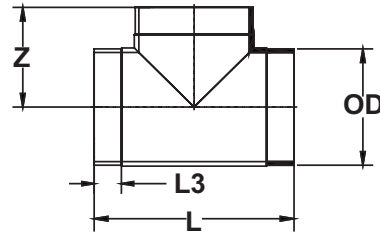
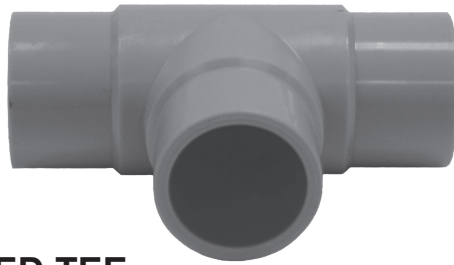


**SEGMENTED\* 45 DEGREE ELBOW**

PRO150					
Size		Dimensions			SDR 11 / PN 6 / 90 PSI
mm	inch	L3	L	Weight (lbs)	Part Number
355	14	7.10	10.00	42.28	5070140
400	16	8.75	12.00	53.67	5070160
PRO45					
Size		Dimensions			SDR 33 / PN 2 / 30 PSI
mm	inch	L3	L	Weight (lbs)	Part Number
110	4	4.10	5.00	0.75	5153040
160	6	4.75	6.00	1.56	5153060
200	8	4.38	6.00	2.45	5153080
250	10	4.00	6.00	3.81	5153100
315	12	5.50	8.00	20.77	5153120
355	14	7.10	10.00	26.14	5153140
400	16	8.75	12.00	33.34	5153160
450	18	10.33	14.00	28.54	5153180
500	20	11.92	16.00	39.97	5153200

\*Segmented fittings fabricated from pipe.

Proline®  
 PRO45/PRO150 BUTT

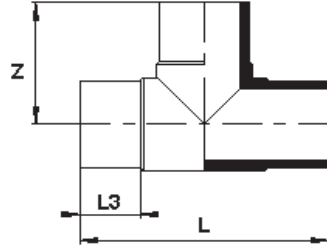
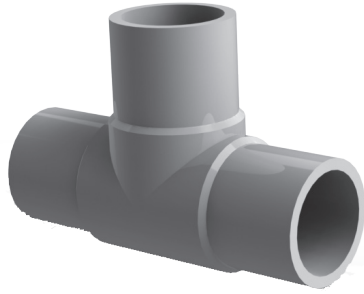


**MOLDED TEE**

PRO150						
Size		Dimensions			SDR 11 / PN 10 / 150 PSI	
mm	inch	Z	L	L3	Weight (lbs)	Part Number
20	1/2	1.34	2.68	0.69	0.02	5011005
25	3/4	1.57	3.15	0.81	0.04	5011007
32	1	1.77	3.54	0.81	0.09	5011010
40	1-1/4	1.97	3.94	0.81	0.13	5011012
50	1-1/2	2.36	4.72	0.91	0.24	5011015
63	2	2.83	5.67	0.98	0.49	5011020
75	2-1/2	2.95	5.98	0.59	0.86	5011025
90	3	4.13	8.39	1.50	1.52	5011030
110	4	4.80	9.96	2.01	2.65	5011040
125	4-1/2	5.51	11.02	2.05	3.74	5011045
140	5	5.98	12.01	2.09	5.24	5011050
160	6	6.81	13.62	2.24	7.23	5011060
180	7	7.32	14.65	2.24	9.66	511070
200	8	7.97	15.94	2.24	13.18	5011080
225	9	8.76	17.52	2.24	18.08	5011090
250	10	9.25	18.50	2.83	23.94	5011100
280	11	10.63	21.26	3.15	34.40	5011110
315	12	10.83	21.65	3.15	42.15	5011120
355	14	13.58	27.17	4.13	67.55	5011140
400	16	13.98	27.56	4.06	83.69	5011160
450	18	17.72	35.23	5.12	138.89	5011180
500	20	17.72	35.28	5.12	156.53	5011200
PRO45						
Size		Dimensions			SDR 33 / PN 3 / 45 PSI	
mm	inch	L3	L	Z	Weight (lbs)	Part Number
110	4	1.38	9.96	4.29	0.99	5109040
160	6	2.24	13.62	6.81	3.75	5109060
180	7	2.24	14.65	7.32	5.20	5109070
200	8	2.24	15.94	7.97	6.92	5109080
250	10	2.76	18.70	9.33	13.44	5109100
315	12	3.15	21.65	10.83	21.25	5109120
355	14	3.94	26.93	13.46	35.94	5109140
400	16	4.09	27.48	13.98	42.44	5109160
450	18	5.12	35.43	17.72	72.75	5109180
500	20	5.12	35.24	17.72	74.21	5109200

Proline® PRO45/PRO150 BUTT



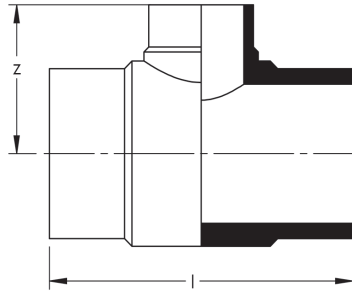


## EXTENDED LEG MOLDED TEE

Size		Dimensions			SDR 11 / PN 10 / 150 PSI	
mm	inch	L3	L	Z	Weight (lbs)	Part Number
20	1/2	2.36	4.29	1.46	0.07	5012005
25	3/4	2.70	4.61	1.57	0.09	5012007
32	1	3.11	5.67	1.77	0.13	5012010
40	1-1/4	3.64	6.61	2.01	0.24	5012012
50	1-1/2	4.27	7.44	2.24	0.42	5012015
63	2	5.10	9.02	2.60	0.82	5012020
75	2-1/2	5.91	10.24	2.80	1.34	5012025
90	3	6.61	11.42	3.23	2.09	5012030
110	4	7.56	12.60	3.39	3.35	5012040
125	4-1/2	8.58	13.90	3.62	4.67	5012045*
140	5	9.49	14.96	3.86	6.08	5012050*
160	6	10.30	16.06	3.94	8.86	5012060
180	7	11.44	20.79	5.43	14.68	5012070*
200	8	12.54	19.68	4.57	17.06	5012080
225	9	13.90	24.41	5.75	23.26	5012090*
250	10	12.09	24.80	5.83	31.83	5012100
280	11	13.23	27.32	6.30	44.80	5012110*
315	12	14.65	29.92	6.70	61.28	5012120

\*NON STANDARD STOCK

Proline®  
 PRO45/PRO150 BUTT

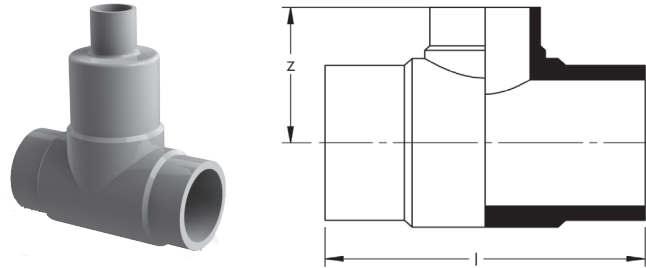


**REDUCING TEE**

Size		Dimensions		SDR 11 / PN 10 / 150 PSI	
mm	inch	l	z	Weight (lbs)	Part Number
63 x 50	2 x 1-1/2	8.66	4.06	0.67	5013251
75 X 32	2-1/2 X 1	10.08	4.06	1.10	5013289
75 X 50	2-1/2 X 1-1/2	9.96	4.45	1.17	5013291
75 X 63	2-1/2 X 2	10.24	4.61	1.19	5013292
90 x 32	3 x 1*	8.39	3.35	1.23	5013336
90 x 50	3 x 1-1/2*	8.39	3.54	1.23	5013337
90 x 63	3 x 2	10.83	5.39	1.65	5013338
90 x 75	3 x 2-1/2	10.94	5.43	1.68	5013339
110 x 32	4 x 1*	9.60	3.70	2.00	5013401
110 x 50	4 x 1-1/2*	9.60	4.06	2.09	5013415
110 x 63	4 x 2	12.40	6.26	2.67	5013420
110 x 75	4 x 2-1/2	12.40	6.18	2.60	5013421
110 x 90	4 x 3	12.40	6.10	2.69	5013422
160 x 63	6 x 2	13.66	6.89	5.67	5013530
160 x 75	6 x 2-1/2	13.70	7.05	5.78	5013529
160 x 90	6 x 3	13.74	7.17	5.82	5013531
160 x 110	6 x 4	15.75	7.95	7.01	5013532
180 x 110	7 X 4	18.26	8.86	10.14	5013540
200 x 63	8 x 2	21.65	8.86	14.79	5013581
200 x 90	8 x 3	22.05	8.94	14.82	5013582
200 x 110	8 x 4	22.01	9.65	15.52	5013583
200 x 160	8 x 6	21.65	10.43	18.39	5013585
225 x 90	9 X 3	17.95	8.90	14.68	5013604
225 x 110	9 X 4	17.95	8.90	14.68	5013607
225 x 160	9 x 6*	19.61	9.84	18.17	5013606
225 x 180	9 X 7	21.97	11.02	20.29	5013609
250 x 110	10 x 4	17.72	7.76	16.98	5013626
250 x 160	10 x 6	18.27	8.62	17.73	5013627
250 x 200	10 X 8	24.80	11.57	31.00	5013628
315 x 110	12 x 4	21.85	11.42	33.69	5013658
315 x 160	12 x 6	23.03	12.40	36.60	5013659
315 x 225	12 x 9	25.59	13.19	45.37	5013670
315 x 250	12 x 10	26.77	13.39	48.15	5013673

\*Fittings are short spigot style

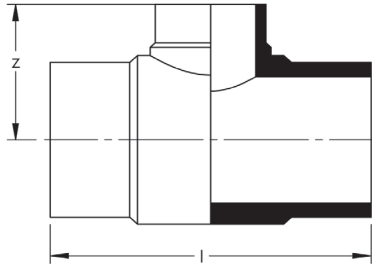
Proline® PRO45/PRO150 BUTT



## FABRICATED REDUCING TEE

Size		Dimensions		PRO150 x PRO150 SDR11	PRO45 x PRO150 SDR33 x 11	PRO45 x PRO45 SDR 33
mm	inch	L	Z	Part Number	Part Number	Part Number
50 20	1-1/2 x 1/2	4.72	5.31	5034208	N/A	N/A
50 X 25	1-1/2 x 3/4	4.72	5.31	5034210	N/A	N/A
50 X 32	1-1/2 x 1	4.72	5.31	5034211	N/A	N/A
63 x 20	2 x 1/2	5.67	5.83	5034246	N/A	N/A
63 x 25	2 x 3/4	5.67	5.83	5034248	N/A	N/A
63 x 32	2 x 1	5.67	5.83	5034249	N/A	N/A
63 x 40	2 x 1-1/4	5.67	5.83	5034250	N/A	N/A
63 x 50	2 x 1-1/2	5.67	5.83	5034251	N/A	N/A
90 x 20	3 x 1/2	8.39	7.13	5034332	N/A	N/A
90 x 25	3 x 3/4	8.39	7.13	5034333	N/A	N/A
90 x 32	3 x 1	8.39	7.13	5034336	N/A	N/A
90 x 40	3 x 1-1/4	8.39	7.13	5034335	N/A	N/A
90 x 50	3 x 1-1/2	8.39	7.13	5034337	N/A	N/A
90 x 63	3 x 2	8.39	7.13	5034338	N/A	N/A
110 x 20	4 x 1/2	9.96	7.80	5034399	5134399	N/A
110 x 25	4 x 3/4	9.96	7.80	5034404	5134404	N/A
110 x 32	4 x 1	9.96	7.80	5034401	5134401	N/A
110 x 40	4 x 1-1/4	9.96	7.80	5034412	5134412	N/A
110 x 50	4 x 1-1/2	9.96	7.80	5034415	5134415	N/A
110 x 63	4 x 2	9.96	7.80	5034420	5134420	5114420
110 x 90	4 x 3	9.96	7.80	5034422	5134422	5114422
160 x 20	6 x 1/2	13.62	9.81	5034512	5134512	N/A
160 x 25	6 x 3/4	13.62	9.81	5034514	5134514	N/A
160 x 32	6 x 1	13.62	9.81	5034516	5134516	N/A
160 x 40	6 x 1-1/4	13.62	9.81	5034519	5134519	N/A
160 x 50	6 x 1-1/2	13.62	9.81	5034523	5134523	N/A
160 x 63	6 x 2	13.62	9.81	5034530	5134530	5114530
160 x 90	6 x 3	13.62	9.81	5034531	5134531	5114531
160 x 110	6 x 4	13.62	9.81	5034532	5134532	5114532

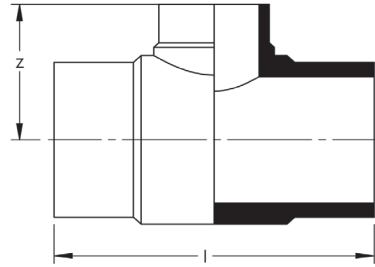
Proline®  
 PRO45/PRO150 BUTT



**FABRICATED REDUCING TEE**

Size		Dimensions		PRO150 x PRO150 SDR11	PRO45 x PRO150 SDR33 x 11	PRO45 x PRO45 SDR 33
mm	inch	L	Z	Part Number	Part Number	Part Number
200 x 20	8 x 1/2	15.94	10.97	5034569	5134569	N/A
200 x 25	8 x 3/4	15.94	10.97	5034570	5134570	N/A
200 x 32	8 x 1	15.94	10.97	5034571	5134571	N/A
200 x 40	8 x 1-1/4	15.94	10.97	5034565	5134565	N/A
200 x 50	8 x 1-1/2	15.94	10.97	5034580	5134580	N/A
200 x 63	8 x 2	15.94	10.97	5034581	5134581	5114581
200 x 90	8 x 3	15.94	10.97	5034582	5134582	5114582
200 x 110	8 x 4	15.94	10.97	5034583	5134583	5114583
200 x 160	8 x 6	15.94	10.97	5034585	5134585	5114585
225 x 160	9 x 6	17.52	11.76	5034606*	5134606*	5114606*
250 x 20	10 x 1/2	18.50	12.25	5034621	5134621	N/A
250 x 25	10 x 3/4	18.50	12.25	5034622	5134622	N/A
250 x 32	10 x 1	18.50	12.25	5034623	5134623	N/A
250 x 40	10 x 1-1/4	18.50	12.25	5034617	5134617	N/A
250 x 50	10 x 1-1/2	18.50	12.25	5034618	5134618	N/A
250 x 63	10 x 2	18.50	12.25	5034624	5134624	5114624
250 x 90	10 x 3	18.50	12.25	5034625	5134625	5114625
250 x 110	10 x 4	18.50	12.25	5034626	5134626	5114626
250 x 160	10 x 6	18.50	12.25	5034627	5134627	5114627
250 x 200	10 x 8	18.50	12.25	5034628	5134628	5114628

Proline®  
PRO45/PRO150 BUTT

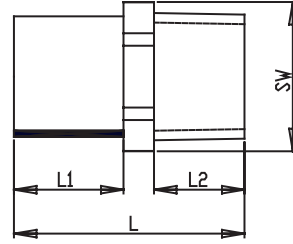
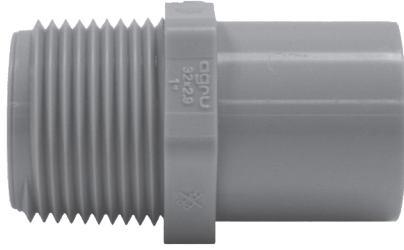


### FABRICATED REDUCING TEE (Continued)

Size		Dimensions		PRO150 x PRO150 SDR11	PRO45 x PRO150 SDR33 x 11	PRO45 x PRO45 SDR 33
mm	inch	L	Z	Part Number	Part Number	Part Number
315 x 20	12 x 1/2	21.65	13.83	5034651	5134651	N/A
315 x 25	12 x 3/4	21.65	13.83	5034652	5134652	N/A
315 x 32	12 x 1	21.65	13.83	5034653	5134653	N/A
315 x 40	12 x 1-1/4	21.65	13.83	5034654	5134654	N/A
315 x 50	12 x 1-1/2	21.65	13.83	5034655	5134655	N/A
315 x 63	12 x 2	21.65	13.83	5034656	5134656	5114656
315 x 90	12 x 3	21.65	13.83	5034657	5134657	5114657
315 x 110	12 x 4	21.65	13.83	5034658	5134658	5114658
315 x 160	12 x 6	21.65	13.83	5034659	5134659	5114659
315 x 200	12 x 8	21.65	13.83	5034660	5134660	5114660
315 x 250	12 x 10	21.65	13.83	5034673	5134673	5114673
355 x 20	14 x 1/2	27.17	16.58	5034692	5134692	N/A
355 x 25	14 x 3/4	27.17	16.58	5034693	5134693	N/A
355 x 32	14 x 1	27.17	16.58	5034694	5134694	N/A
355 x 40	14 x 1-1/4	27.17	16.58	5034695	5134695	N/A
355 x 50	14 x 1-1/2	27.17	16.58	5034696	5134696	N/A
355 x 63	14 x 2	27.17	16.58	5034697	5134697	5114697
355 x 90	14 x 3	27.17	16.58	5034698	5134698	5114698
355 x 110	14 x 4	27.17	16.58	5034699	5134699	5114699
355 x 160	14 x 6	27.17	16.58	5034700	5134700	5114700
355 x 200	14 x 8	27.17	16.58	5034701	5134701	5114701
355 x 250	14 x 10	27.17	16.58	5034702	5134702	5114702
355 x 315	14 x 12	27.17	16.58	5034705	5134705	5114705
400 x 63	16 x 2	27.56	16.98	5034722	5134722	5114722
400 x 90	16 x 3	27.56	16.98	5034723	5134723	5114723
400 x 110	16 x 4	27.56	16.98	5034714	5134714	5114714
400 x 160	16 x 6	27.56	16.98	5034715	5134715	5114715
400 x 200	16 x 8	27.56	16.98	5034716	5134716	5114716
400 x 250	16 x 10	27.56	16.98	5034719	5134719	5114719
400 x 315	16 x 12	27.56	16.98	5034721	5134721	5114721
400 x 355	16 x 14	27.56	16.98	5034724	5134724	5114724

Consult Asahi/America for operating pressures

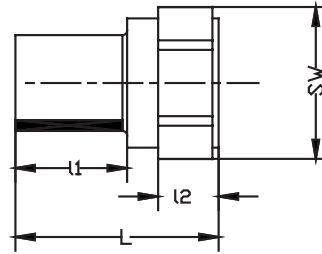
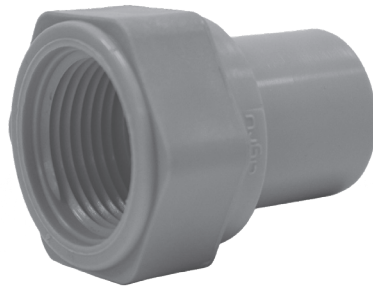
Proline®  
PRO45/PRO150 BUTT



**MALE ADAPTER**

Size		Dimensions					SDR 11 / PN 10 / 150 PSI	
mm	inch	L	L1	L2	SW	NPT-Thread	Weight (lbs)	Part Number
20	1/2	1.81	0.75	0.71	0.87	1/2"	0.02	5028005
25	3/4	2.01	0.87	0.79	1.06	3/4"	0.02	5028007
32	1	2.40	1.10	0.94	1.42	1"	0.07	5028010
40	1-1/4	2.60	1.14	1.02	1.81	1 1/4"	0.09	5028012
50	1-1/2	2.91	1.26	1.10	2.17	1 1/2"	0.13	5028015
63	2	3.15	1.38	1.22	2.56	2"	0.20	5028020
90	3 *	4.00	1.00	1.63	3.54	3"	0.41	5028030
110	4 *	4.00	1.00	1.73	4.50	4"	0.64	5028040

Rated at 5psi and machined.

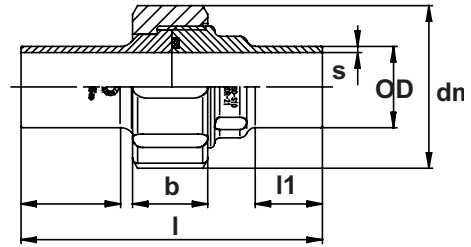


**FEMALE ADAPTER**

Size		Dimensions					SDR 11 / PN 10 / 150 PSI	
mm	inch	L	L1	L2	SW	NPT-Thread	Weight (lbs)	Part Number
20	1/2	1.77	0.83	0.63	1.26	1/2"	0.03	5030005
25	3/4	1.97	0.98	0.67	1.61	3/4"	0.05	5030007
32	1	2.28	1.18	0.79	1.81	1"	0.08	5030010
40	1-1/4	2.44	1.18	0.94	2.17	1 1/4"	0.13	5030012
50	1-1/2	2.68	1.34	0.94	2.76	1 1/2"	0.21	5030015
63	2	2.95	1.42	1.10	3.35	2"	0.33	5030020
90	3 *	4.00	1.63	2.37	4.30	3"	0.64	5030030
110	4 *	4.00	1.73	2.27	5.43	4"	0.81	5030040

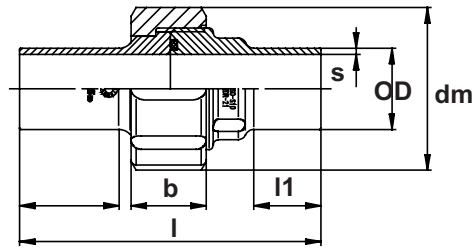
Rated at 5psi and machined.

Proline® PRO45/PRO150 BUTT



**UNION - FKM**

Size		Dimensions					SDR 11 / PN 10 / 150 PSI	
mm	inch	s	l	l1	dm	b	Weight (lbs)	Part Number
20	1/2	0.098	4.21	0.94	1.85	0.94	0.11	5017005
25	3/4	0.106	4.40	0.94	2.24	1.02	0.18	5017007
32	1	0.114	4.69	0.98	2.52	1.18	0.24	5017010
40	1-1/4	0.146	4.92	0.98	3.07	1.22	0.37	5017012
50	1-1/2	0.181	5.12	0.98	3.50	1.38	0.53	5017015
63	2	0.228	5.35	0.98	4.29	1.54	0.86	5017020
75	2-1/2	0.268	5.20	1.10	5.12	1.57	1.31	5017025
90	3	0.323	5.24	1.40	5.12	1.57	1.34	5017030

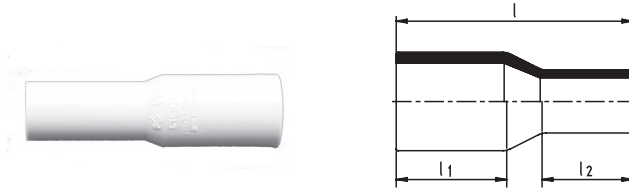


**UNION - EPDM\***

Size		Dimensions					SDR 11 / PN 10 / 150 PSI	
mm	inch	s	l	l1	dm	b	Weight (lbs)	Part Number
20	1/2	0.098	4.21	0.94	1.85	0.94	0.11	5015005
25	3/4	0.106	4.40	0.94	2.24	1.02	0.18	5015007
32	1	0.114	4.69	0.98	2.52	1.18	0.24	5015010
40	1-1/4	0.146	4.92	0.98	3.07	1.22	0.37	5015012
50	1-1/2	0.181	5.12	0.98	3.50	1.38	0.53	5015015
63	2	0.228	5.35	0.98	4.29	1.54	0.86	5015020
90	3	0.323	5.24	1.40	5.12	1.57	1.34	5015030

\*NON STANDARD STOCK

Proline®  
PRO45/PRO150 BUTT



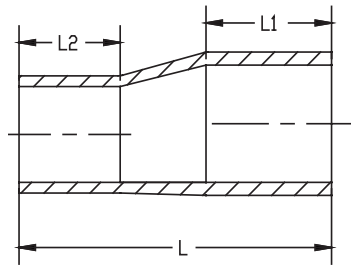
**EXTENDED LEG CONCENTRIC REDUCER**

Size		Description			SDR 11 / PN 10 / 150 PSI	
mm	inch	l1	l2	l	Weight (lbs)	Part Number
25 x 20	3/4 x 1/2	1.57	1.61	3.43	0.02	5038101
32 x 20	1 x 1/2	1.69	1.54	3.62	0.04	5038130
32 x 25	1 x 3/4	1.73	1.54	3.62	0.04	5038131
40 x 20	1-1/4 x 1/2	1.89	1.54	4.02	0.09	5038166
40 x 25	1-1/4 x 3/4	1.89	1.54	4.02	0.09	5038167
40 x 32	1-1/4 x 1	1.89	1.77	4.02	0.09	5038168
50 x 25	1-1/2 x 3/4	2.17	1.73	4.65	0.11	5038210
50 x 32	1-1/2 x 1	2.32	1.81	4.65	0.13	5038211
50 x 40	1-1/2 x 1-1/4	2.24	1.93	4.96	0.15	5038212
63 x 25	2 x 3/4	2.20	1.93	4.96	0.16	5038248
63 x 32	2 x 1	2.52	1.93	5.35	0.22	5038249
63 x 40	2 x 1-1/4	2.32	1.97	5.04	0.22	5038250
63 x 50	2 x 1-1/2	2.60	2.32	5.91	0.29	5038251
75 x 50	2-1/2 x 1-1/2	2.52	2.28	5.83	0.35	5038291
75 x 63	2-1/2 x 2	2.56	2.32	5.87	0.42	5038292
90 x 63	3 x 2	2.83	2.36	6.18	0.55	5038338
90 x 75	3 x 2-1/2	2.95	2.48	6.42	0.62	5038339
110 x 63	4 x 2	3.27	2.48	7.09	0.88	5038420
110 x 90	4 x 3	3.27	2.95	7.09	1.08	5038422
125 X 63	4-1/2 X 2	3.43	2.40	7.36	1.17	5038426
125 X 90	4-1/2 X 3	3.46	2.95	7.48	1.34	5038427
125 x 110	4-1/2 x 4	3.50	3.23	7.87	1.54	5038428
140 X 110	5 X 4	1.38	1.10	3.94	0.37	5038466
140 X 125	5 X 4-1/2	3.74	3.54	8.46	2.07	5038505
160 x 90	6 x 3	4.02	2.91	8.74	2.20	5038531
160 x 110	6 x 4	3.86	3.46	8.86	2.47	5038532
160 x 150	6 x 5	3.98	3.78	9.02	2.87	5038533
180 X 110	7 X 4	1.77	1.77	6.18	2.21	5038540
180 X 160	7 x 6	5.16	4.25	10.87	4.41	5038543
200 x 160	8 x 6	4.41	4.02	9.92	4.76	5038585
225 X 160	9 x 6	5.04	3.98	10.63	4.81	5038606
250 X 160	10 x 6	6.10	4.45	12.48	8.55	5038627
250 X 200	10 x 8	6.10	4.92	12.36	9.26	5038628
250 X 225	10 x 9	6.02	5.24	12.40	10.01	5038629
280 X 250	11 x 10	6.50	6.10	13.98	13.71	5038647
315 X 200	12 x 8	7.09	5.28	14.96	15.70	5038660
315 X 225	12 X 9	3.15	2.17	8.15	9.44	5038670
315 X 250	12 x 10	6.69	6.10	14.76	17.11	5038673

Proline® PRO45/PRO150 BUTT

\*NON STANDARD STOCK

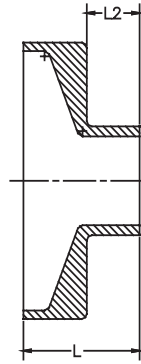
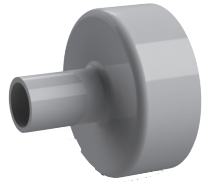




## ECCENTRIC REDUCER

Size		Dimensions			SDR 11 / PN 10 / 150 PSI	
mm	inch	L1	L2	L	Weight (lbs)	Part Number
25 x 20	3/4 x 1/2	2.00	1.50	4.05	0.04	5037101
40 x 25	1-1/4 x 3/4	2.36	1.57	4.96	0.10	5037167
40 x 32	1-1/4 x 1	2.32	1.73	4.92	0.09	5037168
50 x 32	1-1/2 x 1	2.80	1.77	6.14	0.14	5037211
50 x 40	1-1/2 x 1-1/4	2.80	1.93	6.18	0.16	5037212
63 x 32	2 x 1	2.95	1.77	6.97	0.21	5037249
63 x 40	2 x 1-1/4	2.99	1.93	6.97	0.23	5037250
63 x 50	2 x 1-1/2	2.99	2.20	6.97	0.29	5037251
75 x 50	2-1/2 x 1-1/2	3.30	2.24	7.76	0.35	5037291
75 x 63	2-1/2 x 2	3.26	2.48	7.76	0.41	5037292
90 x 63	3 x 2	3.62	2.52	8.39	0.58	5037338
90 x 75	3 x 2-1/2	3.15	2.76	8.78	0.63	5037339
110 x 63	4 x 2	3.90	2.48	9.72	0.92	5037420
110 x 90	4 x 3	3.89	3.11	9.60	1.07	5037422
125 x 63	4-1/2 x 2	4.13	2.48	10.55	1.73	5037426
125 x 90	4-1/2 x 3	4.17	3.11	10.43	1.89	5037427
125 x 110	4-1/2 x 4	4.06	3.43	10.24	2.04	5037428
160 x 90	6 x 3	4.63	3.11	12.17	2.25	5037531
160 x 110	6 x 4	4.55	3.43	12.17	2.57	5037532
180 x 90	7 x 3	5.06	3.11	13.70	4.67	5037544
180 x 125	7 x 4-1/2	5.33	3.66	13.90	5.25	5037541
180 x 160	7 x 6	5.33	4.09	13.90	5.91	5037543
200 x 160	8 x 6	5.45	4.09	14.68	4.98	5037585
225 X 160	9 x 6	6.08	4.04	15.94	9.26	5037606
225 x 180	9 x 7	6.08	4.37	15.87	9.79	5037609
225 x 200	9 x 8	6.12	4.96	15.87	10.19	5037611
250 x 200	10 x 8	7.09	4.72	17.34	13.27	5037628

Proline®  
 PRO45/PRO150 BUTT

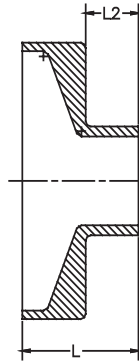
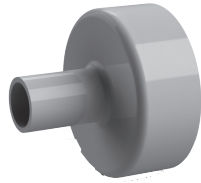


**MACHINED FLUSH REDUCER**

Size		Dimensions		PRO150 x PRO150 SDR11	PRO45 x PRO150 SDR33 x 11	PRO45 x PRO45 SDR 33
mm	inch	L	L2	Part Number	Part Number	Part Number
40 x 20	1-1/4 x 1/2	3.00	1.25	5032166	N/A	N/A
40 x 25	1-1/4 x 3/4	3.00	1.25	5032167	N/A	N/A
40 x 32	1-1/4 x 1	3.00	1.25	5032168	N/A	N/A
50 x 20	1-1/2 x 1/2	3.00	1.25	5032208	N/A	N/A
50 x 25	1-1/2 x 3/4	3.00	1.25	5032210	N/A	N/A
50 x 32	1-1/2 x 1	3.00	1.25	5032211	N/A	N/A
63 x 20	2 x 1/2	3.00	1.25	5032246	N/A	N/A
63 x 25	2 x 3/4	3.00	1.25	5032248	N/A	N/A
63 x 32	2 x 1	3.00	1.25	5032249	N/A	N/A
63 x 40	2 x 1-1/4	3.00	1.25	5032250	N/A	N/A
63 x 50	2 x 1-1/2	3.00	1.25	5032251	N/A	N/A
90 x 20	3 x 1/2	3.00	1.25	5032332	N/A	N/A
90 x 25	3 x 3/4	3.00	1.25	5032333	N/A	N/A
90 x 32	3 x 1	3.00	1.25	5032336	N/A	N/A
90 x 40	3 x 1-1/4	3.00	1.25	5032335	N/A	N/A
90 x 50	3 x 1-1/2	3.00	1.25	5032337	N/A	N/A
90 x 63	3 x 2	3.00	1.25	5032338*	N/A	N/A
110 x 20	4 x 1/2	3.00	1.25	5032399	5132399	N/A
110 x 25	4 x 3/4	3.00	1.25	5032404	5132404	N/A
110 x 32	4 x 1	3.00	1.25	5032401	5132401	N/A
110 x 40	4 x 1-1/4	3.00	1.25	5032412	5132412	N/A
110 x 50	4 x 1-1/2	3.00	1.25	5032415	5132415	N/A
110 x 63	4 x 2	3.00	1.25	5032420*	5132420	5115420
110 X 75	4 X 2-1/2	3/00	1.25	5032421	5132421	-
110 x 90	4 x 3	3.00	1.25	5032422*	5132422	5115422

\* Available as molded.  
Consult Asahi/America for operating pressures.

Proline®  
PRO45/PRO150 BUTT

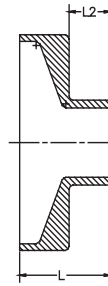
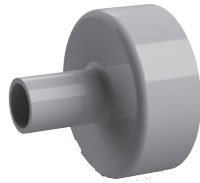


## MACHINED FLUSH REDUCER

Size		Dimensions		PRO150 x PRO150 SDR11	PRO45 x PRO150 SDR33 x 11	PRO45 x PRO45 SDR 33
mm	inch	L	L2	Part Number	Part Number	Part Number
160 x 20	6 x 1/2	3.00	1.25	5032512	5132512	-
160 x 25	6 x 3/4	3.00	1.25	5032514	5132514	-
160 x 32	6 x 1	3.00	1.25	5032516	5132516	-
160 x 40	6 x 1-1/4	3.00	1.25	5032519	5132519	-
160 x 50	6 x 1-1/2	3.00	1.25	5032523	5132523	-
160 x 63	6 x 2	3.00	1.25	5032530	5132530	5115530
160 x 90	6 x 3	3.00	1.25	5032531	5132531	5115531
160 x 110	6 x 4	3.00	1.25	5032532	5132532	5115532
200 x 20	8 x 1/2	3.00	1.25	5032569	5132569	-
200 x 25	8 x 3/4	3.00	1.25	5032570	5132570	-
200 x 32	8 x 1	3.00	1.25	5032571	5132571	-
200 x 40	8 x 1-1/4	3.00	1.25	5032565	5132565	-
200 x 50	8 x 1-1/2	3.00	1.25	5032580	5132580	-
200 x 63	8 x 2	3.00	1.25	5032581	5132581	5115581
200 x 90	8 x 3	3.00	1.25	5032532	5132532	5115582
200 x 110	8 x 4	3.00	1.25	5032583	5132583	5115583
200 x 160	8 x 6	3.00	1.25	5032585	5132585	5115585
225 x 160	9 x 6	3.00	1.25	5032606	5132606	5115606
250 x 20	10 x 1/2	3.00	1.25	5032621	5132621	
250 x 25	10 x 3/4	3.00	1.25	5032622	5132622	
250 x 32	10 x 1	3.00	1.25	5032623	5132623	
250 x 40	10 x 1-1/4	3.00	1.25	5032617	5132617	
250 x 50	10 x 1-1/2	3.00	1.25	5032618	5132618	
250 x 63	10 x 2	3.00	1.25	5032624	5132624	5115624
250 x 90	10 x 3	3.00	1.25	5032625	5132625	5115625
250 x 110	10 x 4	3.00	1.25	5032626	5132626	5115626
250 x 160	10 x 6	3.00	1.25	5032627	5132627	5115627
250 x 200	10 x 8	3.00	1.25	5032628	5132628	5115628
250 x 225	10 x 9	3.00	1.25	5032629	5132629	5115629

\* Available as molded.  
Consult Asahi/America for operating pressures.

Proline®  
PRO45/PRO150 BUTT



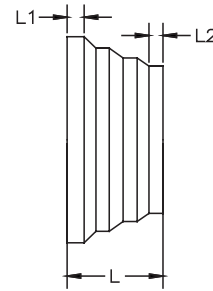
**MACHINED FLUSH REDUCER (Continued)**

Size		Dimensions		PRO150 x PRO150 SDR11	PRO45 x PRO150 SDR33 x 11	PRO45 x PRO45 SDR 33
mm	inch	L	L2	Part Number	Part Number	Part Number
315 x 20	12 x 1/2	3.00	1.25	5032651	5132651	-
315 x 25	12 x 3/4	3.00	1.25	5032652	5132652	-
315 x 32	12 x 1	3.00	1.25	5032653	5132653	-
315 x 40	12 x 1-1/4	3.00	1.25	5032654	5132654	-
315 x 50	12 x 1-1/2	3.00	1.25	5032655	5132655	-
315 x 63	12 x 2	3.00	1.25	5032656	5132656	5115656
315 x 90	12 x 3	3.00	1.25	5032657	5132657	5115657
315 x 110	12 x 4	3.00	1.25	5032658	5132658	5115658
315 x 160	12 x 6	3.00	1.25	5032659	5132659	5115659
315 x 200	12 x 8	3.00	1.25	5032660	5132660	5115660
315 x 250	12 x 10	3.00	1.25	5032673	5132673	5115673
355 x 20	14 x 1/2	3.00	1.25	5032692	5132692	-
355 x 25	14 x 3/4	3.00	1.25	5032693	5132693	-
355 x 32	14 x 1	3.00	1.25	5032694	5132694	-
355 x 40	14 x 1-1/4	3.00	1.25	5032695	5132695	-
355 x 50	14 x 1-1/2	3.00	1.25	5032696	5132696	-
355 x 63	14 x 2	3.00	1.25	5032697	5132697	5115697
355 x 90	14 x 3	3.00	1.25	5032698	5132698	5115698
355 x 110	14 x 4	3.00	1.25	5032699	5132699	5115699
355 x 160	14 x 6	3.00	1.25	5032700	5132700	5115700
355 x 200	14 x 8	3.00	1.25	5032701	5132701	5115701
355 x 250	14 x 10	3.00	1.25	5032702	5132702	5115702
355 x 315	14 x 12	3.00	1.25	5032705	5132705	5115705
400 x 63	16 x 2	3.00	1.25	5032722	5132722	5115722
400 x 90	16 x 3	3.00	1.25	5032723	5132723	5115723
400 x 110	16 x 4	3.00	1.25	5032714	5132714	5115714
400 x 160	16 x 6	3.00	1.25	5032715	5132715	5115715
400 x 200	16 x 8	3.00	1.25	5032716	5132716	5115716
400 x 250	16 x 10	3.00	1.25	5032719	5132719	5115719
400 x 315	16 x 12	3.00	1.25	5032721	5132721	5115721
400 x 355	16 x 14	3.00	1.25	5032724	5132724	5115724
450 X 160	18 x 6	3.00	1.25	5032707	5132707	-
450 X 315	18 x 12	3.00	1.25	5032711	5132711	-
450 X 355	18 x 14	3.00	1.25	5032712	5132712	-
450 X 400	18 x 16	3.00	1.25	5032713	5132713	-
500 X 450	20 x 18	3.00	1.25	5032734	5132734	-

\* Available as molded.

Consult Asahi/America for operating pressures.

Proline®  
PRO45/PRO150 BUTT

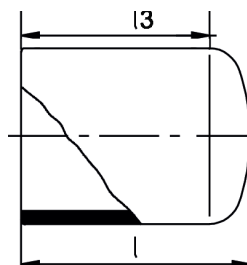


**STEPPED CONCENTRIC REDUCER\***

PRO150						
Size		Dimensions				SDR 11 / PN 10 / 150 PSI
mm	inch	L	L1	L2	Weight (lbs)	Part Number
63 x 16	2 x 3/8	3.82	0.39	0.31	0.09	5035247
110 x 63	4 x 2	2.44	0.35	0.24	0.31	5035420
160 x 110	6 x 4	3.27	0.51	0.51	0.93	5035532
225 x 160	9 x 6	3.54	0.71	0.55	2.07	5035606
315 x 225	12 x 9	5.12	0.98	0.79	6.00	5035670
450 x 315	18 x 12	6.69	1.06	0.79	16.79	5035711
PRO45						
Size		Dimensions				SDR 33 / PN 3.2 / 45 PSI
mm	inch	L	L1	L2	Weight (lbs)	Part Number
110 x 63	4 x 2	2.44	0.35	0.24	0.13	5116420
160 x 110	6 x 4	3.27	0.51	0.51	0.35	5116532
225 x 160	9 x 6	3.54	0.71	0.55	0.86	5116606
315 x 225	12 x 9	5.12	0.98	0.79	2.51	5116670
450 x 315	18 x 12	6.69	1.07	0.79	6.97	5116711
630 x 450	24 x 18	7.40	1.18	0.79	14.57	5116742

\*Stepped concentric reducers require use of flanged adapter in welding machine.

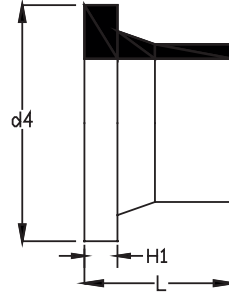
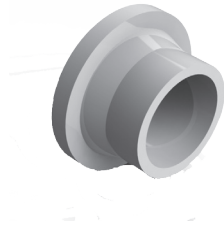
Proline®  
 PRO45/PRO150 BUTT



**EXTENDED LEG END CAP**

Size		Dimensions	SDR 11 / PN 10 / 150 PSI	
mm	inch	l	Weight (lbs)	Part Number
20	1/2	1.85	0.02	5021005
25	3/4	1.93	0.02	5021007
32	1	2.20	0.04	5021010
40	1-1/4	2.52	0.07	5021012
50	1-1/2	2.87	0.11	5021015
63	2	3.31	0.20	5021020
75	2-1/2	3.66	0.31	5021025
90	3	4.29	0.53	5021030
110	4	5.28	1.01	5021040
140	5	5.66	1.74	5021050
160	6	6.57	2.51	5021060
180	7	6.46	3.13	5021070
200	8	7.13	4.32	5021080
225	9	7.95	5.91	5201090
250	10	9.06	8.29	5021100
315	12	10.31	15.45	5021120

**Proline®**  
**PRO45/PRO150 BUTT**



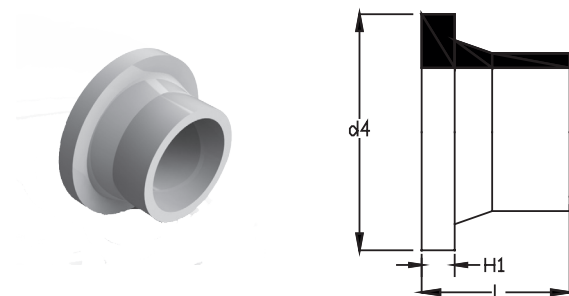
**STUB END\* (FLANGE ADAPTER)**

Size		Dimensions			SDR 11 / PN 10 / 150 PSI	
mm	inch	d4	L	H1	Weight (lbs)	Part Number
20	1/2	1.75	2.05	0.28	0.04	5018005
25	3/4	2.13	1.97	0.35	0.07	5018007
32	1	2.50	1.97	0.39	0.09	5018010
40	1-1/4	2.82	1.97	0.43	0.11	5018012
50	1-1/2	3.25	1.97	0.47	0.18	5018015
63	2	3.95	1.97	0.55	0.27	5018020
75	2-1/2	4.60	1.97	0.63	0.38	5018025
90	3	5.21	3.15	0.67	0.66	5018030
110	4	6.22	3.15	0.71	0.97	5018040
125	4-1/2	6.22	3.15	0.98	1.08	5018045
140	5	7.40	3.15	0.71	0.90	5018050
160	6	8.35	3.62	0.98	2.12	5018060
180	7	8.35	3.74	0.71	0.99	5018070
200	8	10.55	4.33	1.26	4.50	5018080
225	9	10.55	4.45	1.26	4.32	5018090
250	10	12.60	5.20	1.38	7.23	5018100
280	11	12.60	5.04	0.79	3.15	5018110
315	12	14.57	5.35	1.38	10.01	5018120
355	14	16.93	5.91	1.57	14.46	5018140
400	16	18.98	6.10	1.81	19.27	5018160
450	18	23.03	4.72	2.36	26.90	5018180
500	20	23.03	6.89	2.36	32.89	5018200

1/2" – 16" are ANSI style, 5", 7", 9", 11", 18" and 20" are DIN, and all are compatible with ANSI 150 backing rings.  
 4" – 16" are sold standard as chamfered for butterfly valves.

\*Requires backing ring. See page 282-284.

Proline®  
 PRO45/PRO150 BUTT



**STUB END\* (FLANGE ADAPTER)**

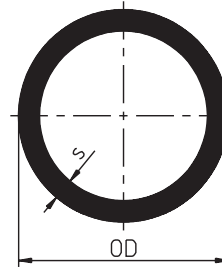
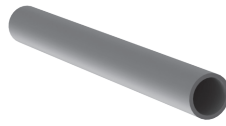
Size		Dimensions			SDR 33 / PN 3.2 / 45 PSI	
mm	inch	d4	L	H1	Weight (lbs)	Part Number
110	4	6.22	3.15	0.71	0.64	5120040
140	5	7.40	3.15	0.71	0.90	5120050
160	6	8.35	3.15	0.71	1.19	5120060
180	7	8.35	3.15	0.71	0.99	5120070
200	8	10.55	4.45	0.71	2.29	5120080
225	9	10.55	4.45	0.71	1.81	5120090
250	10	12.60	5.20	0.79	3.79	5120100
280	11	12.60	5.04	0.79	3.15	5120110
315	12	14.57	5.35	0.79	4.59	5120120
355	14	16.93	4.72	0.91	4.98	5120140
400	16	18.98	4.72	1.02	8.77	5120160
450	18	23.03	4.72	1.30	14.02	5120180
500	20	23.03	4.72	1.30	15.60	5120200
560	22	26.97	4.72	1.38	19.29	5120220
610	24	23.03	4.72	1.30	16.50	5120240

4" – 20" are DIN style, and all are compatible with ANSI 150 backing rings.

\*Requires backing ring. See page 282-284.

Proline®  
PRO45/PRO150 BUTT





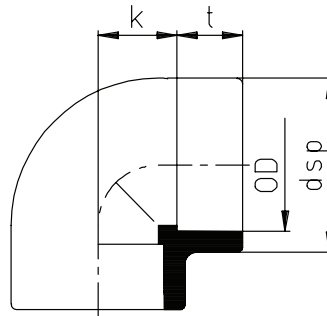
**PIPE\*** 5 meter (16.4') lengths

Size		Dimensions		SDR 11 / PN 10 / 150 PSI
mm	inch	s	Weight (lbs/lth)	Part Number
20	1/2	0.098	1.21	5001005
25	3/4	0.106	1.76	5001007
32	1	0.114	2.87	5001010
40	1-1/4	0.146	4.52	5001012
50	1-1/2	0.181	7.05	5001015
63	2	0.228	11.13	5001020
75	2-1/2	0.268	15.43	5001025
90	3	0.323	22.38	5001030
110	4	0.394	33.18	5001040

\*Pipe is sold in 5 meter lengths only (16.4').

**Socket Fusion requires the use of SDR 11, 150psi PP pipe in all dimensions**

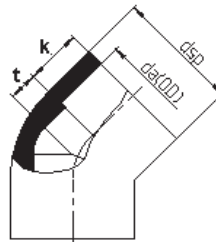
**Proline®**  
**PRO150 SOCKET**



**90 DEGREE ELBOW**

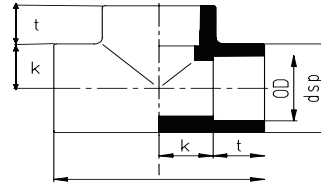
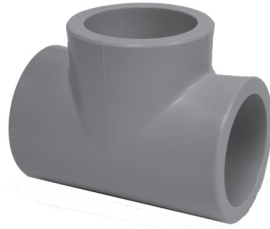
Size		Dimensions			SDR 11 / PN 10 / 150 PSI	
mm	inch	dsp	t	k	Weight (lbs)	Part Number
20	1/2	1.154	0.630	0.551	0.044	5094005
25	3/4	1.382	0.709	0.669	0.066	5094007
32	1	1.701	0.787	0.787	0.110	5094010
40	1-1/4	2.098	0.866	0.984	0.176	5094012
50	1-1/2	2.579	0.984	1.102	0.309	5094015
63	2	3.189	1.102	1.378	0.551	5094020
75	2-1/2	3.620	1.300	1.500	0.710	5094025
90	3	4.430	1.440	1.930	1.260	5094030
110	4	5.240	1.670	2.240	1.900	5094040

Proline® PRO150 SOCKET



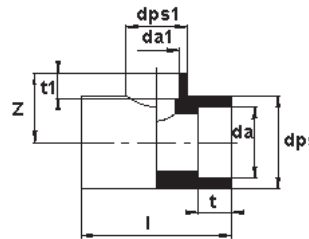
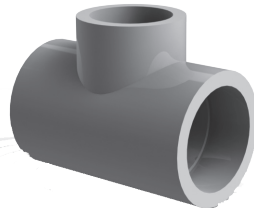
**45 DEGREE ELBOW**

Size		Dimensions			SDR 11 / PN 10 / 150 PSI	
mm	inch	dsp	t	k	Weight (lbs)	Part Number
20	1/2	1.181	0.630	0.433	0.044	5098005
25	3/4	1.378	0.709	0.551	0.066	5098007
32	1	1.693	0.787	0.669	0.088	5098010
40	1-1/4	2.087	0.866	0.827	0.154	5098012
50	1-1/2	2.559	0.945	1.024	0.221	5098015
63	2	3.189	1.142	1.299	0.397	5098020
75	2-1/2	3.620	1.280	1.520	0.710	5098025
90	3	4.450	1.420	1.810	1.260	5098030
110	4	5.310	1.690	2.200	1.900	5098040



**TEE**

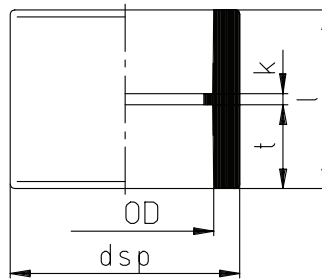
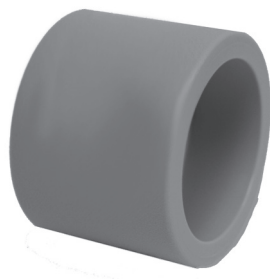
Size		Dimensions				SDR 11 / PN 10 / 150 PSI	
mm	inch	dsp	t	k	L	Weight (lbs)	Part Number
20	1/2	1.146	0.630	0.551	2.36	0.066	5091005
25	3/4	1.386	0.709	0.669	2.76	0.088	5091007
32	1	1.693	0.787	0.827	3.15	0.154	5091010
40	1 -1/4	2.087	0.866	0.984	3.62	0.221	5091012
50	1-1/2	2.559	0.945	1.181	4.23	0.397	5091015
63	2	3.189	1.142	1.437	5.12	0.662	5091020
75	2-1/2	3.660	1.220	1.520	6.08	0.970	5091025
90	3	4.490	1.460	2.010	7.32	1.830	5091030
110	4	5.280	1.730	2.240	8.31	2.430	5091040



**REDUCING TEE**

Size		Dimensions						SDR 11 / PN 10 / 150 PSI	
mm	inch	dsp	dsp1	t	t1	l	z	Weight (lbs)	Part Number
25 x 20	3/4 x 1/2	1.37	1.18	0.71	0.63	2.76	1.26	0.09	5093101
32 x 20	1 x 1/2	1.69	1.18	0.79	0.63	3.14	1.57	0.14	5093130
32 x 25	1 x 3/4	1.69	1.38	0.79	0.71	3.15	1.57	0.14	5093131
40 x 20	1-1/4 x 1/2	2.09	1.17	0.87	0.59	3.62	1.81	0.22	5093166
40 x 25	1-1/4 x 3/4	2.09	1.39	0.87	0.65	3.62	1.84	0.22	5093167
40 x 32	1-1/4 x 1	2.09	1.69	0.87	0.77	3.62	1.77	0.22	5093168
50 x 20	1-1/2 x 1/2	2.57	1.18	0.98	0.63	4.27	1.97	0.35	5093208
50 x 25	1-1/2 x 3/4	2.58	1.40	0.94	0.71	4.33	2.01	0.35	5093210
50 x 32	1-1/2 x 1	2.56	1.69	0.94	0.79	4.27	2.13	0.36	5093211
50 x 40	1-1/2 x 1-1/4	2.56	2.09	0.94	0.87	4.25	2.07	0.37	5093212
63 x 25	2 x 3/4	3.19	1.42	1.14	0.71	5.12	2.56	0.71	5093248
63 x 32	2 x 1	3.19	1.71	1.14	0.79	5.10	2.56	0.70	5093249
63 x 40	2 x 1-1/4	3.19	2.09	1.14	0.87	5.10	2.56	0.70	5093251
63 x 50	2 x 1-1/2	3.19	2.60	1.14	0.94	5.10	2.56	0.71	5093251

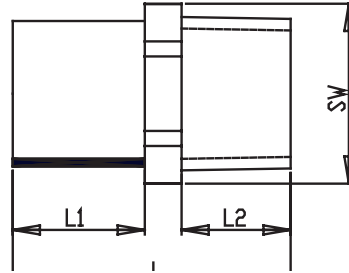
Proline®  
PRO150 SOCKET



**COUPLING**

Size		Dimensions				SDR 11 / PN 10 / 150 PSI	
mm	inch	l	dsp	t	k	Weight (lbs)	Part Number
20	1/2	1.378	1.157	0.630	0.118	0.022	5085005
25	3/4	1.535	1.382	0.709	0.118	0.044	5085007
32	1	1.693	1.701	0.787	0.118	0.066	5085010
40	1 -1/4	1.850	2.039	0.866	0.118	0.088	5085012
50	1-1/2	2.047	2.535	0.945	0.157	0.132	5085015
63	2	2.362	3.201	1.142	0.079	0.243	5085020
75	2-1/2	2.760	3.640	1.320	0.120	0.330	5085025
90	3	3.090	4.530	1.420	0.160	0.660	5085030
110	4	3.620	5.260	1.690	0.240	0.880	5085040

Proline®  
PRO150 SOCKET

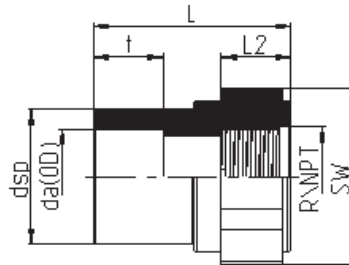


**MALE ADAPTER\* (BUTT)**

Size		Dimensions					SDR 11 / PN 10 / 150 PSI		
mm	inch	S	L	L1	L <sub>2</sub>	SW	NPT-Thread	Weight (lbs/pc)	Part Number
20	1/2	0.098	1.81	0.75	0.71	0.87	1/2"	0.02	5028005
25	3/4	0.106	2.01	0.87	0.79	1.06	3/4"	0.02	5028007
32	1	0.114	2.40	1.10	0.94	1.42	1"	0.07	5028010
40	1 -1/4	0.146	2.60	1.14	1.02	1.81	1-1/4"	0.09	5028012
50	1-1/2	0.181	2.91	1.26	1.10	2.17	1-1/2"	0.13	5028015
63	2	0.228	3.15	1.38	1.22	2.56	2"	0.20	5028020

\*Requires use of socket coupling page 76.

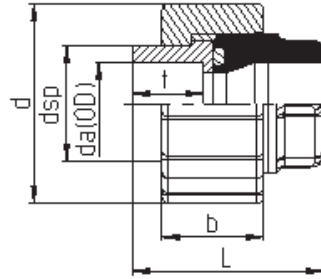
Butt fusion end. For socket welding use socket coupling.



**FEMALE ADAPTER**

Size		Dimensions					SDR 11 / PN 10 / 150 PSI		
mm	inch	L	L <sub>2</sub>	SW	dsp	t	Weight (lbs)	Part Number	
20	1/2	1.77	0.63	1.26	1.14	0.63	0.04	5084005	
25	3/4	1.99	0.71	1.61	1.38	0.71	0.07	5084007	
32	1	2.24	0.79	1.81	1.67	0.79	0.11	5084010	
40	1 -1/4	2.46	0.87	2.17	2.05	0.87	0.15	5084012	
50	1-1/2	2.68	1.02	2.76	2.52	0.94	0.22	5084015	
63	2	2.91	1.18	3.35	3.15	1.14	0.42	5084020	

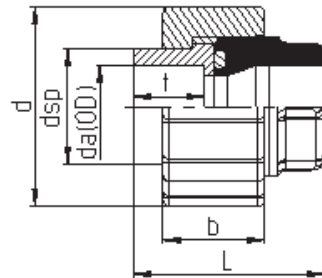
Proline®  
 PRO150 SOCKET



**UNION - FKM**

Size		Dimensions					SDR 11 / PN 10 / 150 PSI	
mm	inch	L	d	b	dsp	t	Weight (lbs)	Part Number
20	1/2	1.772	1.850	0.945	1.075	0.630	0.040	5097005
25	3/4	1.929	2.244	1.024	1.406	0.709	0.060	5097007
32	1	2.087	2.520	1.181	1.626	0.787	0.080	5097010
40	1 -1/4	2.323	3.071	1.220	2.079	0.866	0.130	5097012
50	1-1/2	2.638	3.504	1.378	2.307	0.965	0.180	5097015
63	2	3.110	4.291	1.535	2.898	1.142	0.300	5097020

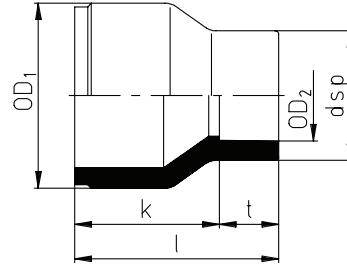
Proline® PRO150 SOCKET



**UNION - EPDM**

Size		Dimensions					SDR 11 / PN 10 / 150 PSI	
mm	inch	L	d	b	dsp	t	Weight (lbs)	Part Number
20	1/2	1.772	1.850	0.945	1.075	0.630	0.040	5092005
25	3/4	1.929	2.244	1.024	1.406	0.709	0.060	5092007
32	1	2.087	2.520	1.181	1.626	0.787	0.080	5092010
40	1 -1/4	2.323	3.071	1.220	2.079	0.866	0.130	5092012
50	1-1/2	2.638	3.504	1.378	2.307	0.965	0.180	5092015
63	2	3.110	4.291	1.535	2.898	1.142	0.300	5092020

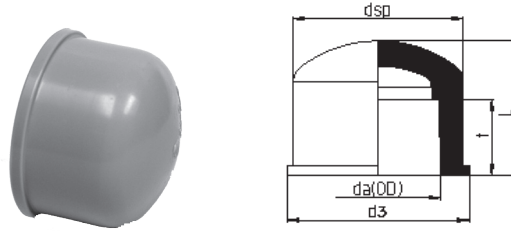
\*EPDM unions are assembled and require additional lead time, non-returnable and non-cancellable



## CONCENTRIC REDUCER

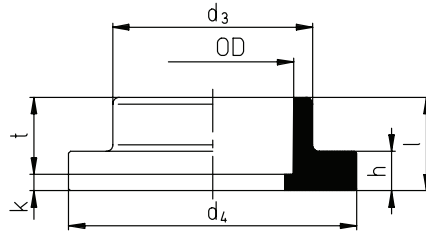
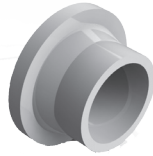
Size		Dimensions			SDR 11 / PN 10 / 150 PSI	
mm	inch	l	k	t	Weight (lbs)	Part Number
25 x 20	3/4 x 1/2	1.18	0.63	1.54	0.022	5095101
32 x 20	1 x 1/2	1.18	0.63	1.79	0.044	5095130
32 x 25	1 x 3/4	1.38	0.71	1.77	0.044	5095131
40 x 20	1-1/4 x 1/2	1.16	0.63	1.97	0.044	5095166
40 x 25	1-1/4 x 3/4	1.36	0.71	1.97	0.044	5095167
40 x 32	1-1/4 x 1	1.69	0.79	1.97	0.066	5095168
50 x 20	1-1/2 x 1/2	1.16	0.63	2.17	0.066	5095208
50 x 25	1-1/2 x 3/4	1.37	0.71	2.17	0.066	5095210
50 x 32	1-1/2 x 1	1.72	0.79	2.17	0.088	5095211
50 x 40	1-1/2 x 1-1/4	2.08	0.87	2.17	0.110	5095212
63 x 25	2 x 3/4	1.37	0.71	2.56	0.132	5095248
63 x 32	2 x 1	1.69	0.79	2.56	0.132	5095249
63 x 40	2 x 1-1/4	2.08	0.87	2.56	0.154	5095250
63 x 50	2 x 1-1/2	2.55	0.94	2.56	0.154	5095251
75 x 63	2-1/2 x 2	3.21	1.14	2.52	0.24	5095292
90 x 63	3 x 2	3.18	1.14	3.46	0.42	5095338
90 x 75	3 x 2-1/2	3.66	1.26	3.41	0.42	5095339
110 x 63	4 x 2	3.20	1.14	3.54	0.57	5095420
110 x 90	4 x 3	4.48	1.46	3.49	0.64	5095422

Large dimension is spigot end, small dimension is socket.



**END CAP**

Size		Dimensions				SDR 11 / PN 10 / 150 PSI	
mm	inch	L	d2	dsp	t	Weight (lbs)	Part Number
20	1/2	1.024	1.260	1.142	0.630	0.022	5081005
25	3/4	1.122	1.496	1.378	0.709	0.022	5081007
32	1	1.378	1.850	1.693	0.787	0.044	5081010
40	1-1/4	1.535	2.283	2.067	0.866	0.066	5081012
50	1-1/2	1.969	2.756	2.539	0.945	0.154	5081015
63	2	2.402	3.425	3.228	1.142	0.287	5081020
75	2-1/2	2.638	3.858	3.642	1.260	0.353	5081025
90	3	3.031	4.685	4.449	1.457	0.617	5081030
110	4	3.661	5.551	5.315	1.654	0.926	5081040



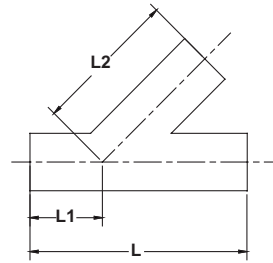
**STUB END\* (FLANGE ADAPTER)**

Size		Dimensions						SDR 11 / PN 10 / 150 PSI	
mm	inch	d3	d4	h	l	k	t	Weight (lbs)	Part Number
20	1/2	1.06	1.75	0.39	0.83	0.20	0.63	0.03	5055005
25	3/4	1.30	2.13	0.39	0.91	0.20	0.71	0.05	5055007
32	1	1.61	2.50	0.39	1.02	0.24	0.79	0.08	5055010
40	1-1/4	1.97	2.81	0.41	1.02	0.16	0.87	0.11	5055012
50	1-1/2	2.42	3.25	0.51	1.18	0.24	0.94	0.15	5055015
63	2	3.02	3.95	0.55	1.34	0.20	1.14	0.20	5055020
75	2-1/2	3.59	4.61	0.63	1.57	0.31	1.26	0.32	5055025
90	3	4.13	5.21	0.67	1.73	0.28	1.46	0.68	5055030
110	4	5.16	6.22	0.71	1.85	0.20	1.65	1.10	5055040

\*Requires backing ring. See page 282-284.

Proline® PRO150 SOCKET





**LATERAL**

Size		Dimensions			SDR 11 / MOP 5 PSI	Dimensions			SDR 33 / MOP 5 PSI
mm	inch	L1	L2	L	Part Number	L	L1	L2	Part Number
50	1-1/2	6	12	18	5051015	-	-	-	-
63	2	6	12	18	5051020	-	-	-	-
90	3	6	12	18	5051030	-	-	-	-
110	4	6	12	18	5051040	18	6	12	5128040
160	6	8	16	24	5051060	24	8	16	5128060
200	8	10	20	30	5051080	30	10	20	5128080
250	10	12	24	36	5051100	36	12	24	5128100
315	12	14	28	42	5051120	42	14	28	5128120
355	14	16	32	48	5051140	48	16	32	5128140
400	16	18	36	54	5051160	54	18	36	5128160

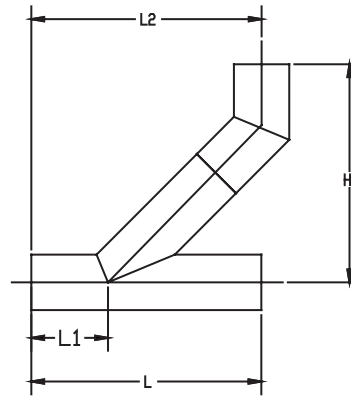
\*Please consult factory for pressure rating on fabricated fittings.

**LATERAL - Molded\***

Size		Dimensions			SDR 11 / MOP 150 PSI
mm	inch	L1	L2	L	Part Number
90	3	4.8	9.1	13.8	5052030
110	4	5.2	9.8	15	5052040
160	6	6.5	14.2	20.7	5052060

\* New product, please check for availability.

Proline®  
 PRO45/PRO150 FABRICATED



**LATERAL WITH 1/8 BEND**

Size		Dimensions				SDR 11 / MOP 5 PSI	Dimensions				SDR 33 / MOP 5 PSI
mm	inch	L	L1	L2	H	Part Number	L	L1	L2	H	Part Number
50	1-1/2	18	6	16.25	13	5062015	-	-	-	-	-
63	2	18	6	16.5	13.5	5062020	-	-	-	-	-
90	3	18	6	17.25	15.25	5062030	-	-	-	-	-
110	4	18	6	17.25	15.5	5062040	18	6	18	15.50	5137040
160	6	24	8	23.5	21.75	5062060	24	8	23.5	21.75	5137060
200	8	30	10	28.5	31.00	5062080	30	10	28.25	31.00	5137080
250	10	36	12	34.75	31.00	5062100	36	12	33	31.00	5137100
315	12	42	14	39.25	36.00	5062120	42	14	39.25	36.00	5137120
355	14	48	16	45.5	39.50	5062140	48	16	45.5	39.50	5137140
400	16	54	18	51.75	45.75	5062160	54	18	51.75	45.75	5137160

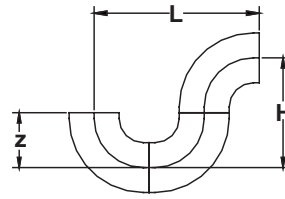
\*Please consult factory for pressure rating on fabricated fittings.

**LATERAL WITH 1/8 BEND- Molded\***

Size		Dimensions				SDR 11 / MOP 150 PSI
mm	inch	L	L1	L2	H	Part Number
90	3	13.8	4.8	14	13-3/8	5053030
110	4	15	5.2	15	14-1/8	5053040
160	6	20.7	6.6	20.75	20-1/2	5053060

\* New product, please check for availability.

Proline® PRO45/PRO150 FABRICATED

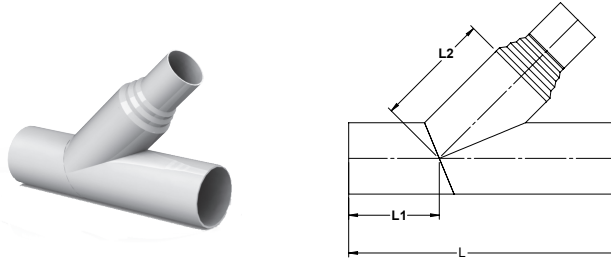


## P-TRAP

Size		Dimensions			SDR 11 / PN 6 / 90 PSI	Dimensions			SDR 33 / PN 2 / 30 PSI
mm	inch	L	Z	H	Part Number	L	Z	H	Part Number
50	1-1/2	8.75	4-1/4	8.125	5064015	-	-	-	-
63	2	10.75	5.00	9.75	5064020	-	-	-	-
90	3	14.5	6-1/2	12.875	5064030	-	-	-	-
110	4	17.125	7-3/8	14.5	5064040	14	4.75	11.25	5139040
160	6	24	10	19.75	5064060	20.5	6.875	16.75	5139060
200	8	21.0	8.66	17.25	5064080	21.0	8.66	17.25	5139080
250	10	27.5	11.42	22.75	5064100	27.5	11.42	22.75	5139100
315	12	32.75	13.39	26.75	5064120	32.75	13.39	26.75	5139120
355	14	33.75	13.39	26.75	5064140	33.75	13.39	26.75	5139140
400	16	34.75	13.58	27.00	5064160	34.75	13.58	27.00	5139160
450	18	43.75	17.52	35.00	5064180	43.75	17.52	35.00	5139180
500	20	44.75	17.52	35.00	5064200	44.75	17.52	35.00	5139200

\*Please consult factory for pressure rating on fabricated fittings.

Proline®  
PRO45/PRO150 FABRICATED



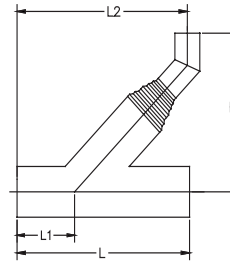
**FABRICATED REDUCING LATERALS**

Size		Dimensions			SDR 11 / MOP 5 PSI	SDR 33 / MOP 5 PSI
mm	inch	L	L1	L2	Part Number	Part Number
90 x 63	3 x 2	18	6	18	5054338	-
110 x 63	4 x 2	18	6	18	5054420	-
110 x 90	4 x 3	18	6	18	5054422	-
160 x 63	6 x 2	24	8	24	5054530	5130530*
160 x 90	6 x 3	24	8	24	5054531	5130531*
160 x 110	6 x 4	24	8	24	5054532	5130532
200 x 63	8 x 2	30	10	30	5054581	-
200 x 90	8 x 3	30	10	30	5054582	-
200 x 110	8 x 4	30	10	30	5054583	5130583
200 x 160	8 x 6	30	10	30	5054585	5130585
250 x 63	10 x 2	36	12	36	5054624	-
250 x 90	10 x 3	36	12	36	5054625	-
250 x 110	10 x 4	36	12	36	5054626	5130626
250 x 160	10 x 6	36	12	36	5054627	5130627
250 x 200	10 x 8	36	12	36	5054628	5130628
315 x 160	12 x 6	42	14	42	5054659	5130659
315 x 200	12 x 8	42	14	42	5054660	5130660

\*SDR33 reducing laterals with 2" and 3" branches are SDR11 branch connections.

**\*Please consult factory for pressure rating on fabricated fittings.**

Proline®  
PRO45/PRO150 FABRICATED

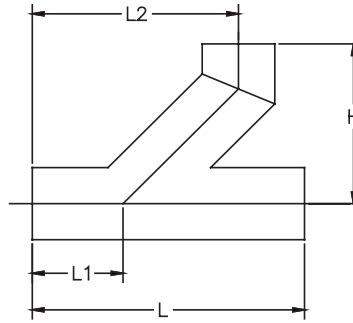


**FABRICATED REDUCING LATERAL WITH 1/8 BEND**

Size		Dimensions				SDR 11 / MOP 5 PSI	SDR 33 / MOP 5 PSI
mm	inch	L	L1	L2	H	Part Number	Part Number
90 x 63	3 x 2	18	6	12	16.00	5056338	-
110 x 63	4 x 2	18	6	12	16.50	5056420	-
110 x 90	4 x 3	18	6	12	17.25	5056422	-
160 x 63	6 x 2	24	8	16	19.00	5056530	-
160 x 90	6 x 3	24	8	16	18.50	5056531	-
160 x 110	6 x 4	24	8	16	22.50	5056532	5122532
200 x 63	8 x 2	30	10	20	22.75	5056581	-
200 x 90	8 x 3	30	10	20	23.25	5056582	-
200 x 110	8 x 4	30	10	20	23.75	5056583	5122583
200 x 160	8 x 6	30	10	20	23.25	5056585	5122585
250 x 63	10 x 2	36	12	24	29.50	5056624	-
250 x 90	10 x 3	36	12	24	27.25	5056625	-
250 x 110	10 x 4	36	12	24	28.25	5056626	5122626
250 x 160	10 x 6	36	12	24	29.25	5056627	5122627
250 x 200	10 x 8	36	12	24	29.00	5056628	5122628
315 x 160	12 x 6	42	14	28	34.25	5056659	5122659
315 x 200	12 x 8	42	14	28	33.75	5056660	5122660

\*Please consult factory for pressure rating on fabricated fittings.

Proline®  
PRO45/PRO150 FABRICATED

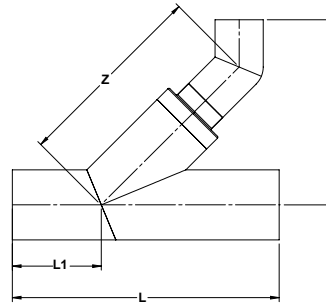


**FABRICATED SANITARY TEE**

Size		Dimensions				SDR 11 / MOP 5 PSI	SDR 33 / MOP 5 PSI
mm	inch	L	L1	L2	H	Part Number	Part Number
63	2	18	6	12	9	5057020	-
90	3	18	6	12	9	5057030	-
110	4	18	6	12	9	5057040	5133040
160	6	24	8	16	12.5	5057060	5133060
200	8	30	10	20	15.5	5057080	5133080
250	10	36	12	24	18.5	5057100	5133100
315	12	42	14	28	21.75	5057120	5133120

\*Please consult factory for pressure rating on fabricated fittings.

Proline®  
PRO45/PRO150 FABRICATED

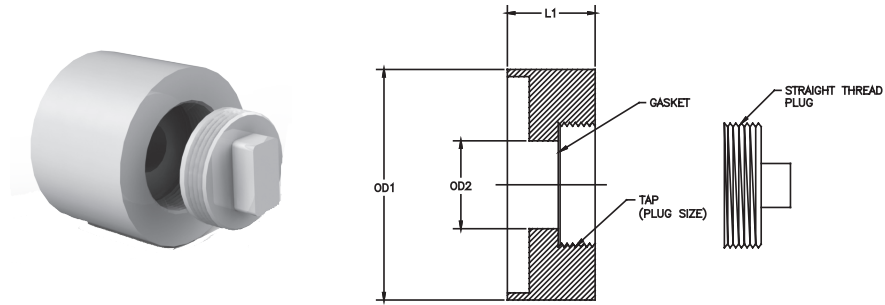


## FABRICATED REDUCING SANITARY TEE

Size		Dimensions				SDR 11 / MOP 5 PSI	SDR 33 / MOP 5 PSI
mm	inch	L	L1	Z	H	Part Number	Part Number
90 x 63	3 x 2	18	6	10.5	10.63	5060338	-
110 x 63	4 x 2	18	6	10.5	10.63	5060420	5135420
110 x 90	4 x 3	18	6	10.5	11.50	5060422	5135422
160 x 63	6 x 2	24	8	15	13.75	5060530	5135530
160 x 90	6 x 3	24	8	15	14.75	5060531	-
160 x 110	6 x 4	24	8	15	14.88	5060532	5135532
200 x 63	8 x 2	30	10	17	15.13	5060581	-
200 x 90	8 x 3	30	10	17	16.13	5060582	-
200 x 110	8 x 4	30	10	17	17.00	5060583	5135583
200 x 160	8 x 6	30	10	17	20.25	5060585	5135585
250 x 63	10 x 2	36	12	20	17.25	5060624	-
250 x 90	10 x 3	36	12	20	18.25	5060625	-
250 x 110	10 x 4	36	12	21	19.13	5060626	5135626
250 x 160	10 x 6	36	12	21	21.00	5060627	5135627
250 x 200	10 x 8	36	12	24	23.63	5060628	5135628
315 x 160	12 x 6	42	14	28	26.00	5060659	5135659
315 x 200	12 x 8	42	14	29	27.25	5060660	5135660

\*Please consult factory for pressure rating on fabricated fittings.

Proline®  
PRO45/PRO150 FABRICATED



### CLEANOUT WITH PLUG

Size		Dimensions				SDR 11 / MOP 5 PSI	SDR 33 / MOP 5 PSI
mm	inch	OD1	L1	OD2	TAP DEPTH	Part Number	Part Number
50	1-1/2	1.96	3	0.25	0.5	5066015	-
63	2	2.48	3	0.50	0.75	5066020	-
90	3	3.54	3	1.00	0.93	5066030	-
110	4	4.33	3	2.00	1.12	5066040	5148040
160	6	6.30	3	2.50	1.26	5066060	5148060
200	8	7.87	3	2.50	1.26	5066080*	5148080*
250	10	9.84	3	2.50	1.26	5066100*	5148100*
315	12	12.40	3	2.50	1.26	5066120*	5148120*

Machined straight threads, 5psi maximum.

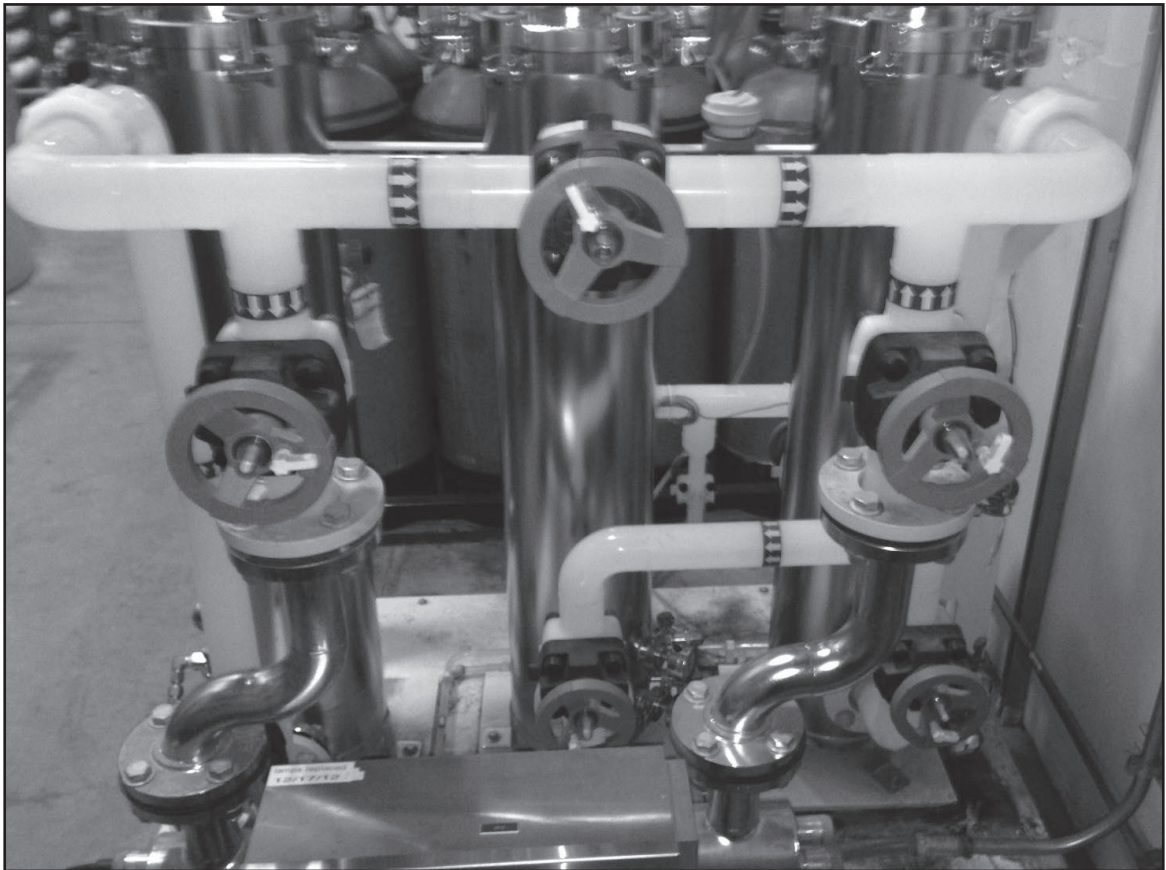
\*NON STANDARD STOCK

**\*Please consult factory for pressure rating on fabricated fittings.**

Proline®  
PRO45/PRO150 FABRICATED



# Super Proline<sup>®</sup> Chem Grade PVDF Single Wall Piping System



Super Proline<sup>®</sup>  
Chemical Grade PVDF

# Super Proline®

Natural Polyvinylidene Fluoride (PVDF)  
Chemical Piping System  
REV:IN0512PV

**Materials:** ASTM D3222 Type II Suspension grade homopolymer. Resin shall comply with FDA Code of Federal Regulators (CFR), Title 21, Chapter 1: Section 177.2510 determining suitability for contact with foodstuff.

**Pipe Production:** Dimensions and tolerances shall exceed ISO 10931 requirement.

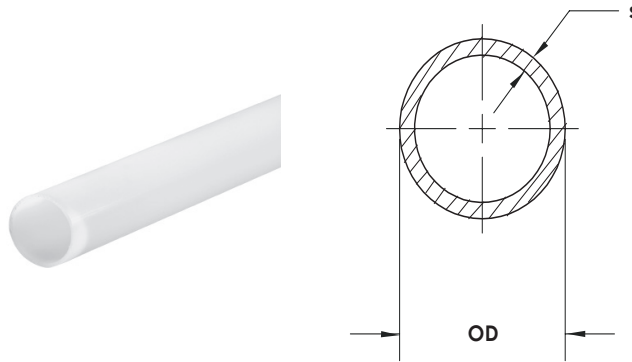
**Fitting Production:** Dimensions and tolerances shall exceed ISO 10931 requirement. Fittings shall be molded with a central injection gate.

**Pressure Rating:** Components shall be pressure rated in accordance with ASTM D2837 and DIN 8077 for hydrostatic design basis. Components shall be manufactured to standard dimensional ratio (SDR) 21 and 33 and others upon request.

Based on continuous service life of 50 years at 68°F (20°C).

**Joining:** Available methods shall be according to the schedule below  
DVS 2208-1 Socket: 1/2" (20mm) through 4" (110mm)  
DVS 2207-15 Contact Butt: 1/2" (20mm) through 16" (400mm)

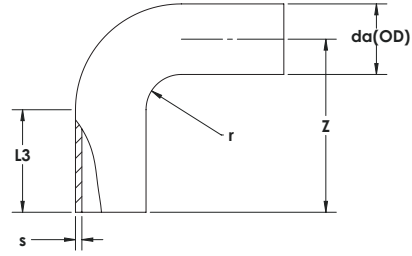
Super Proline®  
Chemical Grade PVDF

**PIPE\*** 5 meter (16.4') lengths

Size		Dimensions SDR 21 / PN 16 / 230 PSI				Dimensions SDR 33 / PN 10 / 150 PSI			
mm	inch	OD	s	Weight (lbs/lth)	Part Number	OD	s	Weight (lbs/lth)	Part Number
20	1/2	0.787	0.075	2.31	5901005	-	-	-	-
25	3/4	0.984	0.075	2.98	5901007	-	-	-	-
32	1	1.260	0.094	4.85	5901010	-	-	-	-
40	1-1/4	1.575	0.094	6.06	5901012	-	-	-	-
50	1-1/2	1.969	0.118	9.37	5901015	-	-	-	-
63	2	2.480	0.118	12.02	5901020	-	-	-	-
75	2-1/2	2.953	0.142	17.09	5901025	-	-	-	-
90	3	3.543	0.169	24.47	5903030	3.543	0.110	16.31	5901030
110	4	4.331	0.209	36.60	5903040	4.331	0.134	24.25	5901040
140	5	5.52	0.264	58.53	5903050	5.521	0.169	38.80	5901050
160	6	6.299	0.303	76.72	5903060	6.299	0.193	50.04	5901060
200	8	7.874	0.378	118.39	5903080	7.874	0.244	79.26	5901080
225	9	8.858	0.425	150.69	5903090	8.858	0.272	98.66	5901090
250	10	9.843	0.469	184.42	5903100	9.843	0.303	122.24	5901100
280	11	11.024	-	-	-	11.024	0.539	152.78	5901110
315	12	12.402	-	-	-	12.402	0.382	193.46	5901120
355	14	-	-	-	-	13.97	0.429	242.51	5901140
400	16	-	-	-	-	15.75	0.484	308.98	5901160

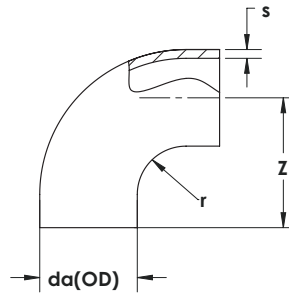
\*Sold in 5m (16.4') lengths only.

Diameter is metric. Inch size provided as nominal only.



**EXTENDED LEG 90 DEGREE ELBOW**

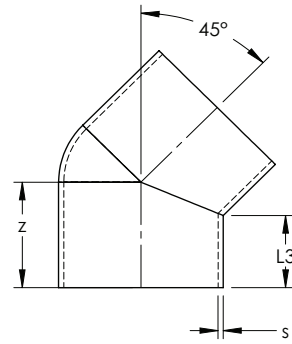
Size		Dimensions				SDR 21 / PN 16 / 230 PSI		SDR 33 / PN 10 / 150 PSI		
mm	inch	z	r	L3	s	Weight (lbs)	Part Number	s	Weight (lbs)	Part Number
20	1/2	2.01	0.79	1.30	0.075	0.04	5902005	-	-	-
25	3/4	2.21	0.98	1.30	0.075	0.09	5902007	-	-	-
32	1	2.48	1.26	1.30	0.094	0.11	5902010	-	-	-
40	1-1/4	2.84	1.58	1.42	0.094	0.18	5902012	-	-	-
50	1-1/2	3.31	1.97	1.42	0.118	0.29	5902015	-	-	-
63	2	3.82	2.48	1.38	0.118	0.44	5902020	-	-	-
75	2-1/2	3.94	2.95	1.10	0.142	0.66	5902025	-	-	-
90	3	4.84	3.54	1.34	0.169	1.15	5902030	0.11	0.86	5929030
110	4	5.59	4.33	1.34	0.209	2.03	5902040	0.134	1.04	5929040
160	6	9.29	6.30	2.87	0.303	6.26	5902060	0.193	4.37	5929060
225	9	11.85	8.86	2.87	0.425	16.00	5902090	0.272	11.20	5929090



**90 DEGREE ELBOW**

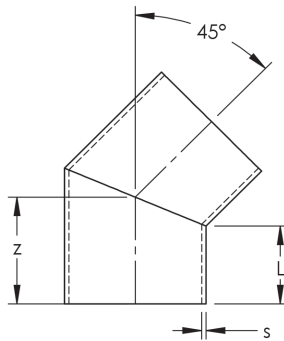
Size		Dimensions		SDR 21 / PN 16 / 230 PSI			SDR 33 / PN 10 / 150 PSI		
mm	inch	z	r	s	Weight (lbs)	Part Number	s	Weight (lbs)	Part Number
160	6	7.131	6.186	0.303	4.50	5910060	0.193	3.26	5907060
200	8	8.550	7.722	0.378	8.38	5910080	0.244	6.08	5907080
225	9	9.567	8.858	0.425	11.62	5910090	0.275	8.11	5907090
250	10	11.308	9.850	0.469	18.10	5910100	0.303	12.63	5907100
315	12	-	-	-	-	-	0.382	22.27	5907120

Super Proline®  
Chemical Grade PVDF



**MOLDED 45 DEGREE ELBOW**

Size		Dimensions			SDR 21 / PN 16 / 230 PSI		SDR 33 / PN 10 / 150 PSI		
mm	inch	z	L3	s	Weight (lbs)	Part Number	s	Weight (lbs)	Part Number
20	1/2	1.694	1.537	0.075	0.04	5914005	-	-	-
25	3/4	1.773	1.576	0.075	0.07	5914007	-	-	-
32	1	2.049	1.812	0.094	0.11	5914010	-	-	-
40	1-1/4	2.285	1.970	0.094	0.18	5914012	-	-	-
50	1-1/2	2.600	2.206	0.118	0.29	5914015	-	-	-
63	2	2.955	2.443	0.118	0.42	5914020	-	-	-
75	2-1/2	1.891	1.261	0.142	0.31	5914025	-	-	-
90	3	2.325	1.418	0.169	0.57	5916030	0.110	0.88	5914030
110	4	2.679	1.773	0.209	1.01	5916040	0.134	1.57	5914040
160	6	4.058	2.561	0.303	3.19	5916060	0.193	2.18	5914060

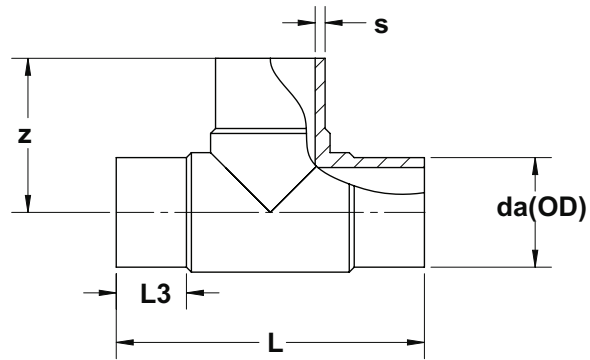


**SEGMENTED 45 DEGREE ELBOW\***

Size		Dimensions			SDR 33 / PN 6 / 90 PSI	
mm	inch	z	L3	s	Weight (lbs)	Part Number
200	8	7.953	7.126	0.378	8.93	6240080
250	10	9.488	8.032	0.469	15.98	6240100
315	12	8.819	8.504	0.528	20.41	6240120

\*Segmented fitting fabricated from pipe.

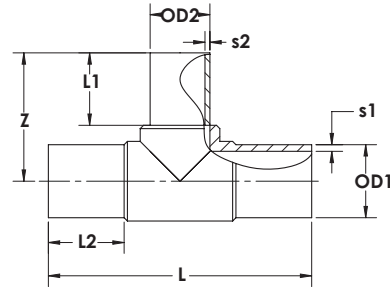
**Super Proline®**  
**Chemical Grade PVDF**



**TEE**

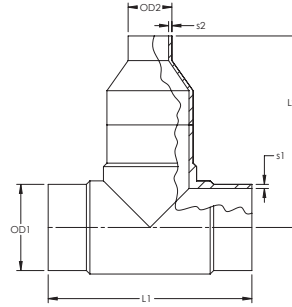
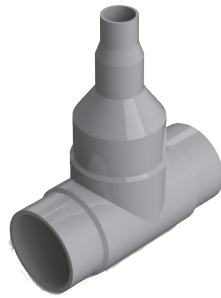
Size		Dimensions				SDR 21 / PN 16 / 230 PSI		SDR 33 / PN 10 / 150 PSI		
mm	inch	z	L	L3	s	Weight (lbs)	Part Number	s	Weight (lbs)	Part Number
20	1/2	1.378	2.756	0.591	0.075	0.04	5918005	-	-	-
25	3/4	1.575	3.150	0.591	0.075	0.09	5918007	-	-	-
32	1	1.772	3.504	0.669	0.094	0.13	5918010	-	-	-
40	1-1/4	1.969	3.937	0.630	0.094	0.20	5918012	-	-	-
50	1-1/2	2.362	4.724	0.906	0.118	0.35	5918015	-	-	-
63	2	2.953	5.866	1.102	0.118	0.57	5918020	-	-	-
75	2-1/2	3.425	6.850	1.102	0.142	0.88	5918025	-	-	-
90	3	3.622	7.126	1.299	0.169	1.39	5921030	0.110	1.04	5918030
110	4	4.331	8.780	1.299	0.209	2.54	5921040	0.134	2.07	5918040
160	6	5.512	10.984	1.772	0.303	5.82	5921060	0.193	4.19	5918060
200	8	8.780	17.559	3.504	0.378	16.16	5921080	0.244	12.57	5918080
225	9	7.685	19.528	3.898	0.425	20.50	5921090	0.272	14.82	5918090
250	10	9.843	19.685	3.150	0.469	25.14	5921100	0.303	18.96	5918100
315	12	10.827	21.850	3.150	-	-	-	0.382	29.99	5918120

Super Proline®  
 Chemical Grade PVDF



## REDUCING TEE

Size		Dimensions						SDR 21 x 21 / PN 16 x 16 / 230 PSI	
mm	inch	z	L	L1	L2	s1	s2	Weight (lbs)	Part Number
63 x 25	2 X 3/4	2.95	5.905	1.142	1.102	0.118	0.075	0.49	5922248
63 x 32	2 x 1	2.913	5.866	1.102	1.063	0.118	0.094	0.49	5922249
90 x 63	3 x 2	5.079	10.354	2.953	2.559	0.169	0.118	1.72	5922338
110 x 63	4 x 2	5.906	12.283	3.346	2.559	0.209	0.118	2.78	5922420
110 x 90	4 x 3	5.906	12.323	3.425	2.953	0.209	0.169	3.02	5922422
160 x 63	6 x 2	6.890	13.228	3.937	2.559	0.303	0.118	6.02	5922530
160 x 90	6 x 3	7.205	13.701	3.819	2.756	0.303	0.169	6.28	5922531
160 x 110	6 x 4	7.283	13.583	3.780	3.189	0.303	0.209	6.50	5922532
Size		Dimensions						SDR 33 x 21 / PN 10 x 16/ 150 PSI	
mm	inch	z	L	L1	L2	s1	s2	Weight (lbs)	Part Number
90 x 63	3 x 2	5.079	10.354	2.953	2.559	0.110	0.118	1.28	5920338
110 x 63	4 x 2	5.906	12.402	3.346	2.559	0.134	0.118	2.03	5920420
160 x 63	6 x 2	6.890	13.583	3.937	2.559	0.193	0.118	4.23	5920530
160 x 90	6 x 3	7.205	13.701	3.819	2.756	0.193	0.169	5.56	5920531
160 x 110	6 x 4	7.283	13.661	3.780	3.189	0.193	0.209	4.72	5920532
Size		Dimensions						SDR 33 x 33 / PN 10 x 10/ 150 PSI	
mm	inch	z	L	L1	L2	s1	s2	Weight (lbs)	Part Number
160 x 90	6 x 3	7.205	13.701	3.780	2.756	0.193	0.110	4.37	5931531
160 x 110	6 x 4	7.283	13.740	3.819	3.150	0.193	0.134	5.95	5931532



**FABRICATED REDUCING TEE\***

Size		Dimensions		SDR 21 / PN 16 / 230 PSI		
mm	inch	L1	L2*	s1	s2	Part Number
25 x 20	3/4 x 1/2	3.15	3.15	0.094	0.075	5922101
32 x 20	1 x 1/2	3.50	3.15	0.094	0.075	5922130
32 x 25	1 x 3/4	3.50	3.50	0.094	0.094	5922131
40 x 20	1-1/4 x 1/2	4.49	4.15	0.118	0.075	5922166
40 x 25	1-1/4 x 3/4	4.49	4.15	0.118	0.075	5922167
40 x 32	1-1/4 x 1	4.49	3.75	0.118	0.094	5922168
50 x 20	1-1/2 x 1/2	4.72	3.75	0.118	0.094	5922208
50 x 25	1-1/2 x 3/4	4.72	3.75	0.118	0.075	5922210
50 x 32	1-1/2 x 1	4.72	3.75	0.118	0.075	5922211
50 x 40	1-1/2 x 1-1/4	4.72	3.9	0.118	0.094	5922212
63 x 25	2 x 3/4	5.86	4.00	0.118	0.118	5922248
63 x 32	2 x 1	-	-	-	-	Molded Available!
63 x 40	2 x 1-1/4	5.86	4.30	0.142	0.094	5922250
63 x 50	2 x 1-1/2	5.86	4.30	0.142	0.118	5922251
75 x 50	2-1/2 x 1-1/2	6.85	6.60	0.142	0.118	5922291
75 x 63	2-1/2 x 2	6.85	6.60	0.169	0.075	5922292
90 x 50	3 x 1-1/2	7.13	6.68	0.169	0.075	5922332
90 x 63	3 x 2	-	-	-	-	Molded Available!
90 x 75	3 x 2-1/2	7.13	7.19	0.169	0.094	5922339
110 x 63	4 x 2	-	-	-	-	Molded Available!
110 x 90	4 x 3	-	-	-	-	Molded Available!
160 x 110	6 x 4	-	-	-	-	Molded Available!
225 x 160	9 x 6	19.61	16.00	0.264	0.094	5922606
250 x 160	10 x 6	19.69	16.80	0.264	0.094	5922627
250 x 225	10 x 9	19.69	16.76	0.134	0.118	5922629
315 x 160	12 x 6	21.85	16.80			-
315 x 250	12 x 10	21.85	17.79			-

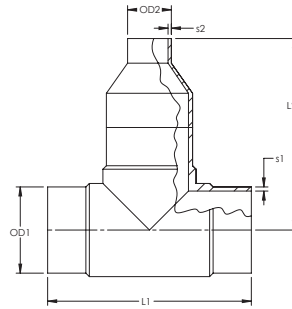
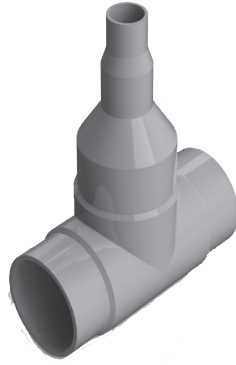
Fabricated from molded tee and molded reducer, non-returnable / non cancelable.

Multiple configurations available, consult factory for pricing.

\*Fabricated dimension tolerance +/- 1/4".

Super Proline®  
Chemical Grade PVDF



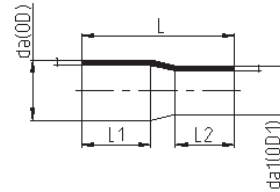


### FABRICATED REDUCING TEE\*

Size		Dimensions		SDR 33 / PN 10 / 150 PSI		
mm	inch	L1	L2*	s1	s2	Part Number
110 x 90	4 x 3	-	-	-	-	<i>Molded Available!</i>
160 x 110	6 x 4	-	-	-	-	<i>Molded Available!</i>
225 x 160	9 x 6	3.937	3.339	0.094	0.075	5931606
250 x 160	10 x 6	3.937	3.339	0.094	0.075	5931627
250 x 225	10 x 9	3.937	3.339	0.094	0.094	5931629
315 x 160	12 x 6	4.724	3.456	0.118	0.075	5931659
315 x 250	12 x 10	4.724	3.456	0.118	0.075	5931630

Fabricated from molded tee and molded reducer, non-returnable / non cancelable.  
Multiple configurations available, consult factory for pricing.

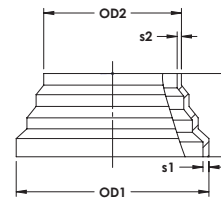
\*Fabricated dimension tolerance +/- 1/4".



**EXTENDED LEG CONCENTRIC REDUCER**

Size		Dimensions			SDR 21 x 21 / PN 16 x 16 / 230 PSI	SDR 33 x 33 / PN 10 x 10 / 150 PSI
mm	inch	L	L1	L2	Part Number	Part Number
25 x 20	3/4 x 1/2	1.97	0.79	0.79	5924101	-
32 x 20	1 x 1/2	1.97	0.73	0.75	5924130	-
32 x 25	1 x 3/4	1.97	0.79	0.79	5924131	-
40 x 20	1-1/4 x 1/2	2.17	0.79	0.79	5924166	-
40 x 25	1-1/4 x 3/4	2.17	0.79	0.79	5924167	-
40 x 32	1-1/4 x 1	2.17	0.79	0.79	5924168	-
50 x 20	1-1/2 x 1/2	2.36	0.95	0.79	5924208	-
50 x 25	1-1/2 x 3/4	2.36	0.95	0.79	5924210	-
50 x 32	1-1/2 x 1	2.36	0.99	0.79	5924211	-
50 x 40	1-1/2 x 1-1/4	2.36	0.99	0.87	5924212	-
63 x 25	2 x 3/4	2.95	0.99	0.79	5924248	-
63 x 32	2 x 1	2.56	0.99	0.71	5924249	-
63 x 40	2 x 1-1/4	2.56	1.02	0.87	5924250	-
63 x 50	2 x 1-1/2	2.56	0.99	0.95	5924251	-
75 x 50	2-1/2 x 1-1/2	5.83	2.49	2.25	5924291	-
75 x 63	2-1/2 x 2	5.87	2.56	2.36	5924292	-
90 x 50	3 x 1-1/2	3.55	1.18	0.99	5924337	-
90 x 63	3 x 2	6.3	2.76	2.33	5924338	-
90 x 75	3 x 2-1/2	6.38	2.96	2.44	5924339	-
110 x 63	4 x 2	4.06	1.3	1.18	5924420	-
110 x 90	4 x 3	7.09	3.11	2.84	5924422	5997422
160 x 110	6 x 4	9.06	3.74	3.51	5924532	5997532
225 x 180	9 x 6	6.30	1.26	1.38	5924606	5997606
250 x 160	10 x 6	7.05	1.42	1.42	5924627	5997627
315 x 160	12 x 6	7.09	1.65	1.46	-	5997659
315 x 250	12 x 10	7.09	1.65	1.46	-	5997630

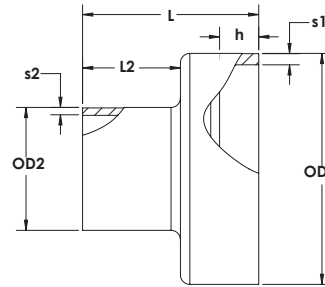
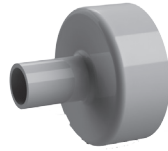
Super Proline®  
Chemical Grade PVDF



**STEPPED CONCENTRIC REDUCER\***

Size		Dimensions			SDR 21 / PN 16 / 230 PSI		SDR 33 / PN 10 / 150 PSI	
mm	inch	L	s1	s2	Weight (lbs)	Part Number	Weight (lbs)	Part Number
63 x 16	2 x 3/8	2.205	0.108	0.075	0.38	5938247	-	-
110 x 63	4 x 2	2.559	0.209	0.118	0.35	5938420	0.29	5937420
160 x 110	6 x 4	3.346	0.193	0.134	-	-	0.73	5937532
225 x 160	9 x 6	3.819	0.272	0.193	-	-	1.74	5937585
315 x 225	12 x 9	5.394	0.382	0.272	-	-	4.45	5937670

\*Stepped concentric reducers require use of flanged adapter in welding machine.

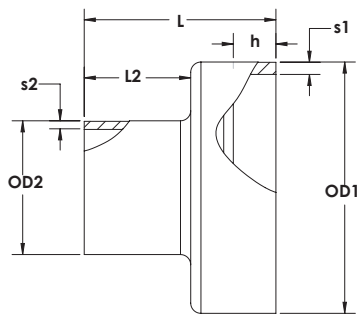
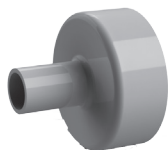


## MACHINED FLUSH REDUCER

Size		Dimensions			SDR 21		
mm	inch	L	L2	h	s1	s2	Part Number
40/20	1-1/4 x 1/2	2.250	1.250	0.500	0.094	0.075	5948166
40/25	1-1/4 x 3/4	2.250	1.250	0.500	0.094	0.075	5948167
40/32	1-1/4 x 1	2.250	1.250	0.500	0.094	0.094	5948168
50/20	1-1/2 x 1/2	2.250	1.250	0.500	0.118	0.075	5948208
50/25	1-1/2 x 3/4	2.250	1.250	0.500	0.118	0.075	5948210
50/32	1-1/2 x 1	2.250	1.250	0.500	0.118	0.094	5948211
50/40	1-1/2 x 1-1/4	2.250	1.250	0.500	0.118	0.094	5948212
63/20	2 x 1/2	2.250	1.250	0.500	0.118	0.075	5948246
63/25	2 x 3/4	2.250	1.250	0.500	0.118	0.075	5948248
63/40	2 x 1-1/4	2.250	1.250	0.500	0.118	0.094	5948250
63/50	2 x 1-1/2	2.250	1.250	0.500	0.118	0.118	5948251
75/32	2-1/2 x 1	2.250	1.250	0.500	0.142	0.094	5948289
75/40	2-1/2 x 1-1/4	2.250	1.250	0.500	0.142	0.094	5948290
75/50	2-1/2 x 1-1/2	2.250	1.250	0.500	0.142	0.118	5948291
75/63	2-1/2 x 2	2.250	1.250	0.500	0.142	0.118	5948292
90/20	3 x 1/2	2.250	1.250	0.500	0.169	0.075	5948332
90/25	3 x 3/4	2.250	1.250	0.500	0.169	0.075	5948333
90/32	3 x 1	2.250	1.250	0.500	0.169	0.094	5948336
90/40	3 x 1-1/4	2.250	1.250	0.500	0.169	0.094	5948335
90/50	3 x 1-1/2	2.250	1.250	0.500	0.169	0.118	5948337
110/20	4 x 1/2	2.250	1.250	0.500	0.209	0.075	5948399
110/25	4 x 3/4	2.250	1.250	0.500	0.209	0.075	5948404
110/32	4 x 1	2.250	1.250	0.500	0.209	0.094	5948401
110/40	4 x 1-1/4	2.250	1.250	0.500	0.209	0.094	5948412
110/50	4 x 1-1/2	2.250	1.250	0.500	0.209	0.118	5948415

Machined items are non-returnable / non-cancelable.  
Consult Asahi/America for pressure rating.

Custom and large sizes available, consult factory.



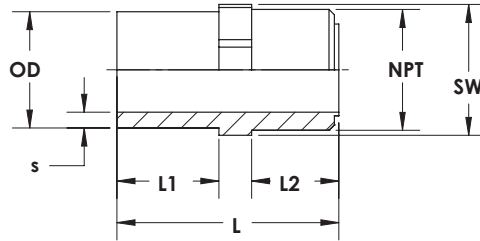
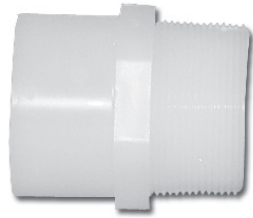
**MACHINED FLUSH REDUCER (CONTINUED)**

Size		Dimensions			SDR 33 x SDR 21		
mm	inch	L	L2	h	s1	s2	Part Number
90/20	3 x 1/2	2.250	1.250	0.500	0.110	0.075	5936332
90/25	3 x 3/4	2.250	1.250	0.500	0.110	0.075	5936333
90/32	3 x 1	2.250	1.250	0.500	0.110	0.094	5936336
90/40	3 x 1-1/4	2.250	1.250	0.500	0.110	0.094	5936335
90/50	3 x 1-1/2	2.250	1.250	0.500	0.110	0.118	5936337
110/20	4 x 1/2	2.250	1.250	0.500	0.135	0.075	5936399
110/25	4 x 3/4	2.250	1.250	0.500	0.135	0.075	5936404
110/32	4 x 1	2.250	1.250	0.500	0.135	0.094	5936401
110/40	4 x 1-1/4	2.250	1.250	0.500	0.135	0.094	5936412
110/50	4 x 1-1/2	2.250	1.250	0.500	0.135	0.118	5936415
160/32	6 x 1	2.250	1.250	0.500	0.193	0.094	5936516
200/63	8 x 2	2.250	1.250	0.500	0.244	0.118	5936581
200/90	8 x 3	2.250	1.250	0.500	0.244	0.169	5936582
200/110	8 x 4	2.250	1.250	0.500	0.244	0.209	5936583
200/160	8 x 6	2.250	1.250	0.500	0.244	0.303	5936585
Size		Dimensions			SDR 33 / PN 10 / 150 PSI		
mm	inch	L	L2	h	s1	s2	Part Number
200/90	8 x 3	2.250	1.250	0.500	0.244	0.110	5938582
200/110	8 x 4	2.250	1.250	0.500	0.244	0.135	5938583
200/160	8 x 6	2.250	1.250	0.500	0.244	0.193	5938585

Machined items are non-returnable / non-cancelable.  
Consult Asahi/America for pressure rating.

Note: Custom and large sizes available, consult factory.

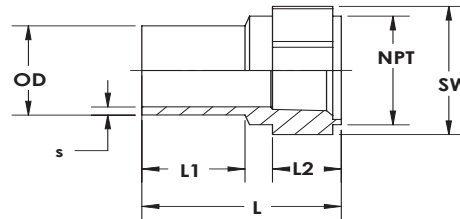
Super Proline®  
Chemical Grade PVDF



**MALE ADAPTER**

Size		Dimensions						SDR 21 / PN 16 / 230 PSI	
mm	inch	s	L	L1	L2	SW	NPT	Weight (lbs)	Part Number
20	1/2	0.075	1.811	0.787	0.709	0.866	1/2	0.02	5947005
25	3/4	0.075	2.008	0.906	0.787	1.063	3/4	0.04	5947007
32	1	0.094	2.402	1.142	0.906	1.417	1	0.09	5947010
40	1-1/4	0.094	2.598	1.142	1.063	1.811	1-1/4	0.15	5947012
50	1-1/2	0.118	2.913	1.299	1.142	2.165	1-1/2	0.26	5947015
63	2	0.118	3.150	1.378	1.220	2.559	2	0.29	5947020
90	3*	0.110	4.00	1.63	1.00	3.54	3	0.60	5947030
110	4*	0.134	4.00	1.73	2.00	4.50	4	1.00	5947040

\*Machined items rated for 5psi.

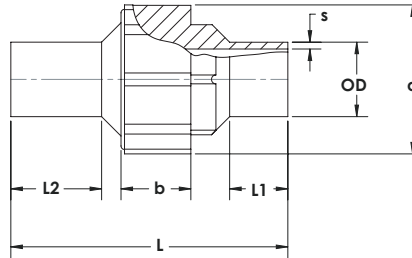


**FEMALE ADAPTER**

Size		Dimensions						SDR 21 / PN 16 / 230 PSI	
mm	inch	s	L	L1	L2	SW	NPT	Weight (lbs)	Part Number
20	1/2	0.075	1.811	0.787	0.630	1.260	1/2	0.07	5949005
25	3/4	0.075	2.008	0.906	0.709	1.614	3/4	0.11	5949007
32	1	0.094	2.283	1.142	0.787	1.811	1	0.18	5949010
40	1-1/4	0.094	2.441	1.181	0.945	2.165	1-1/4	0.29	5949012
50	1-1/2	0.118	2.677	1.339	0.945	2.756	1-1/2	0.46	5949015
63	2	0.118	2.953	1.378	1.102	3.346	2	0.73	5949020
90	3*	0.110	4.00	1.63	1.00	4.50	3	0.80	5949030
110	4*	0.134	4.00	1.73	1.00	5.50	4	1.40	5949040

\*Machined items rated for 5psi.

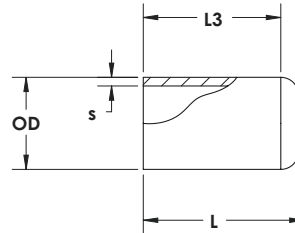
Super Proline®  
 Chemical Grade PVDF



**UNION - FKM**

Size		Dimensions						SDR 21 / PN 16 / 230 PSI	
mm	inch	s	L	L1	L2	d	b	Weight (lbs)	Part Number
20	1/2	0.075	4.213	0.945	1.398	1.850	0.945	0.18	5934005
25	3/4	0.075	4.409	0.945	1.437	2.244	1.024	0.26	5934007
32	1	0.094	4.685	0.984	1.547	2.520	1.181	0.37	5934010
40	1-1/4	0.094	4.921	0.984	1.476	3.012	1.220	0.57	5934012
50	1-1/2	0.118	5.118	0.984	1.575	3.504	1.378	0.79	5934015
63	2	0.118	5.354	0.984	1.594	4.291	1.535	1.21	5934020
90	3	0.169	5.118	1.339	2.165	5.118	1.575	1.68	5934030

Unions are stocked with FKM O-rings. EPDM O-rings are available upon request and require additional lead time.

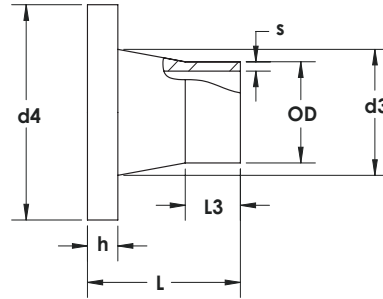


**END CAP - EXTENDED LEG**

Size		Dimensions		SDR 21 / PN 16 / 230 PSI			SDR 33 / PN 10 / 150 PSI		
mm	inch	L	L3	s	Weight (lbs)	Part Number	s	Weight (lbs)	Part Number
20	1/2	1.773	1.615	0.075	0.02	5943005	-	-	-
25	3/4	1.931	1.615	0.075	0.02	5943007	-	-	-
32	1	2.206	1.773	0.095	0.07	5943010	-	-	-
40	1-1/4	2.522	1.970	0.095	0.09	5943012	-	-	-
50	1-1/2	2.876	2.364	0.118	0.15	5943015	-	-	-
63	2	3.388	2.679	0.118	0.24	5943020	-	-	-
75	2-1/2	3.664	2.955	0.142	0.49	5943025	-	-	-
90	3	4.334	3.310	0.169	0.66	5944030	0.110	0.42	5943030
110	4	4.925	3.901	0.209	1.04	5944040	0.134	0.64	5943040
160	6*	1.378	.590	0.303	1.90	5944060	0.193	0.8	5943060
200	8*	1.378	.590	0.378	2.89	5944080	0.244	1.2	5943080

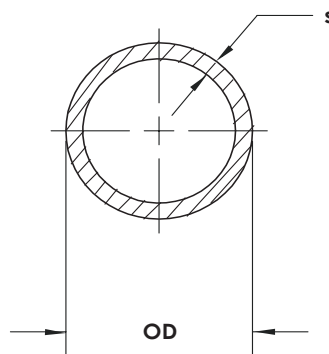
\* Machined

Super Proline®  
Chemical Grade PVDF

**STUB END\* (FLANGE ADAPTER)**

Size		Dimensions					SDR 21 / PN 16 / 230 PSI				SDR 33 / PN 10 / 150 PSI		
mm	inch	h	L	L3	d3	d4	s	Weight (lbs)	Part Number	s	Weight (lbs)	Part Number	
20	1/2	0.236	1.970	1.221	1.064	1.773	0.075	0.07	5930005	-	-	-	
25	3/4	0.256	1.969	1.181	1.299	2.283	0.075	0.11	5930007	-	-	-	
32	1	0.276	1.969	1.024	1.575	2.677	0.094	0.15	5930010	-	-	-	
40	1 1/4	0.315	1.969	0.866	1.969	3.071	0.094	0.20	5930012	-	-	-	
50	1-1/2	0.354	1.969	0.866	2.402	3.307	0.118	0.29	5930015	-	-	-	
63	2	0.394	1.969	0.709	2.953	3.898	0.118	0.37	5930020	-	-	-	
75	2-1/2	0.433	1.969	0.709	3.504	4.685	0.142	0.57	5930025	-	-	-	
90	3	0.433	3.150	1.299	4.134	5.079	0.169	0.90	5970030	0.110	0.79	5930030	
110	4	0.472	3.150	1.496	4.921	6.063	0.209	1.19	5970040	0.134	1.06	5930040	
160	6	0.709	3.150	1.339	6.890	8.346	0.303	2.38	5970060	0.193	2.09	5930060	
200	8	0.945	3.937	1.417	9.134	10.433	0.378	6.26	5970080	0.244	4.12	5930080	
250	10	0.984	3.937	1.378	11.220	12.598	0.469	7.69	5970100	0.303	6.48	5930100	
315	12	0.787	3.937	1.575	13.189	14.570	-	-	-	0.382	7.28	5930120	

\*Requires backing ring. See page 282-284.



**PIPE\*** 5 meter (16.4') lengths

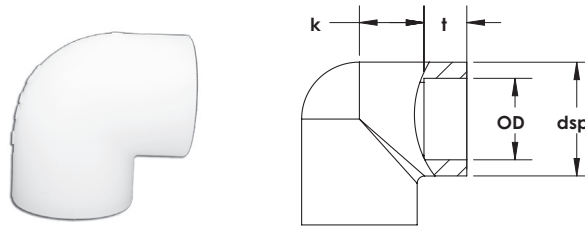
Size		Dimensions		SDR 21 / PN 16 / 230 PSI	
mm	inch	OD	s	Weight (lbs/lth)	Part Number
20	1/2	0.787	0.075	2.31	5901005
25	3/4	0.984	0.075	2.98	5901007
32	1	1.260	0.094	4.85	5901010
40	1-1/4	1.575	0.094	6.06	5901012
50	1-1/2	1.969	0.118	9.37	5901015
63	2	2.480	0.118	12.02	5901020
75	2-1/2	2.953	0.142	17.09	5901025
90	3	3.543	0.169	24.47	5903030
110	4	4.331	0.209	36.60	5903040

\*Pipe is sold in 5 meter lengths only (16.4').

**Super Proline®**  
**Chemical Grade PVDF**

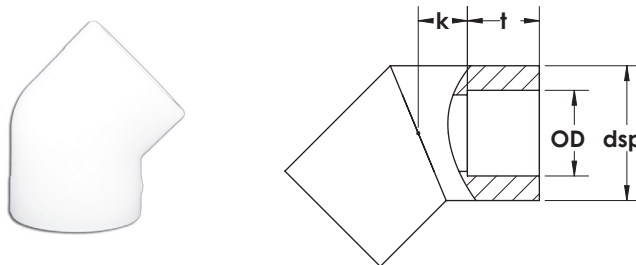
Socket fusion requires SDR 21 PVDF pipe in all dimensions.





## 90 DEGREE ELBOW

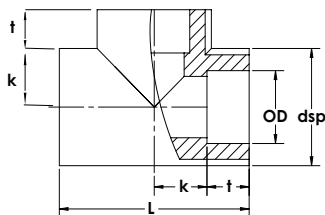
Size		Dimensions			SDR 21 / PN 16 / 230 PSI	
mm	inch	dsp	t	k	Weight (lbs)	Part Number
20	1/2	1.141	0.629	0.590	0.09	5991005
25	3/4	1.377	0.708	0.590	0.13	5991007
32	1	1.692	0.767	0.826	0.22	5991010
40	1-1/4	2.047	0.846	0.984	0.35	5991012
50	1-1/2	2.519	0.964	1.181	0.60	5991015
63	2	3.188	1.102	1.377	1.06	5991020
75	2-1/2	3.622	1.279	1.535	1.30	5991025
90	3	4.448	1.397	1.732	2.40	5991030
110	4	5.236	1.633	2.086	3.42	5991040



## 45 DEGREE ELBOW

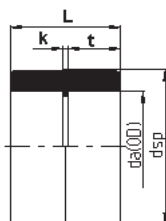
Size		Dimensions			SDR 21 / PN 16 / 230 PSI	
mm	inch	dsp	t	k	Weight (lbs)	Part Number
20	1/2	1.181	0.630	0.197	0.09	5988005
25	3/4	1.378	0.709	0.236	0.11	5988007
32	1	1.693	0.748	0.276	0.18	5988010
40	1-1/4	2.047	0.846	0.354	0.29	5988012
50	1-1/2	2.520	0.945	0.433	0.46	5988015
63	2	3.189	1.142	0.630	0.79	5988020
75	2-1/2	3.622	1.260	0.630	0.93	5988025
90	3	4.449	1.437	0.748	1.81	5988030
110	4	5.236	1.634	1.063	2.71	5988040

Socket fusion requires SDR 21 PVDF pipe in all dimensions.



**TEE**

Size		Dimensions				SDR 21 / PN 16 / 230 PSI	
mm	inch	L	dsp	t	k	Weight (lbs)	Part Number
20	1/2	2.362	1.142	0.630	0.571	0.13	5985005
25	3/4	2.677	1.378	0.689	0.650	0.15	5985007
32	1	3.150	1.693	0.768	0.807	0.29	5985010
40	1-1/4	3.701	2.047	0.846	1.004	0.44	5985012
50	1-1/2	4.252	2.520	0.925	1.181	0.73	5985015
63	2	4.921	3.189	1.142	1.398	1.30	5985020
75	2-1/2	6.024	3.622	1.358	1.654	1.65	5985025
90	3	7.205	4.449	1.496	2.106	3.29	5985030
110	4	8.189	5.236	1.673	2.421	4.37	5985040

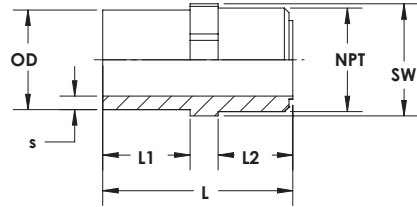
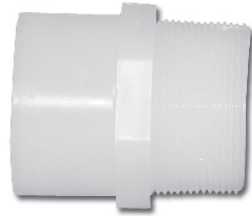


**COUPLING**

Size		Dimensions				SDR 21 / PN 16 / 230 PSI
mm	inch	L	t	k	dsp	Part Number
20	1/2	1.38	0.62	0.12	1.14	5986005
25	3/4	1.54	0.69	0.16	1.38	5986007
32	1	1.69	0.79	0.16	1.69	5986010
40	1-1/4	1.85	0.83	0.20	2.05	5986012
50	1-1/2	2.09	0.94	0.20	2.52	5986015
63	2	2.36	1.10	0.16	3.19	5986020
75	2-1/2	2.76	1.28	0.20	3.62	5986025
90	3	3.07	1.44	0.20	4.45	5986030
110	4	3.54	1.67	0.20	5.24	5986040

Socket fusion requires SDR 21 PVDF pipe in all dimensions.

Super Proline®  
Chemical Grade PVDF

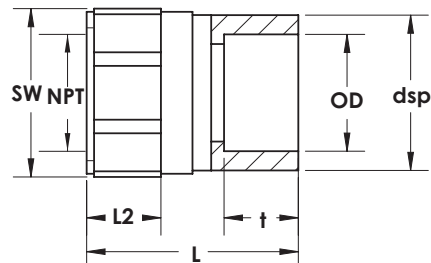


**MALE ADAPTER (BUTT)\***

Size		Dimensions						SDR 21 / PN 16 / 230 PSI	
mm	inch	s	L	L1	L2	SW	NPT	Weight (lbs)	Part Number
20	1/2	0.075	1.811	0.787	0.709	0.866	1/2	0.02	5947005
25	3/4	0.075	2.008	0.906	0.787	1.063	3/4	0.04	5947007
32	1	0.094	2.402	1.142	0.906	1.417	1	0.09	5947010
40	1-1/4	0.094	2.598	1.142	1.063	1.811	1-1/4	0.15	5947012
50	1-1/2	0.118	2.913	1.299	1.142	2.165	1-1/2	0.26	5947015
63	2	0.118	3.150	1.378	1.220	2.559	2	0.29	5947020
90	3+	0.110	4.00	1.63	1.00	3.54	3	0.60	5947030
110	4+	0.134	4.00	1.73	2.00	4.50	4	1.00	5947040

\*Requires use of socket coupling on page 106.  
+ 3" and 4" machined and rated to 5 psi

Butt fusion end. For socket welding use socket coupling.  
Rated to 5psi and machined

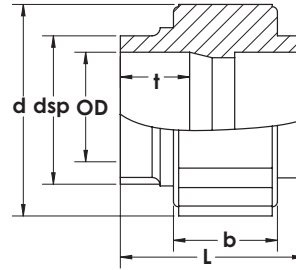


**FEMALE ADAPTER**

Size		Dimensions						SDR 21 / PN 16 / 230 PSI	
mm	inch	L	L2	SW	NPT	dsp	t	Weight (lbs)	Part Number
20	1/2	1.772	0.630	1.260	1/2	1.161	0.571	0.09	5983005
25	3/4	1.988	0.709	1.614	3/4	1.378	0.630	0.13	5983007
32	1	2.244	0.787	1.811	1	1.673	0.713	0.20	5983010
40	1-1/4	2.461	0.945	2.165	1-1/4	2.047	0.807	0.33	5983012
50	1-1/2	2.677	1.024	2.756	1-1/2	2.520	0.925	0.53	5983015
63	2	2.913	1.181	3.346	2	3.150	1.079	0.88	5983020
90	3+	0.110	4.00	1.63	1.00	4.50	3	0.80	5949030
110	4+	0.134	4.00	1.73	1.00	5.50	4	1.40	5949040

+ 3" and 4" are butt spigot, machined and rated to 5 psi

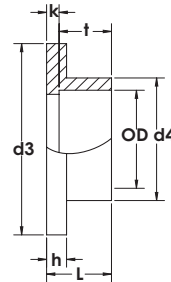
Socket fusion requires SDR 21 PVDF pipe in all dimensions.



**UNION - FKM**

Size		Dimensions					SDR 21 / PN 16 / 230 PSI		
mm	inch	L	d	b	dsp	t	Weight (lbs)	Part Number	
20	1/2	1.772	1.850	0.945	1.075	0.630	0.13	5993005	
25	3/4	1.929	2.244	1.024	1.406	0.709	0.22	5993007	
32	1	2.087	2.520	1.181	1.626	0.787	0.31	5993010	
40	1-1/4	2.323	3.071	1.220	2.079	0.866	0.49	5993012	
50	1-1/2	2.638	3.504	1.378	2.307	0.965	0.62	5993015	
63	2	3.110	4.291	1.535	2.898	1.142	1.10	5993020	

EPDM O-rings are available upon request and require additional lead time.

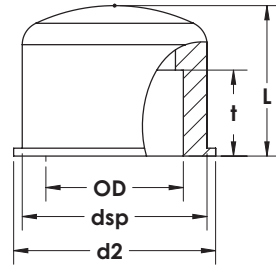


**STUB END\* (FLANGE ADAPTER)**

Size		Dimensions						SDR 21 / PN 16 / 230 PSI	
mm	inch	L	d4	d3	h	t	k	Weight (lbs)	Part Number
20	1/2	0.827	1.064	1.773	0.236	0.630	0.197	0.04	5990005
25	3/4	0.867	1.300	2.285	0.276	0.670	0.197	0.09	5990007
32	1	0.985	1.615	2.679	0.276	0.788	0.197	0.11	5990010
40	1-1/4	1.024	1.970	3.073	0.315	0.827	0.197	0.18	5990012
50	1-1/2	1.182	2.403	3.467	0.315	0.985	0.197	0.22	5990015
63	2	1.300	2.994	4.019	0.355	1.103	0.197	0.33	5990020
75	2-1/2	1.458	3.546	4.807	0.394	1.261	0.197	0.51	5990025
90	3	1.615	4.295	4.925	0.433	1.418	0.197	0.68	5990030
110	4	1.891	5.161	5.910	0.473	1.694	0.197	1.01	5990040

\*Requires backing ring. See page 282-284.

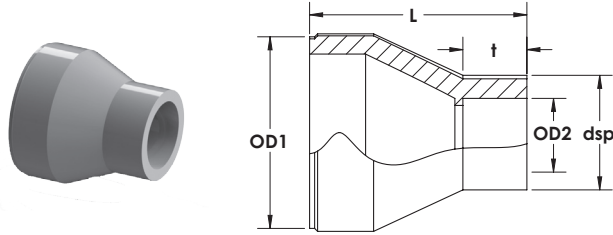
Socket fusion requires SDR 21 PVDF pipe in all dimensions.



## END CAP

Size		Dimensions				SDR 21 / PN 16 / 230 PSI	
mm	inch	L	d2	dsp	t	Weight (lbs)	Part Number
20	1/2	1.063	1.260	1.142	0.610	0.04	5981005
25	3/4	1.181	1.457	1.378	0.689	0.07	5981007
32	1	1.378	1.811	1.693	0.768	0.11	5981010
40	1-1/4	1.535	2.244	2.047	0.886	0.15	5981012
50	1-1/2	1.929	2.717	2.520	0.945	0.29	5981015
63	2	2.323	3.386	3.189	1.102	0.53	5981020
75	2-1/2	2.598	3.819	3.622	1.319	0.66	5981025
90	3	3.031	4.685	4.449	1.437	1.17	5981030
110	4	3.622	5.472	5.236	1.673	1.79	5981040

Socket fusion requires SDR 21 PVDF pipe in all dimensions.

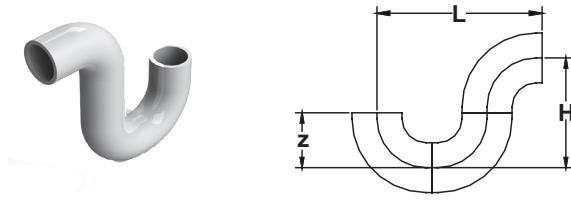


## CONCENTRIC REDUCER

Size		Dimensions			SDR 21 / PN 16 / 230 PSI	
mm	inch	L	dsp	t	Weight (lbs)	Part Number
25 x 20	3/4 x 1/2	1.575	1.142	0.618	0.04	5995101
32 x 20	1 x 1/2	1.732	1.142	0.610	0.07	5995130
32 x 25	1 x 3/4	1.732	1.378	0.693	0.09	5995131
40 x 20	1-1/4 x 1/2	1.929	1.142	0.642	0.07	5995166
40 x 25	1-1/4 x 3/4	1.929	1.378	0.693	0.11	5995167
40 x 32	1-1/4 x 1	1.929	1.693	0.795	0.09	5995168
50 x 20	1-1/2 x 1/2	2.165	1.142	0.638	0.13	5995208
50 x 25	1-1/2 x 3/4	2.165	1.378	0.709	0.15	5995210
50 x 32	1-1/2 x 1	2.165	1.693	0.669	0.18	5995211
50 x 40	1-1/2 x 1-1/4	2.165	2.047	0.984	0.20	5995212
63 x 25	2 x 3/4	2.520	1.378	0.724	0.24	5995248
63 x 32	2 x 1	2.520	1.693	0.799	0.26	5995249
63 x 40	2 x 1-1/4	2.520	2.047	0.843	0.29	5995250
63 x 50	2 x 1-1/2	2.520	2.520	0.969	0.33	5995251
75 x 63	2-1/2 x 2	2.520	3.189	1.126	0.46	5995292
90 x 63	3 x 2	3.425	3.189	1.142	0.77	5995338
90 x 75	3 x 2-1/2	3.425	3.622	1.299	0.79	5995339
110 x 63	4 x 2	3.465	3.189	1.154	1.06	5995420
110 x 90	4 x 3	3.425	4.449	1.398	1.28	5995422

Large dimension is spigot end. Small dimension is socket.

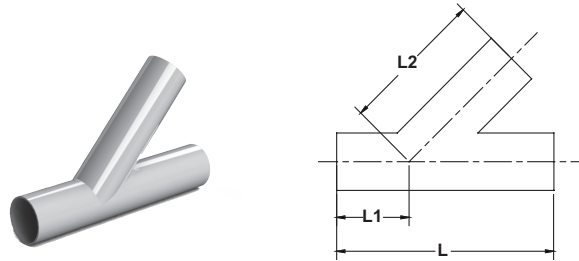
Socket fusion requires SDR 21 PVDF pipe in all dimensions.



### P-TRAP

Size		Dimensions			SDR 33 / MOP 5 PSI
mm	inch	L	Z	H	Part Number
50	1-1/2*	8.75	4-1/4	8.125	6207015
63	2*	10.75	5	9.75	6207020
90	3	14.5	6-1/2	12.875	6207030
110	4	17.125	7-3/8	14.5	6207040
160	6	24	10	19.75	6207060
200	8	28.75	12-1/4	24.25	6207080

\*SDR21 / MOP 5 PSI

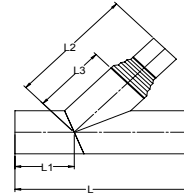


### LATERAL

Size		Dimensions			SDR 21 / MOP 5 PSI		SDR 33 / MOP 5 PSI
mm	inch	L1	L2	L	Part Number	List Price	Part Number
50	1-1/2	6	12	18	-	-	6209015
63	2	6	12	18	-	-	6209020
90	3	6	12	18	6209031	707.00	6209030
110	4	6	12	18	6209041	912.00	6209040
160	6	8	16	24	6209061	1906.00	6209060
200	8	10	20	30	-	-	6209080
250	10	12	24	36	-	-	6209100
315	12	14	28	42	-	-	6209120

\*Consult factory for pressure rating of fabricated fittings.

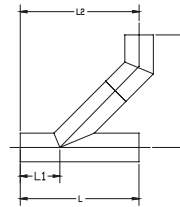
Super Proline®  
 Chemical Grade PVDF



**FABRICATED REDUCING LATERALS**

Size		Dimensions				SDR 33 / MOP 5 PSI
mm	inch	L	L1	L2	L3	Part Number
90 x 63	3 x 2*	18	6	18	12	6219338
110 x 63	4 x 2*	18	6	18	12	6219420
110 x 90	4 x 3	18	6	18	12	6219422
160 x 63	6 x 2*	24	8	24	16	6219530
160 x 90	6 x 3	24	8	24	16	6219531
160 x 110	6 x 4	24	8	24	16	6219532
200 x 63	8 x 2*	30	10	30	20	6219581
200 x 90	8 x 3	30	10	30	20	6219582
200 x 110	8 x 4	30	10	30	20	6219583
200 x 160	8 x 6	30	10	30	20	6219585
250 x 63	10 x 2*	36	12	36	24	6219624
250 x 90	10 x 3	36	12	36	24	6219625
250 x 110	10 x 4	36	12	36	24	6219626
250 x 160	10 x 6	36	12	36	24	6219627
250 x 200	10 x 8	36	12	36	24	6219628
315 x 160	12 x 6	42	14	42	28	6219659
315 x 200	12 x 8	42	14	42	28	6219660

\*SDR21 / MOP5PSI.



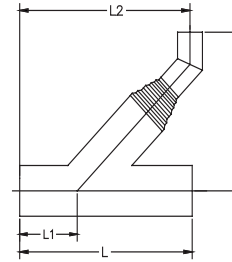
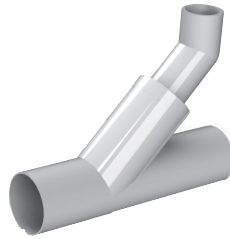
**LATERAL WITH 1/8 BEND**

Size		Dimensions				SDR 33 / MOP 5 PSI
mm	inch	L	L1	L2	H	Part Number
50	1-1/2	18	6	16.25	13	6211015
63	2	18	6	16.5	13.5	6211020
90	3	18	6	17.25	15.25	6211030
110	4	18	6	18	17	6211040
160	6	24	8	23.5	21.5	6211060
200	8	30	10	28.25	24.25	6211080
250	10	36	12	33	27	6211100
315	12	42	14	39.25	33.25	6211120

\*Consult factory for pressure rating of fabricated fittings.

Super Proline®  
Chemical Grade PVDF





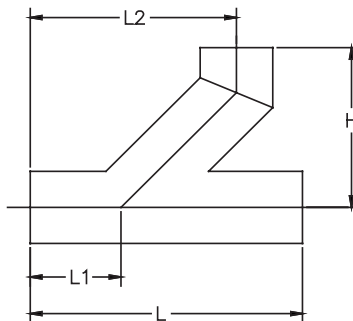
**FABRICATED REDUCING LATERAL WITH 1/8 BEND**

Size		Dimensions				SDR 33 / MOP 5 PSI
mm	inch	L	L1	L2	H	Part Number
90 x 63	3 x 2*	18	6	16	16.5	6221338
110 x 63	4 x 2*	18	6	17	17.5	6221420
110 x 90	4 x 3	18	6	17	19	6221422
160 x 63	6 x 2*	24	8	16	18.5	6221530
160 x 90	6 x 3	24	8	22	22.5	6221531
160 x 110	6 x 4	24	8	22	23	6221532
200 x 63	8 x 2*	30	10	20	23.25	6221581
200 x 90	8 x 3	30	10	20	23.76	6221582
200 x 110	8 x 4	30	10	27	23.5	6221583
200 x 160	8 x 6	30	10	27	29.5	6221585
250 x 63	10 x 2*	36	12	24	27.25	6221624
250 x 90	10 x 3	36	12	24	27.5	6221625
250 x 110	10 x 4	36	12	33	28.5	6221626
250 x 160	10 x 6	36	12	30	29.5	6221627
250 x 200	10 x 8	36	12	28	29	6221628
315 x 160	12 x 6	42	14	37	34.5	6221659
315 x 200	12 x 8	42	14	35	34	6221660

\*SDR21 / MOP5PSI.

\*Consult factory for pressure rating of fabricated fittings.

Super Proline®  
Chemical Grade PVDF



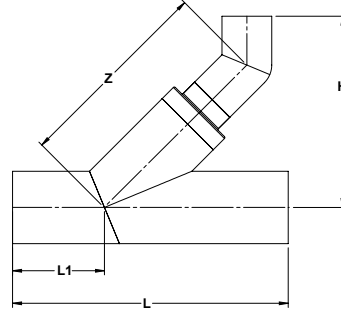
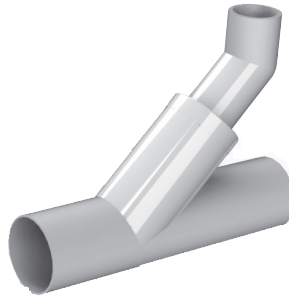
**FABRICATED SANITARY TEE**

Size		Dimensions				SDR 33 / MOP 5 PSI
mm	inch	L	L1	L2	H	Part Number
63	2*	18	6	12	9	6213020
90	3	18	6	12	9	6213030
110	4	18	6	12	9	6213040
160	6	24	8	16	12.5	6213060
200	8	30	10	20	15.5	6213080
250	10	36	12	24	18.5	6213100
315	12	42	14	28	21.75	6213120

\*SDR21 / MOP5PSI.

**Super Proline®  
Chemical Grade PVDF**

**\*Consult factory for pressure rating of fabricated fittings.**



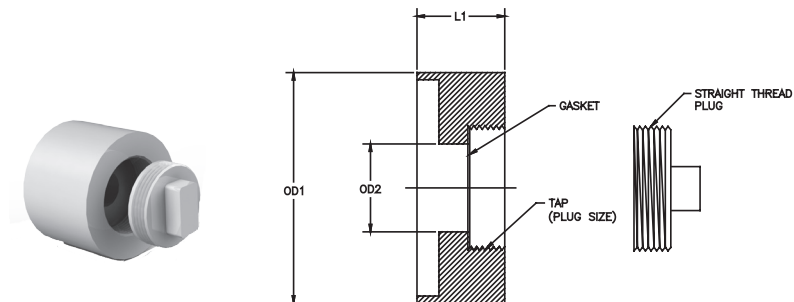
## REDUCING SANITARY TEE

Size		Dimensions				SDR 33 / MOP 5 PSI
mm	inch	L	L1	Z	H	Part Number
90 x 63	3 X 2*	18	6	10.5	10.63	6233338
110 x 63	4 X 2*	18	6	10.5	10.63	6233420
110 x 90	4 X 3	18	6	10.5	11.50	6233422
160 x 63	6 X 2*	24	8	15	13.75	6233530
160 x 90	6 X 3	24	8	15	14.75	6233531
160 x 110	6 X 4	24	8	15	14.88	6233532
200 x 63	8 X 2*	30	10	17	15.13	6233581
200 x 90	8 X 3	30	10	17	16.13	6233582
200 x 110	8 X 4	30	10	17	17.00	6233583
200 x 160	8 X 6	30	10	17	20.25	6233585
250 x 63	10 X 2*	36	12	20	17.25	6233624
250 x 90	10 X 3	36	12	20	18.25	6233625
250 x 110	10 X 4	36	12	21	19.13	6233626
250 x 160	10 X 6	36	12	21	21.00	6233627
250 x 200	10 X 8	36	12	24	23.63	6233628
315 x 160	12 X 6	42	14	28	26.00	6233659
315 x 200	12 X 8	42	14	29	27.25	6233660

\*SDR21 / MOP5PSI.

\*Consult factory for pressure rating of fabricated fittings.

Super Proline®  
Chemical Grade PVDF



**CLEANOUT WITH PLUG\***

Size		Dimensions				SDR 33 / MOP 5 PSI
mm	inch	OD1	OD2	L1	TAP DEPTH	Part Number
50	1-1/2	1.96	3	0.25	0.5	6243015
63	2	2.48	3	0.5	0.75	6243020
90	3	3.54	3	1	0.93	6243030
110	4	4.33	2.00	3.00	1.12	6243040
160	6	6.30	3.00	3.00	1.26	6243060

\*Machined straight threads, 5psi maximum.

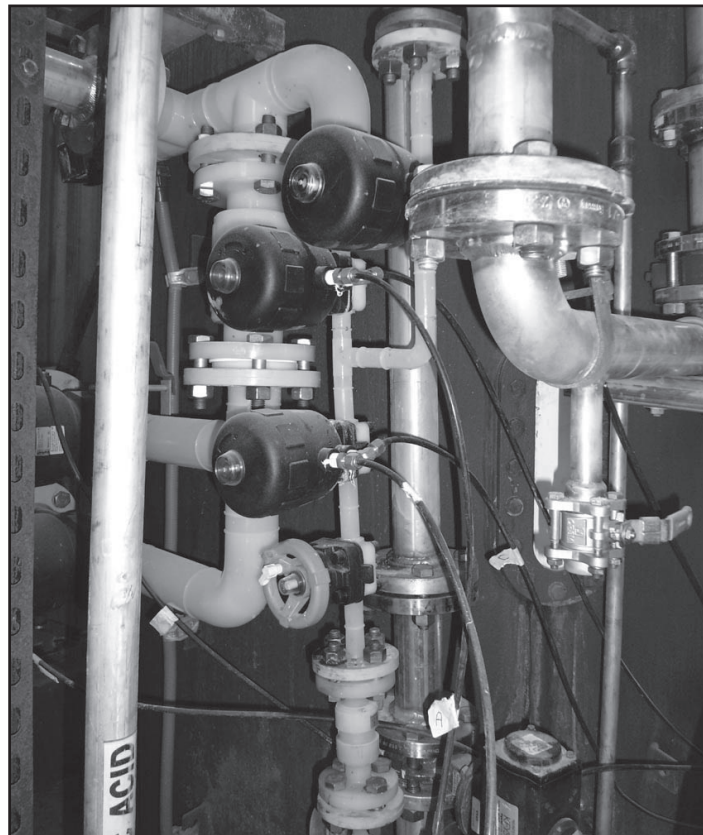
**Super Proline®  
Chemical Grade PVDF**

\*Consult factory for pressure rating of fabricated fittings.

*Page intentionally left blank.*

Super Proline®  
Chemical Grade PVDF

# Ultra Proline® ECTFE (Halar®) Single Wall Piping System



# Ultra Proline®

Natural Ethylene Chlorotrifluoroethylene (ECTFE)

Chemical Piping System

REV:IN0512HA

**Materials:** ASTM D3275 Class 2 resin.

Raw resins are certified by NSF to NSF/ANSI 61-G.

**Pipe Production:** Produced according to ISO 10931 (for PVDF).

**Fitting Production:** Produced according to ISO 10931 (for PVDF).

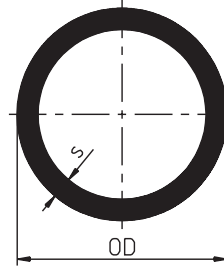
**Pressure Rating:** Components shall be pressure rated in accordance with ASTM D2837 and DIN 8077 for hydrostatic design basis. Components shall be manufactured to standard dimensional ratio (SDR) 21.

Based on continuous service life of 50 years at 68° F (20° C).

SDR21: 150psi (PN10)

PN = Nominal pressure in bar.

**Joining:** Available methods shall be according to the schedule below  
DVS 2207-15 Contact Butt: 1/2" (20mm) through max product size



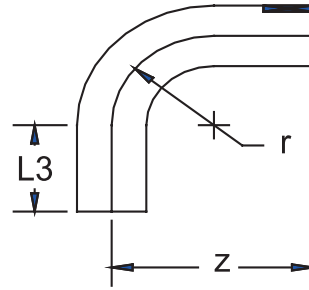
**PIPE\*** 5 meter (16.4') lengths

Size		Dimensions		Weight (lbs/lth)	SDR 21 / PN 10 / 150 PSI
mm	inch	OD	s		Part Number
20	1/2	0.79	0.07	2.20	5501005
25	3/4	0.99	0.07	2.76	5501007
32	1	1.26	0.09	4.52	5501010
50	1-1/2	1.97	0.12	8.82	5501015
63	2	2.48	0.12	11.35	5501020
90	3	3.55	0.17	23.15	5501030
110	4	4.33	0.21	34.61	5501040

\*Pipe is sold in 5 meter lengths only (16.4').

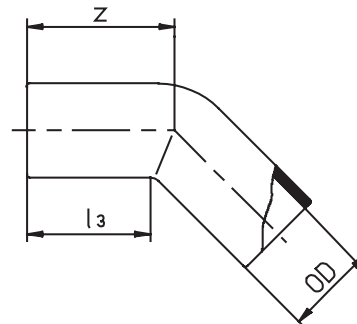






**EXTENDED LEG 90 DEGREE ELBOW**

Size		Dimensions			SDR 21 / PN 10 / 150 PSI
mm	inch	z	r	L3	Part Number
20	1/2	2.01	0.79	1.30	5503005
25	3/4	2.20	0.99	1.30	5503007
32	1	2.48	1.26	1.30	5503010
50	1-1/2	3.31	1.97	1.42	5503015
63	2	3.82	2.48	1.38	5503020
90	3	4.84	3.55	1.34	5503030
110	4	5.59	4.33	1.34	5503040

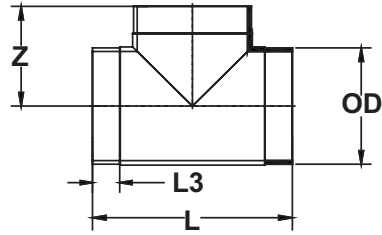


**EXTENDED LEG 45 DEGREE ELBOW**

Size		Dimensions			SDR 21 / PN 10 / 150 PSI
mm	inch	OD	z	L3	Part Number
20	1/2	0.79	1.69	1.54	5516005
25	3/4	0.99	1.77	1.58	5516007
32	1	1.26	2.05	1.81	5516010
50	1-1/2	1.97	2.60	2.21	5516015
63	2	2.48	2.96	2.44	5516020
90	3*	3.54	5	4.10	5516030
110	4*	4.33	5	4.10	5516040

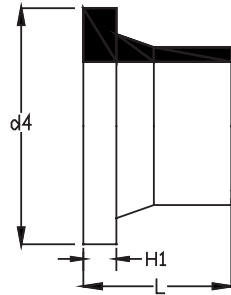
\*Fabricated fitting from pipe, MOP / 45PSI.





**TEE**

Size		Dimensions				SDR 21 / PN 10 / 150 PSI
mm	inch	OD	z	L	L3	Part Number
20	1/2	0.79	1.38	2.76	0.59	5507005
25	3/4	0.99	1.58	3.15	0.59	5507007
32	1	1.26	1.77	3.51	0.67	5507010
50	1-1/2	1.97	2.36	4.73	0.91	5507015
63	2	2.48	2.96	5.87	1.10	5507020
90	3	3.55	3.62	7.13	1.30	5507030
110	4	4.33	4.33	8.79	1.30	5507040

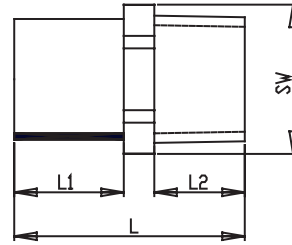


**STUB END\* - DIN**

Size		Dimensions				SDR 21 / PN 10 / 150 PSI
mm	inch	OD	L	d4	H1	Part Number
20	1/2	0.79	1.97	1.77	0.24	5514005
25	3/4	0.99	1.97	2.29	0.26	5514007
32	1	1.26	1.97	2.68	0.28	5514010
50	1-1/2	1.97	1.97	3.47	0.35	5514015
63	2	2.48	1.97	4.02	0.39	5514020
90	3	3.55	3.15	5.44	0.67	5514030
110	4	4.33	3.15	6.23	0.47	5514040

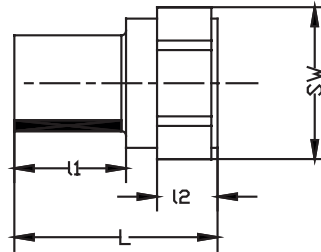
DIN size is compatible with backing rings.

\* Requires backing ring. See page 282-284.



**MALE ADAPTER**

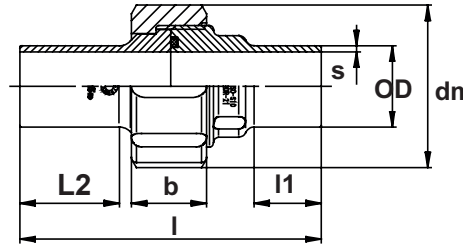
Size		Dimensions				SDR 21 / PN 10 / 150 PSI
mm	inch	OD	L	L1	L2	Part Number
20	1/2	.79	2.35	1.22	0.71	5528005
25	3/4	.99	2.35	1.29	0.79	5528007
32	1	1.26	2.42	1.29	0.94	5528010
50	1-1/2	1.97	2.94	1.60	1.02	5528015
63	2	2.48	3.14	1.74	1.10	5528020



**FEMALE ADAPTER**

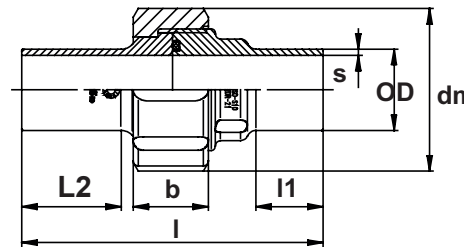
Size		Dimensions				SDR 21 / PN 10 / 150 PSI
mm	inch	OD	L	L1	L2	Part Number
20	1/2	.79	2.00	.88	0.63	5529005
25	3/4	.99	2.00	1.00	0.67	5529007
32	1	1.26	2.62	1.18	0.79	5529010
50	1-1/2	1.97	2.69	1.30	0.94	5529015
63	2	2.48	2.75	1.36	0.94	5529020





**UNION - FKM**

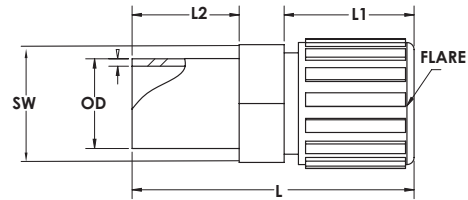
Size		Dimensions							SDR 21 / PN 10 / 150 PSI	
mm	inch	OD	s	L	L1	L2	dn	b	Part Number	
20	1/2	0.79	0.07	4.22	0.95	1.40	1.85	0.95	5533005	
25	3/4	0.99	0.07	4.41	0.95	1.44	2.25	1.02	5533007	
32	1	1.26	0.09	4.69	0.99	1.55	2.52	1.18	5533010	



**UNION - LITHARGE FLOURINE FOR (>97%) SULFURIC ACID USE**

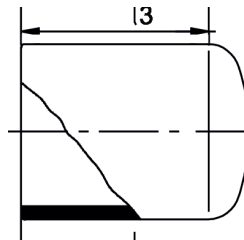
Size		Dimensions							SDR 21 / PN 10 / 150 PSI	
mm	inch	OD	s	L	L1	L2	dn	b	Part Number	
20	1/2	0.79	0.07	4.22	0.95	1.40	1.85	0.95	5534005	
25	3/4	0.99	0.07	4.41	0.95	1.44	2.25	1.02	5534007	
32	1	1.26	0.09	4.69	0.99	1.55	2.52	1.18	5534010	

Ultra Proline®  
Halar®



### FLARE ADAPTER

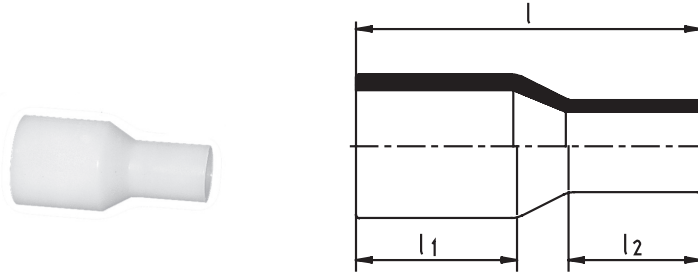
Size			Dimensions				SDR 21 / PN 10 / 150 PSI
mm	inch	Flare	L	L1	L2	SW	Part Number
20 x 6	1/2 x 1/4	1/4	3.19	1.14	1.5	0.945	5506096
20 x 16	1/2 x 3/8	3/8	3.31	1.26	1.5	0.945	5506098
20 x 20	1/2 x 1/2	1/2	3.40	1.26	1.5	1.063	5506005
25 x 25	3/4 x 3/4	3/4	3.56	1.46	1.5	1.181	5506007
25 x 32	3/4 x 1	1	3.59	1.46	1.5	1.614	5506132



### END CAP

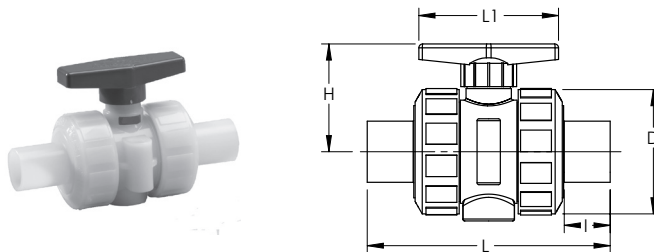
Size		Dimensions	SDR 21 / PN 10 / 150 PSI
mm	inch	l	Part Number
20	1/2	1.77	5543005
25	3/4	1.93	5543007
32	1	2.21	5543010
50	1-1/2	2.88	5543015
63	2	3.39	5543020





**EXTENDED LEG CONCENTRIC REDUCER**

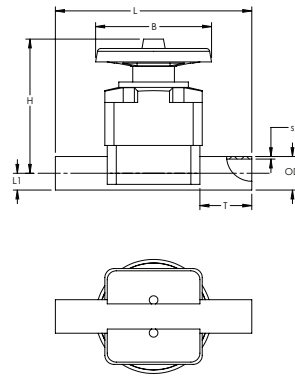
Size		Dimensions			SDR 21 / PN 10 / 150 PSI
mm	inch	l	l1	l2	Part Number
25 x 20	3/4 x 1/2	3.35	1.54	1.58	5510101
32 x 25	1 x 3/4	3.74	1.73	1.58	5510131
50 x 25	1-1/2 x 3/4	4.65	2.17	1.73	5510210
50 x 32	1-1/2 x 1	4.65	2.32	1.81	5510211
63 x 32	2 x 1	5.36	2.52	1.93	5510249
63 x 50	2 x 1-1/2	5.91	2.60	2.32	5510251
110 x 63	4 x 2	7.09	3.27	2.48	5510420
110 x 90	4 x 3	7.09	3.27	2.96	5510422



**BALL VALVE - "F-99"**

Size		Dimensions					SDR 21 / PN 10 / 150 PSI
mm	inch	L	I	D	H	L1	Part Number
20	1/2	5.81	1.45	2.00	1.87	3.13	1441005
25	3/4	6.39	1.45	2.50	2.63	3.75	1441007
32	1	6.71	1.45	2.84	2.63	3.75	1441010

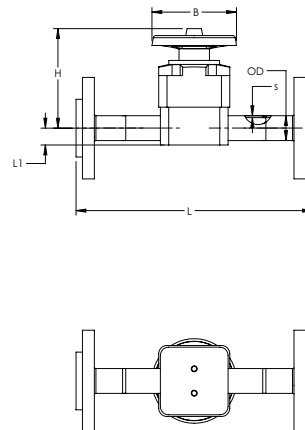
For 2", 3", and 4" valves in sulfuric acid applications, please consider the Type-55 butterfly valve. See valve list price book 54A.



**T-342 MANUAL DIAPHRAGM VALVE**

\* Air actuated options available. Consult factory for details.

Size		da(OD)	Dimensions								SDR 21 / PN 10 / 150 PSI	
mm	inch		s	L	L1	h	b	t	kv l/min	Cv gpm	Part Number	
20	1/2	0.787	0.07	5.24	0.65	3.94	3.35	1.42	72	19.0	1440005	
25	3/4	0.984	0.07	5.67	0.67	3.94	3.35	1.42	93	24.6	1440007	
32	1	1.260	0.09	6.07	0.81	4.22	3.35	1.42	221	58.3	1440010	
50	1-1/2	1.969	0.12	7.64	1.26	5.67	5.32	1.81	500	132.0	1440015	
63	2	2.480	0.12	8.83	1.52	6.70	5.32	2.13	875	231.0	1440020	



**T-342 MANUAL DIAPHRAGM VALVE - Flanged**

Size		da(OD)	Dimensions								SDR 21 / PN 10 / 150 PSI	
mm	inch		s	L	L1	h	b	t	kv l/min	Cv gpm	Part Number	
20	1/2	0.787	0.07	8-7/8	0.65	3.94	3.35	1.42	72	19.0	1448005	
25	3/4	0.984	0.07	9-3/8	0.67	3.94	3.35	1.42	93	24.6	1448007	
32	1	1.260	0.09	9-3/8	0.81	4.22	3.35	1.42	221	58.3	1448010	
50	1-1/2	1.969	0.12	11-3/8	1.26	5.67	5.32	1.81	500	132.0	1448015	
63	2	2.480	0.12	12-1/2	1.52	6.70	5.32	2.13	875	231.0	1448020	

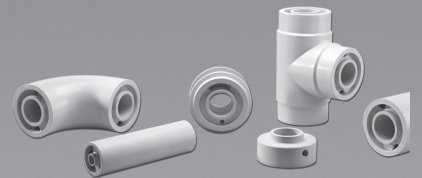
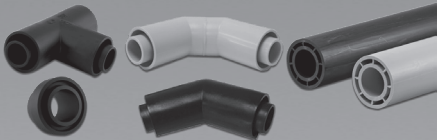


*Page intentionally left blank.*



# Double Wall Piping Systems

- Duo-Pro<sup>®</sup> - PP, PVDF, ECTFE
- Chem Prolok<sup>®</sup> - Advanced PE
- Poly-Flo<sup>®</sup> - Advanced PE, Grey PP-R



**Another  
Corrosion  
Problem  
Solved.**<sup>™</sup>



[www.asahi-america.com](http://www.asahi-america.com)

## Double Containment Piping Systems

<b>Duo-Pro®</b> .....	Page 134
<i>PP x PP</i>	
Simultaneous Weld Pipe.....	Page 134
90° Elbow.....	Page 135
45° Elbow.....	Page 136
Tee.....	Page 137
Sanitary Tee.....	Page 138
Lateral.....	Page 139
Lateral with 1/8 Bend.....	Page 140
Reducing Lateral.....	Page 141
Reducing Lateral wth 1/8 Bend.....	Page 144
Concentric Reducer.....	Page 147
P-Trap.....	Page 149
Dogbone® End Termination.....	Page 150
End Termination with Tap.....	Page 151
Flanged End Termination.....	Page 152
Flanged End Termination with Tap.....	Page 153
Solid Dogbone®.....	Page 154
Solid Dogbone® with Tap.....	Page 155
Annular Dogbone®.....	Page 156
Annular Dogbone® with Tap.....	Page 157
Solid Restraint Dogbone®.....	Page 158
Annular Restraint Dogbone®.....	Page 159
Access Tee with Threaded Plug.....	Page 160
Access Tee with Flanged Cover.....	Page 161
Cap.....	Page 162
Cleanout with Plug.....	Page 163
Stub End - Flow Through - Flat Face.....	Page 164
Stub End - Flow-Through O-Ring Flange.....	Page 165
Low Point Leak Detection Station.....	Page 166

## Double Containment Piping Systems

### *PVDF*

Simultaneous Weld Pipe.....	Page 168
Staggered Weld Pipe.....	Page 169
90° Elbow.....	Page 170
45° Elbow.....	Page 171
Tee.....	Page 172
Sanitary Tee.....	Page 173
Lateral.....	Page 174
Lateral with 1/8 Bend.....	Page 175
Reducing Lateral.....	Page 176
Reducing Lateral with 1/8 Bend.....	Page 178
Concentric Reducer.....	Page 180
P-Trap.....	Page 181
Dogbone® End Termination.....	Page 182
End Termination with Tap.....	Page 183
Dogbone Flanged End Termination.....	Page 184
Flanged End Termination with Tap.....	Page 185
Access Tee with Threaded Plug.....	Page 186
Access Tee with Flanged Cover.....	Page 187
Low Point Leak Detection Station.....	Page 188
Cap.....	Page 189
Solid Dogbone®.....	Page 190
Annular Dogbone®.....	Page 191
Solid Restraint Dogbone®.....	Page 192
Annular Restraint Dogbone®.....	Page 193
Cleanout with Plug.....	Page 194

### *Halar®*

Simultaneous Weld Pipe, Staggered Weld Pipe.....	Page 196
90° Elbow.....	Page 197
45° Elbow.....	Page 198
Tee.....	Page 199
Solid Dogbone®.....	Page 200
Annular Dogbone®.....	Page 201
Solid Restraint Dogbone®.....	Page 202
Annular Restraint Dogbone®.....	Page 203
Dogbone® End Termination.....	Page 204
End Termination with Tap.....	Page 205
Dogbone® Flanged End Termination.....	Page 206
Dogbone® Flanged End Termination with Tap.....	Page 207
Access Tee with Threaded Plug.....	Page 208
Access Tee with Flanged Cover.....	Page 209
Cap.....	Page 210
Concentric Reducer.....	Page 211
Low Point Leak Detection Station.....	Page 212

## Double Containment Piping Systems

<b>Chem Prolok®</b> .....	Page 214
<i>Advanced PE x Advanced PE</i>	
Simultaneous Weld Pipe.....	Page 214
90° Elbow, 45° Elbow, .....	Page 215
22.5° Elbow, Tee.....	Page 216
Lateral Style, Concentric Reducer.....	Page 217
DC Valve Tee, End Terminator.....	Page 218
End Terminator with 1/2" FPT.....	Page 219
Flanged Ed Termination.....	Page 220
Solid Dogbone, Solid Dogbone with Tap.....	Page 221
Annular Digbone, Annular Dogbone with Tap.....	Page 222
Solid Restrain Dogbone, Annular Restraint Dogbone.....	Page 223
Access Tee with PP Blind and PTFE AV, Low Point Leak Detection Station with Flange Riser.....	Page 224
<b>Poly-Flo®</b> .....	Page 225
<i>Advanced PE and PP-R</i>	
Pipe.....	Page 228
90° Elbow. Long and Short.....	Page 229
45° Elbow Molded,.....	Page 230
Tee - Molded.....	Page 231
Restraint Fitting - Solid, Restraint Fitting - Flow-Through.....	Page 232
Reducer - Machined, End Cap - Machined.....	Page 233
End Termination, Flanged End Termination.....	Page 234
End Termination with Annular Tap, Flange End Termination with Annular Tap.....	Page 235
Stub End - Solid - Chamfered, Stub End - Flow-Through Flat Face.....	Page 236
Stub End - Flow-Through O-Ring.....	Page 237
Solid Dogbone®, Dogbone® Compartment with Annular Tap.....	Page 238
Dogbone® Flow-Through with Annular Tap, Dogbone® Solid with Carrier Tap.....	Page 239
Dogbone® Solid with Carrier Tap Flow-Through.....	Page 240
Lateral, Lateral with 1/8 Bend.....	Page 241
P-Trap, Cleanout with Plug.....	Page 242
Outerwall Adapter, Outerwall Flanged Outlet.....	Page 243
Low Point Leak Detection Station.....	Page 244
Poly-Flo® Transitions - Machined.....	Page 245

# Asahi/America Double Containment Piping Systems



## Duo-Pro®

**Supply Range**  
 • 1x3 through 16x20  
**Materials:** Polypropylene, PVDF, & ECTFE (Halar®)



## Poly-Flo®

**Supply Range**  
 • 1x1-1/2, 2x3, or 4x6  
**Materials:** PP-R, Chem Proline®



## Chem Prolok®

**Supply Range**  
 • 1x3 through 12x16  
**Materials:**  
 PE100 Exterior  
 Chem Proline® Interior



## Pro-Lock®

**Supply Range**  
 • 1/2x2 through 4x8  
**Materials:** PVC & CPVC



## Fluid-Lok®

**Supply Range**  
 • 1x3 through 18x24  
**Materials:** HDPE

## Leak Detection Systems



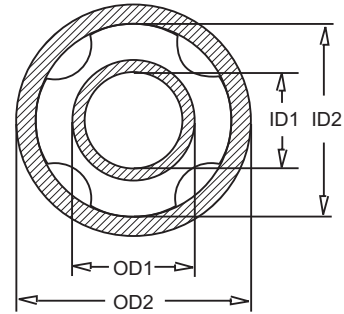
For underground pressure systems of hazardous chemicals.

**Options:**  
 Continuous sensing cable, low point sensors, or a combination of components, cable and probes.

## PAL-AT™ Liquid Watch™

A continuous leak detection cable system that can also incorporate low point probes.

A flexible, modular low point system based on inline probes.



**PIPE\* - SIMULTANEOUS WELD** 5 meter (16.4') lengths

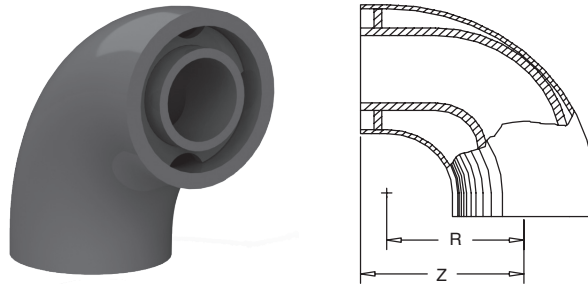
Size		PRO150 x PRO150					Part Number
		SDR 11/ PN 10/ 150 PSI					
mm	inch	OD1	OD2	ID1	ID2		
32 x 90	1 x 3	1.26	3.54	1.02	2.90	5210134	
63 x 110	2 x 4	2.48	4.33	2.02	3.54	5210420	
90 x 160	3 x 6	3.54	6.30	2.90	5.15	5210531	
110 x 200	4 x 8	4.33	7.87	3.54	6.44	5210583	
160 x 250	6 x 10	6.30	9.84	5.15	8.05	5210627	
200 x 315	8 x 12	7.87	12.40	6.44	10.14	5210660	
250 x 355	10 x 14	9.84	13.98	8.05	11.43	5210702	

Size		PRO150 x PRO45					Part Number
		SDR 11 x 33/ PN 10 x 3 / 150 x 45 PSI					
mm	inch	OD1	OD2	ID1	ID2		
63 x 110	2 x 4	2.48	4.33	2.02	4.06	5312420	
90 x 160	3 x 6	3.54	6.30	2.90	5.91	5312531	
110 x 200	4 x 8	4.33	7.87	3.54	7.39	5312583	
160 x 250	6 x 10	6.30	9.84	5.15	9.23	5312627	
200 x 315	8 x 12	7.87	12.40	6.44	11.63	5312660	
250 x 355	10 x 14	9.84	13.98	8.05	13.10	5312702	
315 x 400	12 x 16	12.40	15.75	10.14	14.77	5312690	
355 x 450	14 x 18	13.98	17.72	11.43	16.61	5312710	
400 x 500	16 x 20	15.75	19.68	12.88	18.46	5312726	

Size		PRO45 x PRO45					Part Number
		SDR 33 / PN 3 / 45 PSI					
mm	inch	OD1	OD2	ID1	ID2		
110 x 200	4 x 8	4.33	7.87	4.06	7.39	5388583	
160 x 250	6 x 10	6.30	9.84	5.91	9.23	5388627	
200 x 315	8 x 12	7.87	12.40	7.39	11.63	5388660	
250 x 355	10 x 14	9.84	13.98	9.24	13.10	5388702	
315 x 400	12 x 16	12.40	15.75	11.64	14.77	5388690	
355 x 450	14 x 18	13.98	17.72	13.12	16.61	5388710	
400 x 500	16 x 20	15.75	19.68	14.78	18.46	5388726	

\*Pipe is sold in 5 meter lengths (16.4').

Double Wall Piping System



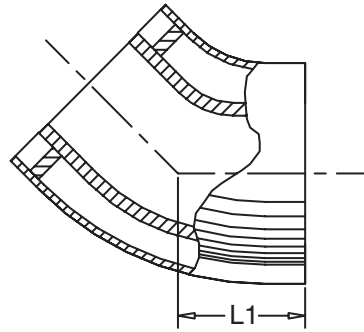
**90 DEGREE ELBOW**

Size		PRO150 x PRO150		
		SDR 11/ PN 10/ 150 PSI		
mm	inch	Z	R	Part Number
32 x 90	1 x 3	3.94	3.35	5203134
63 x 110	2 x 4	4.88	4.13	5203420
90 x 160	3 x 6	7.08	6.10	5203531
110 x 200	4 x 8	7.87	7.68	5203583
160 x 250	6 x 10	11.22	10.04	5203627
200 x 315	8 x 12	13.39	11.81	5203660
250 x 355	10 x 14	13.40	11.81	5203702

Size		PRO150 x PRO45		
		SDR 11 x 33/ PN 10 x 3 / 150 x 45 PSI		
mm	inch	Z	R	Part Number
63 x 110	2 x 4	4.72	4.33	5304420
90 x 160	3 x 6	6.69	6.10	5304531
110 x 200	4 x 8	8.66	7.76	5304583
160 x 250	6 x 10	11.41	10.43	5304627
200 x 315	8 x 12	13.38	11.81	5304660
250 x 355	10 x 14	13.39	11.81	5304702
315 x 400	12 x 16	13.58	11.81	5304690
355 x 450	14 x 18	17.71	15.80	5304710
400 x 500	16 x 20	17.71	15.80	5304726

Size		PRO45 x PRO45		
		SDR 33 / PN 3 / 45 PSI		
mm	inch	Z	R	Part Number
110 x 200	4 x 8	8.66	7.76	5372583
160 x 250	6 x 10	11.41	10.43	5372627
200 x 315	8 x 12	13.38	11.81	5372660
250 x 355	10 x 14	13.40	11.80	5372702
315 x 400	12 x 16	13.80	11.80	5372690
355 x 450	14 x 18	17.71	15.80	5372710
400 x 500	16 x 20	17.71	15.80	5372726

Duo-Pro®  
 Pro150, Pro45



**45 DEGREE ELBOW**

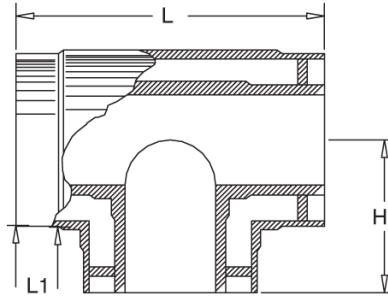
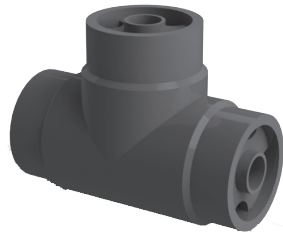
**Double Wall  
Piping System**

Size		PRO150 x PRO150	
		SDR 11/ PN 10/ 150 PSI	
mm	inch	L1	Part Number
32 x 90	1 x 3	4.00	5205134
63 x 110	2 x 4	4.25	5205420
90 x 160	3 x 6	6.00	5205531
110 x 200	4 x 8	6.50	5205583
160 x 250	6 x 10	8.50	5205627
200 x 315	8 x 12	10.00	5205660
250 x 355	10 x 14	8.50	5205702

Size		PRO150 x PRO45	
		SDR 11 x 33/ PN 10 x 3 / 150 x 45 PSI	
mm	inch	L1	Part Number
63 x 110	2 x 4	5.00	5307420
90 x 160	3 x 6	6.00	5307531
110 x 200	4 x 8	6.00	5307583
160 x 250	6 x 10	6.00	5307627
200 x 315	8 x 12	6.50	5307660
250 x 355	10 x 14	8.25	5307702
315 x 400	12 x 16	9.50	5307690
355 x 450	14 x 18	12.00	5307710
400 x 500	16 x 20	14.00	5307726

Size		PRO45 x PRO45	
		SDR 33 / PN 3 / 45 PSI	
mm	inch	L1	Part Number
110 x 200	4 x 8	6.00	5370583
160 x 250	6 x 10	6.00	5370627
200 x 315	8 x 12	6.25	5370660
250 x 355	10 x 14	8.25	5370702
315 x 400	12 x 16	9.50	5370690
355 x 450	14 x 18	12.00	5370710
400 x 500	16 x 20	14.00	5370726





**TEE**

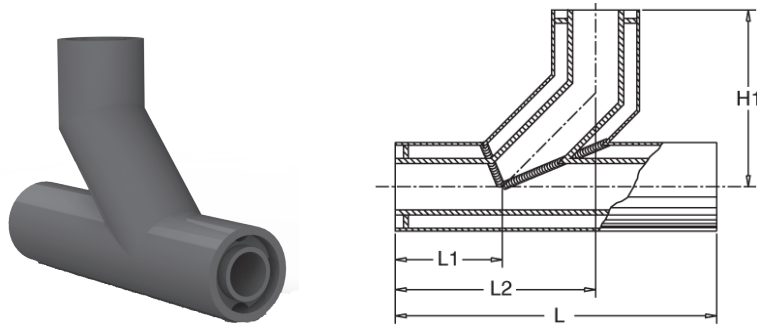
Size		PRO150 x PRO150 SDR 11/ PN 10/ 150 PSI		
mm	inch	L	H	Part Number
32 x 90	1 x 3	8.15	4.17	5201134
63 x 110	2 x 4	9.45	4.72	5201420
90 x 160	3 x 6	12.4	6.3	5201531
110 x 200	4 x 8	15.59	7.8	5201583
200 x 315	8 x 12	21.26	10.83	5201660
250 x 355	10 x 14	26.57	13.46	5201702

Note: 6x10 PRO150 x PRO150 TEE can be made custom. Contact factory for options.

Size		PRO150 x PRO45 SDR 11 x 33/ PN 10 x 3 / 150 x 45 PSI		
mm	inch	L	H	Part Number
63 x 110	2 x 4	8.46	4.29	5301420
90 x 160	3 x 6	10.94	5.51	5301531
110 x 200	4 x 8	13.39	6.69	5301583
160 x 250	6 x 10	17.25	8.66	5301627
200 x 315	8 x 12	21.06	10.63	5301660
250 x 355	10 x 14	26.93	13.46	5301702
315 x 400	12 x 16	27.36	13.78	5301690
355 x 450	14 x 18	35.43	17.72	5301710
400 x 500	16 x 20	35.43	17.72	5301726

Size		PRO45 x PRO45 SDR 33 / PN 3 / 45 PSI		
mm	inch	L	H	Part Number
110 x 200	4 x 8	17.24	8.66	5374583
160 x 250	6 x 10	21.06	10.63	5374627
200 x 315	8 x 12	26.93	13.46	5374660
250 x 355	10 x 14	27.36	13.78	5374702
315 x 400	12 x 16	35.43	17.72	5374690
355 x 450	14 x 18	35.43	17.72	5374710
400 x 500	16 x 20	35.43	17.72	5374726

Duo-Pro®  
 Pro150, Pro45



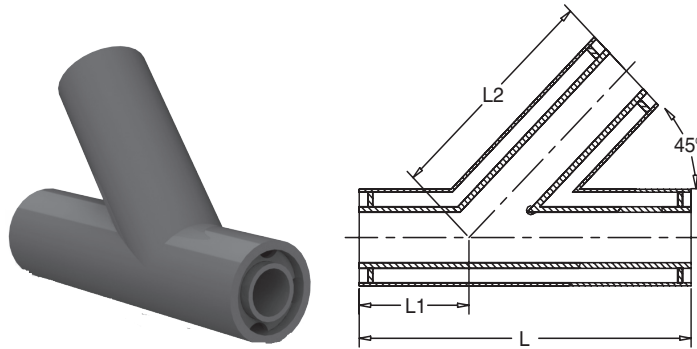
**SANITARY TEE**

Size		PRO150 x PRO150 SDR 11 / MOP 5 PSI				
mm	inch	L	L1	L2	H1	Part Number
32 x 90	1 x 3	18.00	6.00	12.00	10.00	5227134
63 x 110	2 x 4	18.00	6.00	12.00	10.00	5227420
90 x 160	3 x 6	24.00	8.00	16.00	13.00	5227531
110 x 200	4 x 8	30.00	10.00	20.00	16.00	5227583
160 x 250	6 x 10	36.00	12.00	24.00	18.50	5227627
200 x 315	8 x 12	42.00	14.00	28.00	21.75	5227660
250 x 355	10 x 14	48.00	16.00	32.00	24.25	5227702

Size		PRO150 x PRO45 SDR 11 x 33/ MOP 5 PSI				
mm	inch	L	L1	L2	H1	Part Number
63 x 110	2 x 4	18.00	6.00	12.00	10.00	5327420
90 x 160	3 x 6	24.00	8.00	16.00	13.00	5327531
110 x 200	4 x 8	30.00	10.00	20.00	16.00	5327583
160 x 250	6 x 10	36.00	12.00	24.00	18.50	5327627
200 x 315	8 x 12	42.00	14.00	28.00	21.75	5327660
250 x 355	10 x 14	48.00	16.00	32.00	24.25	5327702
315 x 400	12 x 16	54.00	18.00	36.00	28.00	5327690
355 x 450	14 x 18	60.00	20.00	40.00	31.25	5327710
400 x 500	16 x 20	66.00	22.00	44.00	34.75	5327726

Size		PRO45 x PRO45 SDR 33/ MOP 5 PSI				
mm	inch	L	L1	L2	H1	Part Number
110 x 200	4 x 8	30.00	10.00	20.00	16.00	5382583
160 x 250	6 x 10	36.00	12.00	24.00	18.50	5382627
200 x 315	8 x 12	42.00	14.00	28.00	21.75	5382660
250 x 355	10 x 14	48.00	16.00	32.00	24.25	5382702
315 x 400	12 x 16	54.00	18.00	36.00	28.00	5382690
355 x 450	14 x 18	60.00	20.00	40.00	31.25	5382710
400 x 500	16 x 20	66.00	22.00	44.00	34.75	5382726

Double Wall  
Piping System



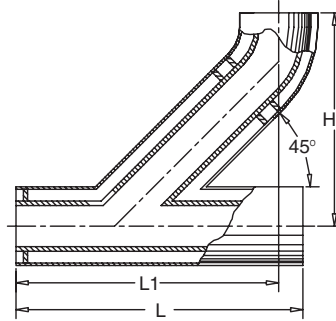
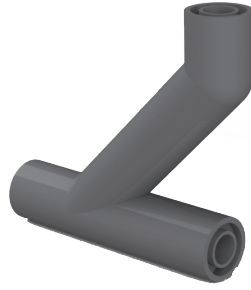
**LATERAL**

Size		PRO150 x PRO150 SDR 11/ MOP 5 PSI			
mm	inch	L	L1	L2	Part Number
32 x 90	1 x 3	18	6	12	5239134
63 x 110	2 x 4	18	6	12	5239420
90 x 160	3 x 6	24	8	16	5239531
110 x 200	4 x 8	30	10	20	5239583
160 x 250	6 x 10	26	12	24	5239627
200 x 315	8 x 12	42	14	28	5239660
250 x 355	10 x 14	48	16	32	5239702

Size		PRO150 x PRO45 SDR 11 x 33/ MOP 5 PSI			
mm	inch	L	L1	L2	Part Number
63 x 110	2 x 4	18	6	12	5340420
90 x 160	3 x 6	24	8	16	5340531
110 x 200	4 x 8	30	10	20	5340583
160 x 250	6 x 10	36	12	24	5340627
200 x 315	8 x 12	42	14	28	5340660
250 x 355	10 x 14	28	16	32	5340702
315 x 400	12 x 16	54	18	36	5340690
355 x 450	14 x 18	60	20	40	5340710
400 x 500	16 x 20	64	21	48	5340726

Size		PRO45 x PRO45 SDR 33/ MOP 5 PSI			
mm	inch	L	L1	L2	Part Number
110 x 200	4 x 8	20	10	20	5378583
160 x 250	6 x 10	36	12	24	5378627
200 x 315	8 x 12	42	14	28	5378660
250 x 355	10 x 14	48	16	32	5378702
315 x 400	12 x 16	54	18	36	5378690
355 x 450	14 x 18	60	20	40	5378710
400 x 500	16 x 20	64	21	48	5378726

Duo-Pro®  
 Pro150, Pro45



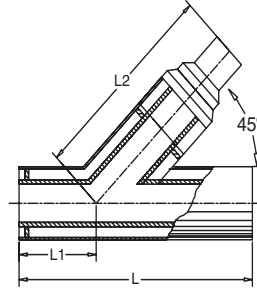
**LATERAL WITH 1/8 BEND**

Size		PRO150 x PRO150			
		SDR 11/ MOP 5 PSI			
mm	inch	L	L1	H1	Part Number
32 x 90	1 x 3	18	17.25	15.25	5237134
63 x 110	2 x 4	18	18	16.5	5237420
90 x 160	3 x 6	24	23.25	21.5	5237531
110 x 200	4 x 8	30	28.5	25	5237583
160 x 250	6 x 10	36	34.75	31.25	5237627
200 x 315	8 x 12	42	40.75	36.75	5237660
250 x 355	10 x 14	48	44.5	37	5237702

Size		PRO150 x PRO45			
		SDR 11 x 33/ MOP 5 PSI			
mm	inch	L	L1	H1	Part Number
63 x 110	2 x 4	18	18	16.5	5338420
90 x 160	3 x 6	24	23.25	21.5	5338531
110 x 200	4 x 8	30	28.5	24	5338583
160 x 250	6 x 10	36	33	26.75	5338627
200 x 315	8 x 12	42	38.125	30.375	5338660
250 x 355	10 x 14	48	45.5	39.125	5338702
315 x 400	12 x 16	54	51.75	45.375	5338690
355 x 450	14 x 18	60	56.5	48.25	5338710
400 x 500	16 x 20	64	60	52.5	5338726

Size		PRO45 x PRO45			
		SDR 33/ MOP 5 PSI			
mm	inch	L	L1	H1	Part Number
110 x 200	4 x 8	30	38.5	24	5380583
160 x 250	6 x 10	36	33	26.75	5380627
200 x 315	8 x 12	42	38.125	30.375	5380660
250 x 355	10 x 14	48	45.5	39.125	5380702
315 x 400	12 x 16	54	51.75	45.375	5380690
355 x 450	14 x 18	60	56.5	48.25	5380710
400 x 500	16 x 20	64	60	52.5	5380726

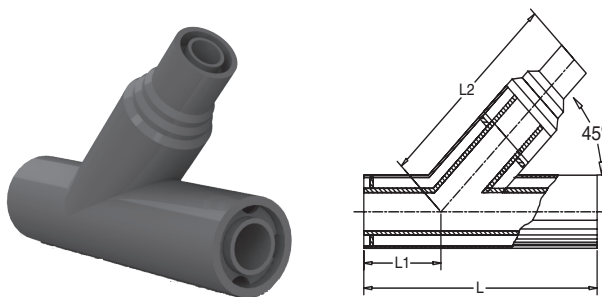
Double Wall Piping System



**REDUCING LATERAL**

Size		PRO150 x PRO150 SDR 11/ MOP 5 PSI			
		L	L1	L2	Part Number
mm	inch				
(90 x 63)(160 x 110)	(3 x 2)(6 x 4)	24	8	16.5	5235743
(110 x 63)(200 x 110)	(4 x 2)(8 x 4)	30	10	25.25	5235744
(140 x 90)(200 x 160)	(4 x 3)(8 x 6)	30	10	22	5235746
(160 x 63)(250 x 110)	(6 x 2)(10 x 4)	36	12	30	5235892
(160 x 90)(250 x 160)	(6 x 3)(10 x 6)	36	12	27	5235747
(160 x 110)(250 x 200)	(6 x 4)(10 x 8)	36	12	25.25	5235748
(200 x 63)(315 x 110)	(8 x 2)(12 x 4)	42	14	36	5235890
(200 x 90)(315 x 160)	(8 x 3)(12 x 6)	42	14	34.5	5235896
(200 x 110)(315 x 200)	(8 x 4)(12 x 8)	42	14	32.75	5235895
(200 x 160)(315 x 250)	(8 x 6)(12 x 10)	42	14	29.75	5235893
(250 x 90) (355 x 160)	(10 x 3)(14 x 6)	48	16	39	5235898
250 x 110(355 x 200)	(10 x 4)(14 x 8)	48	16	37.5	5235903
(250 x 160) (355 x 250)	(10 x 6)(14 x 10)	48	16	34.5	5235902
(250 x 200)(355 x 315)	(10 x 8)(14 x 12)	48	16	30.5	5235899

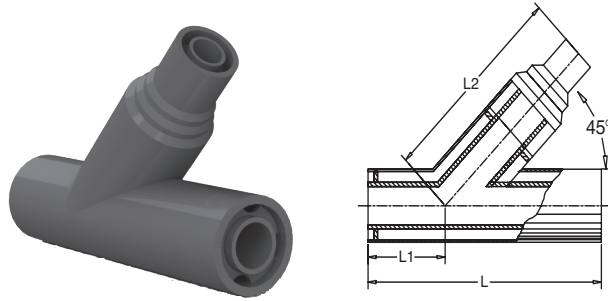
Duo-Pro®  
 Pro150, Pro45



**REDUCING LATERAL**

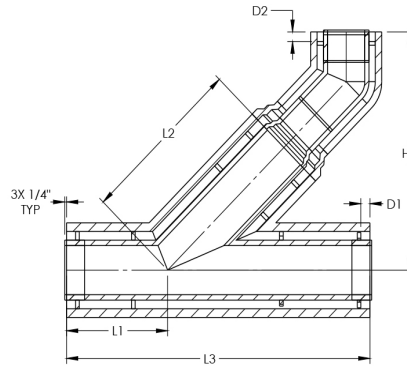
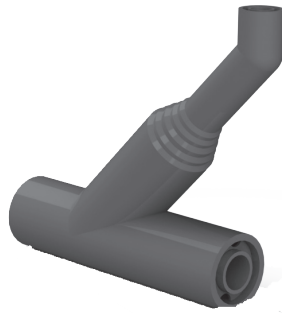
Size		PRO150 x PRO45			
		SDR 11 x 33/ MOP 5 PSI			
mm	inch	L	L1	L2	Part Number
(90 x 63)(160 x 110)	(3 x 2)(6 x 4)	24	8	16.5	5336743
(110 x 63)(200 x 110)	(4 x 2)(8 x 4)	30	10	25.25	5336744
(140 x 90)(200 x 160)	(4 x 3)(8 x 6)	30	10	22	5336746
(160 x 63)(250 x 110)	(6 x 2)(10 x 4)	36	12	31.75	5336892
(160 x 90)(250 x 160)	(6 x 3)(10 x 6)	36	12	27	5336747
(160 x 110)(250 x 200)	(6 x 4)(10 x 8)	36	12	25.25	5336748
(200 x 63)(315 x 110)	(8 x 2)(12 x 4)	42	14	36.37	5336890
(200 x 90)(315 x 160)	(8 x 3)(12 x 6)	42	14	34.5	5336896
(200 x 110)(315 x 200)	(8 x 4)(12 x 8)	42	14	32.75	5336895
(200 x 160)(315 x 250)	(8 x 6)(12 x 10)	42	14	29.75	5336893
(250 x 90)(355 x 160)	(10 x 3)(14 x 6)	48	16	40.37	5336898
250 x 110)(355 x 200)	(10 x 4)(14 x 8)	48	16	37.5	5336903
(250 x 160)(355 x 250)	(10 x 6)(14 x 10)	48	16	34.5	5336902
(250 x 200)(355 x 315)	(10 x 8)(14 x 12)	48	16	30.5	5336899
(315 x 110)(400 x 200)	(12 x 4)(16 x 8)	54	18	45	5336923
(315 x 160)(400 x 200)	(12 x 6)(16 x 10)	54	18	43.5	5336904
(315 x 200)(400 x 355)	(12 x 8)(16 x 12)	54	18	40.5	5336915
(355 x 250)(400 x 355)	(12 x 10)(16 x 14)	54	18	36.15	5336910
(355 x 200)(450 x 355)	(14 x 8)(18 x 12)	60	20	40	5336916
(355 x 250)(450 x 355)	(14 x 10)(18 x 14)	60	20	40	5336921
(355 x 315)(450 x 400)	(14 x 12)(18 x 16)	60	20	40	5336928
(400 x 200)(500 x 315)	(16 x 8)(20 x 12)	64	22	44	5336917
(400 x 250)(500 x 450)	(16 x 10)(20 x 14)	64	22	44	5336922
(400 x 315)(500 x 400)	(16 x 12)(20 x 16)	64	22	44	5336912
(400 x 355)(500 x 450)	(16 x 14)(20 x 18)	64	22	44	5336913

Double Wall Piping System



**REDUCING LATERAL**

Size		PRO45 x PRO45 SDR 33/ MOP 5 PSI			
mm	inch	L	L1	L3	Part Number
(160 x 110)(250 x 200)	(6 x 4)(10 x 8)	36	12	25.25	5383748
(200 x 63)(315 x 110)	(8 x 2)(12 x 4)	42	14	36.37	5383890
(200 x 90)(315 x 160)	(8 x 3)(12 x 6)	42	14	34.50	5383896
(200 x 110)(315 x 200)	(8 x 4)(12 x 8)	42	14	32.75	5383895
(200 x 160)(315 x 250)	(8 x 6)(12 x 10)	42	14	29.75	5383893
(250 x 90)(355 x 160)	(10 x 3)(14 x 6)	48	16	40.37	5383898
250 x 110)(355 x 200)	(10 x 4)(14 x 8)	48	16	37.50	5383903
(250 x 160)(355 x 250)	(10 x 6)(14 x 10)	48	16	34.50	5383902
(250 x 200)(355 x 315)	(10 x 8)(14 x 12)	48	16	30.50	5383899
(315 x 110)(400 x 200)	(12 x 4)(16 x 8)	54	18	44.00	5383923
(315 x 160)(400 x 200)	(12 x 6)(16 x 10)	54	18	41.00	5383904
(315 x 200)(400 x 355)	(12 x 8)(16 x 12)	54	18	37.50	5383915
(355 x 250)(400 x 355)	(12 x 10)(16 x 14)	54	18	35.65	5383910
(355 x 200)(450 x 355)	(14 x 8)(18 x 12)	60	20	40	5383916
(355 x 250)(450 x 355)	(14 x 10)(18 x 14)	60	20	40	5383921
(355 x 315)(450 x 400)	(14 x 12)(18 x 16)	60	20	40	5383928
(400 x 200)(500 x 315)	(16 x 8)(20 x 12)	64	22	44	5383917
(400 x 250)(500 x 450)	(16 x 10)(20 x 14)	64	22	44	5383922
(400 x 315)(500 x 400)	(16 x 12)(20 x 16)	64	22	44	5383912
(400 x 355)(500 x 450)	(16 x 14)(20 x 18)	64	22	44	5383913

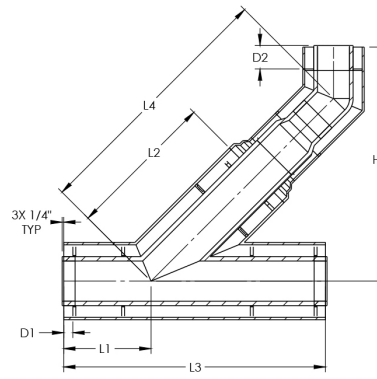


**REDUCING LATERAL WITH 1/8 BEND**

Size		PRO150 x PRO150						
		SDR 11/ MOP 5 PSI						
mm	inch	L1	L2	L3	H1	D1	D2	Part Number
(90 x 63)(160 x 110)	(3 x 2)(6 x 4)	8.00	10.25	24.00	20.25	0.75	.625	5237743
(110 x 63)(200 x 110)	(4 x 2)(8 x 4)	10.00	16.50	30.00	26.25	1.00	.625	5237744
(140 x 90)(200 x 160)	(4 x 3)(8 x 6)	10.00	16.50	36.00	25.75	1.00	.075	5237746
(160 x 63)(250 x 110)	(6 x 2)(10 x 4)	12.00	18.25	36.00	28.00	1.25	.625	5237892
(160 x 90)(250 x 160)	(6 x 3)(10 x 6)	12.00	18.25	36.00	29.25	1.25	0.75	5237747
(160 x 110)(250 x 200)	(6 x 4)(10 x 8)	12.00	18.25	36.00	28.00	1.25	1.00	5237748
(200 x 63)(315 x 110)	(8 x 2)(12 x 4)	14.00	22.75	42.00	35.00	1.25	.625	5237890
(200 x 90)(315 x 160)	(8 x 3)(12 x 6)	14.00	22.75	42.00	34.75	1.25	.075	5237896
(200 x 110)(315 x 200)	(8 x 4)(12 x 8)	14.00	22.75	42.00	33.50	1.25	1.00	5237895
(200 x 160)(315 x 250)	(8 x 6)(12 x 10)	14.00	22.75	42.00	31.25	1.25	1.25	5237893
(250 x 90)(355 x 160)	(10 x 3)(14 x 6)	16.00	25.00	48.00	36.00	1.25	0.75	5237898
250 x 110)(355 x 200)	(10 x 4)(14 x 8)	16.00	25.00	48.00	37.00	1.25	1.00	5237903
(250 x 160)(355 x 250)	(10 x 6)(14 x 10)	16.00	25.00	48.00	34.50	1.25	1.25	5237902
(250 x 200)(355 x 315)	(10 x 8)(14 x 12)	16.00	25.00	48.00	32.00	1.25	1.25	5237899

Double Wall Piping System

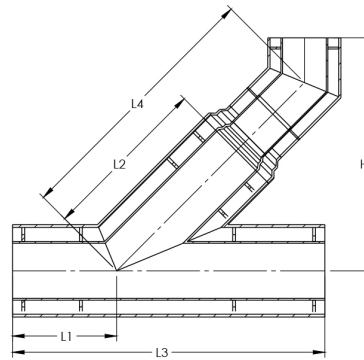
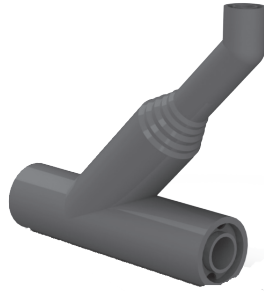




**REDUCING LATERAL WITH 1/8 BEND**

Size		PRO150 x PRO45							
		SDR 11 x 33/ MOP 5							
mm	inch	L1	L2	L3	L4	H1	D1	D2	Part Number
(90 x 63)(160 x 110)	(3 x 2)(6 x 4)	8.00	12.50	24.00	21.50	20.25	.75	.625	5338743
(110 x 63)(200 x 110)	(4 x 2)(8 x 4)	10.00	16.50	30.00	30.00	26.25	1.00	.625	5338744
(140 x 90)(200 x 160)	(4 x 3)(8 x 6)	10.00	16.50	36.00	28.00	25.75	1.00	.625	5338746
(160 x 63)(250 x 110)	(6 x 2)(10 x 4)	12.00	18.25	36.00	33.75	29.25	1.25	.625	5338892
(160 x 90)(250 x 160)	(6 x 3)(10 x 6)	12.00	18.25	36.00	32.75	29.25	1.25	.75	5338747
(160 x 110)(250 x 200)	(6 x 4)(10 x 8)	12.00	18.25	36.00	31.00	28.00	1.25	1.00	5338748
(200 x 90)(315 x 160)	(8 x 3)(12 x 6)	14.00	22.75	42.00	40.50	34.75	1.25	.75	5338896
(200 x 110)(315 x 200)	(8 x 4)(12 x 8)	14.00	22.75	42.00	38.75	33.50	1.25	1.00	5338895
(200 x 160)(315 x 250)	(8 x 6)(12 x 10)	14.00	22.75	42.00	35.75	31.25	1.25	1.25	5338893
250 x 110)(355 x 200)	(10 x 4)(14 x 8)	16.00	25.00	48.00	43.50	37.00	1.25	1.00	5338903
(250 x 160)(355 x 250)	(10 x 6)(14 x 10)	16.00	25.00	48.00	40.50	34.50	1.25	1.25	5338902
(250 x 200)(355 x 315)	(10 x 8)(14 x 12)	16.00	25.00	48.00	37.00	32.00	1.25	1.25	5338899
(315 x 110)(400 x 200)	(12 x 4)(16 x 8)	18.00	26.50	54.00	44.00	37.00	1.25	1.00	5338923
(315 x 160)(400 x 200)	(12 x 6)(16 x 10)	18.00	26.50	54.00	44.00	37.00	1.25	1.25	5338904
(315 x 200)(400 x 355)	(12 x 8)(16 x 12)	18.00	26.50	54.00	41.50	35.00	1.25	1.25	5338915
(355 x 250)(400 x 355)	(12 x 10)(16 x 14)	18.00	26.50	54.00	41.50	35.00	1.25	1.25	5338910
(355 x 200)(450 x 355)	(14 x 8)(18 x 12)	20.00	40.00	60.00	46.00	38.25	1.25	1.00	5338916
(355 x 250)(450 x 355)	(14 x 10)(18 x 14)	20.00	40.00	60.00	46.00	38.25	1.25	1.25	5338921
(355 x 315)(450 x 400)	(14 x 12)(18 x 16)	20.00	40.00	60.00	46.50	38.50	1.25	1.25	5338928

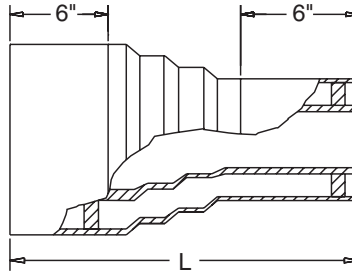
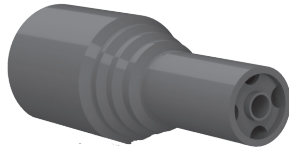
Duo-Pro®  
 Pro150, Pro45



**REDUCING LATERAL WITH 1/8 BEND**

**Double Wall  
Piping System**

Size		PRO45 x PRO45						Part Number
		SDR 33/ MOP 5 PSI						
mm	inch	L1	L2	L3	L4	H1		
(160 x 110)(250 x 200)	(6 x 4)(10 x 8)	12.00	18.25	36.00	31.00	28.00	5380748	
(200 x 63)(315 x 110)	(8 x 2)(12 x 4)	14.00	22.75	42.00	38.75	32.00	5380890	
(200 x 110)(315 x 200)	(8 x 4)(12 x 8)	14.00	22.75	42.00	38.75	33.50	5380895	
(200 x 160)(315 x 250)	(8 x 6)(12 x 10)	14.00	22.75	42.00	35.75	31.25	5380893	
(250 x 90) (355 x 160)	(10 x 3)(14 x 6)	16.00	25.00	48.00	42.00	37.00	5280898	
250 x 110)(355 x 200)	(10 x 4)(14 x 8)	16.00	25.00	48.00	43.50	37.00	5380903	
(250 x 160) (355 x 250)	(10 x 6)(14 x 10)	16.00	25.00	48.00	40.50	34.50	5380902	
(250 x 200)(355 x 315)	(10 x 8)(14 x 12)	16.00	25.00	48.00	37.00	32.00	5380899	
(315 x 110)(400 x 200)	(12 x 4)(16 x 8)	18.00	26.50	54.00	42.00	36.00	5380923	
(315 x 160) (400 x 200)	(12 x 6)(16 x 10)	18.00	26.50	54.00	44.00	37.00	5380904	
(315 x 200)(400 x 355)	(12 x 8)(16 x 12)	18.00	26.50	54.00	41.50	35.00	5380915	
(355 x 250) (400 x 355)	(12 x 10)(16 x 14)	18.00	26.50	54.00	45.00	37.00	5380910	
(355 x 200)(450 x 355)	(14 x 8)(18 x 12)	20.00	40.00	60.00	46.00	38.25	5380916	
(355 x 250) (450 x 355)	(14 x 10)(18 x 14)	20.00	40.00	60.00	46.00	38.25	5380921	
(355 x 315) (450 x 400)	(14 x 12)(18 x 16)	20.00	40.00	60.00	46.00	38.50	5380928	

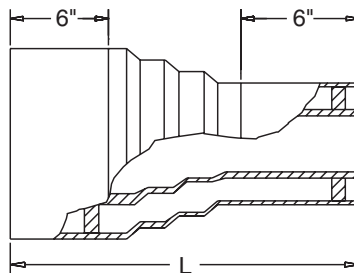
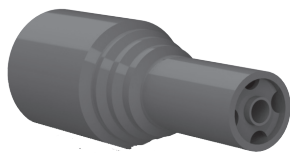


**CONCENTRIC REDUCER**

Size		PRO150 x PRO150 SDR 11/ PN 10/ 150 PSI	
mm	inch	L	Part Number
(63 x 32)(110 x 90)	(2 x 1)(4 x 3)	7.125	5256740
(90 x 32)(160 x 90)	(3 x 1)(6 x 3)	16.5	5256741
(90 x 63)(160 x 110)	(3 x 2)(6 x 4)	15.25	5256743
(110 x 63)(200 x 110)	(4 x 2)(8 x 4)	17.75	5256744
(110 x 90)(200 x 160)	(4 x 3)(8 x 6)	14.5	5256746
(160 x 110)(250 x 200)	(6 x 4)(10 x 8)	15.75	5256748
(160 x 90)(250 x 160)	(6 x 3)(10 x 6)	17.75	5256747
(160 x 63)(250 x 110)	(6 x 2)(10 x 4)	19	5256892
(200 x 160)(315 x 250)	(8 x 6)(12 x 10)	16	5256893
(200 x 110)(315 x 200)	(8 x 4)(12 x 8)	19	5256895
(200 x 90)(315 x 160)	(8 x 3)(12 x 6)	21	5256896
(250 x 200)(355 x 315)	(10 x 8)(14 x 12)	14.5	5256899
(250 x 160)(355 x 250)	(10 x 6)(14 x 10)	18.5	5256902
(250 x 110)(355 x 200)	(10 x 4)(14 x 8)	21.5	5256903
(315 x 250)(400 x 355)	(12 x 10)(16 x 14)	15	5256910
(315 x 200)(400 x 315)	(12 x 8)(16 x 12)	16.8	5256915
(315 x 160)(400 x 250)	(12 x 6)(16 x 10)	20.5	5256904
(355 x 315)(450 x 400)	(14 x 12)(18 x 16)	15	5256928
(355 x 250)(450 x 355)	(14 x 10)(18 x 14)	17	5256921
(355 x 200)(450 x 315)	(14 x 8)(18 x 12)	18.5	5256916

Size		PRO150 x PRO45 SDR 11 x 33/ PN 10 x 3 / 150 x 45 PSI	
mm	inch	L	Part Number
(63 x 32)(110 x 90)	(2 x 1)(4 x 3)	7.125	5361740
(90 x 32)(160 x 90)	(3 x 1)(6 x 3)	16.5	5361741
(90 x 63)(160 x 110)	(3 x 2)(6 x 4)	15.25	5361743
(110 x 63)(200 x 110)	(4 x 2)(8 x 4)	17.75	5361744
(110 x 90)(200 x 160)	(4 x 3)(8 x 6)	14.5	5361746
(160 x 110)(250 x 200)	(6 x 4)(10 x 8)	15.75	5361748
(160 x 90)(250 x 160)	(6 x 3)(10 x 6)	17.75	5361747
(160 x 63)(250 x 110)	(6 x 2)(10 x 4)	19	5361892
(200 x 160)(315 x 250)	(8 x 6)(12 x 10)	16	5361893
(200 x 110)(315 x 200)	(8 x 4)(12 x 8)	19	5361895
(200 x 90)(315 x 160)	(8 x 3)(12 x 6)	21	5361896
(250 x 200)(355 x 315)	(10 x 8)(14 x 12)	14.5	5361899
(250 x 160)(355 x 250)	(10 x 6)(14 x 10)	18.5	5361902
(250 x 110)(355 x 200)	(10 x 4)(14 x 8)	21.5	5361903
(315 x 250)(400 x 355)	(12 x 10)(16 x 14)	15	5361910
(315 x 200)(400 x 315)	(12 x 8)(16 x 12)	16.8	5361915
(315 x 160)(400 x 250)	(12 x 6)(16 x 10)	20.5	5361904
(355 x 315)(450 x 400)	(14 x 12)(18 x 16)	15	5361928
(355 x 250)(450 x 355)	(14 x 10)(18 x 14)	17	5361921
(355 x 200)(450 x 315)	(14 x 8)(18 x 12)	18.5	5361916

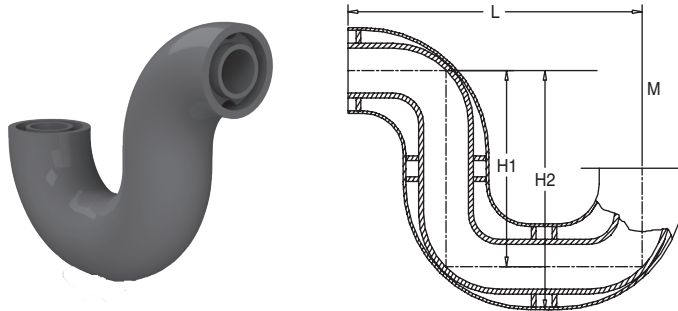
Duo-Pro®  
 Pro150, Pro45



### CONCENTRIC REDUCER

Size		PRO45 x PRO45	
		SDR 33 / PN 3 / 45 PSI	
mm	inch	L	Part Number
(160 x 110)(250 x 200)	(6 x 4)(10 x 8)	15.75	5384748
(200 x 160)(315 x 250)	(8 x 6)(12 x 10)	16	5384893
(200 x 110)(315 x 200)	(8 x 4)(12 x 8)	19	5384895
(250 x 200)(355 x 315)	(10 x 8)(14 x 12)	14.5	5384899
(250 x 160)(355 x 250)	(10 x 6)(14 x 10)	18.5	5384902
(250 x 110)(355 x 200)	(10 x 4)(14 x 8)	21.5	5384903
(315 x 250)(400 x 355)	(12 x 10)(16 x 14)	20.5	5384910
(315 x 200)(400 x 315)	(12 x 8)(16 x 12)	16.5	5384915
(315 x 160)(400 x 250)	(12 x 6)(16 x 10)	15	5384904
(355 x 315)(450 x 400)	(14 x 12)(18 x 16)	18.5	5384928
(355 x 250)(450 x 355)	(14 x 10)(18 x 14)	17	5384921
(355 x 200)(450 x 315)	(14 x 8)(18 x 12)	15	5384916

Double Wall Piping System



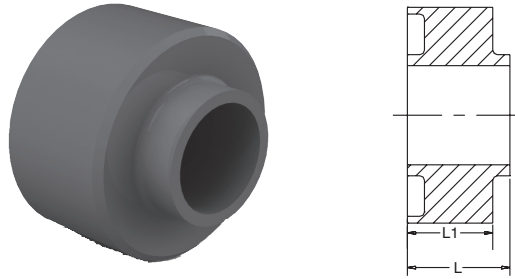
**P-TRAP**

Size		PRO150 x PRO150			
		SDR 11/ PN 10/ 5 PSI			
mm	inch	L	H1	H2	Part Number
32 x 90	1 x 3	11.625	7.625	9.375	5213134
63 x 110	2 x 4	14.375	9.5	11.75	5213420
90 x 160	3 x 6	21	13.875	17.125	5213531
110 x 200	4 x 8	23.375	15.5	19.375	5213583
160 x 250	6 x 10	33.5	22.25	27.125	5213627
200 x 315	8 x 12	40	26.5	32.75	5213660

Size		PRO150 x PRO45			
		SDR 11 x 33/ PN 10 x 3 / MOP 5 PSI			
mm	inch	L	H1	H2	Part Number
63 x 110	2 x 4	14.375	9.5	11.75	5315420
90 x 160	3 x 6	21	13.875	17.125	5315531
110 x 200	4 x 8	23.375	15.5	19.375	5315583
160 x 250	6 x 10	33.5	22.25	27.125	5315627
200 x 315	8 x 12	40	26.5	32.75	5315660
250 x 355	10 x 14	42.5	26.8	36.5	5315702

Size		PRO45 x PRO45			
		SDR 33 / PN 3 / MOP 5 PSI			
mm	inch	L	H1	H2	Part Number
110 x 200	4 x 8	23.375	15.5	19.375	5376583
160 x 250	6 x 10	33.5	22.25	27.125	5376627
200 x 315	8 x 12	40	26.5	32.75	5376660
250 x 355	10 x 14	42.5	26.8	36.5	5376702

Duo-Pro®  
 Pro150, Pro45



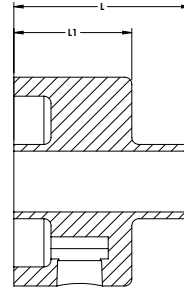
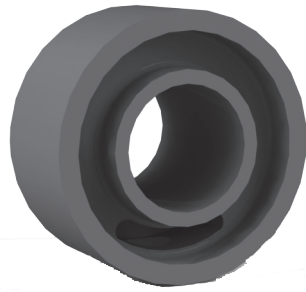
**DOGBONE® END TERMINATION**

Size		PRO150 x PRO150 SDR 11/ PN 10/ 150 PSI		
mm	inch	L	L1	Part Number
32 x 90	1 x 3	3.00	2.25	5247134
63 x 110	2 x 4	3.00	2.25	5247420
90 x 160	3 x 6	3.00	2.25	5247531
110 x 200	4 x 8	3.00	2.25	5247583
160 x 250	6 x 10	3.00	2.25	5247627
200 x 315	8 x 12	3.00	2.25	5247660
250 x 355	10 x 14	2.25	1.50	5247702

Size		PRO150 x PRO45 SDR 11 x 33/ PN 10 x 3 / 150 x 45 PSI		
mm	inch	L	L1	Part Number
63 x 110	2 x 4	3.00	2.25	5333420
90 x 160	3 x 6	3.00	2.25	5333531
110 x 200	4 x 8	3.00	2.25	5333583
160 x 250	6 x 10	3.00	2.25	5333627
200 x 315	8 x 12	3.00	2.25	5333660
250 x 355	10 x 14	2.25	1.50	5333702
315 x 400	12 x 16	2.25	1.50	5333690
355 x 450	14 x 18	2.25	1.50	5333710
400 x 500	16 x 20	2.25	1.50	5333726

Size		PRO45 x PRO45 SDR 33 / PN 3 / 45 PSI		
mm	inch	L	L1	Part Number
110 x 200	4 x 8	3.00	2.25	5367583
160 x 250	6 x 10	3.00	2.25	5367627
200 x 315	8 x 12	3.00	2.25	5367660
250 x 355	10 x 14	2.25	1.50	5367702
315 x 400	12 x 16	2.25	1.50	5367690
355 x 450	14 x 18	2.25	1.50	5367710
400 x 500	16 x 20	2.25	1.50	5367726

Double Wall Piping System



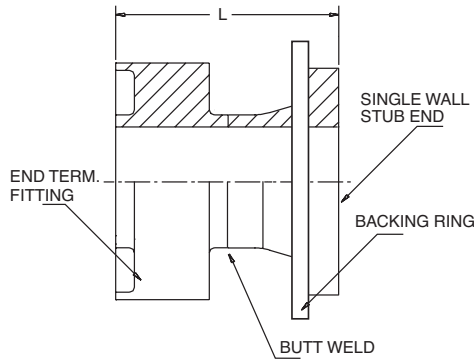
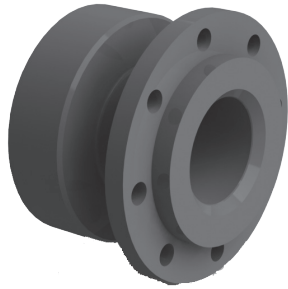
**DOG BONE® END TERMINATION WITH 1/2" TAP**

Size		PRO150 x PRO150		
		SDR 11/ PN 10/ 150 PSI		
mm	inch	L	L1	Part Number
32 x 90	1 x 3	3	2.25	5248134
63 x 110	2 x 4	3	2.25	5248420
90 x 160	3 x 6	3	2.25	5248531
110 x 200	4 x 8	3	2.25	5248583
160 x 250	6 x 10	3	2.25	5248627
200 x 315	8 x 12	3	2.25	5248660
250 x 355	10 x 14	3.5	1.50	5248702

Size		PRO150 x PRO45		
		SDR 11 x 33/ PN 10 x 3 / 150 x 45 PSI		
mm	inch	L	L1	Part Number
63 x 110	2 x 4	3	2.25	5334420
90 x 160	3 x 6	3	2.25	5334531
110 x 200	4 x 8	3	2.25	5334583
160 x 250	6 x 10	3	2.25	5334627
200 x 315	8 x 12	3	2.25	5334660
250 x 355	10 x 14	3.5	1.50	5334702
315 x 400	12 x 16	3.5	1.50	5334690
355 x 450	14 x 18	3.5	1.50	5334710
400 x 500	16 x 20	3.5	1.50	5334726

Size		PRO45 x PRO45		
		SDR 33 / PN 3 / 45 PSI		
mm	inch	L	L1	Part Number
110 x 200	4 x 8	3	2.25	5368583
160 x 250	6 x 10	3	2.25	5368627
200 x 315	8 x 12	3	2.25	5368660
250 x 355	10 x 14	3.5	1.50	5368702
315 x 400	12 x 16	3.5	1.50	5368690
355 x 450	14 x 18	3.5	1.50	5368710
400 x 500	16 x 20	3.5	1.50	5368726

Duo-Pro®  
 Pro150, Pro45



**DOGBONE® FLANGED END TERMINATION**

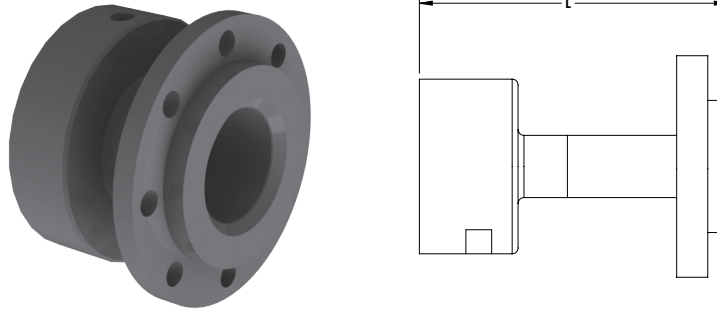
Size		PRO150 x PRO150 SDR 11/ PN 10/ 150 PSI	
mm	inch	L	Part Number
32 x 90	1 x 3	4.75	5249134
63 x 110	2 x 4	4.75	5249420
90 x 160	3 x 6	6	5249531
110 x 200	4 x 8	6	5249583
160 x 250	6 x 10	6	5249627
200 x 315	8 x 12	6	5249660
250 x 355	10 x 14	7	5249702

Size		PRO150 x PRO45 SDR 11 x 33/ PN 10 x 3 / 150 x 45 PSI	
mm	inch	L	Part Number
63 x 110	2 x 4	4.75	5335420
90 x 160	3 x 6	6	5335531
110 x 200	4 x 8	6	5335583
160 x 250	6 x 10	6	5335627
200 x 315	8 x 12	6	5335660
250 x 355	10 x 14	7	5335702
315 x 400	12 x 16	7.25	5335690
355 x 450	14 x 18	6.75	5335710
400 x 500	16 x 20	6.75	5335726

Size		PRO45 x PRO45 SDR 33 / PN 3 / 45 PSI	
mm	inch	L	Part Number
110 x 200	4 x 8	6	5369583
160 x 250	6 x 10	6	5369627
200 x 315	8 x 12	6	5369660
250 x 355	10 x 14	7	5369702
315 x 400	12 x 16	7.25	5369690
355 x 450	14 x 18	6.75	5369710
400 x 500	16 x 20	6.75	5369726

Double Wall Piping System





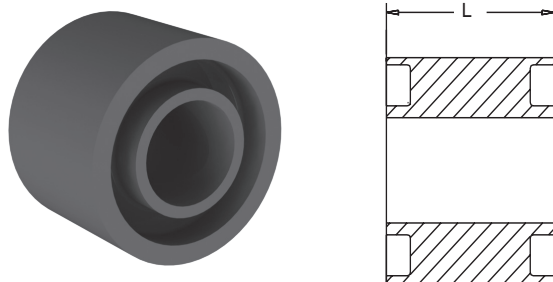
**DOGBONE® FLANGED END TERMINATION WITH 1/2" TAP**

Size		PRO150 x PRO150	
		SDR 11/ PN 10/ 150 PSI	
mm	inch	L	Part Number
32 x 90	1 x 3	4.75	5250134
63 x 110	2 x 4	4.75	5250420
90 x 160	3 x 6	6	5250531
110 x 200	4 x 8	6	5250583
160 x 250	6 x 10	6	5250627
200 x 315	8 x 12	6	5250660
250 x 355	10 x 14	7	5250702

Size		PRO150 x PRO45	
		SDR 11 x 33/ PN 10 x 3 / 150 x 45 PSI	
mm	inch	L	Part Number
63 x 110	2 x 4	4.75	5339420
90 x 160	3 x 6	6	5339531
110 x 200	4 x 8	6	5339583
160 x 250	6 x 10	6	5339627
200 x 315	8 x 12	6	5339660
250 x 355	10 x 14	7	5339702
315 x 400	12 x 16	7.25	5339690
355 x 450	14 x 18	6.75	5339710
400 x 500	16 x 20	6.75	5339726

Size		PRO45 x PRO45	
		SDR 33 / PN 3 / 45 PSI	
mm	inch	L	Part Number
110 x 200	4 x 8	6	5371583
160 x 250	6 x 10	6	5371627
200 x 315	8 x 12	6	5371660
250 x 355	10 x 14	7	5371702
315 x 400	12 x 16	7.25	5371690
355 x 450	14 x 18	6.75	5371710
400 x 500	16 x 20	6.75	5371726

Duo-Pro®  
 Pro150, Pro45



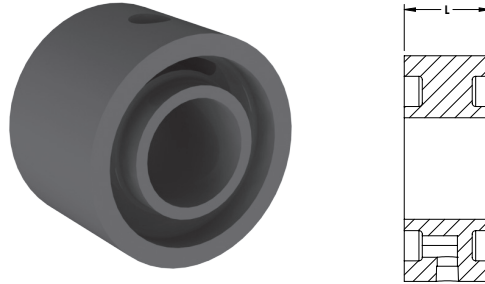
**SOLID DOGBONE®**

Size		PRO150 x PRO150 SDR 11/ PN 10/ 150 PSI	
mm	inch	L	Part Number
32 x 90	1 x 3	3.00	5216134
63 x 110	2 x 4	3.00	5216420
90 x 160	3 x 6	3.00	5216531
110 x 200	4 x 8	3.00	5216583
160 x 250	6 x 10	3.00	5216627
200 x 315	8 x 12	3.00	5216660
250 x 355	10 x 14	2.25	5216702

Size		PRO150 x PRO45 SDR 11 x 33/ PN 10 x 3 / 150 x 45 PSI	
mm	inch	L	Part Number
63 x 110	2 x 4	3.00	5318420
90 x 160	3 x 6	3.00	5318531
110 x 200	4 x 8	3.00	5318583
160 x 250	6 x 10	3.00	5318627
200 x 315	8 x 12	3.00	5318660
250 x 355	10 x 14	2.25	5318702
315 x 400	12 x 16	2.25	5318690
355 x 450	14 x 18	2.25	5318710
400 x 500	16 x 20	2.25	5318726

Size		PRO45 x PRO45 SDR 33 / PN 3 / 45 PSI	
mm	inch	L	Part Number
110 x 200	4 x 8	3.00	5392583
160 x 250	6 x 10	3.00	5392627
200 x 315	8 x 12	3.00	5392660
250 x 355	10 x 14	2.25	5392702
315 x 400	12 x 16	2.25	5392690
355 x 450	14 x 18	2.25	5392710
400 x 500	16 x 20	2.25	5392726

Double Wall  
Piping System

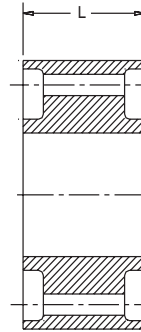
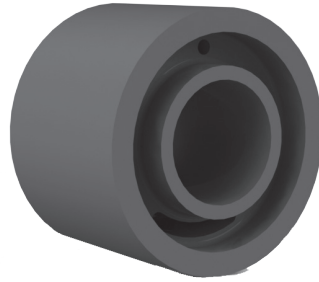
**SOLID DOGBONE® WITH TAP**

Size		PRO150 x PRO150 SDR 11/ PN 10/ 150 PSI	
mm	inch	L	Part Number
32 x 90	1 x 3	3	5214134
63 x 110	2 x 4	3	5214420
90 x 160	3 x 6	3	5214531
110 x 200	4 x 8	3	5214583
160 x 250	6 x 10	3	5214627
200 x 315	8 x 12	3	5214660
250 x 355	10 x 14	3	5214702

Size		PRO150 x PRO45 SDR 11 x 33/ PN 10 x 3 / 150 x 45 PSI	
mm	inch	L	Part Number
63 x 110	2 x 4	3	5314420
90 x 160	3 x 6	3	5314531
110 x 200	4 x 8	3	5314583
160 x 250	6 x 10	3	5314627
200 x 315	8 x 12	3	5314660
250 x 355	10 x 14	3	5314702

Size		PRO45 x PRO45 SDR 33 / PN 3 / 45 PSI	
mm	inch	L	Part Number
110 x 200	4 x 8	3	5398583
160 x 250	6 x 10	3	5398627
200 x 315	8 x 12	3	5398660
250 x 355	10 x 14	3	5398702
315 x 400	12 x 16	3	5398690
355 x 450	14 x 18	3	5398710
400 x 500	16 x 20	3	5398726

Duo-Pro®  
 Pro150, Pro45



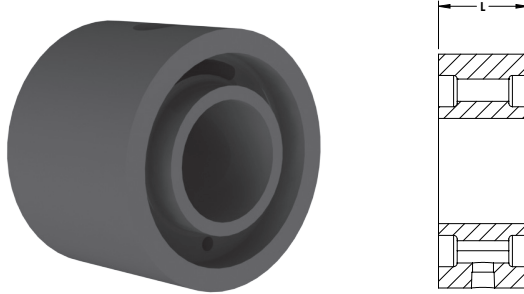
**ANNULAR DOGBONE®**

Size		PRO150 x PRO150 SDR 11/ PN 10/ 150 PSI	
mm	inch	L	Part Number
32 x 90	1 x 3	3	5218134
63 x 110	2 x 4	3	5218420
90 x 160	3 x 6	3	5218531
110 x 200	4 x 8	3	5218583
160 x 250	6 x 10	3	5218627
200 x 315	8 x 12	3	5218660
250 x 355	10 x 14	3	5218702

Size		PRO150 x PRO45 SDR 11 x 33/ PN 10 x 3 / 150 x 45 PSI	
mm	inch	L	Part Number
63 x 110	2 x 4	3	5321420
90 x 160	3 x 6	3	5321531
110 x 200	4 x 8	3	5321583
160 x 250	6 x 10	3	5321627
200 x 315	8 x 12	3	5321660
250 x 355	10 x 14	3	5321702
315 x 400	12 x 16	3	5321690
355 x 450	14 x 18	3	5321710
400 x 500	16 x 20	3	5321726

Size		PRO45 x PRO45 SDR 33 / PN 3 / 45 PSI	
mm	inch	L	Part Number
110 x 200	4 x 8	3	5394583
160 x 250	6 x 10	3	5394627
200 x 315	8 x 12	3	5394660
250 x 355	10 x 14	3	5394702
315 x 400	12 x 16	3	5394690
355 x 450	14 x 18	3	5394710
400 x 500	16 x 20	3	5394726

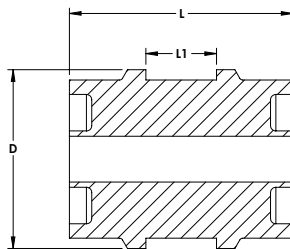
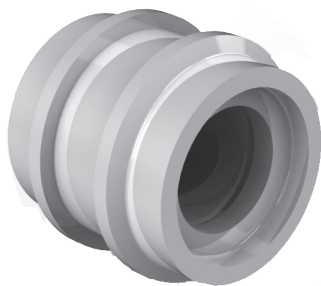
Double Wall  
Piping System

**ANNULAR DOGBONE® WITH TAP**

Size		PRO150 x PRO150	
		SDR 11/ PN 10/ 150 PSI	
mm	inch	L	Part Number
32 x 90	1 x 3	3	5222134
63 x 110	2 x 4	3	5222420
90 x 160	3 x 6	3	5222531
110 x 200	4 x 8	3	5222583
160 x 250	6 x 10	3	5222627
200 x 315	8 x 12	3	5222660
250 x 355	10 x 14	3	5222702

Size		PRO150 x PRO45	
		SDR 11 x 33/ PN 10 x 3 / 150 x 45 PSI	
mm	inch	L	Part Number
63 x 110	2 x 4	3	5323420
90 x 160	3 x 6	3	5323531
110 x 200	4 x 8	3	5323583
160 x 250	6 x 10	3	5323627
200 x 315	8 x 12	3	5323660
250 x 355	10 x 14	3	5323702
315 x 400	12 x 16	3	5323690
355 x 450	14 x 18	3	5323710
400 x 500	16 x 20	3	5323726

Size		PRO45 x PRO45	
		SDR 33 / PN 3 / 45 PSI	
mm	inch	L1	Part Number
110 x 200	4 x 8	3	5399583
160 x 250	6 x 10	3	5399627
200 x 315	8 x 12	3	5399660
250 x 355	10 x 14	3	5399702
315 x 400	12 x 16	3	5399690
355 x 450	14 x 18	3	5399710
400 x 500	16 x 20	3	5399726



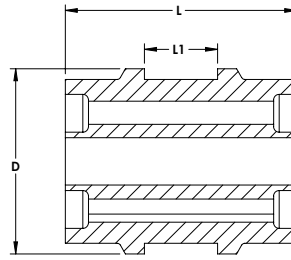
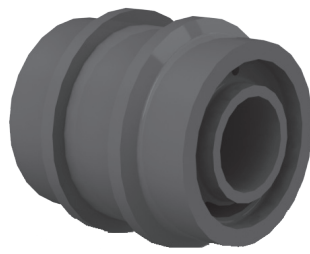
**SOLID RESTRAINT DOGBONE®**

Size		PRO150 x PRO150		
		SDR 11/ PN 10/ 150 PSI		
mm	inch	L1	D	Part Number
32 x 90	1 x 3	1.63	4.54	5217134
63 x 110	2 x 4	1.63	5.33	5217420
90 x 160	3 x 6	2.40	7.30	5217531
110 x 200	4 x 8	2.40	8.87	5217583
160 x 250	6 x 10	1.63	10.84	5217627
200 x 315	8 x 12	1.63	13.40	5217660
250 x 355	10 x 14	1.58	14.75	5217702
315 x 400	12 x 16	1.58	16.75	5217690
355 x 450	14 x 18	1.58	18.50	5217710
400 x 500	16 x 20	1.58	20.50	5217726

Size		PRO150 x PRO45		
		SDR 11 x 33/ PN 10 x 3 / 150 x 45 PSI		
mm	inch	L1	D	Part Number
63 x 110	2 x 4	1.63	5.33	5317420
90 x 160	3 x 6	2.40	7.30	5317531
110 x 200	4 x 8	2.40	8.87	5317583
160 x 250	6 x 10	1.63	10.84	5317627
200 x 315	8 x 12	1.63	13.40	5317660
250 x 355	10 x 14	1.58	14.75	5317702
315 x 400	12 x 16	1.58	16.75	5317690
355 x 450	14 x 18	1.58	18.50	5317710
400 x 500	16 x 20	1.58	20.50	5317726

Size		PRO45 x PRO45		
		SDR 33 / PN 3 / 45 PSI		
mm	inch	L1	D	Part Number
110 x 200	4 x 8	2.40	8.87	5391583
160 x 250	6 x 10	1.63	10.84	5391627
200 x 315	8 x 12	1.63	13.40	5391660
250 x 355	10 x 14	1.58	14.75	5391702
315 x 400	12 x 16	1.58	16.75	5391690
355 x 450	14 x 18	1.58	18.50	5391710
400 x 500	16 x 20	1.58	20.50	5391726

Double Wall Piping System



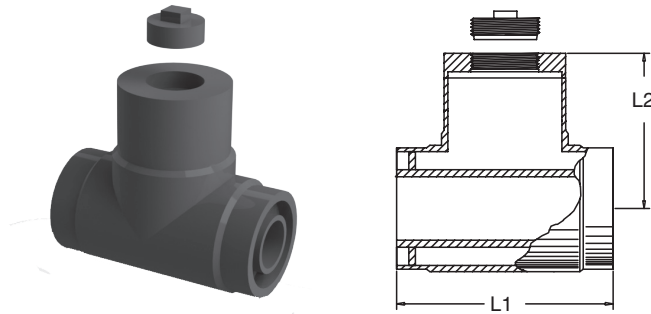
**ANNULAR RESTRAINT DOGBONE®**

Size		PRO150 x PRO150 SDR 11/ PN 10/ 150 PSI			
mm	inch	L	L1	D	Part Number
32 x 90	1 x 3	3.63	1.63	4.54	5219134
63 x 110	2 x 4	3.63	1.63	5.33	5219420
90 x 160	3 x 6	4.40	2.40	7.30	5219531
110 x 200	4 x 8	4.40	2.40	8.87	5219583
160 x 250	6 x 10	3.63	1.63	10.84	5219627
200 x 315	8 x 12	3.63	1.63	13.40	5219660
250 x 355	10 x 14	5.00	1.58	14.75	5219702
315 x 400	12 x 16	5.00	1.58	16.75	5219690
355 x 450	14 x 18	5.00	1.58	18.50	5219710
400 x 500	16 x 20	5.00	1.58	20.50	5219726

Size		PRO150 x PRO45 SDR 11 x 33/ PN 10 x 3 / 150 x 45 PSI			
mm	inch	L	L1	D	Part Number
63 x 110	2 x 4	3.63	1.63	5.33	5319420
90 x 160	3 x 6	4.40	2.40	7.30	5319531
110 x 200	4 x 8	4.40	2.40	8.87	5319583
160 x 250	6 x 10	3.63	1.63	10.84	5319627
200 x 315	8 x 12	3.63	1.63	13.40	5319660
250 x 355	10 x 14	5.00	1.58	14.75	5319702
315 x 400	12 x 16	5.00	1.58	16.75	5319690
355 x 450	14 x 18	5.00	1.58	18.50	5319710
400 x 500	16 x 20	5.00	1.58	20.50	5319726

Size		PRO45 x PRO45 SDR 33 / PN 3 / 45 PSI			
mm	inch	L	L1	D	Part Number
110 x 200	4 x 8	4.40	2.40	8.87	5395583
160 x 250	6 x 10	3.63	1.63	10.84	5395627
200 x 315	8 x 12	3.63	1.63	13.40	5395660
250 x 355	10 x 14	5.00	1.58	14.75	5395702
315 x 400	12 x 16	5.00	1.58	16.75	5395690
355 x 450	14 x 18	5.00	1.58	18.50	5395710
400 x 500	16 x 20	5.00	1.58	20.50	5395726

Duo-Pro®  
 Pro150, Pro45



**ACCESS TEE WITH THREADED PLUG\***

Size		PRO150 x PRO150		
		SDR 11/ PN 10/ 150 PSI		
mm	inch	L1	L2	Part Number
32 x 90	1 x 3	7.25	6.63	5204134
63 x 110	2 x 4	9.50	7.25	5204420
90 x 160	3 x 6	13.00	9.75	5204531
110 x 200	4 x 8	15.63	11.00	5204583
160 x 250	6 x 10	17.50	12.25	5204627
200 x 315	8 x 12	21.75	13.75	5204660
250 x 355	10 x 14	27.00	15.25	5204702

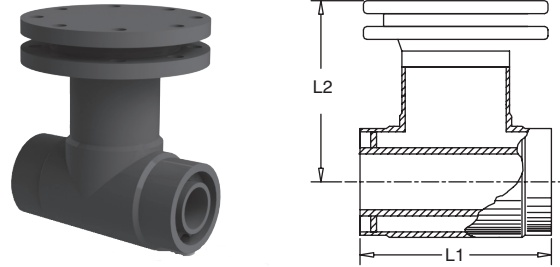
Size		PRO150 x PRO45		
		SDR 11 x 33/ PN 10 x 3 / 150 x 45 PSI		
mm	inch	L	L2	Part Number
63 x 110	2 x 4	9.50	7.25	5303420
90 x 160	3 x 6	13.00	9.75	5303531
110 x 200	4 x 8	15.63	11.00	5303583
160 x 250	6 x 10	17.50	12.25	5303627
200 x 315	8 x 12	21.75	13.75	5303660
250 x 355	10 x 14	27.00	15.25	5303702
315 x 400	12 x 16	27.00	16.75	5303690
355 x 450	14 x 18	37.50	18.25	5303710

Size		PRO45 x PRO45		
		SDR 33 / PN 3 / 45 PSI		
mm	inch	L	L2	Part Number
110 x 200	4 x 8	15.63	11.00	5375583
160 x 250	6 x 10	17.50	12.25	5375627
200 x 315	8 x 12	21.75	13.75	5375660
250 x 355	10 x 14	27.00	15.25	5375702
315 x 400	12 x 16	27.00	16.75	5375690
355 x 450	14 x 18	37.50	18.25	5375710
400 x 500	16 x 20	35.24	20.72	5375726

\*Includes EPDM gasket. Threaded plug rated 5psi.

Double Wall  
Piping System





**ACCESS TEE WITH FLANGED COVER\***

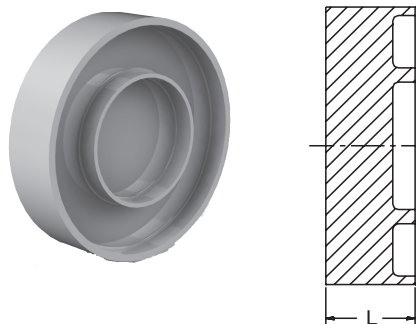
Size		PRO150 x PRO150		
		SDR 11/ PN 10/ 150 PSI		
mm	inch	L1	L2	Part Number
32 x 90	1 x 3	7.25	6.63	5202134
63 x 110	2 x 4	9.50	7.25	5202420
90 x 160	3 x 6	13.00	9.75	5202531
110 x 200	4 x 8	15.63	11.00	5202583
160 x 250	6 x 10	17.50	12.25	5202627
200 x 315	8 x 12	21.75	13.75	5202660
250 x 355	10 x 14	27.00	15.25	5202702

Size		PRO150 x PRO45		
		SDR 11 x 33/ PN 10 x 3 / 150 x 45 PSI		
mm	inch	L	L2	Part Number
63 x 110	2 x 4	9.50	7.25	5355420
90 x 160	3 x 6	13.00	9.75	5355531
110 x 200	4 x 8	15.63	11.00	5355583
160 x 250	6 x 10	17.50	12.25	5355627
200 x 315	8 x 12	21.75	13.75	5355660
250 x 355	10 x 14	27.00	15.25	5355702
315 x 400	12 x 16	27.00	16.75	5355690
355 x 450	14 x 18	37.50	18.25	5355710
400 x 500	16 x 20	37.25	23.50	5355726

Size		PRO45 x PRO45		
		SDR 33 / PN 3 / 45 PSI		
mm	inch	L	L2	Part Number
110 x 200	4 x 8	15.63	11.00	5373583
160 x 250	6 x 10	17.50	12.25	5373627
200 x 315	8 x 12	21.75	13.75	5373660
250 x 355	10 x 14	27.00	15.25	5373702
315 x 400	12 x 16	27.00	16.75	5373690
355 x 450	14 x 18	37.50	18.25	5373710
400 x 500	16 x 20	37.25	23.50	5373726

\*Includes EPDM gasket - does not include nuts and bolts.

Duo-Pro®  
 Pro150, Pro45



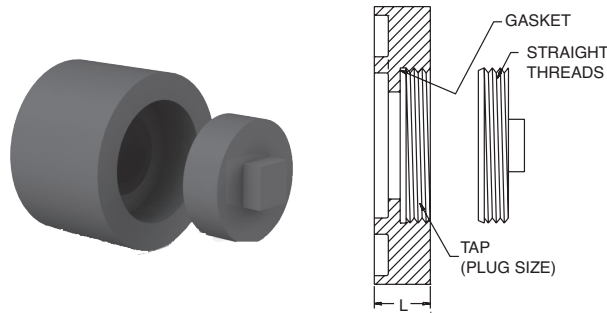
**CAP**

Size		PRO150 x PRO150	
		SDR 11/ PN 10/ 150 PSI	
mm	inch	L	Part Number
32 x 90	1 x 3	2.00	5220134
63 x 110	2 x 4	2.00	5220420
90 x 160	3 x 6	2.00	5220531
110 x 200	4 x 8	2.00	5220583
160 x 250	6 x 10	2.00	5220627
200 x 315	8 x 12	2.00	5220660
250 x 355	10 x 14	2.00	5220702

Size		PRO150 x PRO45	
		SDR 11 x 33/ PN 10 x 3 / 150 x 45 PSI	
mm	inch	L	Part Number
63 x 110	2 x 4	2.00	5320420
90 x 160	3 x 6	2.00	5320531
110 x 200	4 x 8	2.00	5320583
160 x 250	6 x 10	2.00	5320627
200 x 315	8 x 12	2.00	5320660
250 x 355	10 x 14	2.00	5320702
315 x 400	12 x 16	2.00	5320690
355 x 450	14 x 18	2.00	5320710
400 x 500	16 x 20	2.00	5320726

Size		PRO45 x PRO45	
		SDR 33 / PN 3 / 45 PSI	
mm	inch	L	Part Number
110 x 200	4 x 8	2.00	5393583
160 x 250	6 x 10	2.00	5393627
200 x 315	8 x 12	2.00	5393660
250 x 355	10 x 14	2.00	5393702
315 x 400	12 x 16	2.00	5393690
355 x 450	14 x 18	2.00	5393710
400 x 500	16 x 20	2.00	5393726

Double Wall  
Piping System



**CLEANOUT WITH PLUG\***

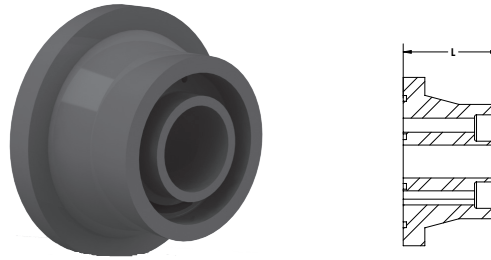
Size		PRO150 x PRO150		
		SDR 11/ PN 10/ MOP 5 PSI		
mm	inch	L	TAP	Part Number
32 x 90	1 x 3	3.00	2"	5232134
63 x 110	2 x 4	3.00	3"	5232420
90 x 160	3 x 6	3.00	4"	5232531
110 x 200	4 x 8	3.00	4"	5232583
160 x 250	6 x 10	3.00	6"	5232627
200 x 315	8 x 12	3.00	6"	5232660
250 x 355	10 x 14	2.25	6"	5232702

Size		PRO150 x PRO45		
		SDR 11 x 33/ PN 10 x 3 / MOP 5 PSI		
mm	inch	L	TAP	Part Number
63 x 110	2 x 4	3.00	3"	5332420
90 x 160	3 x 6	3.00	4"	5332531
110 x 200	4 x 8	3.00	4"	5332583
160 x 250	6 x 10	3.00	6"	5332627
200 x 315	8 x 12	3.00	6"	5332660
250 x 355	10 x 14	2.25	6"	5332702
315 x 400	12 x 16	2.25	6"	5332690
355 x 450	14 x 18	2.25	6"	5332710
400 x 500	16 x 20	2.25	6"	5332726

Size		PRO45 x PRO45		
		SDR 33 / PN 3 / MOP 5 PSI		
mm	inch	L	TAP	Part Number
110 x 200	4 x 8	3.00	4"	5377583
160 x 250	6 x 10	3.00	6"	5377627
200 x 315	8 x 12	3.00	6"	5377660
250 x 355	10 x 14	2.25	6"	5377702
315 x 400	12 x 16	2.25	6"	5377690
355 x 450	14 x 18	2.25	6"	5377710
400 x 500	16 x 20	2.25	6"	5377726

\*Machined fittings. 5psi drainage rating.

Duo-Pro®  
 Pro150, Pro45



**STUB END - FLOW-THROUGH - FLAT FACE**

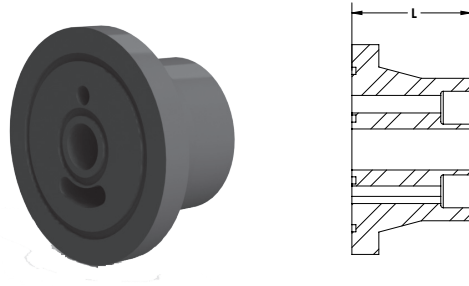
Size		PRO150 X PRO150	
		SDR 11/ PN 10/ 150 PSI	
mm	inch	L	Part Number
32 x 90	1 x 3	2.96	5233134
63 x 110	2 x 4	3.00	5233420
90 x 160	3 x 6	3.25	5233531
110 x 200	4 x 8	4.00	5233583
160 x 250	6 x 10	4.00	5233627
200 x 315	8 x 12	3.50	5233660
250 x 355	10 x 14	3.50	5233702
315 x 400	12 x 16	3.50	5233690

Size		PRO150 X PRO45	
		SDR 11 x 33/ PN 10 x 3 / 150 x 45 PSI	
mm	inch	L	Part Number
63 x 110	2 x 4	3.00	5357420
90 x 160	3 x 6	3.25	5357531
110 x 200	4 x 8	4.00	5357583
160 x 250	6 x 10	4.00	5357627
200 x 315	8 x 12	3.50	5357660
250 x 355	10 x 14	3.50	5357702
315 x 400	12 x 16	3.50	5357690
355 x 450	14 x 18	3.50	5357710
400 x 500	16 x 20	3.50	5357726

Size		PRO45 X PRO45	
		SDR 33 / PN 3 / 45 PSI	
mm	inch	L	Part Number
110 x 200	4 x 8	4.00	5389583
160 x 250	6 x 10	4.00	5389627
200 x 315	8 x 12	3.50	5389660
250 x 355	10 x 14	3.50	5389702
315 x 400	12 x 16	3.50	5389690
355 x 450	14 x 18	3.50	5389710
400 x 500	16 x 20	3.50	5389726

For field assembly: (one) flat face flange, (one) O-ring flange and (two) backing rings (in containment size) are required (not included in price). O-ring flange is supplied with EPDM O-rings. Consult factory for assistance.

Double Wall  
Piping System



## STUB END - FLOW-THROUGH O-RING FLANGE

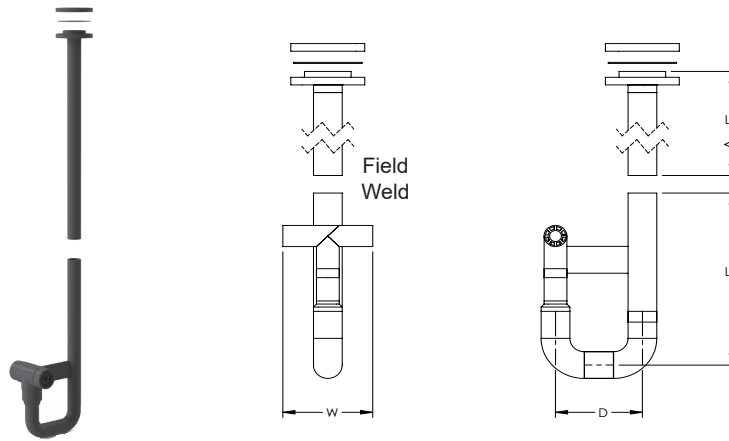
Size		PRO150 X PRO150 SDR 11/ PN 10/ 150 PSI	
mm	inch	L	FKM Part Number
32 x 90	1 x 3	2.96	5257134
63 x 110	2 x 4	3.00	5257420
90 x 160	3 x 6	3.25	5257531
110 x 200	4 x 8	4.00	5257583
160 x 250	6 x 10	4.00	5257627
200 x 315	8 x 12	3.50	5257660
250 x 355	10 x 14	3.50	5257702
315 x 400	12 x 16	3.50	5257690

Size		PRO150 X PRO45 SDR 11 x 33/ PN 10 x 3 / 150 x 45 PSI	
mm	inch	L	FKM Part Number
63 x 110	2 x 4	3.00	5351420
90 x 160	3 x 6	3.25	5351531
110 x 200	4 x 8	4.00	5351583
160 x 250	6 x 10	4.00	5351627
200 x 315	8 x 12	3.50	5351660
250 x 355	10 x 14	3.50	5351702
315 x 400	12 x 16	3.50	5351690
355 x 450	14 x 18	3.50	5351710
400 x 500	16 x 20	3.50	5351726

Size		PRO45 X PRO45 SDR 33 / PN 3 / 45 PSI	
mm	inch	L	FKM Part Number
110 x 200	4 x 8	4.00	5397583
160 x 250	6 x 10	4.00	5397627
200 x 315	8 x 12	3.50	5397660
250 x 355	10 x 14	3.50	5397702
315 x 400	12 x 16	3.50	5397690
355 x 450	14 x 18	3.50	5397710
400 x 500	16 x 20	3.50	5397726

For field assembly: (one) flat face flange, (one) O-ring flange and (two) backing rings (in containment size) are required (not included in price). O-ring flange is supplied with FKM O-rings. Consult factory for assistance.

Duo-Pro®  
Pro150, Pro45



**LOW POINT LEAK DETECTION STATION**

Size		PRO150 X PRO150					Part Number
		SDR 11/ PN 10/ 150 PSI					
mm	inch	D	W	L1	L2		
32 x 90	1 x 3	10.38	9.63	19.13	36.00	5252134	
63 x 110	2 x 4	8.00	8.00	18.00	36.00	5252420	
90 x 160	3 x 6	16.00	9.75	13.38	36.00	5252531	
110 x 200	4 x 8	14.50	9.50	14.50	36.00	5252583	
160 x 250	6 x 10	24.00	13.00	14.00	36.00	5252627	
200 x 315	8 x 12	18.75	13.50	18.00	36.00	5252660	
250 x 355	10 x 14	22.00	13.50	18.00	36.00	5252702	
315 x 400	12 x 16	23.00	16.00	13.00	36.00	5252690	

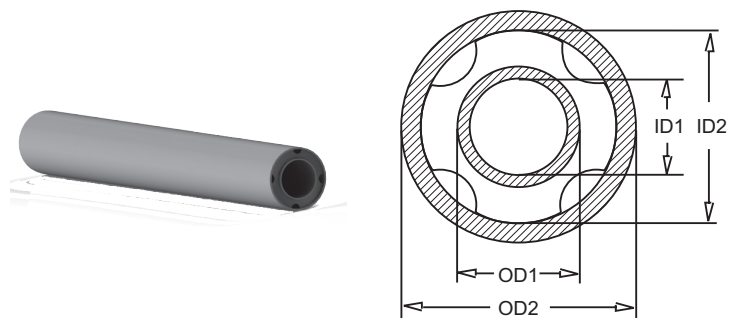
Size		PRO150 X PRO45					Part Number
		SDR 11 x 33/ PN 10 x 3 / 150 x 45 PSI					
mm	inch	D	W	L1	L2		
63 x 110	2 x 4	8.00	8.00	18.00	36.00	5337420	
90 x 160	3 x 6	16.00	9.75	13.38	36.00	5337531	
110 x 200	4 x 8	14.50	9.50	14.50	36.00	5337583	
160 x 250	6 x 10	24.00	13.00	14.00	36.00	5337627	
200 x 315	8 x 12	18.75	13.50	18.00	36.00	5337660	
250 x 355	10 x 14	22.00	13.50	18.00	36.00	5337702	
315 x 400	12 x 16	23.00	16.00	13.00	36.00	5337690	

Size		PRO45 X PRO45					Part Number
		SDR 33 / PN 3 / 45 PSI					
mm	inch	D	W	L1	L2		
110 x 200	4 x 8	14.50	9.50	14.50	36.00	5364583	
160 x 250	6 x 10	24.00	13.00	14.00	36.00	5364627	
200 x 315	8 x 12	18.75	13.50	18.00	36.00	5364660	
250 x 355	10 x 14	22.00	13.50	18.00	36.00	5364702	
315 x 400	12 x 16	23.00	16.00	13.00	36.00	5364690	
355 x 450	14 x 18	29.00	18.25	18.00	36.00	5364710	
400 x 500	16 x 20	33.75	23.50	18.00	36.00	5364726	

Station consists of access tee, (two) 90's, 2" or 4" riser pipe (4' long), stub end, backing ring and flange. Includes EPDM gasket - does not include nuts and bolts. Access cover to be shipped separately and installed in field.

*Page intentionally left blank*

Duo-Pro®  
Pro150, Pro45



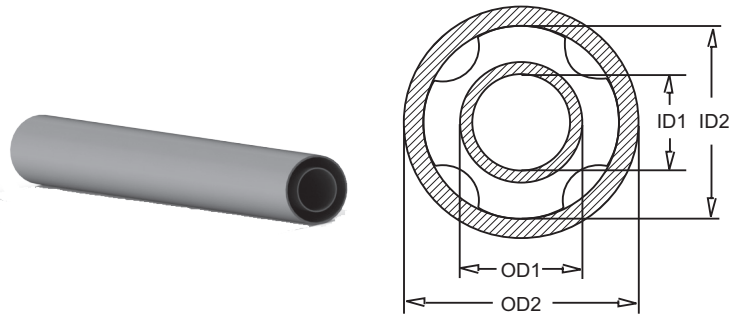
**SIMULTANEOUS WELD PIPE\*** 5 meter (16.4') lengths

Size		PVDF x PVDF				Part Number
		OD1	OD2	ID1	ID2	
32 x 90	1 x 3	1.26	3.54	1.07	3.32	6225134
63 x 110	2 x 4	2.48	4.33	2.24	4.06	6225420
90 x 160	3 x 6	3.54	6.30	3.32	5.91	6225531
110 x 200	4 x 8	4.33	7.87	4.06	7.39	6225583
160 x 250	6 x 10	6.30	9.84	5.91	9.24	6225627
200 x 315	8 x 12	7.87	12.40	7.39	11.64	6225660

\*Pipe is sold in 5 meter lengths (16.4').

Double Wall  
Piping System





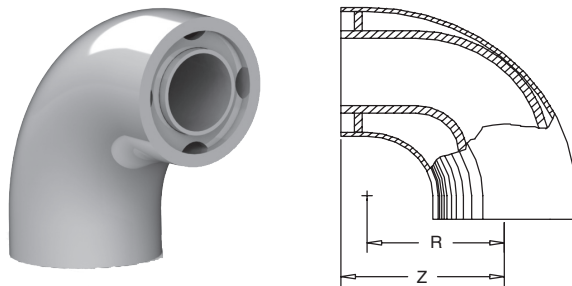
**STAGGERED WELD PIPE\*** 5 meters(16.4') lengths

Size		PVDF x PRO150 MOP 150 PSI				
mm	inch	OD1	OD2	ID1	ID2	Part Number
32 x 90	1 x 3	1.26	3.54	1.07	2.90	6023134
63 x 110	2 x 4	2.48	4.33	2.24	3.54	6023420
90 x 160	3 x 6	3.54	6.30	3.32	5.15	6023531
110 x 200	4 x 8	4.33	7.87	4.06	6.44	6023583
160 x 250	6 x 10	6.30	9.84	5.91	8.05	6023627
200 x 315	8 x 12	7.87	12.40	7.39	10.14	6023660
250 x 355	10 x 14	9.84	13.98	9.24	11.43	6023702

Size		PVDF x PRO45 MOP x 45 PSI				
mm	inch	OD1	OD2	ID1	ID2	Part Number
63 x 110	2 x 4	2.48	4.33	4.06	2.24	6123420
90 x 160	3 x 6	3.54	6.30	5.91	3.32	6123531
110 x 200	4 x 8	4.33	7.87	7.39	4.06	6123583
160 x 250	6 x 10	6.30	9.84	9.23	5.91	6123627
200 x 315	8 x 12	7.87	12.40	11.63	7.39	6123660
250 x 355	10 x 14	9.84	13.98	13.10	9.24	6123702
315 x 400	12 x 16	12.40	15.75	14.77	11.64	6123690



**\*Staggered welding of dissimilar materials requires two welding machines and special installation. Asahi Field tech training highly recommended.**



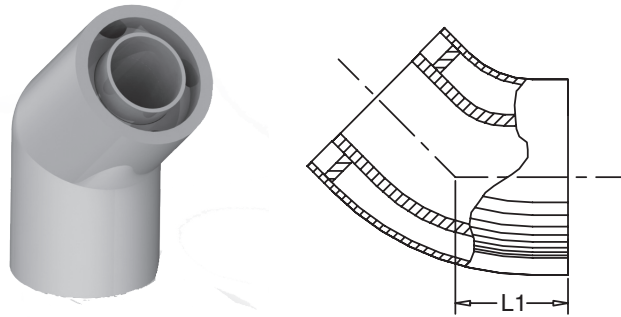
### 90 DEGREE ELBOW

Size		PVDF x PVDF		
		MOP 150 PSI		
mm	inch	Z	R	Part Number
32 x 90	1 x 3	4.06	3.58	6203134
63 x 110	2 x 4	4.85	4.25	6203420
90 x 160	3 x 6	7.13	6.18	6203531
110 x 200	4 x 8	8.55	7.72	6203583
160 x 250	6 x 10	11.31	9.85	6203627

Size		PVDF x PRO150		
		MOP 150 PSI		
mm	inch	Z	R	Part Number
32 x 90	1 x 3	3.94	3.35	6003134
63 x 110	2 x 4	4.88	4.13	6003420
90 x 160	3 x 6	7.08	6.10	6003531
110 x 200	4 x 8	7.87	7.68	6003583
160 x 250	6 x 10	11.22	10.04	6003627
200 x 315	8 x 12	13.39	11.81	6003660
250 x 355	10 x 14	13.40	11.81	6003702

Size		PVDF x PRO45		
		MOP 150 x 45 PSI		
mm	inch	Z	R	Part Number
63 x 110	2 x 4	4.72	4.33	6103420
90 x 160	3 x 6	6.69	6.10	6103531
110 x 200	4 x 8	8.66	7.76	6103583
160 x 250	6 x 10	11.41	10.43	6103627
200 x 315	8 x 12	13.38	11.81	6103660
250 x 355	10 x 14	13.39	11.81	6103702
315 x 400	12 x 16	13.58	11.81	6103690

Double Wall Piping System



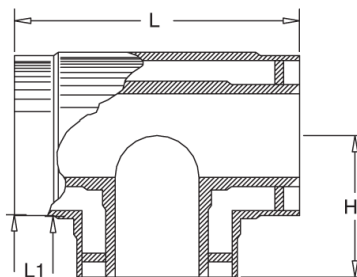
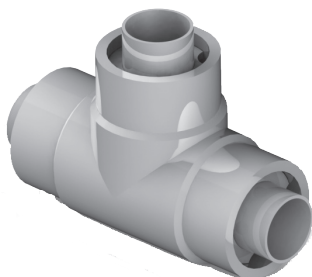
**45 DEGREE ELBOW**

Size		PVDF x PVDF	
		MOP 150 PSI	
mm	inch	L1	Part Number
32 x 90	1 x 3	5.00	6201134
63 x 110	2 x 4	5.00	6201420
90 x 160	3 x 6	6.00	6201531
110 x 200	4 x 8	6.00	6201583
160 x 250	6 x 10	6.00	6201627
200 x 315	8 x 12	8.00	6201660

Size		PVDF x PRO150	
		MOP 150 PSI	
mm	inch	L1	Part Number
32 x 90	1 x 3	4.00	6001134
63 x 110	2 x 4	4.25	6001420
90 x 160	3 x 6	6.00	6001531
110 x 200	4 x 8	6.50	6001583
160 x 250	6 x 10	8.50	6001627
200 x 315	8 x 12	10.00	6001660
250 x 355	10 x 14	8.50	6001702

Size		PVDF x PRO45	
		MOP 150 x 45 PSI	
mm	inch	L1	Part Number
63 x 110	2 x 4	5.00	6101420
90 x 160	3 x 6	6.00	6101531
110 x 200	4 x 8	6.00	6101583
160 x 250	6 x 10	6.00	6101627
200 x 315	8 x 12	6.50	6101660
250 x 355	10 x 14	10.00	6101702
315 x 400	12 x 16	12.00	6101690

Duo-Pro®  
PVDF



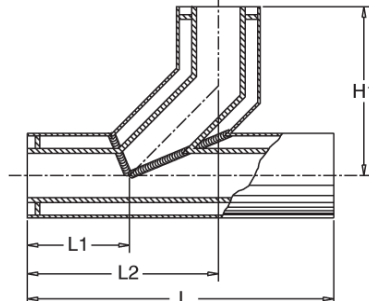
**TEE**

Size		PVDF x PVDF		
		MOP 150 PSI		
mm	inch	L	H	Part Number
32 x 90	1 x 3	7.13	3.82	6205134
63 x 110	2 x 4	8.50	4.33	6205420
90 x 160	3 x 6	10.98	5.51	6205531
110 x 200	4 x 8	17.56	8.78	6205583
160 x 250	6 x 10	17.56	8.54	6205627

Size		PVDF x PRO150		
		MOP 150 PSI		
mm	inch	L	H	Part Number
32 x 90	1 x 3	8.15	4.17	6005134
63 x 110	2 x 4	9.45	4.72	6005420
90 x 160	3 x 6	12.4	6.3	6005531
110 x 200	4 x 8	15.59	7.8	6005583
160 x 250	6 x 10	18.5	9.25	6005627

Size		PVDF x PRO45		
		MOP 150 x 45 PSI		
mm	inch	L	H	Part Number
63 x 110	2 x 4	8.46	4.29	6105420
90 x 160	3 x 6	10.94	5.51	6105531
110 x 200	4 x 8	13.39	6.69	6105583
160 x 250	6 x 10	17.25	8.66	6105627
200 x 315	8 x 12	21.06	10.63	6105660

**Double Wall  
Piping System**



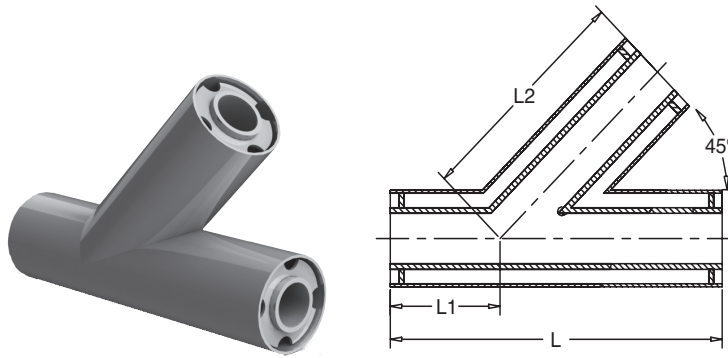
**SANITARY TEE**

Size		PVDF x PVDF					Part Number
		MOP 5 PSI					
mm	inch	L2	L	H1	L1		
63 x 110	2 x 4	12.00	18.00	9.00	6.00	6213134	
90 x 160	3 x 6	16.00	24.00	12.50	8.00	6213420	
110 x 200	4 x 8	20.00	30.00	15.50	10.00	6213531	
160 x 250	6 x 10	24.00	36.00	15.50	12.00	6213583	
200 x 315	8 x 12	28.00	42.00	21.75	14.00	6213627	
250 x 355	10 x 14	32.00	48.00	24.25	16.00	6213660	

Size		PVDF x PRO150					Part Number
		MOP 5 PSI					
mm	inch	L2	L	H1	L1		
32 x 90	1 x 3	12.00	18.00	9.00	6.00	6013134	
63 x 110	2 x 4	12.00	18.00	9.00	6.00	6013420	
90 x 160	3 x 6	16.00	24.00	12.50	8.00	6013531	
110 x 200	4 x 8	20.00	30.00	15.50	10.00	6013583	
160 x 250	6 x 10	24.00	36.00	15.50	12.00	6013627	
200 x 315	8 x 12	28.00	42.00	21.75	14.00	6013660	

Size		PVDF x PRO45					Part Number
		MOP 5 PSI					
mm	inch	L2	L	H1	L1		
63 x 110	2 x 4	12.00	18.00	9.00	6.00	6113420	
90 x 160	3 x 6	16.00	24.00	12.50	8.00	6113531	
110 x 200	4 x 8	20.00	30.00	15.50	10.00	6113583	
160 x 250	6 x 10	24.00	36.00	15.50	12.00	6113627	
200 x 315	8 x 12	28.00	42.00	21.75	14.00	6113660	
250 x 355	10 x 14	32.00	48.00	24.25	16.00	6113702	
315 x 400	12 x 16	36.00	54.00	28.00	18.00	6113690	





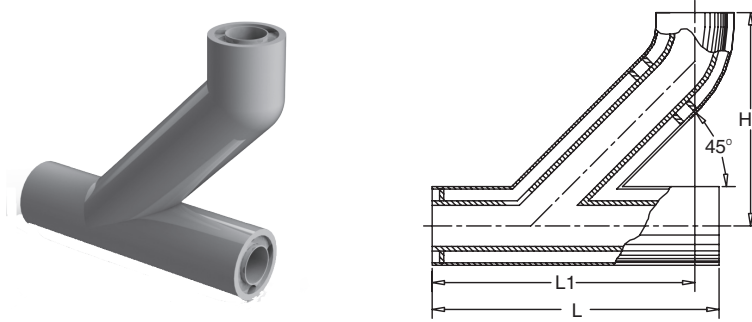
**LATERAL**

Size		PVDF x PVDF			
		MOP 5 PSI			
mm	inch	L	L1	L2	Part Number
32 x 90	1 x 3	18	6	12	6209134
63 x 110	2 x 4	18	6	12	6209420
90 x 160	3 x 6	24	8	16	6209531
110 x 200	4 x 8	30	10	20	6209583
160 x 250	6 x 10	36	12	24	6209627
200 x 315	8 x 12	42	14	28	6209660

Size		PVDF x PRO150			
		MOP 5 PSI			
mm	inch	L	L1	L2	Part Number
32 x 90	1 x 3	18	6	12	6009134
63 x 110	2 x 4	18	6	12	6009420
90 x 160	3 x 6	24	8	16	6009531
110 x 200	4 x 8	30	10	20	6009583
160 x 250	6 x 10	36	12	24	6009627
200 x 315	8 x 12	42	14	28	6009660

Size		PVDF x PRO45			
		MOP 5 PSI			
mm	inch	L	L1	L2	Part Number
63 x 110	2 x 4	18	6	12	6109420
90 x 160	3 x 6	24	8	16	6109531
110 x 200	4 x 8	30	10	20	6109583
160 x 250	6 x 10	36	12	24	6109627
200 x 315	8 x 12	42	14	28	6109660
250 x 355	10 x 14	48	16	32	6109702
315 x 400	12 x 16	54	18	36	6109690

Double Wall  
Piping System



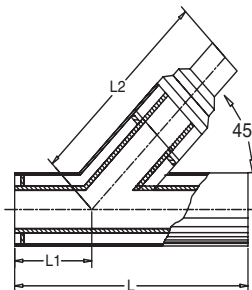
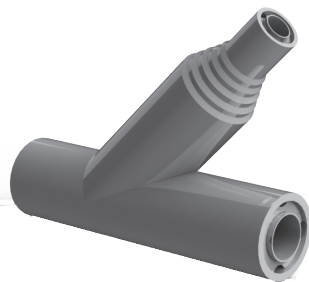
**LATERAL WITH 1/8 BEND**

Size		PVDF x PVDF MOP 5 PSI				Part Number
mm	inch	L	L1	H1		
32 x 90	1 x 3	N/A	N/A	N/A	6211134	
63 x 110	2 x 4	18	18	16.5	6211420	
90 x 160	3 x 6	24	23.25	21.5	6211531	
110 x 200	4 x 8	30	28.5	24	6211583	
160 x 250	6 x 10	36	33	26.75	6211627	
200 x 315	8 x 12	42	38.125	30.375	6211660	

Size		PVDF x PRO150 MOP 5 PSI				Part Number
mm	inch	L	L1	H1		
32 x 90	1 x 3	18	17.25	15.25	6011134	
63 x 110	2 x 4	18	18	16.5	6011420	
90 x 160	3 x 6	24	23.25	21.5	6011531	
110 x 200	4 x 8	30	38.5	25	6011583	
160 x 250	6 x 10	36	34.75	31.25	6011627	
200 x 315	8 x 12	42	40.75	36.75	6011660	

Size		PVDF x PRO45 MOP 5 PSI				Part Number
mm	inch	L	L1	H1		
63 x 110	2 x 4	18	18	16.5	6111420	
90 x 160	3 x 6	24	23.25	21.5	6111531	
110 x 200	4 x 8	30	28.5	24	6111583	
160 x 250	6 x 10	36	33	26.75	6111627	
200 x 315	8 x 12	42	38.125	30.375	6111660	
250 x 355	10 x 14	48	45.5	39.125	6111702	
315 x 400	12 x 16	54	51.75	45.375	6111690	



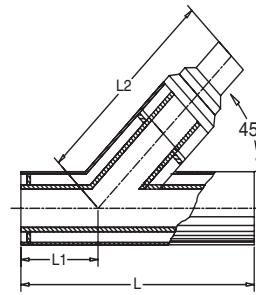
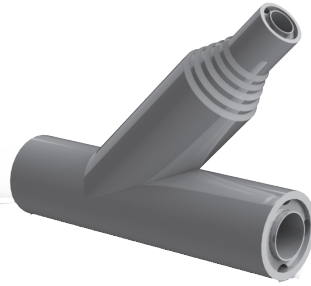


### REDUCING LATERAL

Size		PVDF x PVDF				Part Number
		MOP 5 PSI				
mm	inch	L	L1	L2		
(90 x 63)(160 x 110)	(3x2)(6x4)	24	8	16.5	6219743	
(110 x 63)(200 x 110)	(4x2)(8x4)	30	20	25.25	6219744	
(140 x 90)(200 x 160)	(4x3)(8x6)	30	20	22	6219746	
(160 x 63)(250 x 110)	(6x2)(10x4)	36	12	31.75	6219892	
(160 x 90)(250 x 160)	(6x3)(10x6)	36	12	27	6219747	
(160 x 110)(250 x 200)	(6x4)(10x8)	36	12	25.25	6219748	
(200 x 63)(315 x 110)	(8x2)(12x4)	42	14	36.37	6219890	
(200 x 90)(315 x 160)	(8x3)(12x6)	42	14	34.5	6219896	
(200 x 110)(315 x 200)	(8x4)(12x8)	42	14	32.75	6219895	
(200 x 160)(315 x 250)	(8x6)(12x10)	42	14	29.75	6219893	

Double Wall  
Piping System



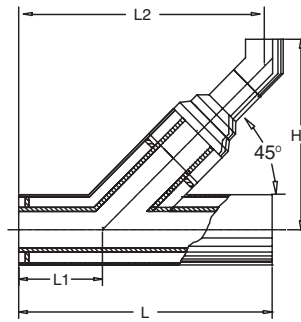
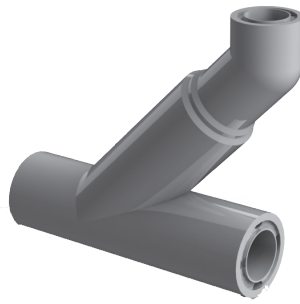


**REDUCING LATERAL**

Size		PVDF x PRO150			
		MOP 5 PSI			
mm	inch	L	L1	L2	Part Number
(90 x 63)(160 x 110)	(3x2)(6x4)	24	8	16.5	6019743
(110 x 63)(200 x 110)	(4x2)(8x4)	30	20	25.5	6019744
(140 x 90)(200 x 160)	(4x3)(8x6)	30	20	22	6019746
(160 x 63)(250 x 110)	(6x2)(10x4)	36	12	31.76	6019892
(160 x 90)(250 x 160)	(6x3)(10x6)	36	12	27	6019747
(160 x 110)(250 x 200)	(6x4)(10x8)	36	12	25.25	6019748
(200 x 63)(315 x 110)	(8x2)(12x4)	42	14	36.37	6019890
(200 x 90)(315 x 160)	(8x3)(12x6)	42	14	34.5	6019896
(200 x 110)(315 x 200)	(8x4)(12x8)	42	14	32.75	6019895
(200 x 160)(315 x 250)	(8x6)(12x10)	42	14	29.75	6019893
(250 x 90)(355 x 160)	(10x3)(14x6)	48	16	40.37	6019898

Size		PVDF x PRO45			
		MOP 5 PSI			
mm	inch	L	L1	L2	Part Number
(90 x 63)(160 x 110)	(3x2)(6x4)	24	8	16.5	6119743
(110 x 63)(200 x 110)	(4x2)(8x4)	30	10	25.25	6119744
(140 x 90)(200 x 160)	(4x3)(8x6)	30	10	22	6119746
(160 x 63)(250 x 110)	(6x2)(10x4)	36	12	31.75	6119892
(160 x 90)(250 x 160)	(6x3)(10x6)	36	12	27	6119747
(160 x 110)(250 x 200)	(6x4)(10x8)	36	12	25.25	6119748
(200 x 63)(315 x 110)	(8x2)(12x4)	42	14	36.37	6119890
(200 x 90)(315 x 160)	(8x3)(12x6)	42	14	34.5	6119896
(200 x 110)(315 x 200)	(8x4)(12x8)	42	14	32.75	6119895
(200 x 160)(315 x 250)	(8x6)(12x10)	42	14	29.75	6119893
(250 x 90)(355 x 160)	(10x3)(14x6)	48	16	40.37	6119898
(250 x 110)(355 x 200)	(10x4)(14x8)	48	16	37.5	6119903
(250 x 160)(355 x 250)	(10x6)(14x10)	48	16	34.5	6119902
(250 x 200)(355 x 315)	(10x8)(14x12)	48	16	30.5	6119899
(315 x 110)(400 x 200)	(12x4)(16x8)	54	18	35	6119923
(315 x 160)(400 x 200)	(12x6)(16x10)	54	18	40.5	6119904
(315 x 200)(400 x 355)	(12x8)(16x12)	54	18	36.15	6119915
(355 x 250)(400 x 355)	(12x10)(16x14)	54	18	35.5	6119910

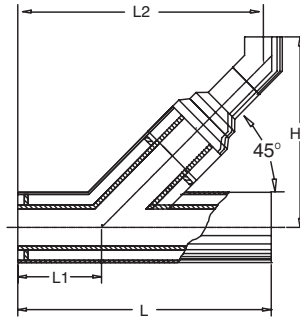
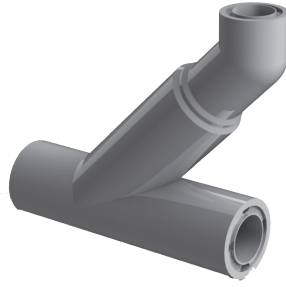




**REDUCING LATERAL WITH 1/8 BEND**

Size		PVDF x PVDF					Part Number
		MOP 5 PSI					
mm	inch	L	L1	L2	H1		
(90 x 63)(160 x 110)	(3x2)(6x4)	24	8	21.5	20.25	6221743	
(110 x 63)(200 x 110)	(4x2)(8x4)	30	10	30	26.25	6221744	
(140 x 90)(200 x 160)	(4x3)(8x6)	36	10	28	25.75	6221746	
(160 x 63)(250 x 110)	(6x2)(10x4)	36	12	32.75	29.25	6221892	
(160 x 90)(250 x 160)	(6x3)(10x6)	36	12	32.75	29.25	6221747	
(160 x 110)(250 x 200)	(6x4)(10x8)	36	12	31	28	6221748	
(200 x 63)(315 x 110)	(8x2)(12x4)	42	14	40.5	34.75	6221890	
(200 x 90)(315 x 160)	(8x3)(12x6)	42	14	40.5	34.75	6221896	
(200 x 110)(315 x 200)	(8x4)(12x8)	42	14	38.75	33.5	6221895	
(200 x 160)(315 x 250)	(8x6)(12x10)	42	14	35.75	31.25	6221893	

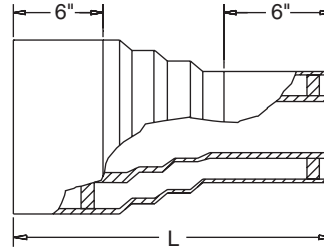
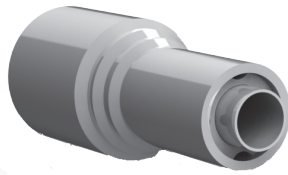
Double Wall  
Piping System



## REDUCING LATERAL WITH 1/8 BEND

Size		PVDF x PRO150				
		MOP 5 PSI				
mm	inch	L	L1	L2	H1	Part Number
(90 x 63)(160 x 110)	(3x2)(6x4)	24	8	21.5	20.25	6021743
(110 x 63)(200 x 110)	(4x2)(8x4)	30	10	30	26.25	6021744
(140 x 90)(200 x 160)	(4x3)(8x6)	36	10	28	25.75	6021746
(160 x 63)(250 x 110)	(6x2)(10x4)	36	12	32.75	29.25	6021892
(160 x 90)(250 x 160)	(6x3)(10x6)	36	12	32.75	29.25	6021747
(160 x 110)(250 x 200)	(6x4)(10x8)	36	12	31	28	6021748
(200 x 63)(315 x 110)	(8x2)(12x4)	42	14	40.5	34.75	6021890
(200 x 90)(315 x 160)	(8x3)(12x6)	42	14	40.5	34.75	6021896
(200 x 110)(315 x 200)	(8x4)(12x8)	42	14	38.75	33.5	6021895
(200 x 160)(315 x 250)	(8x6)(12x10)	42	14	35.75	31.25	6021893

Size		PVDF x PRO45				
		MOP 5 PSI				
mm	inch	L	L1	L2	H1	Part Number
(90 x 63)(160 x 110)	(3x2)(6x4)	24	8	21.5	20.25	6121743
(110 x 63)(200 x 110)	(4x2)(8x4)	30	10	30	26.25	6121744
(140 x 90)(200 x 160)	(4x3)(8x6)	36	10	28	25.75	6121746
(160 x 63)(250 x 110)	(6x2)(10x4)	36	12	32.75	29.25	6121892
(160 x 90)(250 x 160)	(6x3)(10x6)	36	12	32.75	29.25	6121747
(160 x 110)(250 x 200)	(6x4)(10x8)	36	12	31	28	6121748
(200 x 63)(315 x 110)	(8x2)(12x4)	42	14	40.5	34.75	6121890
(200 x 90)(315 x 160)	(8x3)(12x6)	42	14	40.5	34.75	6121896
(200 x 110)(315 x 200)	(8x4)(12x8)	42	14	38.75	33.5	6121895
(200 x 160)(315 x 250)	(8x6)(12x10)	42	14	35.75	31.25	6121893
(250 x 90)(355 x 160)	(10x3)(14x6)	48	16	46.5	40	6121898
(250 x 110)(355 x 200)	(10x4)(14x8)	48	16	43.5	37	6121903
(250 x 160)(355 x 250)	(10x6)(14x10)	48	16	40.5	34.5	6121902
(250 x 200)(355 x 315)	(10x8)(14x12)	48	16	37	32	6121899
(315 x 110)(400 x 200)	(12x4)(16x8)	54	18	50	41	6121923
(315 x 160)(400 x 200)	(12x6)(16x10)	54	18	47	39	6121904
(315 x 200)(400 x 355)	(12x8)(16x12)	54	18	44	37	6121915
(355 x 250)(400 x 355)	(12x10)(16x14)	54	18	41.5	35	6121910



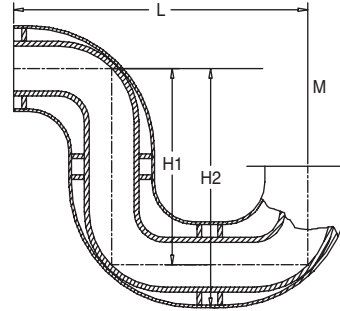
**CONCENTRIC REDUCER**

Size		PVDF x PVDF MOP 150 PSI	
mm	inch	L	Part Number
(63x32)(110x90)	(2x1)(4x3)	13.13	6215740
(90x32)(160x90)	(3x1)(6x3)	16.5	6215741
(90x63)(160x110)	(3x2)(6x4)	15.25	6215743
(110x63)(200x110)	(4x2)(8x4)	17.75	6215744
(110x90)(200x160)	(4x3)(8x6)	14.5	6215746
(160x110)(250x200)	(6x4)(10x8)	15.75	6215748
(160x90)(250x160)	(6x3)(10x6)	17.75	6215747
(160x63)(250x110)	(6x2)(10x4)	19	6215892
(200x160)(315x250)	(8x6)(12x10)	18	6215893
(200x110)(315x200)	(8x4)(12x8)	19	6215895
(200x90)(315x160)	(8x3)(12x6)	21	6215896

Size		PVDF x PRO150 MOP 150 PSI	
mm	inch	L	Part Number
(63x32)(110x90)	(2x1)(4x3)	13.13	6015740
(90x32)(160x90)	(3x1)(6x3)	16.50	6015741
(90x63)(160x110)	(3x2)(6x4)	15.25	6015743
(110x63)(200x110)	(4x2)(8x4)	17.75	6015744
(110x90)(200x160)	(4x3)(8x6)	14.50	6015746
(160x110)(250x200)	(6x4)(10x8)	15.75	6015748
(160x90)(250x160)	(6x3)(10x6)	17.75	6015747
(160x63)(250x110)	(6x2)(10x4)	19.00	6015892
(200x160)(315x250)	(8x6)(12x10)	16.00	6015893
(200x110)(315x200)	(8x4)(12x8)	19.00	6015895
(200x90)(315x160)	(8x3)(12x6)	21.00	6015896

Size		PVDF x PRO45 MOP 150 x 45 PSI	
mm	inch	L	Part Number
(90x63)(160x110)	(3x2)(6x4)	15.25	6115743
(110x63)(200x110)	(4x2)(8x4)	17.75	6115744
(110x90)(200x160)	(4x3)(8x6)	14.50	6115746
(160x110)(250x200)	(6x4)(10x8)	15.75	6115748
(160x90)(250x160)	(6x3)(10x6)	17.75	6115747
(160x63)(250x110)	(6x2)(10x4)	19.00	6115892
(200x160)(315x250)	(8x6)(12x10)	16.00	6115893
(200x110)(315x200)	(8x4)(12x8)	19.00	6115895
(200x90)(315x160)	(8x3)(12x6)	21.00	6115896
(250x200)(355x315)	(10x8)(14x12)	14.65	6115899
(250x160)(355x250)	(10x6)(14x10)	17.52	6115902
(250x110)(355x200)	(10x4)(14x8)	19.96	6115903

Double Wall  
Piping System



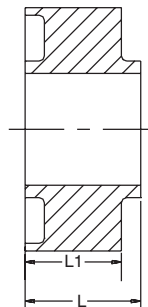
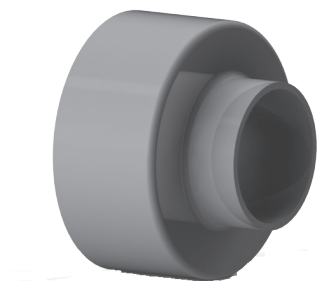
**P-TRAP**

Size		PVDF x PVDF			
		MOP 150 PSI			
mm	inch	L	H1	H2	Part Number
32 x 90	1 x 3	14.50	9.63	11.38	6207134
63 x 110	2 x 4	14.25	9.44	11.69	6207420
90 x 160	3 x 6	21.00	13.94	17.50	6207531
110 x 200	4 x 8	25.63	17.06	21.38	6207583
160 x 250	6 x 10	33.44	22.19	27.75	6207627

Size		PVDF x PRO150			
		MOP 150 PSI			
mm	inch	L	H1	H2	Part Number
32 x 90	1 x 3	11.57	7.63	9.40	6007134
63 x 110	2 x 4	14.42	9.53	11.70	6007420
90 x 160	3 x 6	21.02	13.93	17.08	6007531
110 x 200	4 x 8	23.36	15.49	19.43	6007583
160 x 250	6 x 10	33.44	22.21	27.13	6007627
200 x 315	8 x 12	39.95	26.55	32.75	6007660

Size		PVDF x PRO45			
		MOP 150 x 45 PSI			
mm	inch	L	H1	H2	Part Number
63 x 110	2 x 4	14.25	9.44	11.69	6107420
90 x 160	3 x 6	21.00	13.94	17.50	6107531
110 x 200	4 x 8	25.63	17.06	21.38	6107583
160 x 250	6 x 10	33.44	22.19	27.75	6107627
200 x 315	8 x 12	35.63	26.25	32.75	6107660

Duo-Pro®  
PVDF



### DOGBONE® END TERMINATION

Size		PVDF x PVDF		
		MOP 150 PSI		
mm	inch	L	L2	Part Number
32 x 90	1 x 3	3.00	2.25	6228134
63 x 110	2 x 4	3.00	2.25	6228420
90 x 160	3 x 6	3.00	2.25	6228531
110 x 200	4 x 8	3.00	2.25	6228583
160 x 250	6 x 10	3.00	2.25	6228627
200 x 315	8 x 12	3.00	2.25	6228660

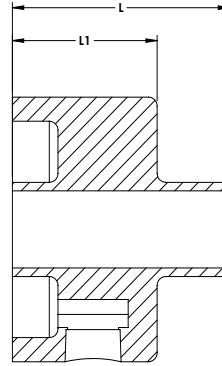
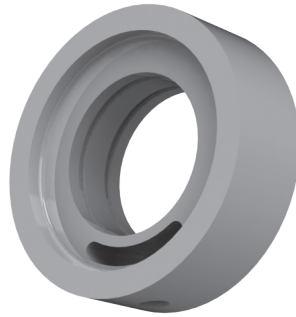
Size		PVDF x PRO150	
		MOP 150 PSI	
mm	inch	L	Part Number
32 x 90	1 x 3	3.00	6033134
63 x 110	2 x 4	3.00	6033420
90 x 160	3 x 6	3.00	6033531
110 x 200	4 x 8	3.00	6033583
160 x 250	6 x 10	3.00	6033627
200 x 315	8 x 12	3.00	6033660
250 x 355	10 x 14	2.25	6033702

O-ring style Dogbone®

Size		PVDF x PRO45	
		MOP 150 x 45 PSI	
mm	inch	L	Part Number
63 x 110	2 x 4	3.00	6137420
90 x 160	3 x 6	3.00	6137531
110 x 200	4 x 8	3.00	6137583
160 x 250	6 x 10	3.00	6137627
200 x 315	8 x 12	3.00	6137660
250 x 355	10 x 14	2.25	6137702
315 x 400	12 x 16	2.25	6137690

O-ring style Dogbone®.

Double Wall  
Piping System



## DOGBONE® END TERMINATION WITH 1/2 TAP

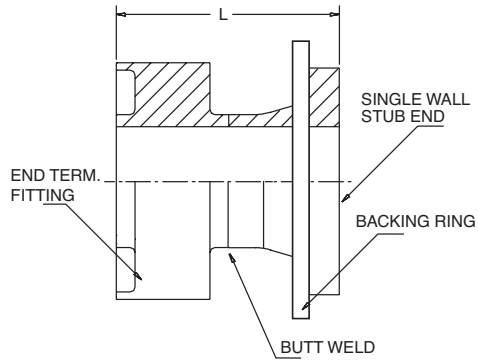
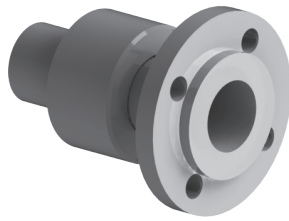
Size		PVDF x PVDF MOP 150 PSI	
mm	inch	L	Part Number
32 x 90	1 x 3	3.0	6224134
63 x 110	2 x 4	3.0	6224420
90 x 160	3 x 6	3.0	6224531
110 x 200	4 x 8	3.0	6224583
160 x 250	6 x 10	3.0	6224627
200 x 315	8 x 12	3.0	6224660

Size		PVDF x PRO150 MOP 150 PSI	
mm	inch	L	Part Number
32 x 90	1 x 3	3.0	6034134
63 x 110	2 x 4	3.0	6034420
90 x 160	3 x 6	3.0	6034531
110 x 200	4 x 8	3.0	6034583
160 x 250	6 x 10	3.0	6034627
200 x 315	8 x 12	3.0	6034660
250 x 355	10 x 14	3.0	6034702

O-ring style Dogbone®.

Size		PVDF x PRO45 MOP 150 x 45 PSI	
mm	inch	L	Part Number
63 x 110	2 x 4	3.0	6138420
90 x 160	3 x 6	3.0	6138531
110 x 200	4 x 8	3.0	6138583
160 x 250	6 x 10	3.0	6138627
200 x 315	8 x 12	3.0	6138660
250 x 355	10 x 14	3.0	6138702
315 x 400	12 x 16	3.0	6138690

O-ring style Dogbone®.



**DOGBONE® FLANGED END TERMINATION**

Size		PVDF x PVDF MOP 150 PSI	
mm	inch	L	Part Number
32 x 90	1 x 3	4.75	6230134
63 x 110	2 x 4	4.75	6230420
90 x 160	3 x 6	6	6230531
110 x 200	4 x 8	6	6230583
160 x 250	6 x 10	6	6230627
200 x 315	8 x 12	6	6230660

Size		PVDF x PRO150 MOP 150 PSI	
mm	inch	L	Part Number
32 x 90	1 x 3	4.75	6035134
63 x 110	2 x 4	4.75	6035420
90 x 160	3 x 6	6	6035531
110 x 200	4 x 8	6	6035583
160 x 250	6 x 10	6	6035627
200 x 315	8 x 12	6	6035660
250 x 355	10 x 14	7	6035702

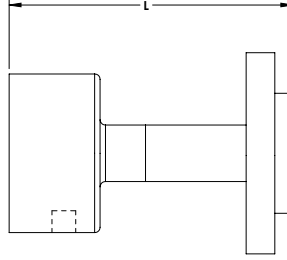
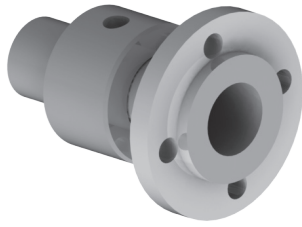
O-ring style Dogbone®.

Size		PVDF x PRO45 MOP 150 x 45 PSI	
mm	inch	L	Part Number
63 x 110	2 x 4	4.75	6139420
90 x 160	3 x 6	6	6139531
110 x 200	4 x 8	6	6139583
160 x 250	6 x 10	6	6139627
200 x 315	8 x 12	6	6139660
250 x 355	10 x 14	7	6139702
315 x 400	12 x 16	7.25	6139690

O-ring style Dogbone®.

Double Wall  
Piping System





## DOGBONE® FLANGED END TERMINATION WITH 1/2 TAP

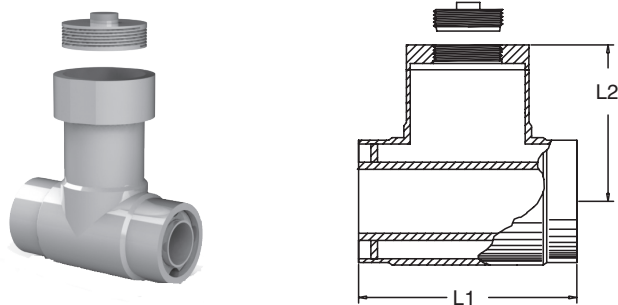
Size		PVDF x PVDF MOP 150 PSI	
mm	inch	L	Part Number
32 x 90	1 x 3	4.75	6231134
63 x 110	2 x 4	4.75	6231420
90 x 160	3 x 6	6	6231531
110 x 200	4 x 8	6	6231583
160 x 250	6 x 10	6	6231627
200 x 315	8 x 12	6	6231660

Size		PVDF x PRO150 MOP 150 PSI	
mm	inch	L	Part Number
32 x 90	1 x 3	4.75	6036134
63 x 110	2 x 4	4.75	6036420
90 x 160	3 x 6	6	6036531
110 x 200	4 x 8	6	6036583
160 x 250	6 x 10	6	6036627
200 x 315	8 x 12	6	6036660
250 x 355	10 x 14	7	6036702

O-ring style Dogbone®.

Size		PVDF x PRO45 MOP 150 x 45 PSI	
mm	inch	L	Part Number
63 x 110	2 x 4	4.75	6140420
90 x 160	3 x 6	6	6140531
110 x 200	4 x 8	6	6140583
160 x 250	6 x 10	6	6140627
200 x 315	8 x 12	6	6140660
250 x 355	10 x 14	7	6140702
315 x 400	12 x 16	7.25	6140690

O-ring style Dogbone®.



**ACCESS TEE WITH THREADED PLUG\***

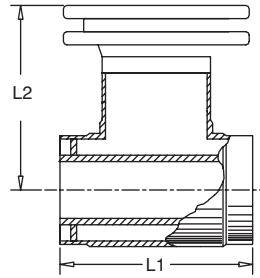
Size		PVDF x PVDF		
		SDR 33 / PN 3 / 45 PSI		
mm	inch	L1	L2	Part Number
32 x 90	1 x 3	7.25	6.63	6204134
63 x 110	2 x 4	9.50	7.25	6204420
90 x 160	3 x 6	13.00	9.75	6204531
110 x 200	4 x 8	15.63	11.00	6204583
160 x 250	6 x 10	17.50	12.25	6204627

Size		PVDF x PRO150		
		SDR 11/ PN 10/ 150 PSI		
mm	inch	L1	L2	Part Number
32 x 90	1 x 3	7.25	6.63	6004134
63 x 110	2 x 4	9.50	7.25	6004420
90 x 160	3 x 6	13.00	9.75	6004531
110 x 200	4 x 8	15.63	11.00	6004583
160 x 250	6 x 10	17.50	12.25	6004627
200 x 315	8 x 12	21.75	13.75	6004660
250 x 355	10 x 14	27.00	15.25	6004702

Size		PVDF x PRO45		
		SDR 11 x 33/ PN 10 x 3 / 150 x 45 PSI		
mm	inch	L1	L2	Part Number
63 x 110	2 x 4	9.50	7.25	6104420
90 x 160	3 x 6	13.00	9.75	6104531
110 x 200	4 x 8	15.63	11.00	6104583
160 x 250	6 x 10	17.50	12.25	6104627
200 x 315	8 x 12	21.75	13.75	6104660
250 x 355	10 x 14	27.00	15.25	6104702
315 x 400	12 x 16	27.00	16.76	6104690

Includes EPDM gasket. Threaded plug rated 5psi

Double Wall  
Piping System



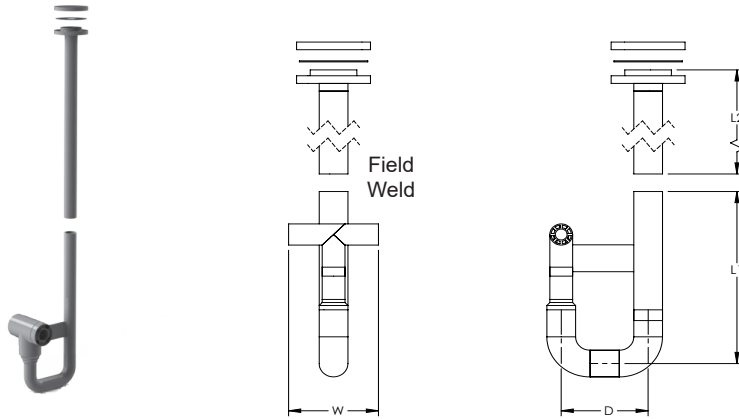
### ACCESS TEE WITH FLANGED COVER

Size		PVDF x PVDF		
		MOP 150 PSI		
mm	inch	L1	L2	Part Number
32 x 90	1 x 3	7.00	7.00	6202134
63 x 110	2 x 4	8.50	7.50	6202420
90 x 160	3 x 6	11.00	8.00	6202531
110 x 200	4 x 8	17.50	12.75	6202583
160 x 250	6 x 10	19.50	13.25	6202627

Size		PVDF x PRO150		
		MOP 150 PSI		
mm	inch	L1	L2	Part Number
32 x 90	1 x 3	7.30	8.00	6002134
63 x 110	2 x 4	9.50	8.50	6002420
90 x 160	3 x 6	13.00	11.00	6002531
110 x 200	4 x 8	15.16	12.75	6002583
160 x 250	6 x 10	17.30	13.25	6002627

Size		PVDF x PRO45		
		MOP 150 x 45 PSI		
mm	inch	L1	L2	Part Number
63 x 110	2 x 4	8.78	7.40	6102420
90 x 160	3 x 6	13.62	9.92	6102531
110 x 200	4 x 8	15.14	12.42	6102583
160 x 250	6 x 10	18.70	14.52	6102627
250 x 355	10 x 14	26.93	18.18	6102702
315 x 400	12 x 16	27.48	18.70	6102690

Includes EPDM gasket - does not include nuts and bolts.



**LOW POINT LEAK DETECTION STATION**

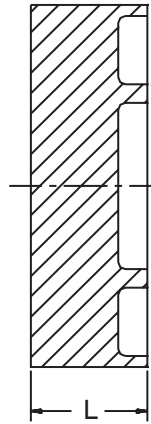
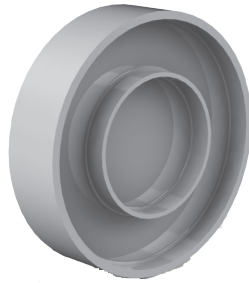
Size		PVDF x PVDF MOP 150 PSI				
mm	inch	D	W	H1	H2	Part Number
32 x 90	1 x 3	10.38	9.63	19.13	36.00	6252134
63 x 110	2 x 4	8.00	8.00	18.00	36.00	6252420
90 x 160	3 x 6	16.00	9.75	13.38	36.00	6252531
110 x 200	4 x 8	14.50	9.50	14.50	36.00	6252583
160 x 250	6 x 10	24.00	13.00	14.00	36.00	6252627
200 x 315	8 x 12	18.75	13.50	18.00	36.00	6252660

Size		PVDF x PRO150 MOP 150 PSI				
mm	inch	D	W	H1	H2	Part Number
32 x 90	1 x 3	10.38	9.63	19.13	36.00	6052134
63 x 110	2 x 4	8.00	8.00	18.00	36.00	6052420
90 x 160	3 x 6	16.00	9.75	13.38	36.00	6052531
110 x 200	4 x 8	14.50	9.50	14.50	36.00	6052583
160 x 250	6 x 10	24.00	13.00	14.00	36.00	6052627
200 x 315	8 x 12	18.75	13.50	18.00	36.00	6052660
250 x 355	10 x 14	22.00	13.50	18.00	36.00	6052702
315 x 400	12 x 16	23.00	16.00	13.00	36.00	6052690

Size		PVDF x PRO45 MOP 150 x 45 PSI				
mm	inch	D	W	H1	H2	Part Number
63 x 110	2 x 4	8.00	8.00	18.00	36.00	6152420
90 x 160	3 x 6	16.00	9.75	13.38	36.00	6152531
110 x 200	4 x 8	14.50	9.50	14.50	36.00	6152583
160 x 250	6 x 10	24.00	13.00	14.00	36.00	6152627
200 x 315	8 x 12	18.75	13.50	18.00	36.00	6152660
250 x 355	10 x 14	22.00	13.50	18.00	36.00	6152702
315 x 400	12 x 16	23.00	16.00	13.00	36.00	6152690

Station consists of access tee, (two) -90's, 2" or 4" riser pipe (4' long), stub end, backing ring and flange. Includes EPDM gasket - does not include nuts and bolts. Access cover to be shipped separately and installed in field.

Double Wall  
Piping System

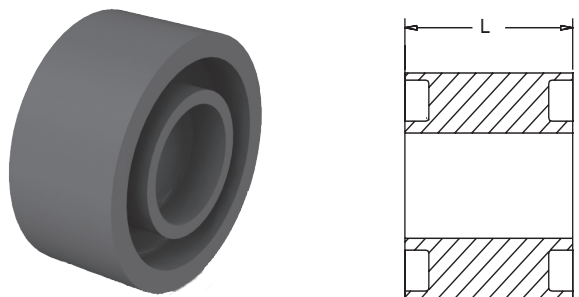


**CAP**

Size		PVDF x PVDF	
		MOP 150 PSI	
mm	inch	L	Part Number
32 x 90	1 x 3	2.00	6251134
63 x 110	2 x 4	2.00	6251420
90 x 160	3 x 6	2.00	6251531
110 x 200	4 x 8	2.00	6251583
160 x 250	6 x 10	2.00	6251627
200 x 315	8 x 12	2.00	6251660

Caps are not available in dissimilar material systems.





**SOLID DOGBONE®**

Size		PVDF x PVDF MOP 150 PSI	
mm	inch	L	Part Number
32 x 90	1 x 3	3.00	6226134
63 x 110	2 x 4	3.00	6226420
90 x 160	3 x 6	3.00	6226531
110 x 200	4 x 8	3.00	6226583
160 x 250	6 x 10	3.00	6226627
200 x 315	8 x 12	3.00	6226660

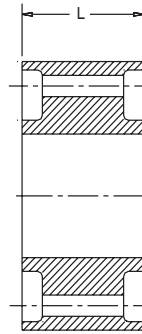
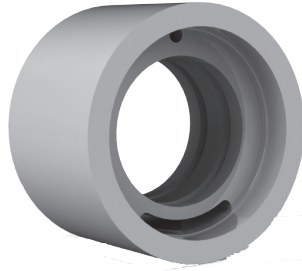
Size		PVDF x PRO150 MOP 150 PSI	
mm	inch	L	Part Number
32 x 90	1 x 3	3.00	6026134
63 x 110	2 x 4	3.00	6026420
90 x 160	3 x 6	3.00	6026531
110 x 200	4 x 8	3.00	6026583
160 x 250	6 x 10	3.00	6026627
200 x 315	8 x 12	3.00	6026660
250 x 355	10 x 14	2.25	6026702
315 x 400	12 x 16	2.25	6026690

O-ring style Dogbone®.

Size		PVDF x PRO45 MOP 150 x 45 PSI	
mm	inch	L	Part Number
63 x 110	2 x 4	3.00	6132420
90 x 160	3 x 6	3.00	6132531
110 x 200	4 x 8	3.00	6132583
160 x 250	6 x 10	3.00	6132627
200 x 315	8 x 12	3.00	6132660
250 x 355	10 x 14	2.25	6132702
315 x 400	12 x 16	2.25	6132690

O-ring style Dogbone®.

Double Wall  
Piping System



**ANNULAR DOGBONE®**

Size		PVDF x PVDF MOP 150 PSI	
mm	inch	L	Part Number
32 x 90	1 x 3	3.0	6229134
63 x 110	2 x 4	3.0	6229420
90 x 160	3 x 6	3.0	6229531
110 x 200	4 x 8	3.0	6229583
160 x 250	6 x 10	3.0	6229627
200 x 315	8 x 12	3.0	6229660

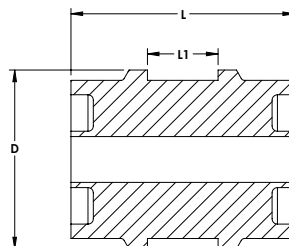
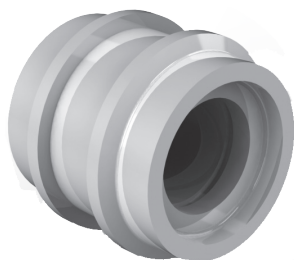
Size		PVDF x PRO150 MOP 150 PSI	
mm	inch	L	Part Number
32 x 90	1 x 3	3.0	6028134
63 x 110	2 x 4	3.0	6028420
90 x 160	3 x 6	3.0	6028531
110 x 200	4 x 8	3.0	6028583
160 x 250	6 x 10	3.0	6028627
200 x 315	8 x 12	3.0	6028660
250 x 355	10 x 14	3.0	6028702
315 x 400	12 x 16	3.0	6028690

O-ring style Dogbone®.

Size		PVDF x PRO45 MOP 150 x 45 PSI	
mm	inch	L	Part Number
63 x 110	2 x 4	3.0	6135420
90 x 160	3 x 6	3.0	6135531
110 x 200	4 x 8	3.0	6135583
160 x 250	6 x 10	3.0	6135627
200 x 315	8 x 12	3.0	6135660
250 x 355	10 x 14	3.0	6135702
315 x 400	12 x 16	3.0	6135690

O-ring style Dogbone®.





**SOLID RESTRAINT DOGBONE®**

Size		PVDF x PVDF MOP 150 PSI			
mm	inch	L	L1	D	Part Number
32 x 90	1 x 3	3.63	1.63	4.54	6227134
63 x 110	2 x 4	3.63	1.63	5.33	6227420
90 x 160	3 x 6	4.40	2.40	7.30	6227531
110 x 200	4 x 8	4.40	2.40	8.87	6227583
160 x 250	6 x 10	3.63	1.63	10.84	6227627
200 x 315	8 x 12	3.63	1.63	13.40	6227660

Size		PVDF x PRO150 MOP 150 PSI			
mm	inch	L	L1	D	Part Number
32 x 90	1 x 3	3.63	1.63	4.54	6027134
63 x 110	2 x 4	3.63	1.63	5.33	6027420
90 x 160	3 x 6	4.40	2.40	7.30	6027531
110 x 200	4 x 8	4.40	2.40	8.87	6027583
160 x 250	6 x 10	3.63	1.63	10.84	6027627
200 x 315	8 x 12	3.63	1.63	13.40	6027660
250 x 355	10 x 14	5.00	1.58	14.75	6027702
315 x 400	12 x 16	5.00	1.58	16.75	6027690

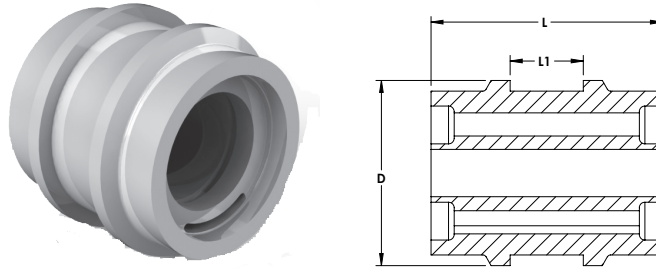
O-ring style Dogbone®

Size		PVDF x PRO45 MOP 150 x 45 PSI			
mm	inch	L	L1	D	Part Number
63 x 110	2 x 4	3.63	1.63	5.33	6133420
90 x 160	3 x 6	4.40	2.40	7.30	6133531
110 x 200	4 x 8	4.40	2.40	8.87	6133583
160 x 250	6 x 10	3.63	1.63	10.84	6133627
200 x 315	8 x 12	3.63	1.63	13.40	6133660
250 x 355	10 x 14	5.00	1.58	14.75	6133702
315 x 400	12 x 16	5.00	1.58	16.75	6133690

O-ring style Dogbone®

**Double Wall  
Piping System**





**ANNULAR RESTRAINT DOGBONE®**

Size		PVDF x PVDF			
		MOP 150 PSI			
mm	inch	L	L1	D	Part Number
32 x 90	1 x 3	3.63	1.63	4.54	6237134
63 x 110	2 x 4	3.63	1.63	5.33	6237420
90 x 160	3 x 6	4.40	2.40	7.30	6237531
110 x 200	4 x 8	4.40	2.40	8.87	6237583
160 x 250	6 x 10	3.63	1.63	10.84	6237627
200 x 315	8 x 12	3.63	1.63	13.40	6237660

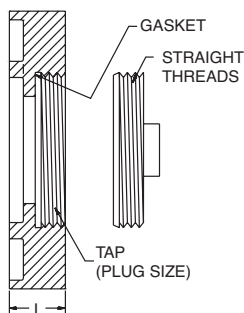
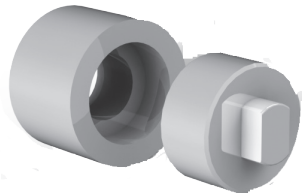
Size		PVDF x P150			
		MOP 150 PSI			
mm	inch	L	L1	D	Part Number
32 x 90	1 x 3	3.63	1.63	4.54	6029134
63 x 110	2 x 4	3.63	1.63	5.33	6029420
90 x 160	3 x 6	4.40	2.40	7.30	6029531
110 x 200	4 x 8	4.40	2.40	8.87	6029583
160 x 250	6 x 10	3.63	1.63	10.84	6029627
200 x 315	8 x 12	3.63	1.63	13.40	6029660
250 x 355	10 x 14	5.00	1.58	14.75	6029702
315 x 400	12 x 16	5.00	1.58	16.75	6029690

O-ring style Dogbone®

Size		PVDF x P45			
		MOP 150 x 45 PSI			
mm	inch	L	L1	D	Part Number
63 x 110	2 x 4	3.63	1.63	5.33	6136420
90 x 160	3 x 6	4.40	2.40	7.30	6136531
110 x 200	4 x 8	4.40	2.40	8.87	6136583
160 x 250	6 x 10	3.63	1.63	10.84	6136627
200 x 315	8 x 12	3.63	1.63	13.40	6136660
250 x 355	10 x 14	5.00	1.58	14.75	6136702
315 x 400	12 x 16	5.00	1.58	16.75	6136690

O-ring style Dogbone®





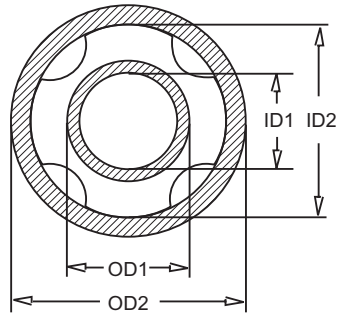
**CLEANOUT WITH PLUG\***

Size		PVDF x PVDF		
		MOP 5 PSI		
mm	inch	L	Tap	Part Number
32 x 90	1 x 3	3.00	2.00	6232134
63 x 110	2 x 4	3.00	3.00	6232420
90 x 160	3 x 6	3.00	4.00	6232531
110 x 200	4 x 8	3.00	4.00	6232583
160 x 250	6 x 10	3.00	6.00	6232627
200 x 315	8 x 12	3.00	6.00	6232660

\*Includes EPDM gasket. Threaded plug rated 5psi

*Page intentionally left blank*

Duo-Pro®  
PVDF



**SIMULTANEOUS WELD PIPE\*** 5 meter (16.4') lengths

Size		ECTFE x ECTFE				
		MOP 150 PSI				
mm	inch	OD1	OD2	ID1	ID2	Part Number
32 x 90	1 x 3	1.26	3.54	1.07	3.32	8802134
63 x 110	2 x 4	2.48	4.33	2.24	4.06	8802420
90 x 160	3 x 6	3.54	6.30	3.20	6.14	8802531
110 x 200	4 x 8	4.73	7.87	5.91	7.48	8802583

\*Pipe is sold in 5 meter lengths (16.4').

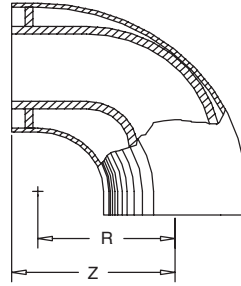
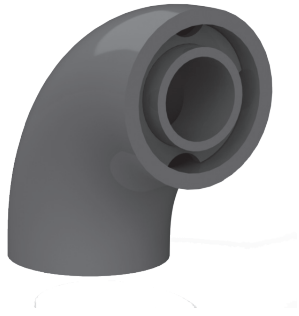
**STAGGERED WELD PIPE\*** 5 meter (16.4') lengths

Size		ECTFE x PRO150				
		MOP 150 PSI				
mm	inch	OD1	OD2	ID1	ID2	Part Number
32 x 90	1 x 3	1.26	3.54	1.07	2.90	8102134
63 x 110	2 x 4	2.48	4.33	2.24	3.54	8102420
90 x 160	3 x 6	3.54	6.30	3.32	5.15	8102531
110 x 200	4 x 8	4.33	7.87	4.06	6.44	8102583

\*Staggered welding of dissimilar materials requires two welding machines and special installation. Asahi Field tech training highly recommended.

Size		ECTFE x PRO45				
		MOP 150 x 45 PSI				
mm	inch	OD1	OD2	ID1	ID2	Part Number
63 x 110	2 x 4	2.48	4.33	4.06	2.24	8202420
90 x 160	3 x 6	3.54	6.30	5.91	3.32	8202531
110 x 200	4 x 8	4.33	7.87	7.39	4.06	8202583

\*Staggered welding of dissimilar materials requires two welding machines and special installation. Asahi Field tech training highly recommended.



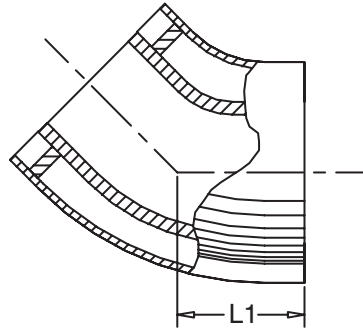
**90 DEGREE ELBOW**

Size		ECTFE x ECTFE		
		MOP 150 PSI		
mm	inch	Z	R	Part Number
32 x 90	1 x 3	4.06	3.58	8805134
63 x 110	2 x 4	4.85	4.25	8805420
90 x 160	3 x 6	7.08	6.10	8805531
110 x 200	4 x 8	7.87	7.68	8805583

Size		ECTFE x PRO150		
		MOP 150 PSI		
mm	inch	Z	R	Part Number
32 x 90	1 x 3	3.94	3.35	8105134
63 x 110	2 x 4	4.88	4.13	8105420
90 x 160	3 x 6	7.08	6.10	8105531
110 x 200	4 x 8	7.87	7.68	8105583

Size		ECTFE x PRO45		
		MOP 150 x 45 PSI		
mm	inch	Z	R	Part Number
63 x 110	2 x 4	4.72	4.33	8205420
90 x 160	3 x 6	6.69	6.10	8205531
110 x 200	4 x 8	8.66	7.76	8205583



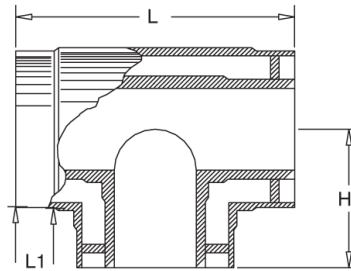
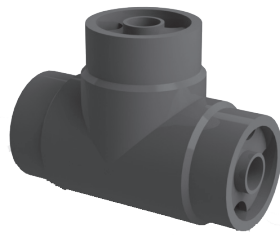


**45 DEGREE ELBOW**

Size		ECTFE x ECTFE	
		MOP 150 PSI	
mm	inch	L1	Part Number
32 x 90	1 x 3	5.00	8808134
63 x 110	2 x 4	6.00	8808420
90 x 160	3 x 6	6.00	8808531
110 x 200	4 x 8	6.50	8808583

Size		ECTFE x PRO150	
		MOP 150 PSI	
mm	inch	L1	Part Number
32 x 90	1 x 3	4.00	8108134
63 x 110	2 x 4	4.25	8108420
90 x 160	3 x 6	6.00	8108531
110 x 200	4 x 8	6.50	8108583

Size		ECTFE x PRO45	
		MOP 150 x 45 PSI	
mm	inch	L1	Part Number
63 x 110	2 x 4	5.00	8208420
90 x 160	3 x 6	6.00	8208531
110 x 200	4 x 8	6.00	8208583

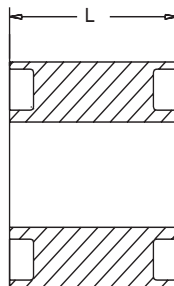
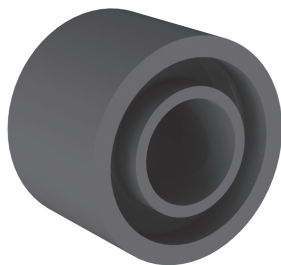


**TEE**

Size		ECTFE x ECTFE		
		MOP 150 PSI		
mm	inch	L1	H1	Part Number
32 x 90	1 x 3	7.13	3.62	8811134
63 x 110	2 x 4	8.50	4.33	8811420
90 x 160	3 x 6	10.98	5.51	8811531
110 x 200	4 x 8	17.56	8.78	8811583

Size		ECTFE x PRO150		
		MOP 150 PSI		
mm	inch	L1	H1	Part Number
32 x 90	1 x 3	8.15	4.17	8111134
63 x 110	2 x 4	9.45	4.72	8111420
90 x 160	3 x 6	12.40	6.30	8111531
110 x 200	4 x 8	15.59	7.80	8111583

Size		ECTFE x PRO45		
		MOP 150 x 45 PSI		
mm	inch	L1	H1	Part Number
63 x 110	2 x 4	8.46	4.29	8211420
90 x 160	3 x 6	10.94	5.51	8211531
110 x 200	4 x 8	13.39	6.69	8211583



**SOLID DOGBONE®**

Size		ECTFE x ECTFE MOP 150 PSI	
mm	inch	L	Part Number
32 x 90	1 x 3	3	8830134
63 x 110	2 x 4	3	8830420

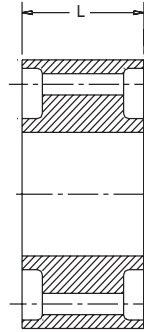
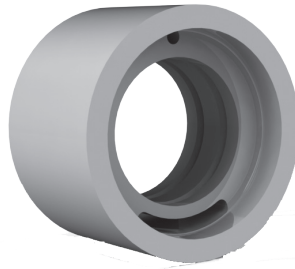
Size		ECTFE x PRO150 MOP 150 PSI		
mm	inch	L	Oring	Part Number
32 x 90	1 x 3	3	2-322	8130134
63 x 110	2 x 4	3	2-333	8130420
90 x 160	3 x 6	3	2-341	8130531
110 x 200	4 x 8	3	2-348	8130583

O-ring style Dogbone®

Size		ECTFE x PRO45 MOP 150 x 45 PSI		
mm	inch	L	Oring	Part Number
63 x 110	2 x 4	3	2-333	8230420
90 x 160	3 x 6	3	2-341	8230531
110 x 200	4 x 8	3	2-348	8230583

O-ring style Dogbone®.





**ANNULAR DOGBONE®**

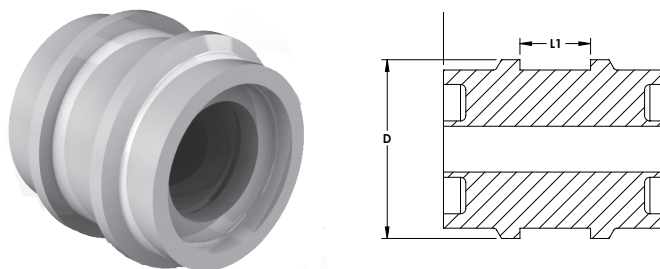
Size		ECTFE x ECTFE MOP 150 PSI	
mm	inch	L	Part Number
32 x 90	1 x 3	3	8845134
63 x 110	2 x 4	3	8845420
90 x 160	3 x 6	2.5	8845531
110 x 200	4 x 8	2.5	8845583

Size		ECTFE x PRO150 MOP 150 PSI	
mm	inch	L	Part Number
32 x 90	1 x 3	3	8145134
63 x 110	2 x 4	3	8145420
90 x 160	3 x 6	3	8145531
110 x 200	4 x 8	3	8145583

O-ring style Dogbone®.

Size		ECTFE x PRO45 MOP 150 x 45 PSI	
mm	inch	L	Part Number
63 x 110	2 x 4	3	8245420
90 x 160	3 x 6	3	8245531
110 x 200	4 x 8	3	8245583

O-ring style Dogbone®.



**SOLID RESTRAINT DOGBOONE®**

Size		ECTFE x ECTFE*			
		MOP 150 PSI			
mm	inch	L	L1	OD	Part Number
32 x 90	1 x 3	3.63	1.63	4.54	8885134
63 x 110	2 x 4	3.63	1.63	5.33	8885420

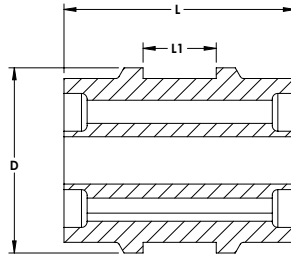
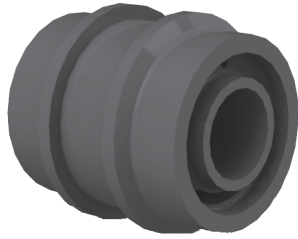
\*3 x 6 and 4 x 8 sizes are not available.

Size		ECTFE x PRO150			
		MOP 150 PSI			
mm	inch	L	L1	OD	Part Number
32 x 90	1 x 3	3.63	1.63	4.54	8185134
63 x 110	2 x 4	3.63	1.63	5.33	8185420
90 x 160	3 x 6	4.40	2.40	7.30	8185531
110 x 200	4 x 8	4.40	2.40	8.87	8185583

O-ring style Dogbone®.

Size		ECTFE x PRO45			
		MOP 150 x 45 PSI			
mm	inch	L	L1	OD	Part Number
63 x 110	2 x 4	3.63	1.63	5.33	8285420
90 x 160	3 x 6	4.40	2.40	7.30	8285531
110 x 200	4 x 8	4.40	2.40	8.87	8285583

O-ring style Dogbone®.



**ANNULAR RESTRAINT DOGBONE®**

Size		ECTFE x ECTFE*			
		MOP 150 PSI			
mm	inch	L	L1	OD	Part Number
32 x 90	1 x 3	3.63	1.63	4.54	8895134
63 x 110	2 x 4	3.63	1.63	5.33	8895420

\*3 x 6 and 4 x 8 sizes are not available.

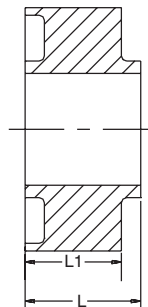
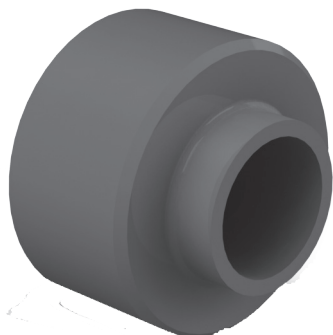
Size		ECTFE x PRO150			
		MOP 150 PSI			
mm	inch	L	L1	OD	Part Number
32 x 90	1 x 3	3.63	1.63	4.54	8195134
63 x 110	2 x 4	3.63	1.63	5.33	8195420
90 x 160	3 x 6	4.40	2.40	7.30	8195531
110 x 200	4 x 8	4.40	2.40	8.87	8195583

O-ring style Dogbone®.

Size		ECTFE x PRO45			
		MOP 150 x 45 PSI			
mm	inch	L	L1	OD	Part Number
63 x 110	2 x 4	3.63	1.63	5.33	8295420
90 x 160	3 x 6	4.40	2.40	7.30	8295531
110 x 200	4 x 8	4.40	2.40	8.87	8295583

O-ring style Dogbone®.





**DOGBONE® END TERMINATION**

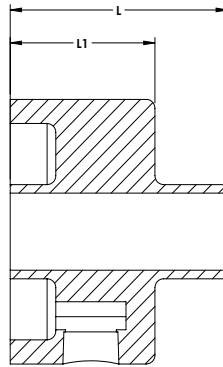
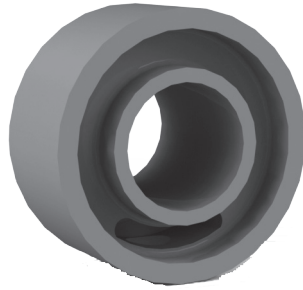
Size		ECTFE x ECTFE MOP 150 PSI	
mm	inch	L	Part Number
32 x 90	1 x 3	3.60	8833134
63 x 110	2 x 4	3.60	8833420
90 x 160	3 x 6	2.50	8833531
110 x 200	4 x 8	2.50	8833583

Size		ECTFE X PRO150 MOP 150 PSI	
mm	inch	L	Part Number
32 x 90	1 x 3	3.60	8133134
63 x 110	2 x 4	3.80	8133420
90 x 160	3 x 6	4.40	8133531
110 x 200	4 x 8	4.00	8133583

O-ring style Dogbone®.

Size		ECTFE X PRO45 MOP 150 X 45 PSI	
mm	inch	L	Part Number
63 x 110	2 x 4	3.60	8233420
90 x 160	3 x 6	4.40	8233531
110 x 200	4 x 8	4.40	8233583

O-ring style Dogbone®.



**DOGBONE® END TERMINATION WITH 1/2" TAP**

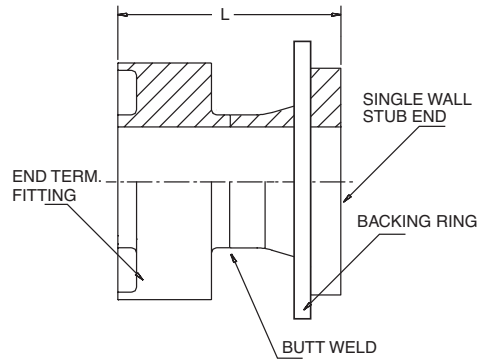
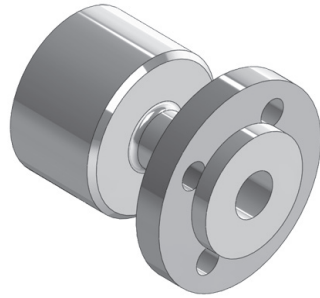
Size		ECTFE x ECTFE MOP 150 PSI	
mm	inch	L	Part Number
32 x 90	1 x 3	3.00	8834134
63 x 110	2 x 4	3.00	8834420
90 x 160	3 x 6	2.50	8834531
110 x 200	4 x 8	2.50	8834583

Size		ECTFE X PRO150 MOP 150 PSI	
mm	inch	L	Part Number
32 x 90	1 x 3	3.00	8134134
63 x 110	2 x 4	3.00	8134420
90 x 160	3 x 6	3.00	8134531
110 x 200	4 x 8	3.00	8134583

O-ring style Dogbone®.

Size		ECTFE X PRO45 MOP 150 X 45 PSI	
mm	inch	L	Part Number
63 x 110	2 x 4	3.00	8234420
90 x 160	3 x 6	3.00	8234531
110 x 200	4 x 8	3.00	8234583

O-ring style Dogbone®.



**DOGBONE® FLANGED END TERMINATION**

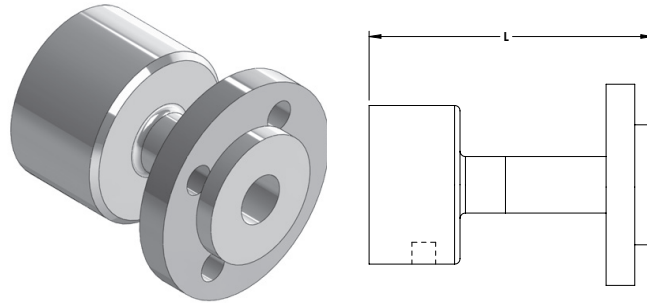
Size		ECTFE x ECTFE MOP 150 PSI	
mm	inch	L	Part Number
32 x 90	1 x 3	4.75	8825134
63 x 110	2 x 4	4.75	8825420
90 x 160	3 x 6	5.50	8825531
110 x 200	4 x 8	5.50	8825583

Size		ECTFE X PRO150 MOP 150 PSI	
mm	inch	L	Part Number
32 x 90	1 x 3	4.75	8125134
63 x 110	2 x 4	4.75	8125420
90 x 160	3 x 6	6.00	8125531
110 x 200	4 x 8	6.00	8125583

O-ring style Dogbone®.

Size		ECTFE X PRO45 MOP 150 X 45 PSI	
mm	inch	L	Part Number
63 x 110	2 x 4	4.75	8225420
90 x 160	3 x 6	6.00	8225531
110 x 200	4 x 8	6.00	8225583

O-ring style Dogbone®.



**DOGBONE® FLANGED END TERMINATION WITH 1/2" TAP**

Size		ECTFE x ECTFE MOP 150 PSI	
mm	inch	L	Part Number
32 x 90	1 x 3	4.75	8826134
63 x 110	2 x 4	4.75	8826420
90 x 160	3 x 6	5.50	8826531
110 x 200	4 x 8	5.50	8826583

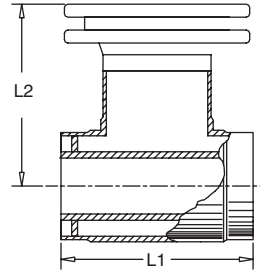
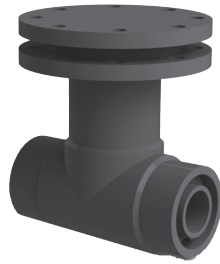
Size		ECTFE X PRO150 MOP 150 PSI	
mm	inch	L	Part Number
32 x 90	1 x 3	4.75	8126134
63 x 110	2 x 4	4.75	8126420
90 x 160	3 x 6	6.00	8126531
110 x 200	4 x 8	6.00	8125583

O-ring style Dogbone®.

Size		ECTFE X PRO45 MOP 150 X 45 PSI	
mm	inch	L	Part Number
63 x 110	2 x 4	4.75	8226420
90 x 160	3 x 6	6.00	8226531
110 x 200	4 x 8	6.00	8226583

O-ring style Dogbone®.





**ACCESS TEE WITH FLANGED COVER\***

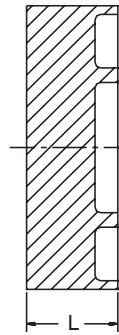
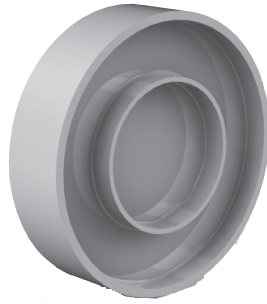
Size		ECTFE x ECTFE MOP 150 PSI		
mm	inch	L1	L2	Part Number
32 x 90	1 x 3	7.25	6.63	8865134
63 x 110	2 x 4	9.50	7.25	8865420
90 x 160	3 x 6	11.00	8.00	8865531
110 x 200	4 x 8	17.50	12.75	8865583

Size		ECTFE X PRO150 MOP 150 PSI		
mm	inch	L1	L2	Part Number
32 x 90	1 x 3	7.25	6.63	8165134
63 x 110	2 x 4	9.50	7.25	8165420
90 x 160	3 x 6	13.00	9.75	8165531
110 x 200	4 x 8	15.63	11.00	8165583

Size		ECTFE X PRO45 MOP 150 X 45 PSI		
mm	inch	L1	L2	Part Number
63 x 110	2 x 4	9.50	7.25	8265420
90 x 160	3 x 6	13.00	9.75	8265531
110 x 200	4 x 8	15.63	11.00	8265583

Includes EPDM gasket.

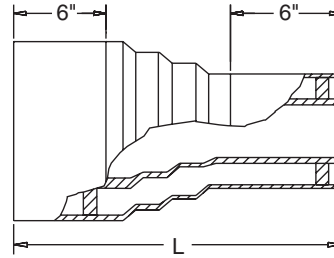
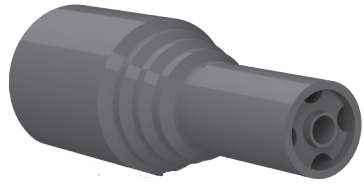




**CAP\***

Size		ECTFE x ECTFE MOP 150 PSI	
mm	inch	L	Part Number
32 x 90	1 x 3	2.00	8815134
63 x 110	2 x 4	2.00	8815420
90 x 160	3 x 6	2.50	8815420
110 x 200	4 x 8	2.50	8815420

\*Caps are not available for dissimilar material systems



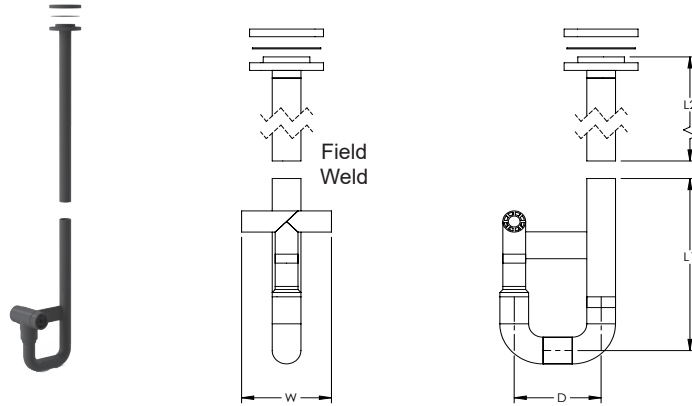
**CONCENTRIC REDUCER**

Size		ECTFE x ECTFE MOP 150 PSI	
mm	inch	L	Part Number
(63x32)(110x90)	(2x1)(4x3)	16.50	8820740
(90x63)(160x110)	(3x2)(6x4)	15.75	8820743
(110x90)(200x160)	(4x3)(8x6)	15.00	8820746

Size		ECTFE X PRO150 MOP 150 PSI	
mm	inch	L	Part Number
(63x32)(110x90)	(2x1)(4x3)	16.50	8120740
(90x32)(160x90)	(3x1)(6x3)	15.25	8120741
(90x63)(160x110)	(3x2)(6x4)	17.75	8120743
(110x63)(200x110)	(4x2)(8x4)	14.50	8120744

Size		ECTFE X PRO45 MOP 150 X 45 PSI	
mm	inch	L	Part Number
(63x32)(110x90)	(2x1)(4x3)	16.50	8220740
(90x32)(160x90)	(3x1)(6x3)	15.25	8220741
(90x63)(160x110)	(3x2)(6x4)	17.75	8220743
(110x63)(200x110)	(4x2)(8x4)	14.50	8220744





**LOW POINT LEAK DETECTION STATION**

Size		Dimensions				ECTFE X ECTFE MOP 150 PSI
mm	inch	D	W	H1	H2	Part Number
32 x 90	1 x 3	10.38	9.63	19.13	36.00	8835134
63 x 110	2 x 4	8.00	8.00	18.00	36.00	8835420
90 x 160	3 x 6	16.00	9.75	12.38	36.00	8835531
110 x 200	4 x 8	14.50	9.50	14.50	36.00	8835583

Size		Dimensions				ECTFE X PRO150 MOP 150 PSI
mm	inch	D	W	H1	H2	Part Number
32 x 90	1 x 3	10.38	9.63	19.13	36.00	8135134
63 x 110	2 x 4	8.00	8.00	18.00	36.00	8135420
90 x 160	3 x 6	16.00	9.75	13.38	36.00	8135531
110 x 200	4 x 8	14.50	9.50	14.50	36.00	8135583

Size		Dimensions				ECTFE X PRO45 MOP 150 X 45 PSI
mm	inch	D	W	H1	H2	Part Number
63 x 110	2 x 4	8.00	8.00	18.00	36.00	8235420
90 x 160	3 x 6	16.00	9.75	13.38	36.00	8235531
110 x 200	4 x 8	14.50	9.50	14.50	36.00	8235583

Station consists of access tee, (2) 90's, 2" or 4" riser pipe (4' long), stub end, backing ring and flange. Includes EPDM gasket - does not include nuts and bolts. Access cover to be shipped separately and installed in field.

Duo-Pro®  
Piping System

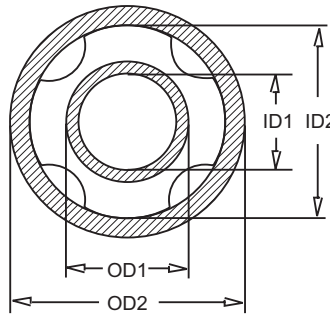
*Page intentionally left blank*

Duo-Pro®  
Halar®

Chem Prolok®  
Advanced PE



# Chem Prolok® PE Double Wall Piping System

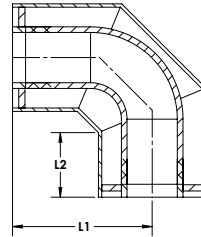


**SIMULTANEOUS WELDING PIPE\*** 5 meter (16.4') lengths

Size		Dimensions				SDR 11 X 33/ PN 10 x 3/ 150 X 45 PSI
mm	inches	OD1	OD2	ID1	ID2	Part Number
32 x 90	1 x 3	1.26	3.54	1.02	2.80	584300134*
63 x 110	2 x 4	2.48	4.33	2.02	4.06	584300420
90 x 160	3 x 6	3.54	6.30	2.90	5.91	584300531
110 x 200	4 x 8	4.33	7.87	3.54	7.39	584300583
200 x 250	6 x 10	6.30	9.84	5.15	9.23	584300627
200 x 315	8 x 12	7.87	12.40	6.44	11.63	584300660
250 x 355	10 x 14	9.84	13.98	8.05	13.10	584300702
315 x 400	12 x 16	12.40	15.75	10.14	14.77	584300690

\*Pipe is sold in 5 meter lengths (16.4')

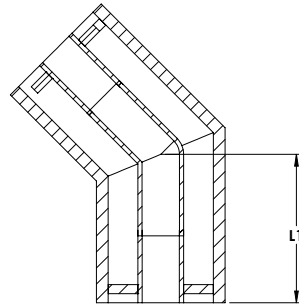
\*SDR 11 x 11.



**90 DEGREE ELBOW**

Size		Dimensions		SDR 11 X 33/ PN 10 x 3/ 150 X 45 PSI
mm	inches	L1	L2	Part Number
32 x 90	1 x 3	5.125	2.750	584295134*
63 x 110	2 x 4	5.625	2.625	584295420
90 x 160	3 x 6	7.125	2.750	584295531
110 x 200	4 x 8	9.250	3.375	584295583
200 x 250	6 x 10	14.500	4.000	582910627
200 x 315	8 x 12	19.375	5.375	582910660
250 x 355	10 x 14	19.250	5.125	582910702
315 x 400	12 x 16	19.375	4.750	582910690

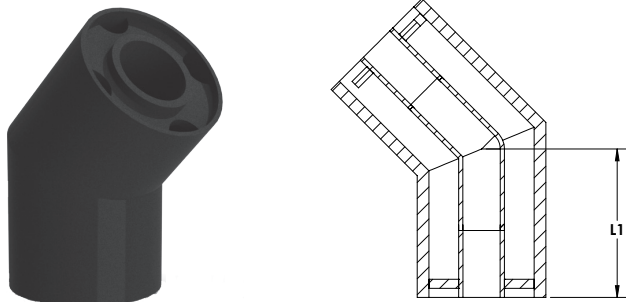
\*SDR 11 x 11



**45 DEGREE ELBOW**

Size		Dimensions	SDR 11 X 33/ PN 10 x 3/ 150 X 45 PSI
mm	inches	L1	Part Number
32 x 90	1 x 3	3.375	584296134*
63 x 110	2 x 4	2.875	584296420
90 x 160	3 x 6	3.500	584296531
110 x 200	4 x 8	3.375	584296583
200 x 250	6 x 10	4.000	582900627
200 x 315	8 x 12	5.375	582900660
250 x 355	10 x 14	5.125	582900702
315 x 400	12 x 16	4.750	582900690

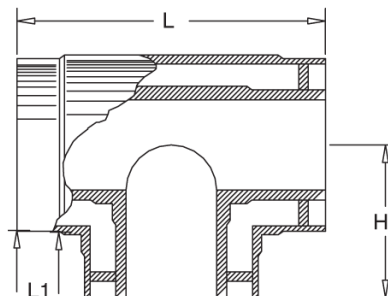
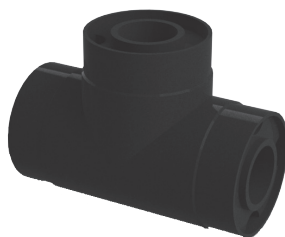
\*SDR 11 x 11.



**22.5\* DEGREE ELBOW**

Size		Dimensions	SDR 11 X 33/ PN 10 x 3/ 150 X 45 PSI
mm	inches	L1	Part Number
32 x 90	1 x 3	3.375	584397134*
63 x 110	2 x 4	2.875	584397420
90 x 160	3 x 6	3.500	584397531
110 x 200	4 x 8	3.375	584397583
200 x 250	6 x 10	4.000	584397627
200 x 315	8 x 12	5.375	584397660
250 x 355	10 x 14	5.125	584397702
315 x 400	12 x 16	4.750	584397690

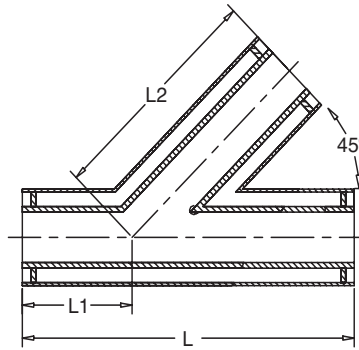
\*SDR 11 x 11.



**TEE**

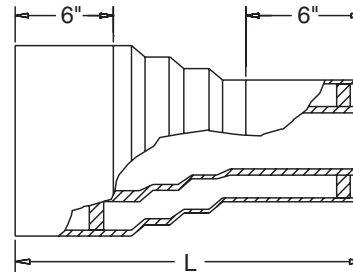
Size		Dimensions			SDR 11 X 33/ PN 10 x 3/ 150 X 45 PSI
mm	inches	L	L1	H	Part Number
32 x 90	1 x 3	8.375	1.500	4.125	584294134*
63 x 110	2 x 4	8.750	1.375	4.250	584294420
90 x 160	3 x 6	11.000	1.750	5.500	584294531
110 x 200	4 x 8	13.500	1.875	6.750	584294583
200 x 250	6 x 10	17.25	2.76	8.66	584294627
200 x 315	8 x 12	21.06	3.15	10.63	584294660
250 x 355	10 x 14	26.93	3.94	13.46	584294702

\*SDR 11 x 11.



**LATERAL STYLE**

Size		Dimensions			SDR 11 X 33/ PN 6 x 2/ 90 X 30 PSI
mm	inches	L	L1	L2	Part Number
63 x 110	2 x 4	6.00	18.00	12.00	584290420
90 x 160	3 x 6	8.00	24.00	16.00	584290531
110 X 200	4 x 8	10.00	30.00	20.00	584290583
200 x 250	6 x 10	12.000	36.000	24.000	584290627
200 x 315	8 x 12	14.000	42.000	28.000	584290660
250 x 355	10 x 14	16.000	48.000	32.000	584290702
315 x 400	12 x 16	18.000	54.000	36.000	584290690



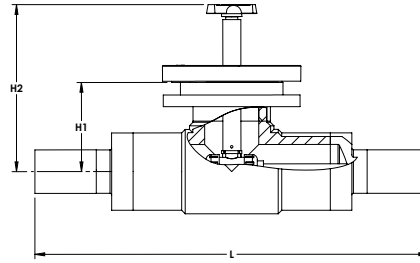
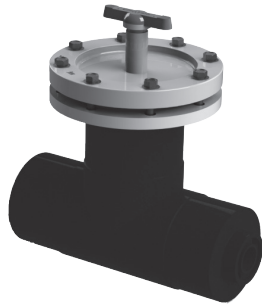
**CONCENTRIC REDUCER**

Size		Dimensions			SDR 11 X 33/ PN 10 x 3/ 150 X 45 PSI
mm	inches	L	L1	H	Part Number
(63x32)(110x90)	(2x1)(4x3)	6.375	4.375	1.625	584299740
(90x32)(160x90)	(3x1)(6x3)	8.375	2.500	2.375	584299741
(90x63)(160x110)	(3x2)(6x4)	7.250	2.500	2.500	584299743
(110x63)(200x110)	(4x2)(8x4)	9.750	2.500	2.500	584299744
(110x90)(200x160)	(4x3)(8x6)	8.500	3.500	2.500	584299746
(160x90)(250x160)	(6x3)(10x6)	9.830	2.000	2.000	584299747
(160x110)(250x200)	(6x4)(10x8)	7.860	2.000	2.000	584299748
(200x110)(315x200)	(8x4)(12x8)	12.750	3.000	2.150	584299895
(200x160)(315x250)	(8x6)(12x10)	9.650	3.000	3.000	584299893
(250x160)(355x250)	(10x6)(14x10)	10.290	2.000	2.000	584299902
(250x200)(355x315)	(10x8)(14x12)	10.000	3.000	3.000	584299899
(315x200)(400x315)	(12x8)(16x12)	11.000	3.200	3.200	584299915
(315x250)(400x355)	(12x10)(16x14)	10.000	3.000	3.000	584299910

Chem Prolok®  
Advanced PE



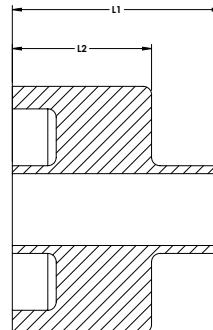
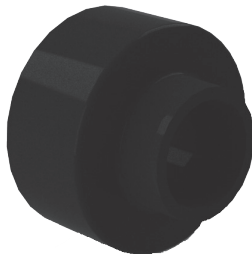
Chem Prolok®  
Advanced PE



**DC VALVE TEE**

Size		Dimensions			SDR 11 X 33/ PN 10 x 3/ 150 X 45 PSI
mm	inches	L	H1	H2	Part Number
32 x 90	1 x 3	32.125	7.250	13.625	584291134
63 x 110	2 x 4	38.875	12.625	18.375	584291420

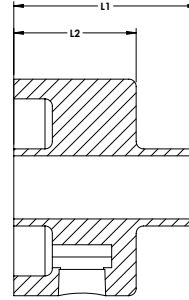
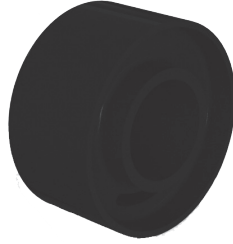
Price does not include valve. Order valve separately. Designed only for Type-21 ball valves and ball checks. Contact factory for other valve needs.



**END TERMINATION**

Size		Dimensions		SDR 11 X 33/ PN 10 x 3/ 150 X 45 PSI
mm	inches	L1	L2	Part Number
32 x 90	1 x 3	3.000	2.000	584297134*
63 x 110	2 x 4	3.000	2.000	584297420
90 x 160	3 x 6	3.000	2.000	584297531
110 x 200	4 x 8	3.000	2.000	584297583
200 x 250	6 x 10	3.000	2.000	584297627
200 x 315	8 x 12	3.000	2.000	584297660
250 x 355	10 x 14	3.500	2.250	584297702
315 x 400	12 x 16	3.500	2.250	584297690

\*SDR 11 x 11.

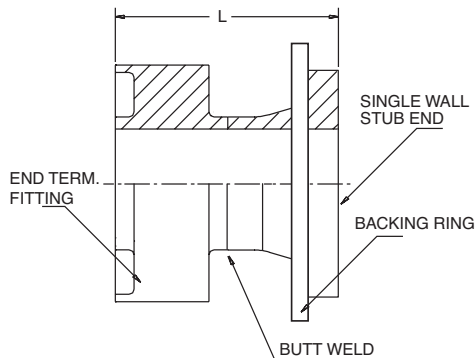
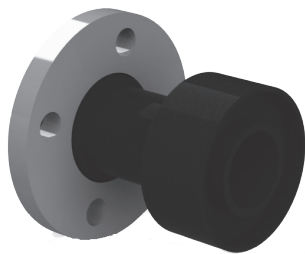


**END TERMINATION WITH 1/2" FPT**

Size		Dimensions		SDR 11 X 33/ PN 10 x 3/ 150 X 45 PSI
mm	inches	L1	L2	Part Number
32 x 90	1 x 3	3.000	2.000	584298134*
63 x 110	2 x 4	3.000	2.250	584298420
90 x 160	3 x 6	3.000	2.250	584298531
110 x 200	4 x 8	3.000	2.250	584298583
200 x 250	6 x 10	3.000	2.250	584298627
200 x 315	8 x 12	3.000	2.250	584298660
250 x 355	10 x 14	3.500	2.750	584298702
315 x 400	12 x 16	3.500	2.750	584298690

\*SDR 11 x 11.





### FLANGED END TERMINATION

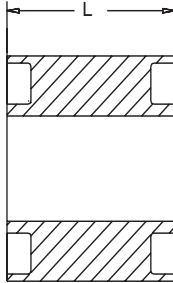
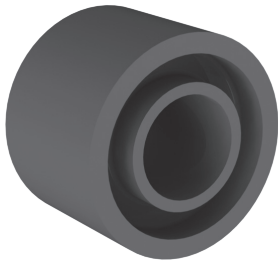
Size		Dimensions	SDR 11 X 33/ PN 10 x 3/ 150 X 45 PSI
mm	inches	L1	Part Number
32 x 90	1 x 3	4.75	584287134
63 x 110	2 x 4	4.75	584287420
90 x 160	3 x 6	6.00	584287531
110 x 200	4 x 8	6.00	584287583
200 x 250	6 x 10	6.00	584287627
200 x 315	8 x 12	6.00	584287660
250 x 355	10 x 14	7.00	584287702
315 x 400	12 x 16	7.25	584287690

\*SDR 11 x 11.

### FLANGED END TERMINATION WITH TAP

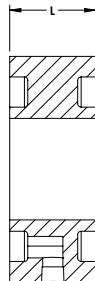
Size		Dimensions	SDR 11 X 33/ PN 10 x 3/ 150 X 45 PSI
mm	inches	L1	Part Number
32 x 90	1 x 3	4.75	584277134
63 x 110	2 x 4	4.75	584277420
90 x 160	3 x 6	6.00	584277531
110 x 200	4 x 8	6.00	584277583
200 x 250	6 x 10	6.00	584277627
200 x 315	8 x 12	6.00	584277660
250 x 355	10 x 14	7.00	584277702
315 x 400	12 x 16	7.00	584277690

\*SDR 11 x 11.



**SOLID DOGBONE®**

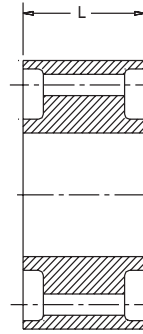
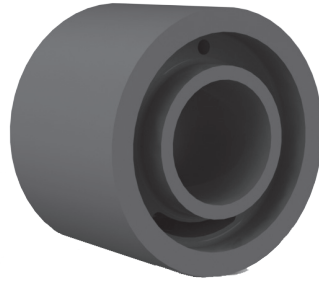
Size		PRO150 x PRO45	
		SDR 11 x 33/ PN 10 x 3 / 150 x 45 PSI	
mm	inch	L	Part Number
32 x 90	1 x 3	3.00	584270134
63 x 110	2 x 4	3.00	584270420
90 x 160	3 x 6	3.00	584270531
110 x 200	4 x 8	3.00	584270583
160 x 250	6 x 10	3.00	584270627
200 x 315	8 x 12	3.00	584270660
250 x 355	10 x 14	2.25	584270702
315 x 400	12 x 16	2.25	584270690



**SOLID DOGBONE® WITH TAP**

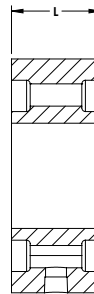
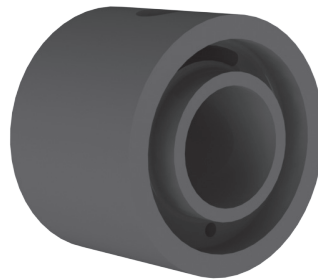
Size		PRO150 x PRO45	
		SDR 11 x 33/ PN 10 x 3 / 150 x 45 PSI	
mm	inch	L	Part Number
32 x 90	1 x 3	3	584271134
63 x 110	2 x 4	3	584271420
90 x 160	3 x 6	3	584271531
110 x 200	4 x 8	3	584271583
160 x 250	6 x 10	3	584271627
200 x 315	8 x 12	3	584271660
250 x 355	10 x 14	3	584271702
315 x 400	12 x 16	3	584271690

**Chem Prolok®**  
**Advanced PE**



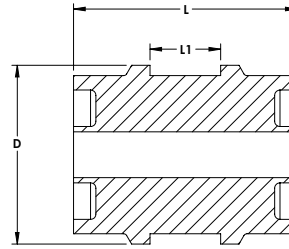
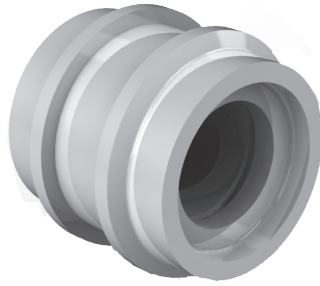
**ANNULAR DOGBONE®**

Size		PRO150 x PRO45	
		SDR 11 x 33/ PN 10 x 3 / 150 x 45 PSI	
mm	inch	L	Part Number
32 x 90	1 x 3	3	584272134
63 x 110	2 x 4	3	584272420
90 x 160	3 x 6	3	584272531
110 x 200	4 x 8	3	584272583
160 x 250	6 x 10	3	584272627
200 x 315	8 x 12	3	584272660
250 x 355	10 x 14	3	584272702
315 x 400	12 x 16	3	584272690



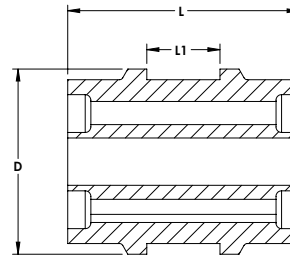
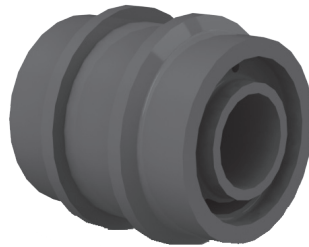
**ANNULAR DOGBONE® WITH TAP**

Size		PRO150 x PRO45	
		SDR 11 x 33/ PN 10 x 3 / 150 x 45 PSI	
mm	inch	L	Part Number
32 x 90	1 x 3	3	584273134
63 x 110	2 x 4	3	584273420
90 x 160	3 x 6	3	584273531
110 x 200	4 x 8	3	584273583
160 x 250	6 x 10	3	584273627
200 x 315	8 x 12	3	584273660
250 x 355	10 x 14	3	584273702
315 x 400	12 x 16	3	584273690



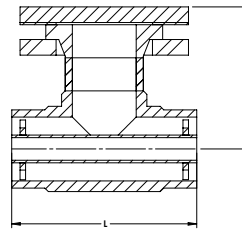
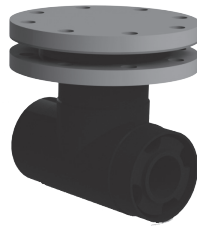
### SOLID RESTRAINT DOGBONE®

Size		PRO150 x PRO45			
		SDR 11 x 33/ PN 10 x 3 / 150 x 45 PSI			
mm	inch	L	L1	D	Part Number
32 x 90	1 x 3	3.63	1.63	4.54	584274134
63 x 110	2 x 4	3.63	1.63	5.33	584274420
90 x 160	3 x 6	4.40	2.40	7.30	584274531
110 x 200	4 x 8	4.40	2.40	8.87	584274583
160 x 250	6 x 10	3.63	1.63	10.84	584274627
200 x 315	8 x 12	3.63	1.63	13.40	584274660
250 x 355	10 x 14	5.00	1.58	14.75	584274702
315 x 400	12 x 16	5.00	1.58	16.75	584274690



### ANNULAR RESTRAINT DOGBONE®

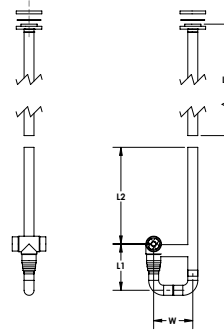
Size		PRO150 x PRO45			
		SDR 11 x 33/ PN 10 x 3 / 150 x 45 PSI			
mm	inch	L	L1	D	Part Number
32 x 90	1 x 3	3.63	1.63	4.54	584275134
63 x 110	2 x 4	3.63	1.63	5.33	584275420
90 x 160	3 x 6	4.40	2.40	7.30	584275531
110 x 200	4 x 8	4.40	2.40	8.87	584275583
160 x 250	6 x 10	3.63	1.63	10.84	584275627
200 x 315	8 x 12	3.63	1.63	13.40	584275660
250 x 355	10 x 14	5.00	1.58	14.75	584275702
315 x 400	12 x 16	5.00	1.58	16.75	584275690



**ACCESS TEE WITH PP BLIND AND PTFE AV**

Size		Dimensions		SDR 11 X 33/ PN 10 x 3/ 150 X 45 PSI
mm	inches	L	H	Part Number
32 x 90	1 x 3	8.375	6.500	584293134*
63 x 110	2 x 4	8.750	6.750	584293420
90 x 160	3 x 6	11.000	9.250	584293531
110 x 200	4 x 8	13.500	10.375	584293583
200 x 250	6 x 10	18.750	12.500	584293627
200 x 315	8 x 12	21.625	14.875	584293660
250 x 355	10 x 14	26.875	18.375	584293702
315 x 400	12 x 16	27.375	20.250	584293690

\*SDR 11 x 11.



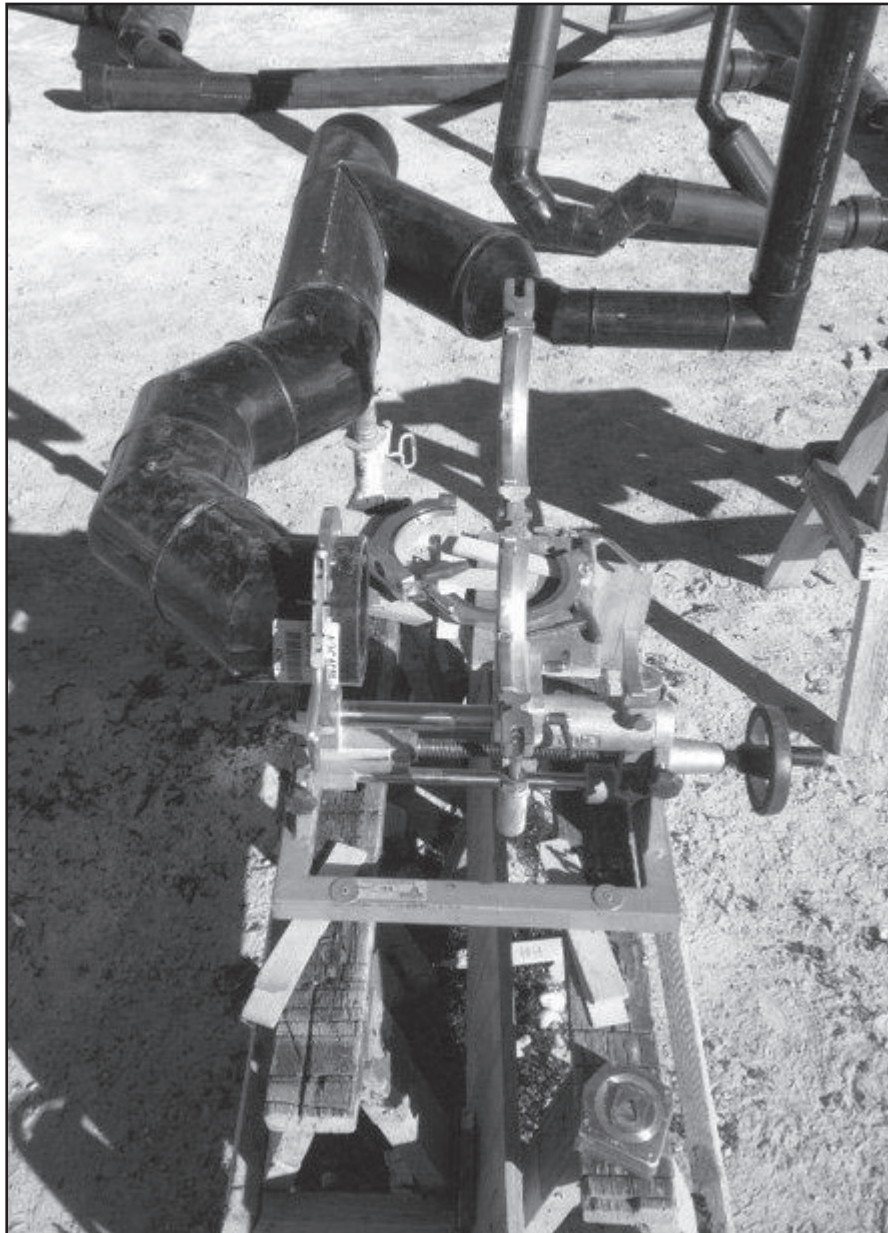
**LOW POINT LEAK DETECTION STATION WITH FLANGE RISER**

Size		Dimensions				SDR 11 X 33/ PN 10 x 3/ 150 X 45 PSI
mm	inches	L1	L2	L3	W	Part Number
32 x 90	1 x 3	11.500	24.000	36.000	9.750	584292134*
63 x 110	2 x 4	11.500	18.000	36.000	9.750	584292420
90 x 160	3 x 6	13.500	18.000	36.000	9.750	584292531
110 x 200	4 x 8	14.750	18.000	36.000	9.750	584292583
200 x 250	6 x 10	19.750	18.000	36.000	13.500	584292627
200 x 315	8 x 12	21.750	18.000	36.000	13.500	584292660
250 x 355	10 x 14	24.375	18.000	36.000	14.500	584292702
315 x 400	12 x 16	24.125	18.000	36.000	14.500	584292690

\*SDR 11 x 11.

# **Poly-Flo<sup>®</sup>**

## **Unitary Construction Double Wall Piping System**



Poly-Flo<sup>®</sup>



*Page intentionally left blank*

Poly-Flo®

# Poly-Flo®

## Co-Extruded Double Containment

### Chem Proline® Black PE Resin

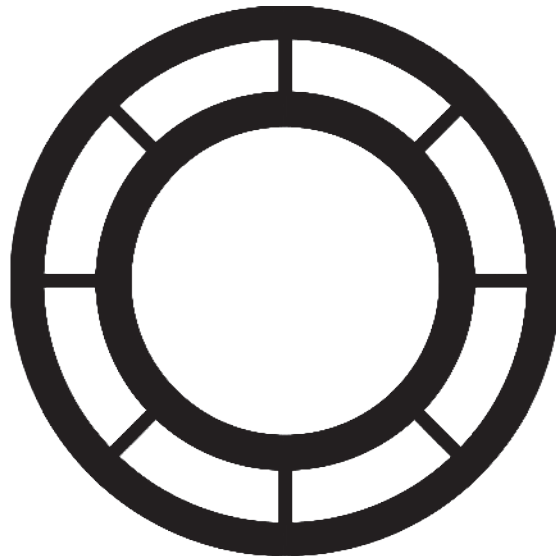
- Crack resistant proprietary resin formulation
- Excellent abrasion resistance

### Proline® Grey PP-R Resin

- Excellent weldability compared to PPh
- Wide temperature range from freezing to 200° F

### Ideal Applications

- Horizontal drilling or direct burial
- Compact installations
- Chemical distribution
- Overhead transport inside buildings



US Patent #4779652

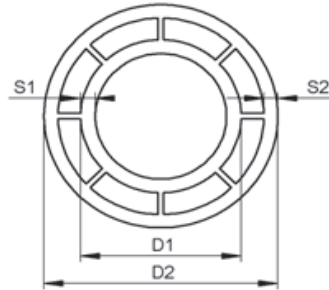
## Unitary Construction Double Containment

### Stock Sizes

(mm x mm) actual	(inch x inch) nominal
32 x 50	1 x 1½
63 x 90	2 x 3
110 x 160	4 x 6

Custom runs available.

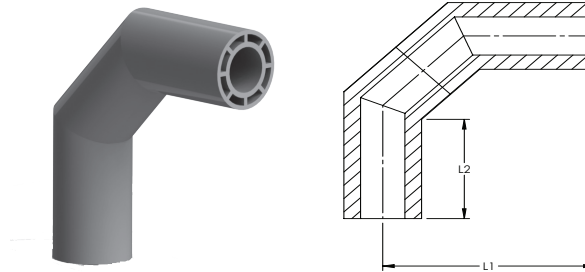
Poly-Flo®



**PIPE\*** 5 meter (16.4') lengths

Size		Dimensions								SDR 11 x 17 / 150 PSI	
mm	inch	D1		S1		D2		S2		Chem Proline® PE	Proline® PP-R
		mm	inch	mm	inch	mm	inch	mm	inch	Part Number	Part Number
32 x 50	1 x 1-½	32	1.26	3.0	0.118	50	1.97	3.0	0.118	587850211	507850211
63 x 90	2 x 3	63	2.48	5.8	0.228	90	3.54	5.4	0.213	587850338	507850338
110 x 160	4 x 6	110	4.33	10.0	0.304	160	6.30	9.5	0.374	587850532	507850532

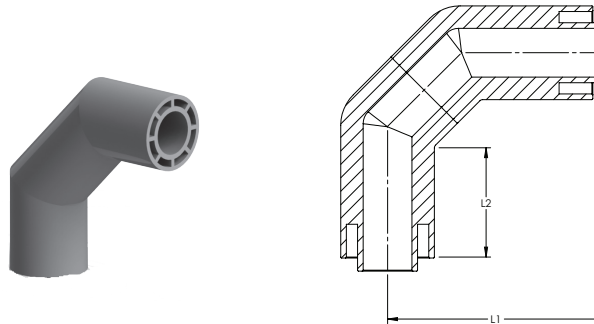
\*Pipe is sold in 5 meter lengths (16.4').



**90 DEGREE ELBOW FABRICATED (LONG)\***

Size		Dimensions				SDR 11 x 17 / 150 PSI	
mm	inch	L1		L2		Chem Proline® PE	Proline® PP-R
		mm	inch	mm	inch	Part Number	Part Number
32 x 50	1 x 1-½	168.36	3.63	69.9	2.75	587853211	507853211
63 x 90	2 x 3	196.57	7.38	76.2	3.00	587853338	507853338
110 x 160	4 x 6	257.20	10.13	108.0	4.25	587853532	507853532

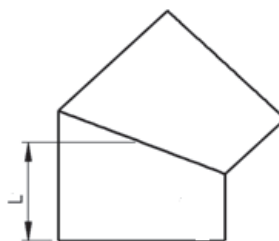
\*Ideal for drainage applications.



**90 DEGREE ELBOW FABRICATED (SHORT)\***

Size		Dimensions				SDR 11 x 17 / 150 PSI	
mm	inch	L1		L2		Chem Proline® PE	Proline® PP-R
		mm	inch	mm	inch	Part Number	Part Number
32 x 50	1 x 1-½	102	4	69.9	2.75	587868211	507868211
63 x 90	2 x 3	153	6	76.2	3.0	587868338	507868338
110 x 160	4 x 6	208.3	8.1	108.0	4.25	587868532	507868532

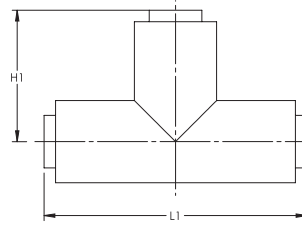
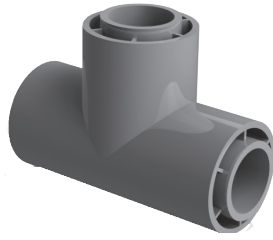
\*Ideal for pressure applications.



**45 DEGREE ELBOW - MOLDED**

Size		Dimensions		SDR 11 x 17 / 150 PSI	
mm	inch	L		Chem Proline® PE	Proline® PP-R
		mm	inch	Part Number	Part Number
32 x 50	1 x 1-½	70	2.76	587870211	507870211
63 x 90	2 x 3	77	3.03	587870338	507870338
110 x 160	4 x 6	107	4.21	587870532	507870532

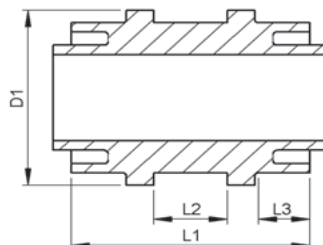
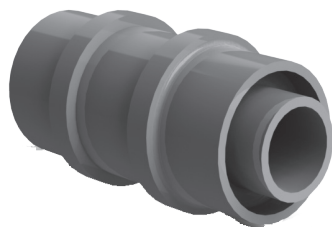
Poly-Flo®



**TEE - MOLDED**

Size		Dimensions				SDR 11 x 17 / 150 x 90 PSI	
mm	inch	L1	L1	H1	H1	Chem Proline® PE	Proline® PP-R
		mm	inch	mm	inch	Part Number	Part Number
32 x 50	1 x 1-½	146	5.75	73	2.87	587871211	507871211
63 x 90	2 x 3	200	7.87	100	3.94	587871338	507871338
110 x 160	4 x 6	381	15	191	7.50	587871532	507871532

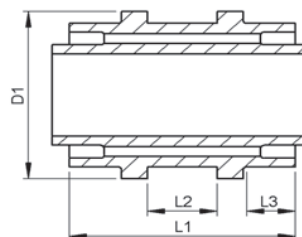
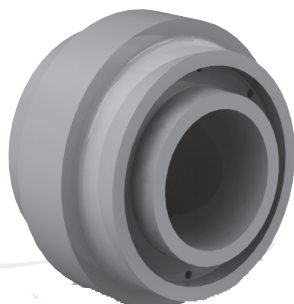




**RESTRAINT FITTING - SOLID**

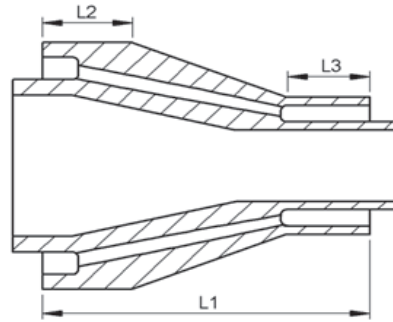
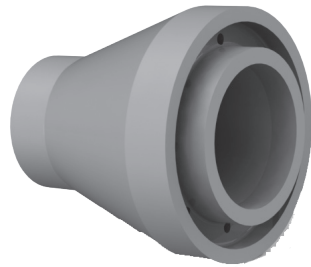
Size		Dimensions								SDR 11 x 17 / PN 10 / 150 PSI	
mm	inch	L1		L2		L3		D1		Chem Proline® PE	Proline® PP-R
		mm	inch	mm	inch	mm	inch	mm	inch	Part Number	Part Number
32 x 50	1 x 1-½	113	4 ¾	33	1 ¼	28	1	58	2 ¼	587859211	507859211
63 x 90	2 x 3	130	5	40	1 ½	28	1	105	4 ¼	587859338	507859338
110 x 160	4 x 6	160	6 ¼	40	1 ½	27	1	180	7	587859532	507859532

Poly-Flo®



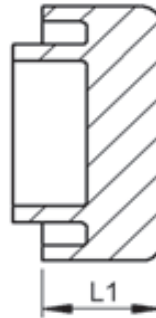
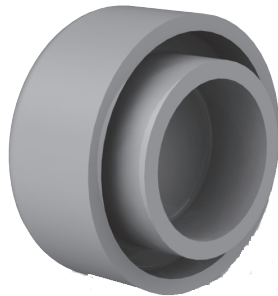
**RESTRAINT FITTING - FLOW-THROUGH**

Size		Dimensions								SDR 11 x 17 / PN 10 / 150 PSI	
mm	inch	L1		L2		L3		D1		Chem Proline® PE	Proline® PP-R
		mm	inch	mm	inch	mm	inch	mm	inch	Part Number	Part Number
32 x 50	1 x 1-½	113	4 ¾	33	1 ¼	28	1	58	2 ¼	587879211	507879211
63 x 90	2 x 3	130	5	40	1 ½	28	1	105	4 ¼	587879338	507879338
110 x 160	4 x 6	160	6 ¼	40	1 ½	27	1	180	7	587879532	507879532



### REDUCER - MACHINED

Size		Dimensions						SDR 11 x 17 / PN 10 / 150 PSI	
mm	inch	L1		L2		L3		Chem Proline® PE	Proline® PP-R
		mm	inch	mm	inch	mm	inch	Part Number	Part Number
32 x 50 - 63 x 90	1 x 1-½ - 2 x 3	110	4¼	30	1⅞	28	1	587865249	507865249
63 x 90 - 110 x 160	2 x 3 - 4 x 6	155	6	30	1⅞	30	1⅞	587865420	507865420

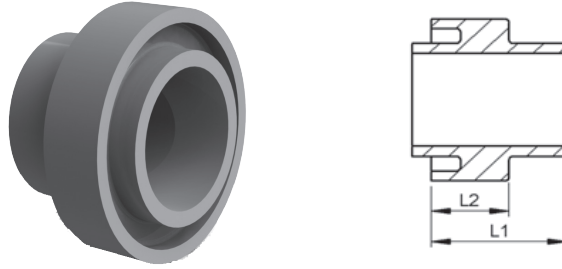


### END CAP - MACHINED

Size		Dimensions		SDR 11 x 17 / PN 10 / 150 PSI	
mm	inch	L		Chem Proline® PE	Proline® PP-R
		mm	inch	Part Number	Part Number
32 x 50	1 x 1-½	30	1-1/8	587873211	507873211
63 x 90	2 x 3	40	1-1/2	587873338	507873338
110 x 160	4 x 6	50	1-7/8	587873532	507873532



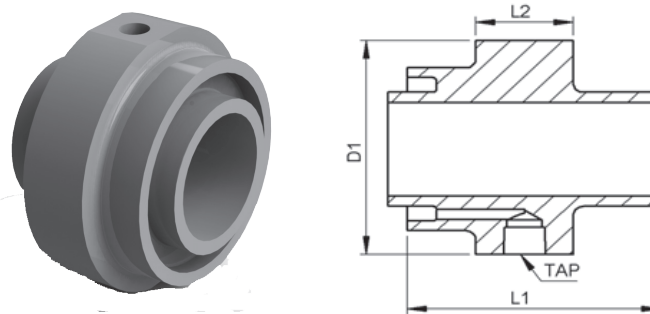




**END TERMINATION**

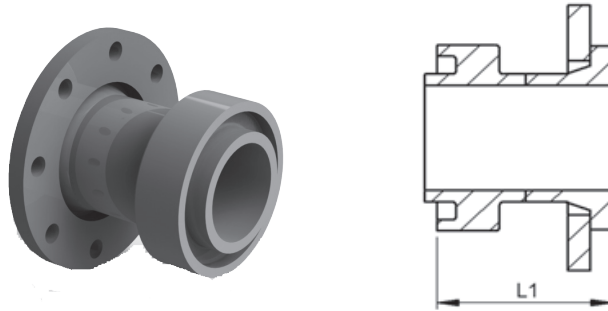
Size		Dimensions				SDR 11 x 17 / PN 10 / 150 PSI		
mm	inch	L1		L2		Chem Proline® PE	Proline® PP-R	
		mm	inch	mm	inch	Part Number	Part Number	
32 x 50	1 x 1-1/2	55	2 1/8	30	1 1/8	587855211	507855211	
63 x 90	2 x 3	70	2 3/4	40	1 1/2	587855338	507855338	
110 x 160	4 x 6	105	4 1/8	50	1 7/8	587855532	507855532	

Poly-Flo®



**END TERMINATION WITH ANNULAR TAP**

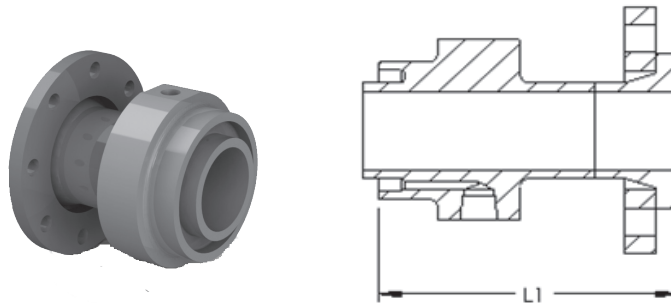
Size		Dimensions						SDR 11 x 17 / PN 10 / 150 PSI		
mm	inch	L1		L2		D1		Tap	Chem Proline® PE	Proline® PP-R
		mm	inch	mm	inch	mm	inch		Part Number	Part Number
32 x 50	1 x 1-1/2	130	5	50	1 7/8	80	3 1/8	1/2" NPT	587860211	507860211
63 x 90	2 x 3	130	5	50	1 7/8	120	4 5/8	1/2" NPT	587860338	507860338
110 x 160	4 x 6	130	5	50	1 7/8	190	7 3/8	1/2" NPT	587860532	507860532



**END TERMINATION - FLANGED (ANSI)**

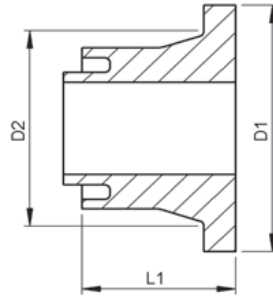
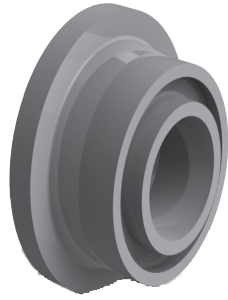
Size		Dimensions		SDR 11 x 17 / PN 10 / 150 PSI	
mm	inch	L		Chem Proline® PE	Proline® PP-R
		mm	inch	Part Number	Part Number
32 x 50	1 x 1-½	115	4-1/2	587856211	507856211
63 x 90	2 x 3	130	5	587856338	507856338
110 x 160	4 x 6	191	7-1/2	587856532	507856532

Poly-Flo®



**END TERMINATION FLANGED (ANSI) WITH ANNULAR TAP**

Size		Dimensions		SDR 11 x 17 / PN 10 / 150 PSI	
mm	inch	L1		Chem Proline® PE	Proline® PP-R
		mm	inch	Part Number	Part Number
32 x 50	1 x 1-½	190	7 <sup>3</sup> / <sub>8</sub>	587861211	507861211
63 x 90	2 x 3	190	7 <sup>3</sup> / <sub>8</sub>	587861338	507861338
110 x 160	4 x 6	216	8 <sup>1</sup> / <sub>2</sub>	587861532	507861532

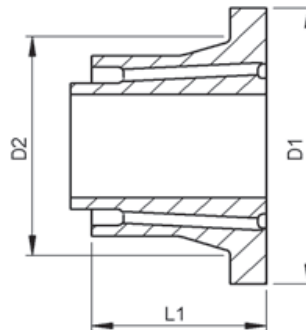
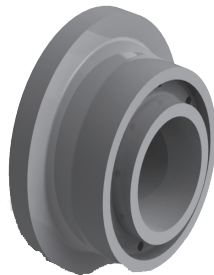


**STUB END\* - SOLID - CHAMFERED**

Size		Dimensions						SDR 11 x 17 / PN 10 / 150 PSI	
mm	inch	L1		L2		D1		Chem Proline® PE	Proline® PP-R
		mm	inch	mm	inch	mm	inch	Part Number	Part Number
32 x 50	1 x 1-½	55	2 ¼	88	3 ¾	61	2 ¾	587887211	507887211
63 x 90	2 x 3	82	3 ¼	138	5 ¾	105	4 ¼	587887338	507887338
110 x 160	4 x 6	94	3 ¾	212	8 ¼	175	6 ¾	587887532	507887532

\*Requires backing ring of containment (outer) pipe size. See page 292-294.

Poly-Flo®

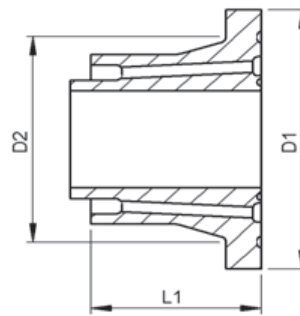
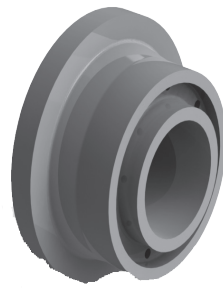


**STUB END\* - FLOW-THROUGH - FLAT FACE#**

Size		Dimensions						SDR 11 x 17 / PN 10 / 150 PSI	
mm	inch	L1		L2		D1		Chem Proline® PE	Proline® PP-R
		mm	inch	mm	inch	mm	inch	Part Number	Part Number
32 x 50	1 x 1-½	55	2 ¼	88	3 ¾	61	2 ¾	587875211	507875211
63 x 90	2 x 3	82	3 ¼	138	5 ¾	105	4 ¼	587875338	507875338
110 x 160	4 x 6	94	3 ¾	212	8 ¼	175	6 ¾	587875532	507875532

\*Requires backing ring of containment (outer) pipe size. See page 292-294.

# Only for use with mating O-ring flanges on following page.



### STUB END\* - FLOW-THROUGH - O-RING - FKM#

Size		Dimensions						SDR 11 x 17 / PN 10 / 150 PSI	
mm	inch	L1		L2		D1		Chem Proline® PE	Proline® PP-R
		mm	inch	mm	inch	mm	inch	Part Number	Part Number
32 x 50	1 x 1-½	55	2 ¼	88	3 ¾	61	2 ¾	587876211	507876211
63 x 90	2 x 3	82	3 ¼	138	5 ¾	105	4 ¼	587876338	507876338
110 x 160	4 x 6	94	3 ¾	212	8 ¼	175	6 ¾	587876532	507876532

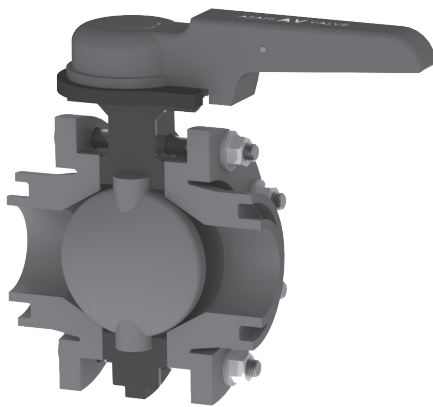
\*Requires backing ring of containment (outer) pipe size,. See page 292-294.  
 #For mating with flat face flange on page 238

### STUB END\* - FLOW-THROUGH - O-RING - EPDM#

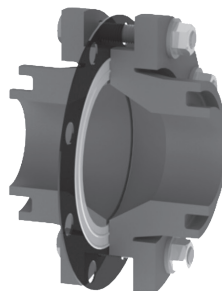
Size		Dimensions						SDR 11 x 17 / PN 10 / 150 PSI	
mm	inch	L1		L2		D1		Chem Proline® PE	Proline® PP-R
		mm	inch	mm	inch	mm	inch	Part Number	Part Number
32 x 50	1 x 1-½	55	2 ¼	88	3 ¾	61	2 ¾	587896211	507896211
63 x 90	2 x 3	82	3 ¼	138	5 ¾	105	4 ¼	587896338	507896338
110 x 160	4 x 6	94	3 ¾	212	8 ¼	175	6 ¾	587896532	507896532

\*Requires backing ring of containment (outer) pipe size,. See page 292-294.  
 For mating with flat face flange on page 238

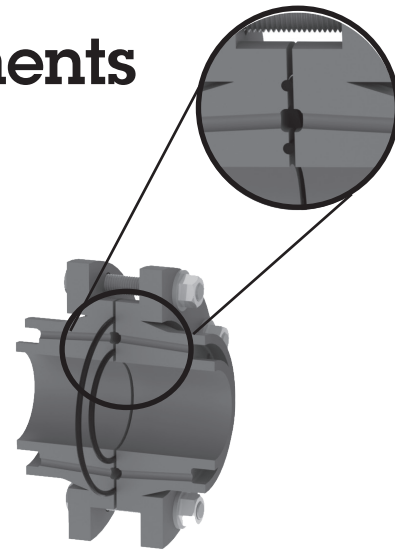
## Stub End Arrangements



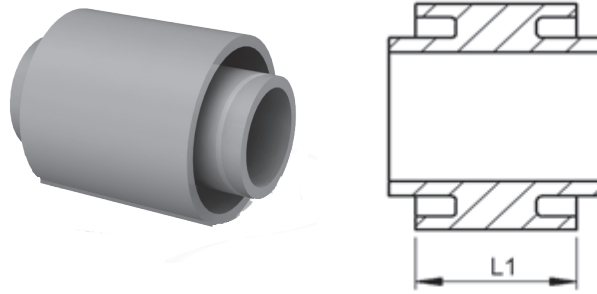
Chamfered Stub Ends  
for Butterfly Valve  
PN: 587887XXX



Solid Chamfered Stub Ends  
with AV Gasket  
PN: 587887XXX



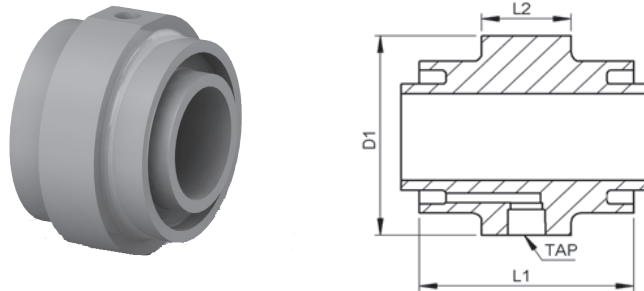
Flow-Through  
Stub Ends  
Left: O-Ring PN: 587876XXX  
Right: Flat Face PN: 587875XXX



**DOGBONE® - SOLID**

Size		Dimensions		SDR 11 x 17 / PN 10 / 150 PSI	
mm	inch	L1		Chem Proline® PE	Proline® PP-R
		mm	inch	Part Number	Part Number
32 x 50	1 x 1-1/2	50	1-7/8	587877211	507877211
63 x 90	2 x 3	60	2-1/4	587877338	507877338
110 x 160	4 x 6	80	3-1/8	587877532	507877532

Ideal for compartmentalizing system into zones.

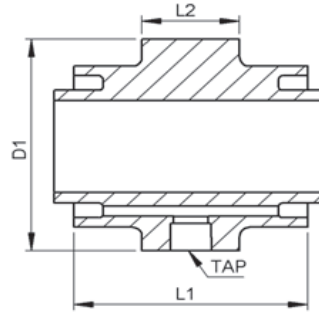
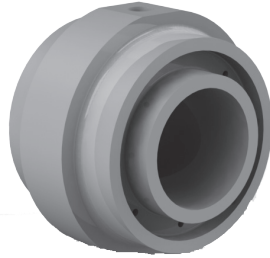


**DOGBONE® - COMPARTMENT WITH ANNULAR TAP**

Size		Dimensions							SDR 11 x 17 / PN 10 / 150 PSI	
mm	inch	L1		L2		L3		Tap	Chem Proline® PE	Proline® PP-R
		mm	inch	mm	inch	mm	inch		Part Number	Part Number
32 x 50	1 x 1-1/2	120	4%	50	1%	80	3%	1/2" NPT	587880211	507880211
63 x 90	2 x 3	120	4%	50	1%	120	4%	1/2" NPT	587880338	507880338
110 x 160	4 x 6	120	4%	50	1%	190	7%	1/2" NPT	587880532	507880532

Ideal for compartmentalized systems with annular tap to one side only.

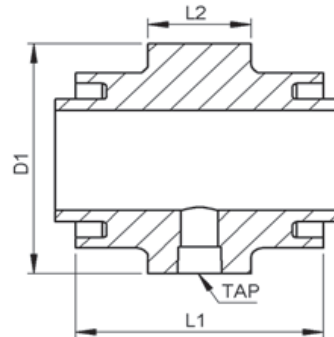
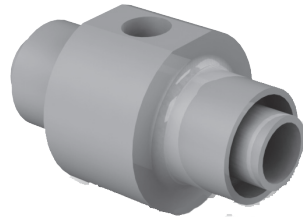
Poly-Flo®



**DOGBONE® - FLOW-THROUGH WITH ANNULAR TAP**

Size		Dimensions							SDR 11 x 17 / PN 10 / 150 PSI		
mm	inch	L1		L2		L3		Tap	Chem Proline® PE	Proline® PP-R	
		mm	inch	mm	inch	mm	inch		Part Number	Part Number	
32 x 50	1 x 1-½	120	4⅝	50	1⅞	80	3⅜	1/2" NPT	587878211	507878211	
63 x 90	2 x 3	120	4⅝	50	1⅞	120	4⅝	1/2" NPT	587878338	507878338	
110 x 160	4 x 6	120	4⅝	50	1⅞	190	7⅞	1/2" NPT	587878532	507878532	

Ideal for manual leak detection and testing of annular space.

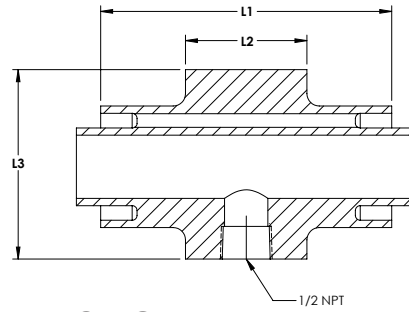
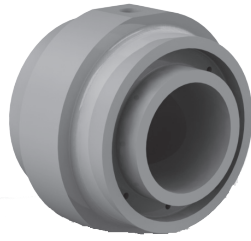


**DOGBONE® SOLID WITH CARRIER TAP**

Size		Dimensions							SDR 11 x 17 / PN 10 / 150 PSI		
mm	inch	L1		L2		L3		Tap	Chem Proline® PE	Proline® PP-R	
		mm	inch	mm	inch	mm	inch		Part Number	Part Number	
32 x 50	1 x 1-½	120	4⅝	50	1⅞	80	3⅜	1/2" NPT	587858211	507858211	
63 x 90	2 x 3	120	4⅝	50	1⅞	120	4⅝	1/2" NPT	587858338	507858338	
110 x 160	4 x 6	120	4⅝	50	1⅞	190	7⅞	1/2" NPT	587858532	507858532	

Ideal for primary pipe drain and vent that needs closing off of annular passage.



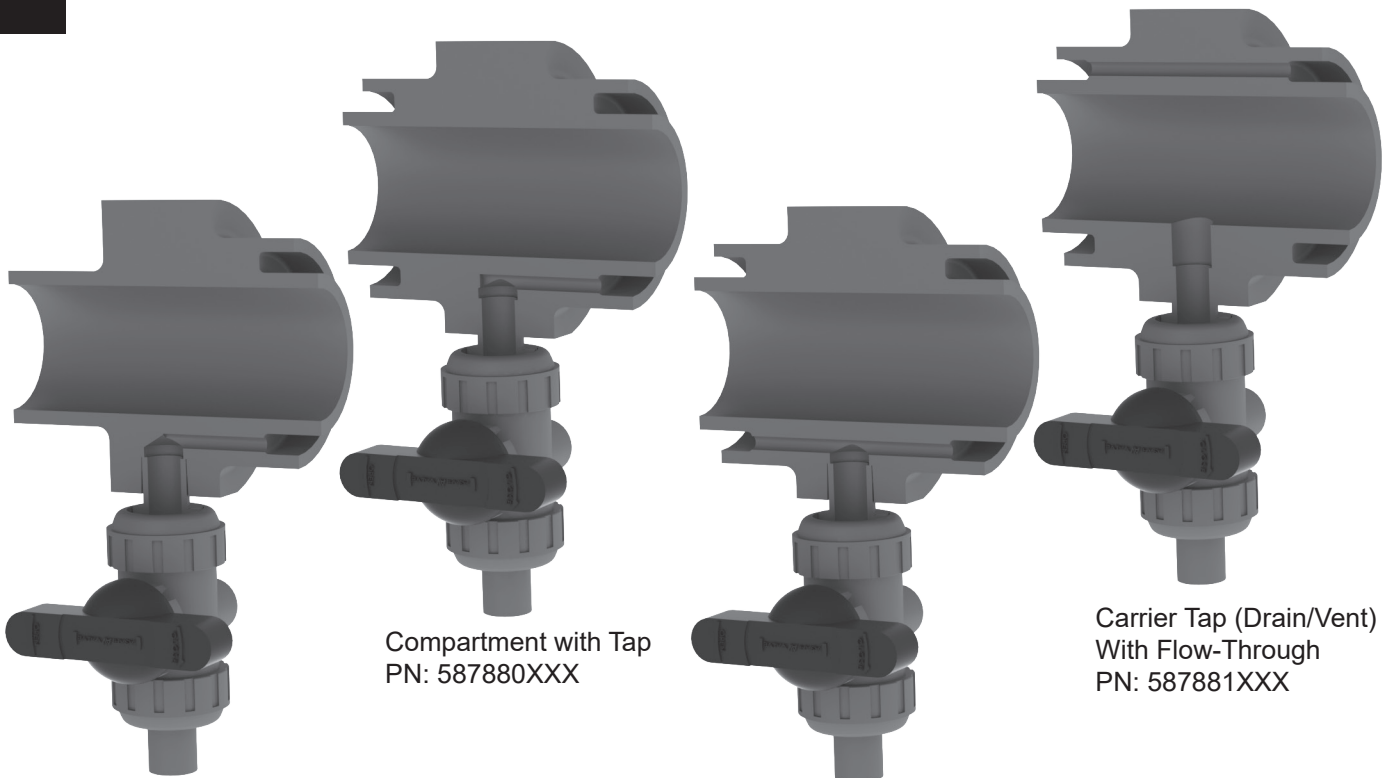


**DOGBONE® WITH CARRIER TAP FLOW-THROUGH**

Size		Dimensions						SDR 11 x 17 / PN 10 / 150 PSI		
mm	inch	L1		L2		L3		Tap	Chem Proline® PE	Proline® PP-R
		mm	inch	mm	inch	mm	inch		Part Number	Part Number
32 x 50	1 x 1-½	120	4%	50	1%	80	3%	1/2" NPT	587881211	507881211
63 x 90	2 x 3	120	4%	50	1%	120	4%	1/2" NPT	587881338	507881338
110 x 160	4 x 6	120	4%	50	1%	190	7%	1/2" NPT	587881532	507881532

Ideal for primary pipe drain and vent needs, while maintaining annular passage.

**Poly-Flo®**  
**Dogbone® Arrangements**

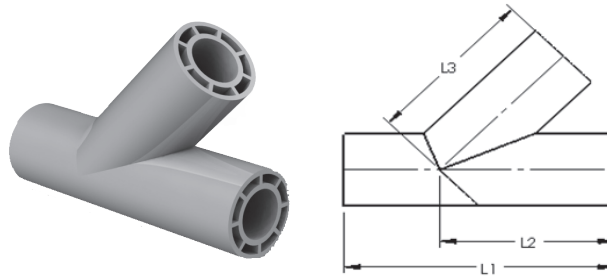


End Term with Tap  
PN: 587860XXX

Compartment with Tap  
PN: 587880XXX

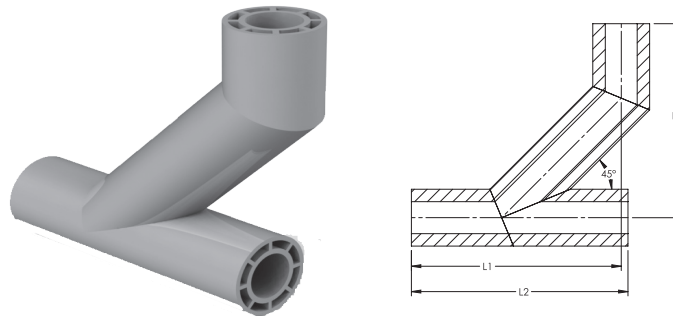
Flow-Through with Tap  
PN: 587878XXX

Carrier Tap (Drain/Vent)  
With Flow-Through  
PN: 587881XXX



**MITERED LATERAL**

Size		Dimensions						SDR 11 x 17 / MOP 5 PSI	
mm	inch	L1		L2		L3		Chem Proline® PE	Proline® PP-R
		mm	inch	mm	inch	mm	inch	Part Number	Part Number
63 x 90	2 x 3	400	15 <sup>5</sup> / <sub>8</sub>	250	9 <sup>3</sup> / <sub>4</sub>	250	9 <sup>3</sup> / <sub>4</sub>	587874338	507874338
110 x 160	4 x 6	550	21 <sup>5</sup> / <sub>8</sub>	355	13 <sup>7</sup> / <sub>8</sub>	355	13 <sup>7</sup> / <sub>8</sub>	587874532	507874532

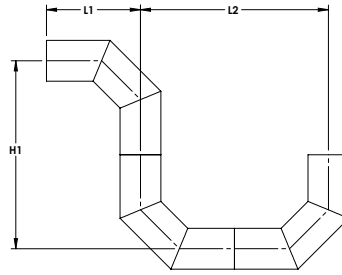
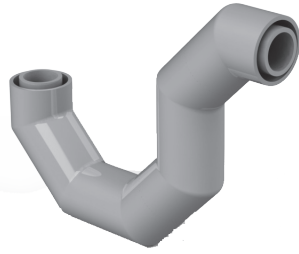


**LATERAL WITH 1/8 BEND (COMBO)**

Size		Dimensions						SDR 11 x 17 / MOP 5 PSI	
mm	inch	L1	L1	L2	L2	H1	H1	Chem Proline® PE	Proline® PP-R
		mm	inch	mm	inch	mm	inch	Part Number	Part Number
63 x 90	2 x 3	457	18	368	14.5	330	13	587888338	507888338
110 x 160	4 x 6	591	23.25	607	24	546	21.5	587888532	507888532

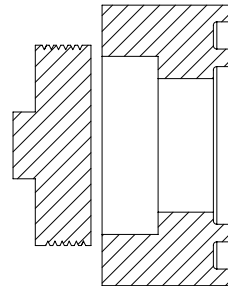
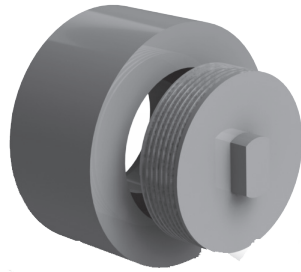






**P-TRAP - FABRICATED**

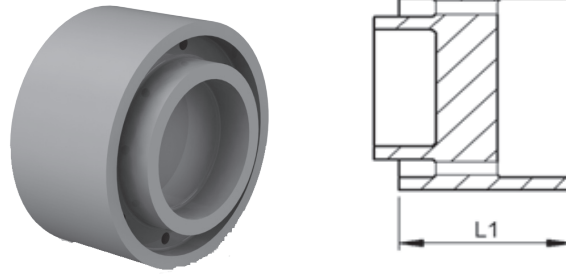
Size		Dimensions				SDR 11 x 17 / MOP 5 PSI	
mm	inch	L	L	H1	H1	Chem Proline® PE	Proline® PP-R
		mm	inch	mm	inch	Part Number	Part Number
63 x 90	2 x 3	737	29	493	19.4	587882338	507882338
110 x 160	4 x 6	1105	43.5	737	29	587882532	507882532



**CLEANOUT WITH PLUG**

Size		Dimensions			SDR 11 x 17 / MOP 5 PSI	
mm	inch	L1	L1	NPT	Chem Proline® PE	Proline® PP-R
		mm	inch	inch	Part Number	Part Number
32 x 50	1 x 1-½	76.2	3	1	587886211	507886211
63 x 90	2 x 3	76.2	3	2	587886338	507886338
110 x 160	4 x 6	76.2	3	4	587886532	507886532

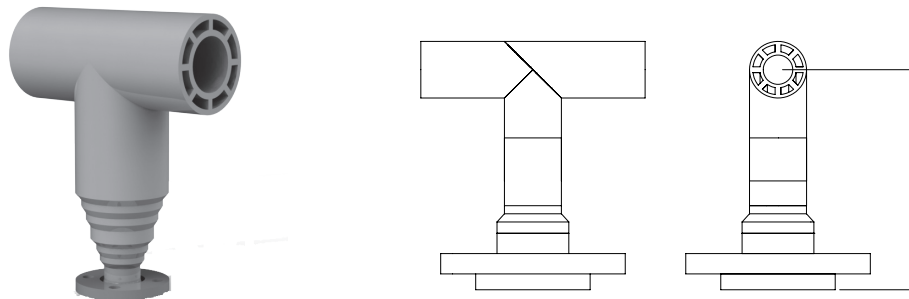
Poly-Flo®



**OUTER WALL ADAPTER\***

Size		Dimensions		SDR 11 x 17 / PN 10 / 150 PSI	
mm	inch	L		Chem Proline® PE	Proline® PP-R
		mm	inch	Part Number	Part Number
32 x 50	1 x 1-½	60	2¼	587857211	507857211
63 x 90	2 x 3	70	2¾	587857338	507857338
110 x 160	4 x 6	80	3⅞	587857532	507857532

\*Closes off primary pipe passage for leak detection.

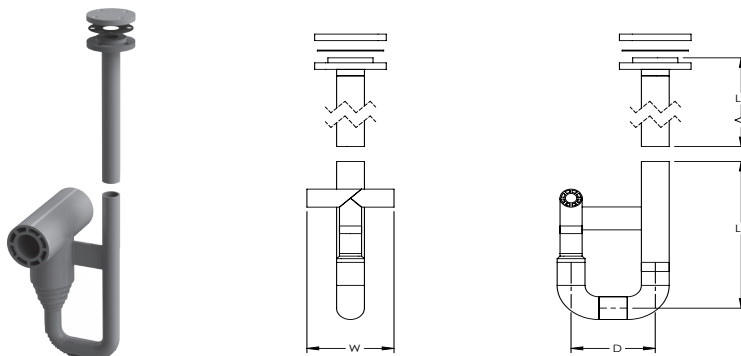


**OUTER WALL FLANGED ADAPTER\***

Size		Dimensions		SDR 11 x 17 / PN 10 / 150 PSI	
mm	inch	L		Chem Proline® PE	Proline® PP-R
		mm	inch	Part Number	Part Number
32 x 50	1 x 1-½	60	2¼	587867211	507867211
63 x 90	2 x 3	70	2¾	587867338	507867338
110 x 160	4 x 6	80	3⅞	587867532	507867532

\*For above ground leak detection needs, 2" ANSI 150# flange connection for all sizes.

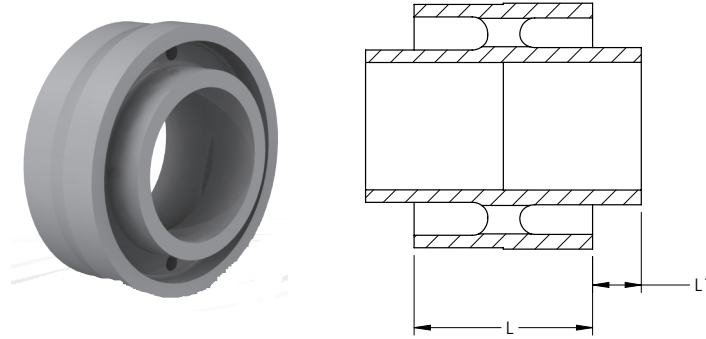




**LOW POINT LEAK DETECTION STATION\***

Size		Dimensions				SDR 11 x 17 / PN 10 / 150 PSI	
mm	inch	D	W	L1	L2	Chem Proline® PE	Proline® PP-R
		inch	inch	inch	inch	Part Number	Part Number
32 x 50	1 x 1-½	7.5	7.75	16	20	587866211	507866211
63 x 90	2 x 3	8	9.25	19	20	587866338	507866338
110 x 160	4 x 6	9	15	24	20	587866532	507866532

\*For below ground leak detection needs.



**POLY-FLO® TRANSITIONS - MACHINED\***

Size		Dimensions		SDR 11 x 17 / PN 10 / 100 PSI	
mm	inch	L	L1	Chem Proline® PE	Proline® PP-R
		inch	inch	Part Number	Part Number
32 x 50	1 x 1-½	1.4	0.39	587883211	507883211
63 x 90	2 x 3	1.68	0.39	587883338	507883338
110 x 160	4 x 6	2.22	0.39	587883532	507883532

\*Used to connect new Poly-Flo® to old Poly-Flo® systems.

**POLY-FLO® TRANSITIONS - MACHINED\***

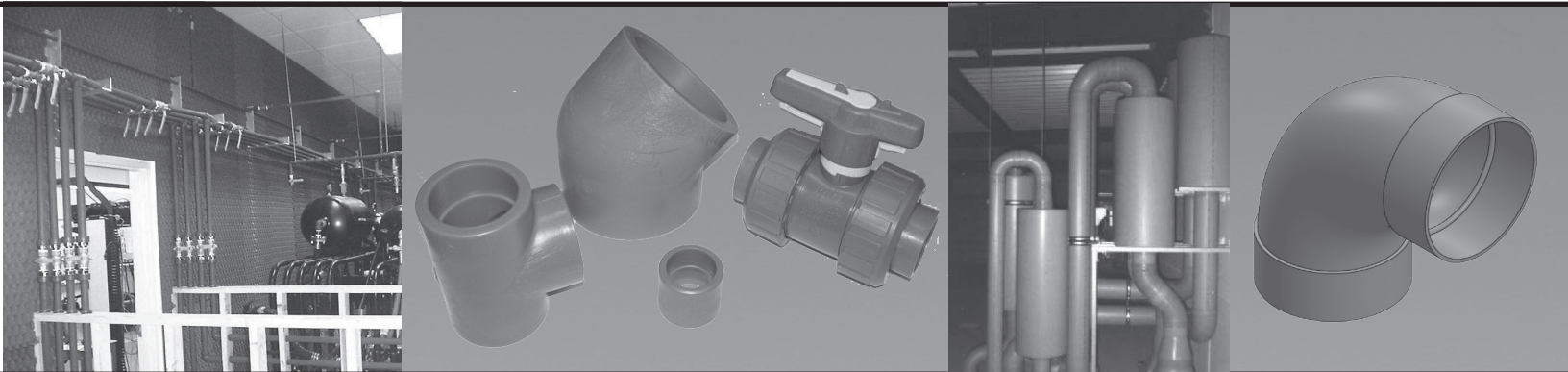
Size		Dimensions		SDR 11 x 17 / PN 10 / 100 PSI	
mm	inch	L	L1	Duo-Pro®	Chem Prolok®
		inch	inch	Part Number	Part Number
63 x 90	2 x 3	1.68	0.39	507843338	587843332
110 x 160	4 x 6	2.22	0.39	507843532	587843532

Page left blank intentionally

# Air Handling Piping Systems

**Air-Pro®**  
**ProVent®**

- Compressed Air System
- PP Vent Duct System



**Another  
Corrosion  
Problem  
Solved.™**



[www.asahi-america.com](http://www.asahi-america.com)



**Air-Pro®**

*Product Specification*..... Page 249

**SOCKET PIPE AND FITTINGS**

Pipe..... Page 250

90° Elbows..... Page 251

45° Elbows..... Page 252

Tees..... Page 253

Reducing Tee..... Page 254

Stub Ends..... Page 255

Coupling, End Cap..... Page 256

Concentric Reducer..... Page 257

Male, Female Adapter..... Page 258

**BUTT AND ELECTROFUSION PIPE AND FITTINGS**

Pipe, 90° Elbow..... Page 259

45° Elbow, Tee..... Page 260

Reducing Tee, Concentric Reducer..... Page 261

Stub End, Elongated End Cap..... Page 262

Tapping Saddle..... Page 263

Tapping Saddle with Valve..... Page 264

Gooseneck Faucet..... Page 265

Ball Valve..... Page 266

PE Ball Valve without and with Gear..... Page 267

**ProVent®**

Overview..... Page 268

Pipe..... Page 270

# Air-Pro®

Blue Polyethylene (PE)  
Compressed Air Piping System

REV:IN0512PE

Air-Pro®

**Materials:** ASTM D3350 cell classification PE346544C or better. Resin shall comply with FDA Code of Federal Regulators (CFR), Title 21, Chapter 1: Section 177.1520 determining suitability for contact with foodstuff.

Meets Cal/OSHA requirements for transport of compressed air

**Pipe Production:** Dimensions and tolerances shall exceed ISO 15494 requirement.

**Fitting Production:** Dimensions and tolerances shall exceed ISO 15494 requirement.

**Pressure Rating:** Components shall be pressure rated in accordance with ASTM D2837 and DIN 8077 for hydrostatic design basis. Components shall be manufactured to standard dimensional ratio (SDR) 7 & 11.

Based on continuous service life of 50 years at 68° F (20° C).

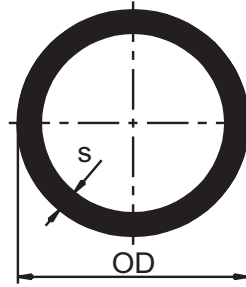
SDR7: 230psi (PN16)

SDR11: 150psi (PN10)

PN = Nominal pressure in bar.

**Joining:** Available methods shall be according to the schedule below  
DVS 2208-1 Socket: 1/2" (20mm) through 4" (110mm)  
DVS 2207-1 Contact Butt: 1/2" (20mm) through max product size



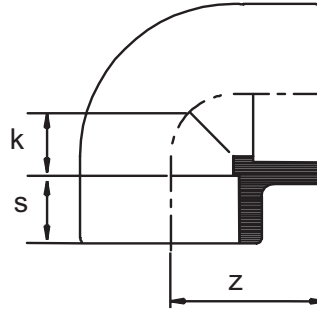


**PIPE\*** 5 meter (16.4') lengths

Size		Dimensions			SDR 7 / PN 16 / 230 PSI
mm	inch	OD	s	Weight (lb/lth)	Part Number
20	1/2	0.79	0.110	1.76	5802005
25	3/4	0.98	0.138	2.65	5802007
32	1	1.26	0.173	4.30	5802010
40	1-1/4	1.57	0.217	6.72	5802012
50	1-1/2	1.97	0.272	10.47	5802015
63	2	2.48	0.339	16.42	5802020
90	3	3.54	0.484	33.40	5802030
110	4	4.33	0.594	50.04	5802040

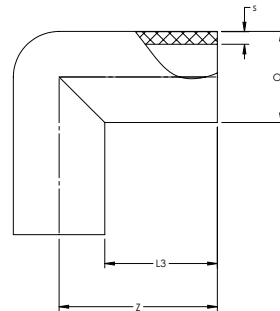
\*Sold in 5m (16.4') lengths only.

Air-Pro® systems 20-110mm are blue. SDR 7.4 and rated at 230psi.



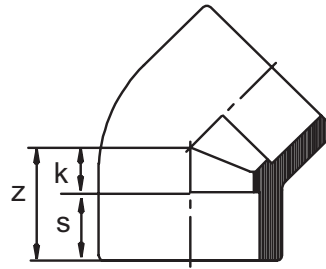
**90 DEGREE ELBOW**

Size		Dimensions			SDR 7 / PN 16 / 230 PSI
mm	inch	Z	s	k	Part Number
20	1/2	1.177	0.626	0.551	5805005
25	3/4	1.378	0.709	0.669	5805007
32	1	1.547	0.760	0.787	5805010
40	1-1/4	1.815	0.831	0.984	5805012
50	1-1/2	2.055	0.953	1.102	5805015
63	2	2.421	1.043	1.378	5805020
90	3	3.311	1.382	1.929	5805030
110	4	3.937	1.693	2.244	5805040



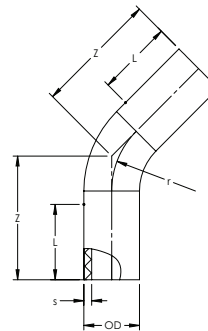
**90 DEGREE SWEEP ELBOW**

Size		Dimensions			Weight (lbs)	SDR 7.4 / PN 16 / 230 PSI
mm	inch	s	Z	L3	Part Number	
63	2	0.34	4.29	2.99	0.68	580501020
90	3	0.48	4.96	3.25	1.66	580501030
110	4	0.59	5.73	3.46	2.69	580501040



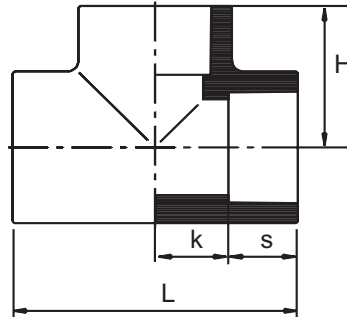
**45 DEGREE ELBOW**

Size		Dimensions			SDR 7 / PN 16 / 230 PSI
mm	inch	Z	s	k	Part Number
20	1/2	1.063	0.630	0.433	5808005
25	3/4	1.240	0.689	0.551	5808007
32	1	1.468	0.799	0.669	5808010
40	1-1/4	1.673	0.846	0.827	5808012
50	1-1/2	1.984	0.961	1.024	5808015
63	2	2.402	1.102	1.299	5808020
90	3	3.256	1.445	1.811	5808030
110	4	3.886	1.681	2.205	5808040



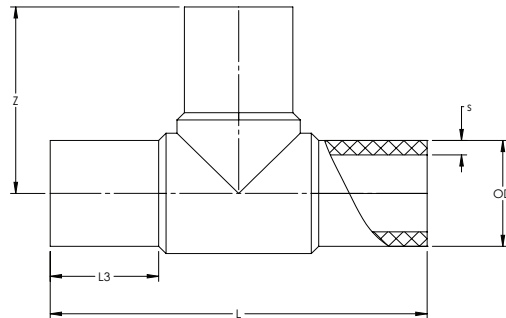
**45 DEGREE SWEEP ELBOW - BUTT**

Size		Dimensions				SDR 7.4 / PN 16 / 230 PSI	
mm	inch	s	z	r	L	Weight (lbs)	Part Number
63	2	0.34	6.69	3.74	3.94	1.10	580801020
90	3	0.48	8.66	5.31	5.91	2.87	580801030
110	4	0.59	9.45	6.50	5.91	4.85	580801040



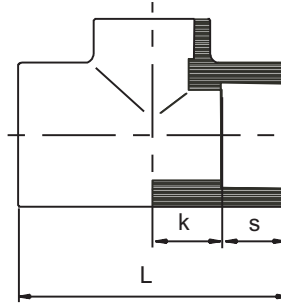
**TEE - SOCKET**

Size		Dimensions				SDR 7 / PN 16 / 230 PSI	
mm	inch	L	H	s	k	Part Number	
20	1/2	2.362	1.177	0.626	0.551	5820005	
25	3/4	2.756	1.378	0.748	0.630	5820007	
32	1	3.126	1.547	0.760	0.787	5820010	
40	1-1/4	3.701	1.831	0.846	0.984	5820012	
50	1-1/2	4.252	2.134	0.972	1.161	5820015	
63	2	4.933	2.461	1.142	1.319	5820020	
90	3	7.268	3.594	1.488	2.106	5820030	
110	4	8.150	4.075	1.654	2.421	5820040	



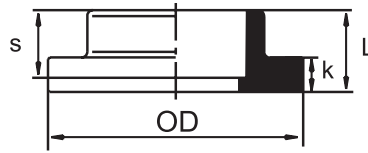
**TEE - BUTT**

Size		Dimensions				SDR 7.4 / PN 16 / 230 PSI	
mm	inch	s	z	L	L3	Weight (lbs)	Part Number
63	2	0.34	4.37	8.62	2.48	1.08	582001020
90	3	0.48	5.55	11.18	3.11	2.81	582001030
110	4	0.59	6.22	12.40	3.23	4.59	582001040



## REDUCING TEE

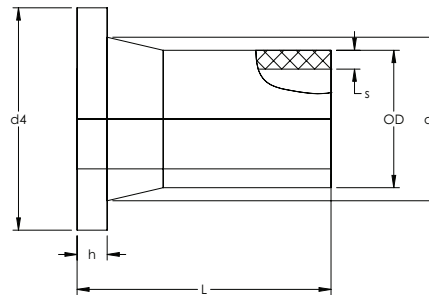
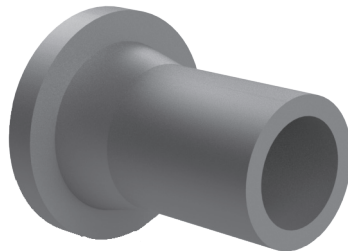
Size		Dimensions			SDR 7 / PN 16 / 230 PSI
mm	inch	L	s	k	Part Number
25 x 20	3/4 x 1/2	1.496	0.618	0.878	5824101
32 x 20	1 x 1/2	1.732	0.614	1.118	5824130
32 x 25	1 x 3/4	1.732	0.697	1.035	5824131
40 x 20	1-1/4 x 1/2	1.949	0.610	1.339	5824166
40 x 25	1-1/4 x 3/4	1.949	0.689	1.260	5824167
40 x 32	1-1/4 x 1	1.968	0.780	1.189	5824168
50 x 20	1-1/2 x 1/2	2.165	0.646	1.520	5824208
50 x 25	1-1/2 x 3/4	2.138	0.697	1.441	5824210
50 x 32	1-1/2 x 1	2.146	0.701	1.445	5824211
50 x 40	1-1/2 x 1-1/4	2.126	1.004	1.122	5824212
63 x 25	2 x 3/4	2.520	0.709	1.811	5824248
63 x 32	2 x 1	2.520	0.787	1.732	5824249
63 x 40	2 x 1-1/4	2.500	0.827	1.673	5824250
63 x 50	2 x 1-1/2	2.520	0.965	1.555	5824251



**STUB END\* (FLANGE ADAPTER)**

Size		Dimensions				SDR 7 / PN 16 / 230 PSI
mm	inch	L	OD	s	k	Part Number
20	1/2	0.827	1.772	0.630	0.382	5833005
25	3/4	0.906	2.283	0.669	0.374	5833007
32	1	0.984	2.677	0.748	0.382	5833010
40	1-1/4	1.043	3.071	0.866	0.433	5833012
50	1-1/2	1.181	3.465	0.941	0.472	5833015
63	2	1.319	4.016	1.083	0.543	5833020
90	3	1.654	5.433	1.358	0.630	5833030
110	4	1.890	6.220	1.614	0.736	5833040

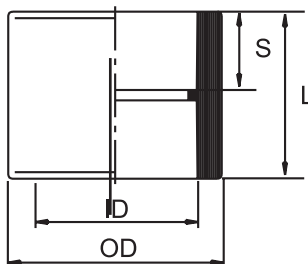
\*Requires backing ring. See page 282-284.



**STUB END\* (FLANGE ADAPTER) - BUTT**

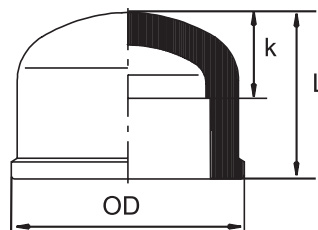
Size		Dimensions					SDR 7.4 / PN 16 / 230 PSI	
mm	inch	s	L	d3	d4	h	Weight (lbs)	Part Number
63	2	0.34	4.65	2.95	4.02	0.55	0.58	583301020
90	3	0.48	5.51	4.13	5.43	0.67	1.33	583301030
110	4	0.59	5.51	4.92	6.22	0.71	1.94	583301040

\*Requires backing ring. See page 282-284.



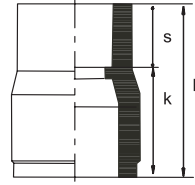
**COUPLING**

Size		Dimensions				SDR 7 / PN 16 / 230 PSI
mm	inch	L	OD	ID	S	Part Number
20	1/2	1.378	1.181	0.787	0.634	5816005
25	3/4	1.535	1.374	0.984	0.709	5816007
32	1	1.677	1.681	1.260	0.787	5816010
40	1-1/4	1.811	2.035	1.575	0.866	5816012
50	1-1/2	2.024	2.520	1.968	0.965	5816015
63	2	2.335	3.169	2.480	1.110	5816020
90	3	3.059	4.496	3.543	1.378	5816030
110	4	3.543	5.244	4.331	1.681	5816040



**END CAP**

Size		Dimensions			SDR 7 / PN 16 / 230 PSI
mm	inch	OD	L	k	Part Number
20	1/2	1.280	1.063	0.445	5812005
25	3/4	1.484	1.201	0.587	5812007
32	1	1.831	1.358	0.661	5812010
40	1-1/4	2.283	1.496	0.886	5812012
50	1-1/2	2.756	1.850	1.161	5812015
63	2	3.406	2.362	1.583	5812020
90	3	4.685	3.150	2.504	5812030
110	4	5.512	3.701	3.004	5812040

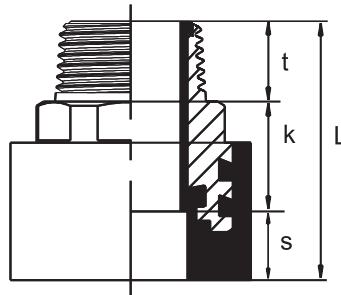


## CONCENTRIC REDUCER

Size		Dimensions			SDR 7 / PN 16 / 230 PSI
mm	inch	L	s	k	Part Number
25 x 20	3/4 x 1/2	1.496	0.618	0.878	5829101
32 x 20	1 x 1/2	1.732	0.614	1.118	5829130
32 x 25	1 x 3/4	1.732	0.697	1.035	5829131
40 x 20	1-1/4 x 1/2	1.949	0.61	1.339	5829166
40 x 25	1-1/4 x 3/4	1.949	0.689	1.260	5829167
40 x 32	1-1/4 x 1	1.968	0.78	1.189	5829168
50 x 20	1-1/2 x 1/2	2.165	0.646	1.52	5829208
50 x 25	1-1/2 x 3/4	2.138	0.697	1.441	5829210
50 x 32	1-1/2 x 1	2.146	0.701	1.445	5829211
50 x 40	1-1/2 x 1-1/4	2.126	1.004	1.122	5829212
63 x 25	2 x 3/4	2.520	0.709	1.811	5829248
63 x 32	2 x 1	2.520	0.787	1.732	5829249
63 x 40	2 x 1-1/4	2.500	0.827	1.673	5829250
63 x 50	2 x 1-1/2	2.520	0.965	1.555	5829251
90 x 63	3 x 2	3.366	1.1902	2.264	5829338
110 x 63	4 x 2	3.465	1.122	2.343	5829420
110 x 90	4 x 3	3.445	1.476	1.968	5829422

Large dimension is spigot end, small dimension is socket.

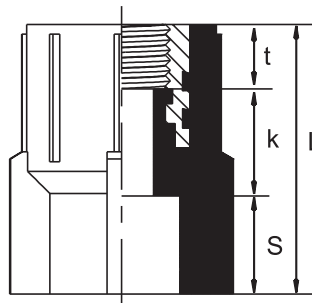




**MALE ADAPTER**

Size		Dimensions				SDR 7 / PN 16 / 230 PSI
mm	inch	L	s	k	t	Part Number
20	1/2	2.244	0.591	1.043	0.610	5859005
25	3/4	2.402	0.669	1.102	0.669	5859007
32	1	2.598	0.709	1.181	0.709	5859010
40	1-1/4	2.795	0.827	1.142	0.827	5859012
50	1-1/2	3.031	0.945	1.142	0.945	5859015
63	2	3.268	1.083	1.102	1.083	5859020

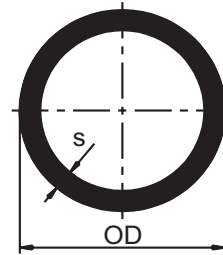
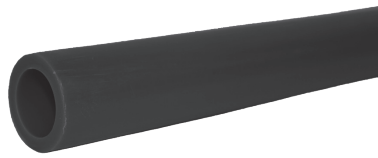
Nickle plated brass threads.



**FEMALE ADAPTER**

Size		Dimensions				SDR 7 / PN 16 / 230 PSI
mm	inch	L	S	k	t	Part Number
20	1/2	1.598	0.62	0.386	0.591	5853005
25	3/4	1.606	0.62	0.386	0.709	5853007
32	1	1.850	0.71	0.386	0.787	5853010
40	1-1/4	1.949	0.79	0.386	0.827	5853012
50	1-1/2	2.268	0.91	0.386	1.004	5853015
63	2	2.567	1.04	0.386	1.142	5853020

Nickel-plated brass threads

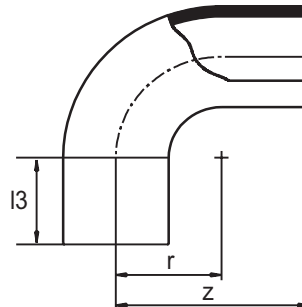


**PIPE\*** 5 meter (16.4') lengths

Size		Dimensions			SDR 11 / PN 10 / 150 PSI
mm	inch	OD	s	Weight (lb/ft)	Part Number
160	6	6.30	0.575	4.48	5803060
200	8	7.87	0.717	6.99	5803080
250	10	9.84	0.894	10.89	5803100
315	12	12.40	1.126	17.21	5803120

\*Sold in 5m (16.4') lengths only.

Air-Pro® systems 160-315mm are black, SDR 11 and rated at 150psi.



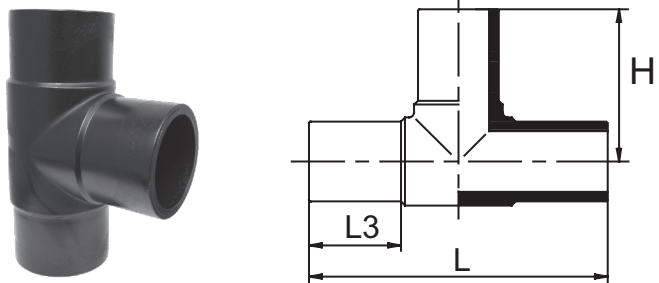
**90 DEGREE ELBOW**

Size		Dimensions			SDR 11 / PN 10 / 150 PSI
mm	inch	z	r	l3	Part Number
160	6	12.638	6.535	6.102	5811060
200	8	14.882	8.189	6.693	5811080
250	10	17.323	10.039	7.677	5811100
315	12	21.260	12.480	8.661	5811120



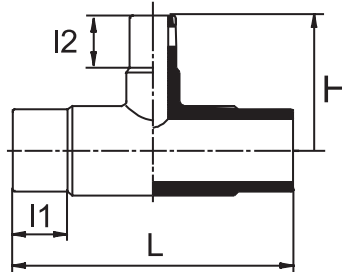
**45 DEGREE ELBOW**

Size		Dimensions		SDR 11 / PN 10 / 150 PSI
mm	inch	z	L	Part Number
160	6	6.161	4.587	5809060
200	8	6.772	4.803	5809080
250	10	8.543	6.220	5809100
315	12	9.882	6.968	5809120



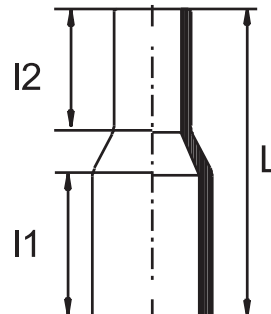
**TEE**

Size		Dimensions			SDR 11 / PN 10 / 150 PSI
mm	inch	L	H	L3	Part Number
160	6	16.063	7.972	3.937	5823060
200	8	21.653	10.827	5.315	5823080
250	10	24.488	12.205	5.827	5823100
315	12	29.646	14.764	6.693	5823120



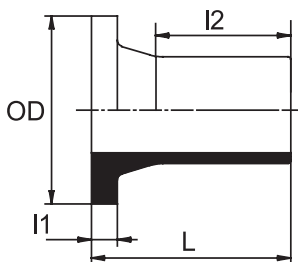
**REDUCING TEE**

Size		Dimensions				SDR 11 / PN 10 / 150 PSI
mm	inch	L	H	I1	I2	Part Number
160 x 63	6 x 2	13.396	6.752	3.917	2.598	5825530
160 x 90	6 x 3	13.504	6.968	3.976	3.150	5825531
160 x 110	6 x 4	11.417	7.618	3.858	3.268	5825532
200 x 63	8 X 2	21.653	8.860	5.276	3.150	5825581
200 x 90	8 X 3	21.653	8.860	5.276	3.740	5825582
200 x 110	8 x 4	21.653	9.449	5.276	4.055	5825583
200 x 160	8 x 6	21.653	10.433	5.276	4.488	5825585
250 x 110	10 x 4	24.803	9.764	5.827	3.386	5825626
250 x 160	10 x 6	24.803	10.551	5.827	3.937	5825627
250 x 200	10 x 8	24.803	11.417	5.827	4.567	5825628
315 x 110	12 x 4	21.496	11.417	6.693	3.937	5825658
315 x 200	12 x 8	22.638	12.205	6.693	4.724	5825660
315 x 250	12 x 10	26.378	13.110	6.693	5.905	5825673



**CONCENTRIC REDUCER**

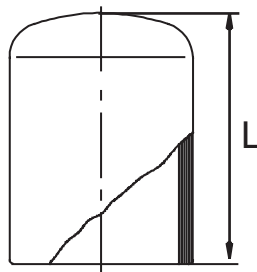
Size		Dimensions			SDR 11 / PN 10 / 150 PSI
mm	inch	L	I1	I2	Part Number
160 x 110	6 x 4	8.740	3.858	3.465	5831532
200 x 110	8 x 6	9.921	4.409	4.016	5831585
200 x 160	10 x 6	12.362	6.102	4.449	5831627
315 x 110	10 x 8	12.362	6.102	4.921	5831628
315 x 200	12 x 8	14.764	7.047	5.236	5831660
315 x 250	12 x 10	14.764	6.693	6.102	5831673



**STUB END\* (FLANGE ADAPTER)**

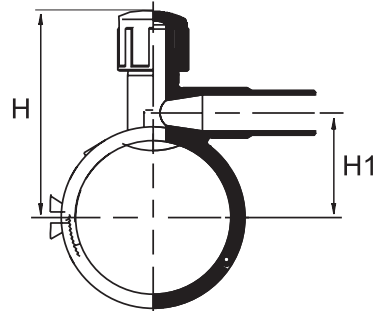
Size		Dimensions				SDR 11 / PN 10 / 150 PSI
mm	inch	OD	L	I1	I2	Part Number
160	6	8.346	7.146	0.984	4.980	5832060
200	8	10.551	7.146	1.260	4.626	5832080
250	10	12.598	10.827	1.378	7.953	5832100
315	12	14.567	15.039	1.378	11.890	5832120

\*Requires backing ring. See page 282-284.



**ELONGATED END CAP**

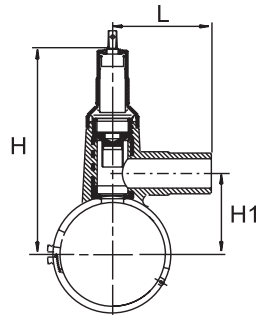
Size		Dimensions	SDR 11 / PN 10 / 150 PSI
mm	inch	L	Part Number
160	6	6.594	5813060
200	8	7.146	5813080
250	10	9.055	5813100
315	12	10.315	5813120



## ELECTROFUSION TAPPING SADDLE

Size		Dimensions		SDR 11 / PN 10 / 150 PSI
mm	inch	H	H1	Part Number
63 x 20	2 X 1/2	6.673	2.352	5839246
63 x 32	2 x 1	6.673	2.244	5839249
63 x 40	2 X 1-1/4	6.673	2.303	5839250
63 x 63	2 X 2	6.673	2.362	5839020
90 x 32	3 x 1	5.433	2.559	5839336
90 x 63	3 x 2	6.142	2.559	5839338
110 x 20	4 X 1/2	8.130	2.992	5839399
110 x 32	4 x 1	8.130	2.992	5839401
110 x 40	4 X 1-1/4	8.130	2.992	5839412
110 x 63	4 x 2	8.130	3.248	5839420
160 x 20	6 X 1/2	9.114	3.878	5839512
160 x 32	6 x 1	9.114	3.898	5839516
160 x 40	6 X 1-1/4	9.114	4.075	5839519
160 x 63	6 x 2	9.114	4.134	5839530
200 x 63	8 X 2	9.902	4.803	5839581
250 x 63	10 X 2	11.693	5.945	5839624
315 x 63	12 X 2	13.405	7.146	5839656

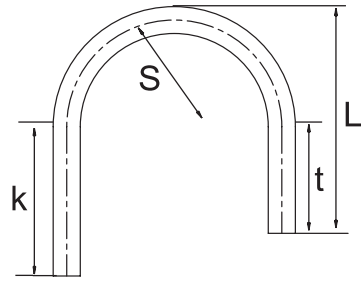
Air-Pro® pipe electrofusion saddles are rated at 150psi.  
Requires use of Polymatic electrofusion welding machine.



### TAPPING SADDLE WITH VALVE

Size		Dimensions			SDR 11 / PN 10 / 150 PSI
mm	inch	L	H	H1	Part Number
63 x 32	2 x 1	5.157	7.657	2.571	5838249
63 x 40	2 X 1-1/4	5.512	7.657	2.571	5838250
63 x 50	2 X 1-1/2	6.319	7.657	2.571	5838251
63 x 63	2 X 2	7.362	7.657	2.571	5838020
90 x 32	3 x 1	5.315	9.764	3.110	5838336
90 x 40	3 x 1-1/4	5.709	9.764	3.110	5838335
90 x 50	3 X 1-1/2	6.339	9.764	3.110	5838337
90 x 63	3 X 2	7.559	9.764	3.110	5838338
110 x 32	4 x 1	5.394	10.118	3.425	5838401
110 x 40	4 X 1-1/4	5.787	10.157	3.425	5838412
110 x 50	4 X 1-1/2	6.299	10.157	3.425	5838415
110 x 63	4 x 2	7.583	10.157	3.425	5838420
160 x 32	6 x 1	5.394	11.142	4.071	5838516
160 x 40	6 X 1-1/4	5.787	11.142	4.457	5838519
160 x 50	6 X 1-1/2	6.339	11.142	4.457	5838523
160 x 63	6 x 2	7.441	11.142	4.457	5838530
200 x 32	8 X 1	5.394	11.929	5.276	5838571
200 x 40	8 X 1-1/4	5.748	11.929	5.276	5838565
200 x 50	8 X 1-1/2	6.260	11.929	5.276	5838580
200 x 63	8 X 2	7.520	11.929	5.276	5838581
250 x 63	12 X 2	7.559	14.193	8.016	5838656

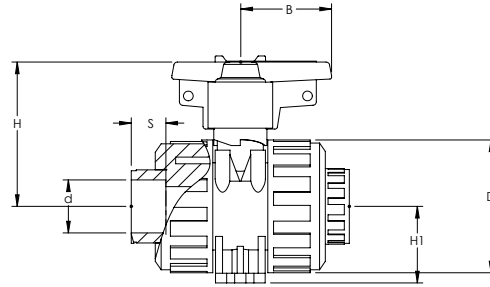
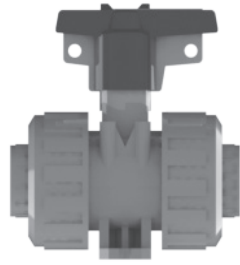
Air-Pro® pipe electrofusion saddles are rated at 150psi.  
Requires use of Polymatic electrofusion welding machine.



**SPIGOT GOOSENECK FAUCET**

Size		Dimensions				SDR 7 / PN 16 / 230 PSI
mm	inch	L	S	k	t	Part Number
20	1/2	10	5	7	5	5835005
25	3/4	9	5	7	4	5835007
32	1	10	5	7	5	5835010

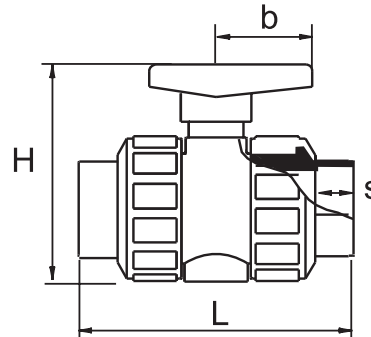




**BALL VALVE - NEW M1 STYLE w/ Mounting Pads\***

Size		Dimensions				Weight Lbs	SDR 7 / PN 16 / 230 PSI
mm	inch	L	b	H	H1		Part Number
20	1/2	3.88	1.57	2.93	1.30	.35	580117005
25	3/4	4.45	2.03	3.27	1.57	.53	580117007
32	1	4.84	2.03	3.37	1.71	.66	580117010
40	1-1/4	5.55	2.52	4.11	2.01	1.06	580117012
50	1-1/2	6.50	2.87	4.45	2.22	1.68	580117015
63	2	7.66	3.34	4.78	2.54	2.49	580117020

\* Available after original style is depleted.

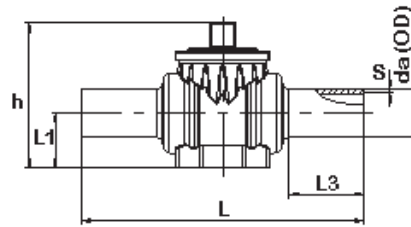


**BALL VALVE - ORIGINAL STYLE  
( BEING DISCONTINUED\*)**

Size		Dimensions				SDR 7 / PN 16 / 230 PSI
mm	inch	L	H	b	S	Part Number
25	3/4	4.370	2.126	2.165	0.630	5801007
40	1-1/4	5.433	3.031	2.559	0.807	5801012
90	3	11.22	6.47	5.20	1.538	5801030

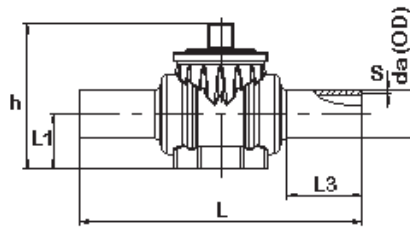
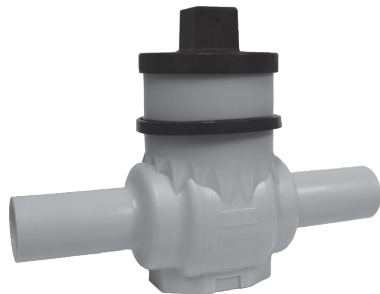
\*While supplies last.

Air-Pro® ball valves sizes 20-63mm are rated 230psi.



**PE BALL VALVE WITHOUT GEAR**

Size		Dimensions					SDR 11 / PN 10 / 160 PSI	
mm	inch	L	L1	L3	h	S	Part Number	
32	1	11.26	1.81	3.15	5.91	0.118	5881010	
50	1-1/2	12.91	2.45	3.74	7.87	0.181	5881015	
63	2	16.14	3.03	4.53	8.86	0.228	5881020	
90	3	20.51	3.94	5.32	10.83	0.323	5881030	
110	4	23.43	4.80	5.91	12.28	0.394	5881040	



**PE BALL VALVE WITH GEAR\***

Size		Dimensions					SDR 11 / PN 10 / 160 PSI	
mm	inch	L	L1	L3	h	S	Part Number	
63	2	16.14	3.03	4.53	8.86	0.228	5884020	
90	3	20.51	3.94	5.32	10.83	0.323	5884030	
110	4	23.43	4.80	5.91	12.28	0.394	5884040	
160	6	33.35	6.50	8.86	19.61	0.575	5884060	

# ProVent®

ProVent®  
System

### System Benefits

Lightweight materials

- Corrosion resistant
- Chemically inert
- Quick installation
- Multiple installation methods
  - Butt fusion
  - Slip socket with extrusion weld

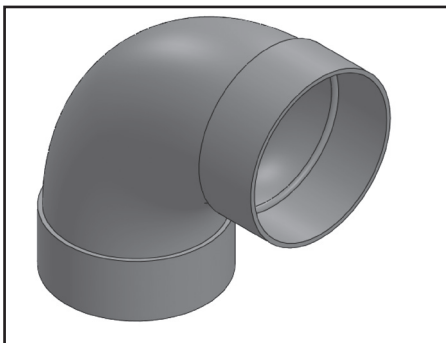
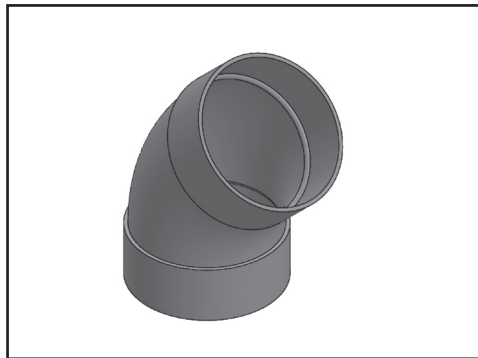
### Ideal Applications

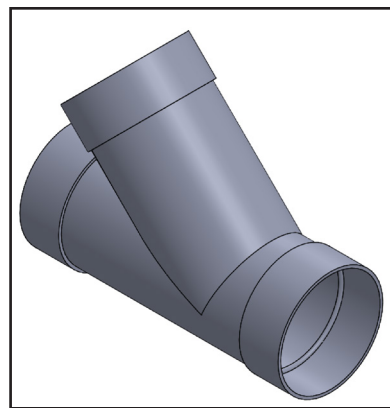
- University laboratories
- Semiconductor manufacturing

### Product Range

- Extruded pipe
- Molded bell fittings
- Molded valves and dampers
- Transition fittings

Contact Asahi/America (800) 343-3618 to get a copy of the complete ProVent® list price book and dimensional guide.





Ventilation & Exhaust Systems	
PP	110-1400mm (6"-54")
PPs	160-1200mm (6"-48")
PPs-el	110-400mm (4-16")
PE	110-1400mm (6"-54")
PVDF	110-400mm (4-16")

**Material Properties**

			PP	PPs	PPs-el	PE	PVDF
Specific density at 23°C	ISO 1183	g/cm <sup>3</sup>	0.91	0.93	1.13	0.96	1.78
MFR 190/5	ISO 1133	g/10min	0.5	0.8	0.6	0.9	6
MFR 190/2.16						<0.10	
Tensile stress at yield	ISO 527	MPa	30	30	30	25	50
Elongation at yield	ISO 527	%	10	10	10	9	9
Elongation at break	ISO 527	%	>300	>50	43	>600	80
Impact strength notched at +23°C	ISO 179	kJ/m <sup>2</sup>	8	9	9.5	16	11
Impact strength notched at 0°C			2.8	2.8	n/a	n/a	
Impact strength notched at -30°C			2.2	2.2	2.3	6	
Modulus of elasticity	ISO 527	MPa	1300	1300	n/a	1100	2000
Vicat-Softening point VST/B/50	ISO 306	°C	91	85	133	77	140
Heat deflection temperature HDT/B	ISO 75	°C	96	85	47	75	145
Linear coefficient of thermal expansion	DIN 53752	K <sup>-1</sup> x 10 <sup>-4</sup>	1.6	1.6	n/a	1.8	1.2
Thermal conductivity at 20 °C	DIN 52612	W/(m x K)	0.22	0,2	n/a	0.4	0.2
Flammability	UL94	--	94-HB	V-2	V-0	94-HB	V-0
	DIN 4102	--	B2	B1		B2	
Specific volume resistance	VDE 0303	OHM cm	>10 <sup>16</sup>	>10 <sup>15</sup>	>10 <sup>8</sup>	>10 <sup>16</sup>	>10 <sup>13</sup>
Specific surface resistance	VDE 0303	OHM	>10 <sup>13</sup>	>10 <sup>15</sup>	>10 <sup>6</sup>	>10 <sup>13</sup>	>10 <sup>12</sup>
Physiologically non-toxic	EEC 90/128	--	Yes	Yes	No	Yes	Yes
FDA	--	--	Yes	No	No	Yes	Yes
UV stabilized	--	--	No	No	Yes	Yes	Yes
Color	--	--	Grey	Grey	Black	Black	Natural

Please see our ProVent® list price book for our complete offering of fittings and accessories.

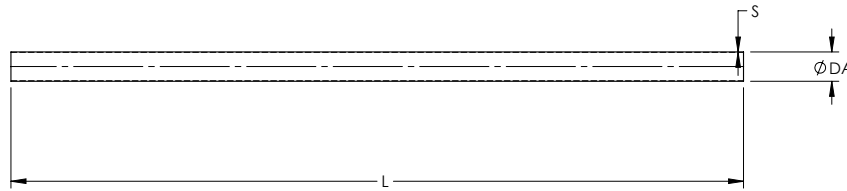
ProVent®  
System

**PIPE\*** 5 meter (16.4') lengths

in	mm	PP	PPs	PPsEI	PE	PVDF
		Part Number	Part Number	Part Number	Part Number	Part Number
2	63	1277010002	1777010002	-	-	3077010002
2-1/2	75	-	-	-	-	3077010025
3	90	1277010003	1777010003	1977010003	2577010003	3077010003
4	110	1277010004	1777010004	1977010004	2577010004	3077010004
5	140	1277010005	1777010005	-	2577010005	-
6	160	1277010006	1777010006	1977010006	2577010006	3077010006
7	180	1277010007	1777010007	1977010007	2577010007	-
8	200	1277010008	1777010008	1977010008	2577010008	3077010008
9	225	1277010009	1777010009	1977010009	2577010009	-
10	250	1277010010	1777010010	1977010010	2577010010	3077010010
11	280	1277010011	1777010011	-	2577010011	-
12	315	1277010012	1777010012	1977010012	2577010012	3077010012
14	355	1277010014	1777010014	1977010014	2577010014	3077010014
16	400	1277010016	1777010016	1977010016	2577010016	3077010016
18	450	1277010018	1777010018	-	2577010018	-
20	500	1277010020	1777010020	-	2577010020	-
22	560	1277010022	1777010022	-	2577010022	-
24	630	1277010024	1777010024	-	2577010024	-
28	710	1277010028	1777010028	-	2577010028	-
32	800	1277010032	1777010032	-	2577010032	-
36	900	1277010036	1777010036	-	2577010036	-
40	1000	1277010040	1777010040	-	2577010040	-
48	1200	1277010048	1777010048	-	2577010048	-

\*Sold in 5m (16.4') lengths only.  
Diameter is metric, inch size provided as nominal only.

Please see our ProVent® list price book for our complete offering of fittings and accessories.



ProVent®  
System

### PIPE\* 5 meter (16.4') lengths

DA	PP-KG	PPs-KG	PPsEL-KG	PE-KG	PVDF-KG	NOM in	DA in	PP Lbs	PPs Lbs	PPsEI Lbs	PE Lbs	PVDF Lbs
63	1.90	1.95	-	-	3.75	2	2.48	4.18	4.29	-	-	8.25
75	2.60	2.25	-	-	5.55	2-1/2	2.95	5.72	4.95	-	-	12.21
90	3.80	3.10	4.70	4.00	7.40	3	3.54	8.36	6.82	10.34	8.80	16.28
110	4.50	4.60	6.15	4.75	9.70	4	4.33	9.90	10.12	13.53	10.45	21.34
140	7.40	6.60	0.00	7.80	12.45	5	5.51	16.28	14.52	-	17.16	-
160	9.55	7.65	9.05	10.10	14.30	6	6.30	21.01	16.83	19.91	22.22	31.46
180	11.80	8.55	10.20	12.40	-	7	7.09	25.96	18.81	22.44	27.28	-
200	9.15	9.50	11.35	15.40	17.90	8	7.87	20.13	20.90	24.97	33.88	39.38
225	18.50	12.35	14.90	19.50	-	9	8.86	40.70	27.17	32.78	42.90	-
250	13.30	13.75	16.60	24.20	22.40	10	9.84	29.26	30.25	36.52	53.24	49.28
280	28.65	17.40	0.00	30.20	-	11	11.02	63.03	38.28	-	66.44	-
315	23.70	24.55	29.40	37.95	37.35	12	12.40	52.14	54.01	64.68	83.49	82.17
355	31.95	27.70	33.20	48.25	46.70	14	13.98	70.29	60.94	73.04	106.15	102.74
400	36.00	36.95	44.70	50.20	59.05	16	15.75	79.20	81.29	98.34	110.44	129.91
450	40.50	41.65	-	56.50	-	18	17.72	89.10	91.63	-	124.30	-
500	59.50	61.50	-	63.00	-	20	19.69	130.90	135.30	-	138.60	-
560	67.05	69.00	-	88.00	-	22	22.05	147.51	151.80	-	193.60	-
630	94.00	96.50	-	99.00	-	24	24.80	206.80	212.30	-	217.80	-
710	126.50	130.00	-	133.50	-	28	27.95	278.30	286.00	-	293.70	-
800	143.00	146.50	-	151.00	-	32	31.50	314.60	322.30	-	332.20	-
900	200.50	206.00	-	211.50	-	36	35.43	441.10	453.20	-	465.30	-
1000	223.00	229.50	-	235.00	-	40	39.37	490.60	504.90	-	517.00	-
1200	320.50	329.00	-	338.50	-	48	47.24	705.10	723.80	-	744.70	-

\*Sold in 5m (16.4') lengths only. Weight per length.  
Diameter is metric, inch size provided as nominal only.

*Page intentionally left blank.*

**ProVent®  
System**

# Specialty Products and Materials

Specialty  
Items

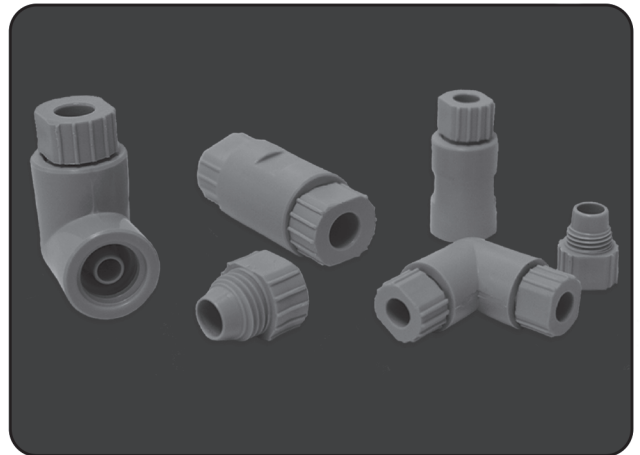


# EM-TECHNIK

## ASAHI/AMERICA

### 1+ Compression Fittings

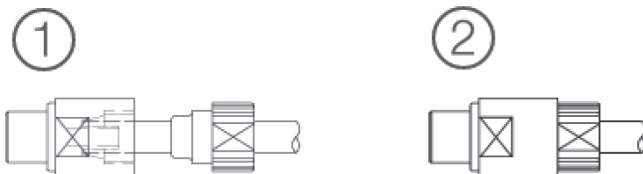
- Integrated clamping ring, no loose ferrules!
- Easy install, no tools required
- 230psi pressure rating



#### Installation Instructions

By integrating the clamping ring into the nut, Series 1+ compression fittings create a reliable tubing connection without the need for loose ferrules.

Simply slide the tubing over the sealing cone until it bottoms out and then hand tighten the nut.



#### Specifications

**Materials:** PP, PVDF, PFA

**Pressure Rating:** 230psi (at 68°F)

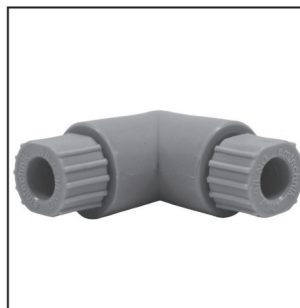
**Standard Size Range:**

1/8" x 1/4"

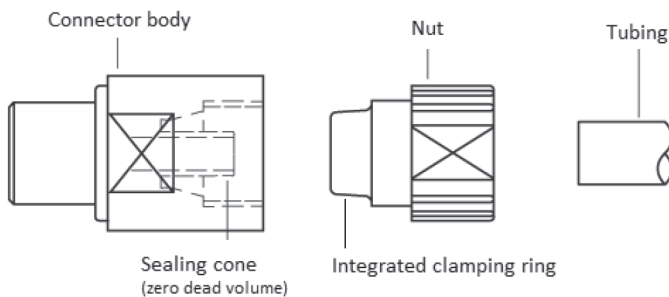
1/4" x 3/8"

3/8" x 1/2"

#### Standard Fittings



#### Compression Components



EM-Technik

# EM-TECHNIK PP 1+ Compression Fittings

PP 1+ Straight Union			
Size		Description	Part Number
OD	OD		
1/4	1/4	1+100T03PP	840410705
3/8	3/8	1+100T11PP	840410710
1/2	1/2	1+100T15PP	840410720



Straight Union

PP 1+ Elbow Union			
Size		Description	Part Number
OD	OD		
1/4	1/4	1+200T03PP	840407975
3/8	3/8	1+200T11PP	840407980
1/2	1/2	1+200T15PP	840407990



Elbow Union

PP 1+ Tee Union				
Size			Description	Part Number
OD	OD	OD		
1/4	1/4	1/4	1+300T03PP	840415445
3/8	3/8	3/8	1+300T11PP	840415450
1/2	1/2	1/2	1+300T15PP	840415460



Tee Union

PP 1+ Reducing Union			
Size		Description	Part Number
OD	OD		
1/4	1/2	1+100T1503PP	840400709
3/8	1/2	1+100T1511PP	840400719



Reducing Union

PP 1+ Union x Male NPT Thread			
Size		Description	Part Number
OD	NPT		
1/4	1/4	1+100MN0314PP	840412075
3/8	3/8	1+100MN1138PP	840412120
1/2	1/2	1+100MN1512PP	840412160



Union x Male NPT

# EM-TECHNIK PFA 1+ Compression Fittings



Straight Union

PFA 1+ Straight Union			
Size		Description	Part Number
OD	OD		
1/4	1/4	1+100T03PF	840300705
3/8	3/8	1+100T11PF	840300710
1/2	1/2	1+100T15PF	840300720



Elbow Union

PFA 1+ Elbow Union			
Size		Description	Part Number
OD	OD		
1/4	1/4	1+200T03PF	840307975
3/8	3/8	1+200T11PF	840307980
1/2	1/2	1+200T15PF	840307990



Tee Union

PFA 1+ Tee Union				
Size			Description	Part Number
OD	OD	OD		
1/4	1/4	1/4	1+300T03PF	840315445
3/8	3/8	3/8	1+300T11PF	840315450
1/2	1/2	1/2	1+300T15PF	840315460



Reducing Union

PFA 1+ Reducing Union			
Size		Description	Part Number
OD	OD		
1/4	1/2	1+100T1503PF	840300709
3/8	1/2	1+100T1511PF	840300719

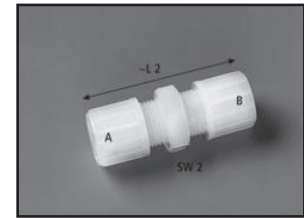


Union x Male NPT

PFA 1+ Union x Male NPT Thread			
Size		Description	Part Number
OD	NPT		
1/4	1/4	1+100MN0314PF	840312075
3/8	3/8	1+100MN1138PF	840312120
1/2	1/2	1+100MN1512PF	840312160

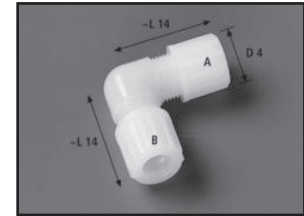
EM-Technik

Union			
		Description	Part Number
OD	OD		
1/4"	1/4"	1C100T03PF	840200705
3/8"	3/8"	1C100T11PF	840200710
1/2"	1/2"	1C100T15PF	840200720
3/4"	3/4"	1C100T20PF	840200730



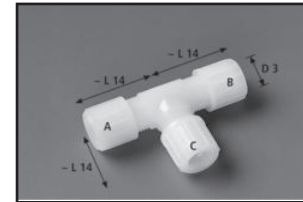
Union

90 Degree Elbow			
		Description	Part Number
OD	OD		
1/4"	1/4"	1C200T03PF	840207975
3/8"	3/8"	1C200T11PF	840207980
1/2"	1/2"	1C200T15PF	840207990
3/4"	3/4"	1C200T20PF	840208000



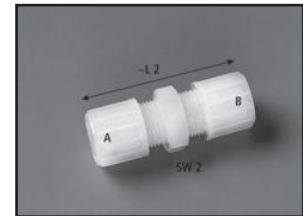
90 Elbow

Tee				
			Description	Part Number
OD	OD	OD		
1/4"	1/4"	1/4"	1C300T03PF	840215445
3/8"	3/8"	3/8"	1C300T11PF	840215450
1/2"	1/2"	1/2"	1C300T15PF	840215460
3/4"	3/4"	3/4"	1C300T20PF	840215470



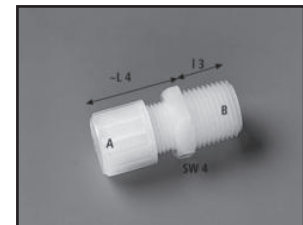
Tee

Reducer			
		Description	Part Number
OD	OD		
1/2"	3/8"	1C100T1511PF	840200719
3/4"	1/2"	1C100T2015PF	840200729



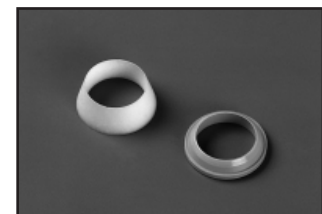
Reducer

Union x Male Adapter			
		Description	Part Number
OD	NPT		
1/4"	1/4"	1C100MN0314PF	840202075
	1/8"	1C100MN0318PF	840202065
3/8"	1/2"	1C100MN1112PF	840202130
	1/4"	1C100MN1114PF	840202110
1/2"	1/2"	1C100MN1512PF	840202160
	1/4"	1C100MN1514PF	840202140



Union x Male Adapter

Seal and Bitting Rings					
Size	Description	Part Number	List Price	Description	Part Number
1/4	PTFE Seal Ring	840200360	POA	PEEK Bitting Ring	840200490
3/8	PTFE Seal Ring	840200370	POA	PEEK Bitting Ring	840200500
1/2	PTFE Seal Ring	840200380	POA	PEEK Bitting Ring	840200510
3/4	PTFE Seal Ring	840200390	POA	PEEK Bitting Ring	840200520



Seal and Bitting Rings



# Specialty Plastics

## Self Extinguishing & Electro-Conductive Materials

### PPs

- Self Extinguishing Polypropylene

### PPs-el

- Self Extinguishing Polypropylene
- Electrically Conductive

### PE-el

- Electrically Conductive Polyethylene

### Ideal Applications

- Pipelines for solids and powders
- Pipelines for combustible gasses, vapors, solvents
- Tanks or tank lining
- Coal processing plant ventilation systems
- Static controlled cleanroom ventilation



Specialty  
Materials

**Product Range**

- Piping and fittings
- Semi-finished good, sheet & bar

<b>PPs</b>	Pressure System	20-200mm (1/2"-8")
	Ventilation System	160-1200mm (6"-48")
<b>PPs-el</b>	Pressure System	32-315mm (1"-12")
	Ventilation System	110-400mm (4"-16")
<b>PE-el</b>	Pressure System	32-315mm (1"-12")
	Ventilation System	110-400mm (4"-16")

**Material Properties**

			<b>PP</b>	<b>PPs</b>	<b>PPs-el</b>	<b>PE</b>	<b>PE-el</b>
Specific density at 23°C	ISO 1183	g/cm <sup>3</sup>	0.91	0.93	1.13	0.96	0.99
MFR 190/5	ISO 1133	g/10min	0.5	0.8		0.9	0.3
MFR 190/2.16					0.6	<0.10	
Tensile stress at yield	ISO 527	MPa	30	30	30	25	26
Elongation at yield	ISO 527	%	10	10	10	9	7
Elongation at break	ISO 527	%	>300	>50	43	>600	n/a
Impact strength notched at +23°C	ISO 179	kJ/m <sup>2</sup>	8	9	9.5	16	5
Impact strength notched at 0°C			2.8	2.8	n/a	n/a	n/a
Impact strength notched at -30°C			2.2	2.2	2.3	6	3
Modulus of elasticity	ISO 527	MPa	1300	1300	n/a	1100	1150
Vicat-Softening point VST/B/50	ISO 306	°C	91	85	133	77	83
Heat deflection temperature HDT/B	ISO 75	°C	96	85	47	75	n/a
Linear coefficient of thermal expansion	DIN 53752	K <sup>-1</sup> x 10 <sup>-4</sup>	1.6	1.6	n/a	1.8	1.8
Thermal conductivity at 20 °C	DIN 52612	W/(m x K)	0.22	0.2	n/a	0.4	0.43
Flammability	UL94	--	94-HB	V-2	V-0	94-HB	
	DIN 4102	--	B2	B1		B2	B2
Specific volume resistance	VDE 0303	OHM cm	>10 <sup>16</sup>	>10 <sup>15</sup>	>10 <sup>8</sup>	>10 <sup>16</sup>	>10 <sup>8</sup>
Specific surface resistance	VDE 0303	OHM	>10 <sup>13</sup>	>10 <sup>15</sup>	>10 <sup>6</sup>	>10 <sup>13</sup>	>10 <sup>6</sup>
Physiologically non-toxic	EEC 90/128	--	Yes	Yes	No	Yes	No
FDA	--	--	Yes	No	No	Yes	No
UV stabilized	--	--	No	No	Yes	Yes	Yes
Color	--	--	Grey	Grey	Black	Black	Black

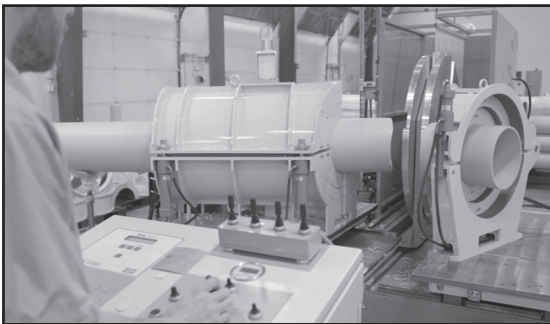
# Custom Fabrication



Asahi/America's team of craftsmen in our Lawrence, MA and newly acquired Gramercy, LA facilities are poised to create custom pipe spools, fittings and accessories in a wide range of corrosion resistant thermoplastic materials.

Supported by our application engineers and CAD design professionals our experienced staff is able to create custom pieces to meet your applications requirements.

From concept to completion, we can meet your needs.



- Two Fully Staffed Fabrication Shops
- Custom Solutions
- Small or Large Quantities
- State-of-the-art Welding Equipment
- Latest CNC Machines
- Quick Turnaround from Concept to Completion

## System Design

- CAD Design
- Virtual Drawings and Models
- On Site System Layout Planning
- Custom Fittings and Spools
- Design Assistance for Materials Selection and Compatibility



## Pre-Fabricated Pipe Spools and Custom Fittings

- Pre-Fabrication Assemblies and Spools
- Large Diameters up to 24"
- Single and Double Contained Pipe, Valves and Fittings
- Headers and Manifolds
- Dip Pipe and Spargers

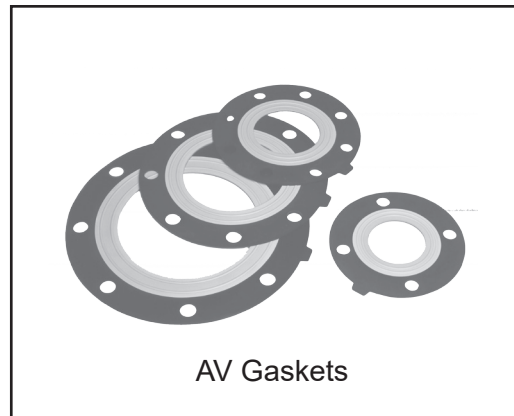
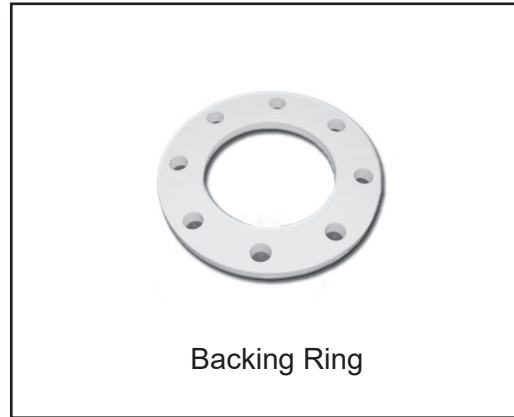
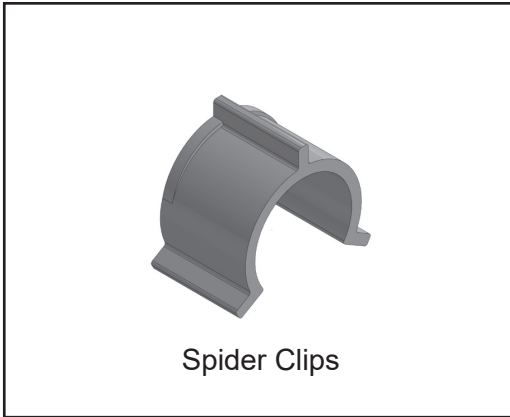
## Components, Fabricated Items and More

- Duct Systems
- Fume Hoods
- Lab Sinks
- Storage Tanks
- Tank and Vat Covers
- Valve Boxes and Vaults



Fabrication

# Piping System Accessories



Accessories



**BACKING RING\***

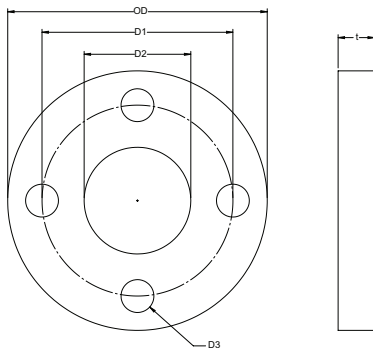


**Backing Ring**

Size		Description	PP - Grey
mm	inch		Part Number
20	1/2	ANSI 150#	5046005
25	3/4	ANSI 150#	5046007
32	1	ANSI 150#	5046010
40	1-1/4	ANSI 150#	5046012
50	1-1/2	ANSI 150#	5046015
63	2	ANSI 150#	5046020
75	2-1/2	ANSI 150#	5046025
90	3	ANSI 150#	5046030
110	4	ANSI 150#	5046040
160	6	ANSI 150#	5046060
200/225	8	ANSI 150#	5046080
250/280	10	ANSI 150#	5046100
315	12	ANSI 150#	5046120

\*DIN bolt pattern PN 10/16 available.

**Accessories**



Size		Dimensions						
mm	inch	OD	D1	D2	D3	t	Weight	# of Bolt Holes
20	1/2	3.740	2.380	1.102	0.630	0.472	0.463	4
25	3/4	4.016	2.750	1.339	0.630	0.472	0.529	4
32	1	4.488	3.120	1.654	0.630	0.630	0.807	4
40	1-1/4	5.118	3.500	2.008	0.630	0.630	1.235	4
50	1-1/2	5.236	3.880	2.441	0.630	0.709	1.193	4
63	2	6.378	4.750	3.071	0.787	0.709	1.788	4
75	2-1/2	7.244	5.500	3.622	0.787	0.709	2.352	4
90	3	7.638	6.000	4.370	0.787	0.709	2.271	4
110	4	9.016	7.500	5.236	0.787	0.709	3.342	8
160	6	11.142	9.500	7.008	0.866	0.945	5.115	8
200/225	8	13.583	11.750	9.291	0.866	0.945	7.474	8
250/280	10	16.220	14.250	11.339	0.984	1.024	13.669	12
315	12	19.173	17.000	13.307	0.984	1.260	28.748	12

225mm (9") and 200mm (8") stub ends use 8" ANSI backing rings.  
Consult factory for backing rings larger than 315mm (12").

## BACKING RING\*

Size		Description	PP - Black*
mm	inch		Part Number
20	1/2	ASNI 150#	5146005
25	3/4	ASNI 150#	5146007
32	1	ASNI 150#	5146010
40	1-1/4	ASNI 150#	5146012
50	1-1/2	ASNI 150#	5146015
63	2	ASNI 150#	5146020
75	2-1/2	ASNI 150#	5146025
90	3	ASNI 150#	5146030
110	4	ASNI 150#	5146040
160	6	ASNI 150#	5146060
200/225	8	ASNI 150#	5146080
250/280	10	ASNI 150#	5146100
315	12	ASNI 150#	5146120



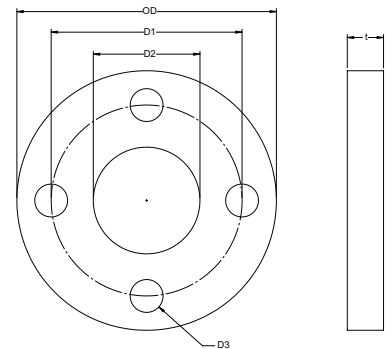
Backing Ring

\*DIN bolt pattern PN 10/16 available.

\*PP black UV resistant.

Accessories

Size		Dimensions						
mm	inch	OD	D1	D2	D3	t	Weight	# of Bolt Holes
20	1/2	3.740	2.380	1.102	0.630	0.472	0.463	4
25	3/4	4.016	2.750	1.339	0.630	0.472	0.529	4
32	1	4.488	3.120	1.654	0.630	0.630	0.807	4
40	1-1/4	5.118	3.500	2.008	0.630	0.630	1.235	4
50	1-1/2	5.236	3.880	2.441	0.630	0.709	1.193	4
63	2	6.378	4.750	3.071	0.787	0.709	1.788	4
75	2-1/2	7.244	5.500	3.622	0.787	0.709	2.352	4
90	3	7.638	6.000	4.370	0.787	0.709	2.271	4
110	4	9.016	7.500	5.236	0.787	0.709	3.342	8
160	6	11.142	9.500	7.008	0.866	0.945	5.115	8
200/225	8	13.583	11.750	9.291	0.866	0.945	7.474	8
250/280	10	16.220	14.250	11.339	0.984	1.024	13.669	12
315	12	19.173	17.000	13.307	0.984	1.260	28.748	12



225mm (9") and 200mm (8") stub ends use 8" ANSI backing rings.  
Consult factory for backing rings larger than 315mm (12").

**BACKING RING\***

Size		Description	Ductile Iron+	316 SS++
mm	inch		Part Number	Part Number
20	1/2	ANSI 150#	-	504501005
25	3/4	ANSI 150#	5048007	504501007
32	1	ANSI 150#	5048010	504501010
40	1-1/4	ANSI 150#	5048012	-
50	1-1/2	ANSI 150#	5048015	504501015
63	2	ANSI 150#	5048020	504501020
75	2-1/2	ANSI 150#	5048025	-
90	3	ANSI 150#	5048030	504501030
110	4	ANSI 150#	5048040	504501040
160	6	ANSI 150#	5048060	504501060
200/225	8	ANSI 150#	5048080	504501080
250/280	10	ANSI 150#	5048100	504501100
315	12	ANSI 150#	5048120	504501120
355	14	ANSI 150#	5048140	-
400	16	ANSI 150#	5048160	-
450	18	ANSI 150#	5048180	-
500	20	ANSI 150#	5048200	-
550	22	ANSI 150#	5048220	-
630	24	ANSI 150#	5048240	-

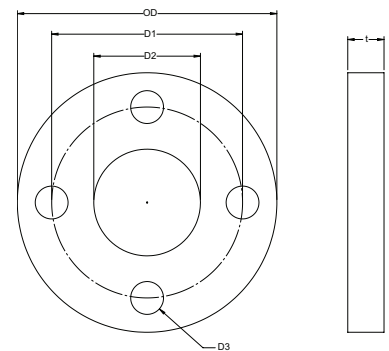


**Backing Ring**

\*DIN bolt pattern PN 10/16 available.  
 +DI backing rings not recommended for socket stub ends.  
 ++ Contact A/A for current Stainless Steel pricing.

**Accessories**

Size		Dimensions							# of Bolt Holes
mm	inch	OD	D1	D2	D3	t	Weight		
20	1/2	3.740	2.380	1.102	0.630	0.472	0.463	4	
25	3/4	4.016	2.750	1.339	0.630	0.472	0.529	4	
32	1	4.488	3.120	1.654	0.630	0.630	0.807	4	
40	1-1/4	5.118	3.500	2.008	0.630	0.630	1.235	4	
50	1-1/2	5.236	3.880	2.441	0.630	0.709	1.193	4	
63	2	6.378	4.750	3.071	0.787	0.709	1.788	4	
75	2-1/2	7.244	5.500	3.622	0.787	0.709	2.352	4	
90	3	7.638	6.000	4.370	0.787	0.709	2.271	4	
110	4	9.016	7.500	5.236	0.787	0.709	3.342	8	
160	6	11.142	9.500	7.008	0.866	0.945	5.115	8	
200/225	8	13.583	11.750	9.291	0.866	0.945	7.474	8	
250/280	10	16.220	14.250	11.339	0.984	1.024	13.669	12	
315	12	19.173	17.000	13.307	0.984	1.260	22.500	12	
355	14	21.000	19.750	14.800	1.130	1.380	30.000	12	
400	16	23.500	21.250	16.930	1.130	1.440	35.000	16	
450	18	25.000	22.750	18.500	1.250	1.560	39.000	16	
500	20	27.500	25.000	21.250	1.250	1.690	56.000	20	
630	24	32.000	29.500	25.000	1.380	2.130	74.000	20	



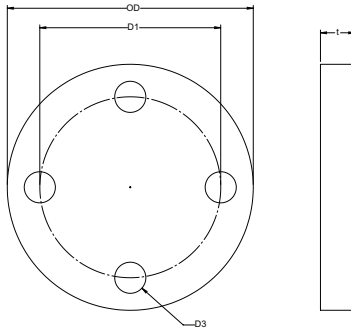
### PP BLIND FLANGE



**PP  
Blind Flange**

Size		Description	230 PSI Part Number
mm	inch		
20	1/2	Steel Insert, ANSI 150#	5042005
25	3/4	Steel Insert, ANSI 150#	5042007
32	1	Steel Insert, ANSI 150#	5042010
40	1-1/4	Steel Insert, ANSI 150#	5042012
50	1-1/2	Steel Insert, ANSI 150#	5042015
63	2	Steel Insert, ANSI 150#	5042020
75	2-1/2	Steel Insert, ANSI 150#	5042025
90	3	Steel Insert, ANSI 150#	5042030
110	4	Steel Insert, ANSI 150#	5042040
160	6	Steel Insert, ANSI 150#	5042060
200	8	Steel Insert, ANSI 150#	5042080
250	10	Steel Insert, ANSI 150#	5042100
315	12	Steel Insert, ANSI 150#	5042120

**Accessories**



Size		OD	D1	D3	t	Weight (lbs)	# of Bolt Holes
mm	inch						
20	1/2	3.740	2.380	0.630	0.472	0.569	4
25	3/4	4.016	2.750	0.630	0.472	0.750	4
32	1	4.488	3.120	0.630	0.630	1.118	4
40	1-1/4	5.118	3.500	0.630	0.630	1.614	4
50	1-1/2	5.236	3.880	0.630	0.709	1.775	4
63	2	6.378	4.750	0.787	0.709	2.690	4
75	2-1/2	7.244	5.500	0.787	0.709	3.400	4
90	3	7.638	6.000	0.787	0.709	4.057	4
110	4	9.016	7.500	0.787	0.709	6.504	8
160	6	11.142	9.500	0.866	0.945	11.244	8
200	8	13.583	11.750	0.866	0.945	17.461	8
250	10	16.220	14.250	0.984	1.024	33.400	12
315	12	19.173	17.000	0.984	1.260	63.493	12

### PVDF BLIND FLANGE LINER

Size		Description	Not Pressure Rated Part Number
mm	inch		
20	1/2	ANSI 150#	5427005
25	3/4	ANSI 150#	5427007
32	1	ANSI 150#	5427010
40	1-1/4	ANSI 150#	5427012
50	1-1/2	ANSI 150#	5427015
63	2	ANSI 150#	5427020
75	2-1/2	ANSI 150#	5427025
90	3	ANSI 150#	5427030
110	4	ANSI 150#	5427040
160	6	ANSI 150#	5427060
200	8	ANSI 150#	5427080

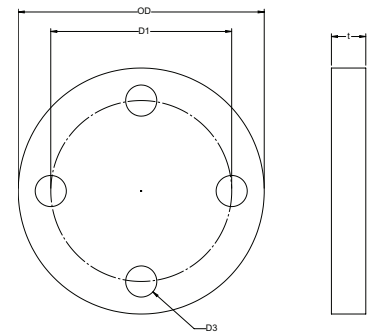


**PVDF  
Blind Flange**

Machined item non-returnable / non-cancelable.  
Not for pressure applications unless utilized with pressure rated blind flange see above.

Accessories

Size		OD	D1	D3	t	Weight (lbs)	# of Bolt Holes
mm	inch						
20	1/2	3.740	2.380	0.630	0.669	0.258	4
25	3/4	4.016	2.750	0.630	0.669	0.340	4
32	1	4.488	3.120	0.630	0.669	0.507	4
40	1-1/4	5.118	3.500	0.630	0.669	0.732	4
50	1-1/2	5.236	3.880	0.630	0.669	0.805	4
63	2	6.378	4.750	0.787	0.669	1.220	4
75	2-1/2	7.244	5.500	0.787	0.669	1.542	4
90	3	7.638	6.000	0.787	0.669	1.840	4
110	4	9.016	7.500	0.787	0.669	2.950	8
160	6	11.142	9.500	0.866	0.669	5.100	8
200	8	13.583	11.750	0.866	0.669	7.920	8
250	10	16.220	14.250	0.984	0.669	15.150	12
315	12	19.173	17.000	0.984	0.669	28.800	12



**AV Gaskets**

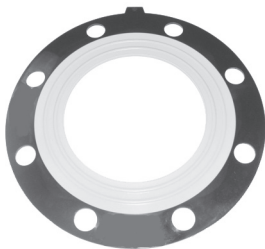
Please consult current Valve List Price book to ensure the list prices on all AV gaskets are current. Current Valve Price book supersedes this pricing.



**EPDM**  
Durometer 65-70

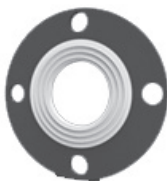


**PVDF**  
Durometer 83-85



**PTFE**  
Durometer 95-100

**CT GASKETS -PTFE\***



**PTFE**

\* Non stock-special order

**AV Gaskets - EPDM**

Size	Description	Part Number
1/2"	EPDM	3113005
3/4"	EPDM	3113007
1"	EPDM	3113010
1-1/4"	EPDM	3113012
1-1/2"	EPDM	3113015
2"	EPDM	3113020
2-1/2"	EPDM	3113025
3"	EPDM	3113030
4"	EPDM	3113040
6"	EPDM	3113060
8"	EPDM	3113080
10"	EPDM	3113100
12"	EPDM	3113120

**AV Gaskets - PVDF**

Size	Description	Part Number
1/2"	PVDF	3115005
3/4"	PVDF	3115007
1"	PVDF	3115010
1-1/2"	PVDF	3115015
2"	PVDF	3115020
3"	PVDF	3115030
4"	PVDF	3115040
6"	PVDF	3115060
8"	PVDF	3115080
10"	PVDF	3115100

**AV Gaskets - PTFE**

Size	Description	Part Number
1/2"	PTFE	3114005
3/4"	PTFE	3114007
1"	PTFE	3114010
1-1/4"	PTFE	3114012
1-1/2"	PTFE	3114015
2"	PTFE	3114020
2-1/2"	PTFE	3114025
3"	PTFE	3114030
4"	PTFE	3114040
6"	PTFE	3114060
8"	PTFE	3114080
10"	PTFE	3114100
12"	PTFE	3114120

General grade, available cleaned and bagged.

Size		Description	Part Number
mm	inch		
355	14	ANSI 150#	3116140
400	16	ANSI 150#	3116160
450	18	ANSI 150#	3116180
500	20	ANSI 150#	3116200
630	24	ANSI 150#	3116240

**Accessories**

**SPIDER CLIP - PP**

Size		PRO150 X 150	PRO150 X 45	PRO45 X 45
mm	inch	Part Number	Part Number	Part Number
32 x 90	1 X 3	5244134	-	-
63 x 110	2 X 4	5244420	5346420	-
90 x 160	3 X 6	5244531	5346531	-
110 x 200	4 X 8	5244583	5346583	5346583
160 x 250	6 X 10	5244627	5346627	5346627
200 x 315	8 X 12	5244660	5346660	5346660
250 x 355	10 X 14	5244702	5346702	5346702
315 x 400	12 X 16	5244690	5346690	5346690
355 x 450	14 X 18	5244710	5346710	5346710
400 x 500	16 X 20	-	5346726	5346726



**PP  
Spider Clip**

**SPIDER CLIP - PVDF**

Size		PRO150 X 150	PRO150 X 45	PRO45 X 45
mm	inch	Part Number	Part Number	Part Number
32 x 90	1 X 3	5244134	-	-
63 x 110	2 X 4	5244420	5346420	-
90 x 160	3 X 6	5244531	5346531	-
110 x 200	4 X 8	5244583	5346583	5346583
160 x 250	6 X 10	5244627	5346627	5346627
200 x 315	8 X 12	5244660	5346660	5346660
250 x 355	10 X 14	5244702	5346702	5346702
315 x 400	12 X 16	5244690	5346690	5346690
355 x 450	14 X 18	5244710	5346710	5346710
400 x 500	16 X 20	-	5346726	5346726

**SPIDER CLIP - PE (FOR CHEM PROLINE®)**

Sizes		SDR	Part Number
mm	inches		
32 x 90	1 x 3	SDR 11 x 11	4784134
63 x 110	2 x 4	SDR 11 X 33	4784420
90 x 169	3 x 6	SDR 11 x 33	4784531
110 x 200	4 x 8	SDR 11 x 33	4784583
200 x 250	6 x 10	SDR 11 x 33	4784627
200 x 315	8 x 12	SDR 11 x 33	4784660
250 x 355	10 x 14	SDR 11 x 33	4784702
315 x 400	12 x 16	SDR 11 x 33	4784690



**PE  
Spider Clip**

**SUPPORT DISC - PP**

**PP  
Support  
Disc**

Size		PRO150 X 150	PRO150 X 45	PRO45 X 45
mm	inch	Part Number	Part Number	Part Number
32 x 90	1 X 3	5242134	-	-
63 x 110	2 X 4	5242420	5344420	-
90 x 160	3 X 6	5242531	5344531	-
110 x 200	4 X 8	5242583	5344583	5344583
160 x 250	6 X 10	5242627	5344627	5344627
200 x 315	8 X 12	5242660	5344660	5344660
250 x 355	10 X 14	5242702	5344702	5344702
315 x 400	12 X 16	-	5344690	5344690
355 x 450	14 X 18	-	5344710	5344710
400 x 500	16 X 20	-	5344726	5344726

Required if full pipe length is cut. Must be installed before welding pipe.

**SUPPORT DISC - PVDF**

**PVDF  
Support  
Disc**

Size		PVDF X PVDF
mm	inch	Part Number
32 x 90	1 X 3	6238134
63 x 110	2 X 4	6238420
90 x 160	3 X 6	6238531
110 x 200	4 X 8	6238583
160 x 250	6 X 10	6238627
200 x 315	8 X 12	6236660

Required if full pipe length is cut. Must be installed before welding pipe.

**SUPPORT DISC - PE (FOR CHEM PROLINE®)**

**PE  
Support  
Disc**

Sizes		SDR	Part Number
mm	inches		
32 x 90	1 x 3	SDR 11 x 11	4744134
63 x 110	2 x 4	SDR 11 X 33	4744420
90 x 169	3 x 6	SDR 11 x 33	4744531
110 x 200	4 x 8	SDR 11 x 33	4744583
200 x 250	6 x 10	SDR 11 x 33	4744627
200 x 315	8 x 12	SDR 11 x 33	4744660
250 x 355	10 x 14	SDR 11 x 33	4744702
315 x 400	12 x 16	SDR 11 x 33	4744690

Required if full pipe length is cut. Must be installed before welding pipe.

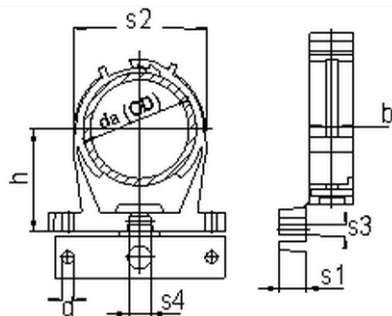




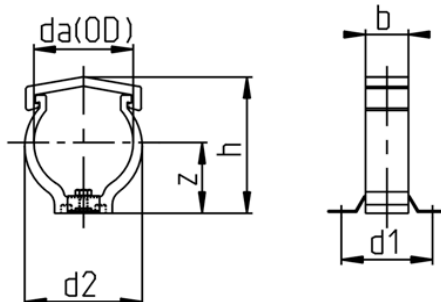
**PIPE CLIPS**

Size		Description	Part Number
mm	inch		
20	1/2	Snap Clips	5349005
25	3/4	Snap Clips	5349007
32	1	Snap Clips	5349010
40	1-1/4	Snap Clips	5349012
50	1-1/2	Snap Clips	5349015
63	2	2 Piece Clip	5246020
75	2-1/2	2 Piece Clip	5246025
90	3	2 Piece Clip	5246030
110	4	2 Piece Clip	5246040
160	6	2 Piece Clip	5246060
200	8	2 Piece Clip	5246080
225	9	2 Piece Clip	5246090

Accessories



Size		h	s1	s2	s3/d	s4	b
mm	inch						
20	1/2	1.06	0.24	1.14	0.26	0.35	0.55
25	3/4	1.18	0.40	1.34	0.26	0.35	0.63
32	1	1.24	0.45	1.54	0.26	0.35	0.63
40	1-1/4	1.46	0.55	1.97	0.26	0.35	0.69
50	1-1/2	1.61	0.59	2.20	0.26	0.35	0.79



Size		z	d1	d2	h	b
mm	inch					
63	2	2.04	2.91	3.07	3.74	1.16
75	2-1/2	2.40	3.23	3.70	4.41	1.57
90	3	2.63	3.22	4.25	5.03	1.57
110	4	3.14	3.22	5.39	5.98	1.57
160	6	4.56	4.33	7.24	8.54	2.36
200	8	5.82	4.33	9.37	10.50	2.36
225	9	6.22	4.33	10.28	11.46	2.36



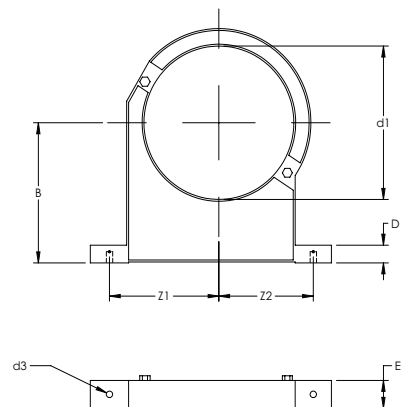
**PIPE CLIPS**

Size		Description	Part Number
mm	inch		
250	10	Snap Clips	5350100
280	11	Snap Clips	5350110
315	12	Snap Clips	5350120
355	14	Snap Clips	5350140
400	16	Snap Clips	5350160

10-16" pipe clips are special order.

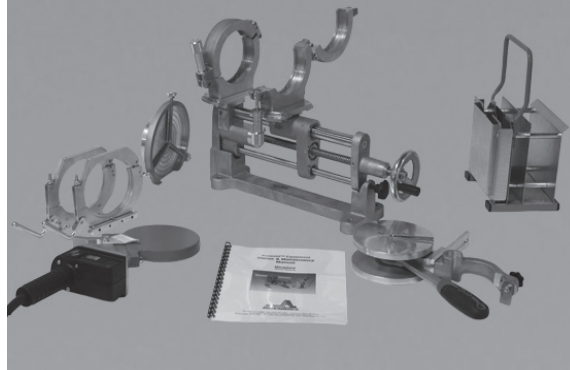
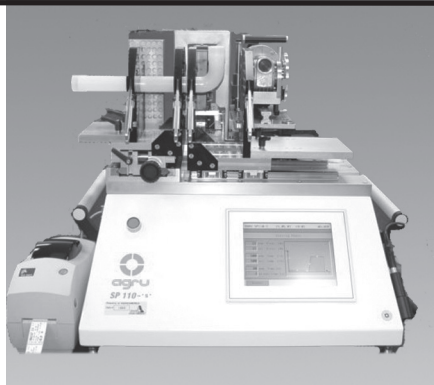
Accessories

Size		B	D	E	d3	Z1	Z2
mm	inch						
250	10	7.88	0.98	1.57	0.51	7.19	5.61
280	11	7.88	0.98	1.57	0.51	7.78	6.12
315	12	8.86	0.98	1.57	0.51	8.6	6.75
355	14	10.12	1.18	1.97	0.67	10.87	8.27
400	16	11.34	1.18	1.97	0.67	11.85	9.06





# Welding Equipment



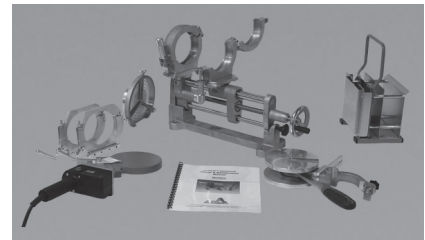
**Another  
Corrosion  
Problem  
Solved.™**



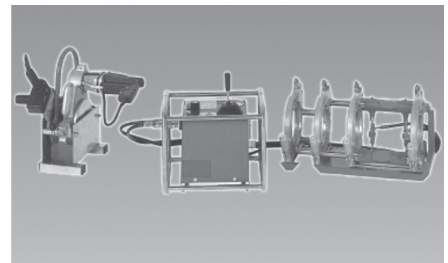
[www.asahi-america.com](http://www.asahi-america.com)

**Welding Equipment Purchase List Prices**

Machine Type	Part Number
<b>Industrial Welding Equipment</b>	
Miniplast® Shop 4	5730000
Miniplast® Electric Planer	5706000
Maxiplast® Shop 6	5622000
Shop 12	5722000
Shop 12 Hydraulic	5790000
<b>Trench Welding Equipment</b>	
Field 6	5792000
Field 10	5793100
Field 12	5793000
Field 12 Compact	5793002
Field 12 IPS	5793001
Field 14	5793140
Field 20	5676000
Field 24	5677000
<b>Electrofusion Welding Equipment</b>	
Polymatic Fusion	5830000
XTR400	5830001
<b>Socket Welding Equipment</b>	
Hand Socket 2"	5687001
Hand Socket 2" w/ temperature control	5687002
4" Hand Socket Welder	5687004
Bench Socket 2"	5711200
Bench Socket 4"	5711000
SmartFAB Bench Socket	5711082
Spider Socket	5687111
Remote Socket Welder	5687222
<b>Accessories</b>	
Hot Air Welder	5638000
Hot Air Welder w/ Triangular Tip	5638005
Extrusion Gun	5650000
SME-1 Beveller	5686003
Rotate Scraper 25-110	5831110
Rotate Scraper 90-225	5832225
Hornet Side Saddle	5688100
Internal Debeader	5860300
External Debeader	5861250
Ultra Sonic Leak Detection Gun	5794000



**Miniplast® Shop 4**



**Field 12 Trench (W4900)**

Welding

*Please refer to Asahi's Welding Equipment Catalog for all power requirements.*

## Welding Equipment Rental Rates

Machine Type	Type	Part #
Miniplast®	Butt	9730000
Miniplast® Electric Planer	Butt	9706000
Maxiplast® 6	Butt	9622000
Halar 6	Butt	9773000
Shop 12	Butt	9722000
Shop 12 Hydraulic	Butt	9790000
Field 6	Butt	9792000
Field 10	Butt	9793100
Field 12	Butt	9793000
Field 12 (IPS)	Butt	9730001
Field 12 Compact	Butt	9793002
Field 14	Butt	9793140
Field 20	Butt	9676000
Field 24	Butt	9677000
SPA Datalogger (for 6" and 12" tool)	Butt	9793999
Polymatic Fusion	Electrofusion	9830000
XTR400	Electrofusion	9830001
Hand Socket 2"	Socket	9687001
Hand Socket 4"	Socket	9687004
Bench Socket 4"	Socket	9711000
SmartFAB Bench Socket	Socket	9711082
Spider Socket	Socket	9687111
Remote Socket Welder	Socket	9687222
Hot Air Welder	Hot Air	9638000
Hot Air Welder w/ Triangular Tip	Hot Air	9638005
Extrusion Gun	Hot Air	9650000
Hornet Side Saddle	Accessories	9688100
Rotate Scraper 25-110	Accessories	9831110
Rotate Scraper 90-225	Accessories	9832225
Internal Debeader	Accessories	9860300
External Debeader	Accessories	9861250
Miniplast®/Halar® Mirror	Accessories	9762040
1 x 3 Annular Mirror	Accessories	9615134
2 x 4 Annular Mirror	Accessories	9731420
3 x 6 Annular Mirror	Accessories	Inquire
4 x 8 Annular Mirror	Accessories	Inquire
6 x 10 Annular Mirror	Accessories	Inquire
8 x 12 Annular Mirror	Accessories	Inquire
Leak Detection Gun	Accessories	9794000

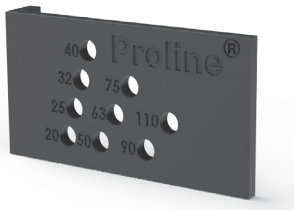


**Heater Bushings**  
Type A is for Asahitec™

Type B is for Air-Pro®  
and all other Industrial  
Piping Systems

**SOCKET TYPE A & B HEATER BUSHINGS**

Size		TYPE A Heater Bushings	TYPE B Heater Bushings
mm	inch	Part Number	Part Number
20	1/2	825797005	5797005
25	3/4	825797007	5797007
32	1	825797010	5797010
40	1-1/4	825797012	5797012
50	1-1/2	825797015	5797015
63	2	825797020	5797020
75	2-1/2	825797025	5797025
90	3	825797030	5797030
110	4	825797040	5797040



**Depth Gauge**

**SOCKET DEPTH GAUGES**

TYPE A -ASAHITEC™	TYPE B - PROLINE®
Part Number	Part Number
5687888	5687999

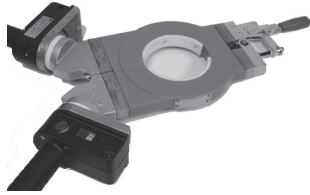
**TOOL PLANER BLADES**



**Planer Blades**

Tool	PC/Set	Part Number
Miniplast® 4	2 pc/set	5720002
Maxiplast® 6	4 pc/set	5622005
Shop 12 (W2500)	4 pc/set	5609120
Shop 12 Hydraulic	4 pc/set	5761140
Field 6 (W4400)	2 pc/set	5761060
Field 10	2 pc/set	5761110
Field 12 (W4900)	2 pc/set	5761120
Field 14	4 pc/set	5761140
Field 20 (W5500)	4 pc/set	5761130
Field 24 (W6100)	4 pc/set	5761150
Bench Socket (W3500) Beveller Blade	1 pc/set	5711001
Polymatic Fusion Scraper Blade	1 pc/set	5831000

**SPECIALTY HEATING MIRRORS**



**Split Mirror**

Description	Part Number
<b>Miniplast®</b>	
1x3 Annular Mirror	5615134
2x4 Annular Mirror	5731420
4 Halar® Special Coating	5762040
<b>Maxiplast®</b>	
3x6 Annular Mirror	5622360
6 Halar® Special Coating	5622026
<b>Shop 12 (W2500)</b>	
3x6 Annular Mirror	5722360
4x8 Annular Mirror	5722480
6x10 Annular Mirror	5722610
8x12 Annular Mirror	5616660
12 Halar® Special Coating	6877003



**Hot Air Welder**

**HOT AIR WELDER 700 R**

Description	Part Number
Round Tip	5641000
Combo Speed/taking Tip (5/32)	5642000
Tri-rod (Triangular Tip)	5642755
Spare Heating Unit	5645000

Welding





# Peel Remove Edge Plane

Natural oxidation occurs on polyolefin thermoplastics and must be removed in order to achieve the best bonding between pipe and socket fittings. Asahi's PREP tool effortlessly removes oxidation while planing and adds a bevel to the insertion face of the pipe. An added benefit of the one-step process is the marking of the desired insertion depth.

**Features**

- Quickly "PREP" pipe for socket welding
- Easy to use, impossible to misuse
- Marks insertion depth directly on pipe
- Maintenance-free operation
- Completely removes surface oxidation from PE, PP
- Reduces installation time with only one operation
- In accordance with DVS and ASTM Type B socket standards

**PREP TOOL**

Description	Part Number
20-63mm Kit	581156000

Complete Kit includes:

- 20-63mm PREP tool with blades
- Manual handles (2 piece)
- Driver nut
- Storage case

**ACCESSORIES**

Description	Part Number
Handles (2 pc)	581155045
Driver Nut	581155042
Screw (1pc)	581155001



**HAND UNIT AND SPARE BLADES**

Size		Hand Unit	Spare Blades (each)
mm	inch	Part Number	Part Number
20	1/2	581156005	581155006
25	3/4	581156007	581155008
32	1	581156010	581155011
40	1-1/4	581156012*	581155013
50	1-1/2	581156015*	581155016
63	2	581156020*	581155021

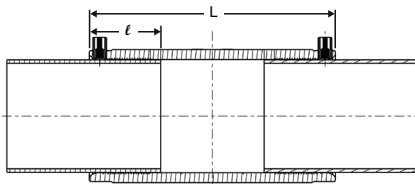
\*These sizes include 2 piece handle set.

**PROLINE® EF COUPLINGS - PP**



**Proline® PP  
EF Coupling**

Size		PP
mm	inch	Part Number
20	1/2	5077005
25	3/4	5077007
32	1	5077010
40	1-1/4	5077012
50	1-1/2	5077015
63	2	5077020
90	3	5077030
110	4	5077040
160	6	5077060
200	8	5077080
225	9	5077090
250	10	5077100
315	12	5077120

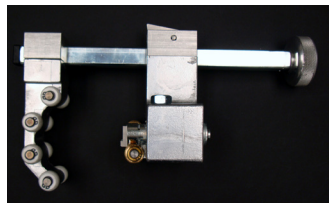


**Closure Coupling**

**DUO-PRO® CLOSURE COUPLINGS\***

Size		Dimensions		PP
mm	inch	L	l	Part Number
90	3	8-3/4	2-1/2	507700030
110	4	9-1/2	2-3/4	507700040
160	6	10-5/8	3-1/4	507700060
200	8	12-3/4	4	507700080

\*For pipe to pipe closure of outer pipe only



**Rotational  
Scraper**

**ELECTROFUSION ROTATIONAL SCRAPERS (PF)**

Size	Part Number
PF 110 (25-125mm) 3/4" - 4-1/2"	5831110
PF 225 (90-225mm) 3" - 9"	5832225

Required for all electrofusion welds

Welding

**CHEM PROLINE® EF COUPLINGS**

Size		SDR 11 / PN 10 / 150 PSI
mm	inch	Part Number
20	1/2	581117005
25	3/4	581117007
32	1	581117010
50	1-1/2	581117015
63	2	581117020
90	3	581117030
110	4	581117040
160	6	581117060
200	8	581117080
250	10	581117100
315	12	581117120



**Chem Proline®  
Electrofusion  
Coupling**

**AIR-PRO® EF COUPLINGS**

Size		SDR 11 / PN 10 / 150 PSI
mm	inch	Part Number
20	1/2	5817005
25	3/4	5817007
32	1	5817010
40	1-1/4	5817012
50	1-1/2	5817015
63	2	5817020
90	3	5817030
110	4	5817040
160	6	5817060
200	8	5817080
250	10	5817100
315	12	5817120



**Air-Pro®  
Electrofusion  
Coupling**

Welding

**WELDING ROD**

PP	Part Number	apprx. wt	apprx. lth
3mm	5223003	6.6 lbs.	1525 ft
4mm	5223004	6.6 lbs.	850 ft
5mm x 7mm Tri	5223005	6.6 lbs.	550 ft
PVDF	Part Number	apprx. wt	apprx. lth
3mm	5453003	4.4 lbs.	520 ft
4mm	5453004	4.4 lbs.	290 ft
Halar® (ECTFE)	Part Number	apprx. wt	apprx. lth
3mm	5535003	4.4 lbs.	550 ft
4mm	5535004	4.4 lbs.	310 ft
PE	Part Number	apprx. wt	apprx. lth
3mm	4623003	6.6 lbs.	1525 ft
4mm	4623004	6.6 lbs.	850 ft

For Asahi Use Only	Date: _____		Ship to: _____	
	TR# _____			
	PO# _____			
	Start Date: _____		Attention: _____	
	Equipment	Serial	Rate	Equipment Value
				110v 230V-1ph 220-3ph
				110v 230V-1ph 220-3ph
				110v 230V-1ph 220-3ph

**Availability:** Proweld® equipment is available for rental to authorized distributors only. Please allow up to 5 days from receipt of order confirmation to prepare and ship rental equipment. Availability is not guaranteed.

**New Orders:** Purchase orders must include start date and expected duration. Each new order requires a signed rental agreement prior to equipment shipment.

**Rental Billing:** Billing starts when the tool is delivered and ends upon proof of return shipment is provided or the equipment arrives at Asahi. Charges are processed monthly and billed according to quoted rental rates.

Daily: Monday through Sunday, including holidays (includes weekends)

Weekly: calendar week (7 days includes weekends)

Monthly: calendar month (prorated by 30 days)

**Freight:** Insured transportation on all outgoing and incoming rental equipment must be provided by the distributor. Equipment may be combined with other shipments to reduce overall cost. If outgoing shipment is freight allowed, Asahi will only charge for additional insurance if not already covered. Please inspect delivered equipment for damage upon receipt from the freight company. Failure to identify freight damage will transfer liability from the freight company to the distributor.

**Consumables:** All consumable items must be purchased. These items include, but are not limited to printer labels and ribbon, beadless balloons, planer blades.

**Warranty:** Please call Asahi immediately if the equipment is not operating properly. Routine maintenance is recommended every six months of onsite usage. Equipment may be field serviced by Asahi authorized personnel or returned to Asahi. All freight and/or field service charges must be paid for by the distributor.

**Jobsite Transfer:** Equipment transfer between jobs is not recommended. Written approval must be given by Asahi and a new signed rental agreement must be completed. No warranty can be provided for equipment not originating from Asahi's facility.

**Damage:** An initial evaluation upon return will identify any abnormal damage. Equipment requiring excessive cleaning and/or repair will be billed at current shop labor rates. Broken or missing components will be billed at current replacement cost. In the event that damage exceeds the replacement value of the equipment, the customer may decide to purchase the damaged tool at the full replacement value listed above and take ownership of the equipment as-is, without repair by Asahi.



Distributor Must Complete

*Please fill out and return the signed agreement to: fax (978) 686-2391 or [jmartignetti@asahi-america.com](mailto:jmartignetti@asahi-america.com)*

*Asahi's current Proweld® agreement and additional information can be obtained from [www.Asahi-America.com/Rental](http://www.Asahi-America.com/Rental)*

Project Name: \_\_\_\_\_ Contractor: \_\_\_\_\_

Materials: \_\_\_\_\_ Trainer: \_\_\_\_\_

Sizes: \_\_\_\_\_ Training Date: \_\_\_\_\_

*I hereby understand and accept all terms and conditions,*

Distributor Name: \_\_\_\_\_

Signature: \_\_\_\_\_ Date: \_\_\_\_\_

*Page intentionally left blank.*

# Freight Policy Return Policy Warranty

## Standard Freight Policy Valves, Pipe, Fittings, & Equipment

Freight will be allowed on the following orders:

1. \$ 3,000.00 Net or greater for valves.\*
2. \$ 7,500.00 Net or greater for single wall pipe and fittings.
3. \$ 5,000.00 Net or greater for actuators only.

\* Combined orders of valves and pipe must meet requirements of pipe orders to qualify for freight allowed.

Freight will be allowed on the following orders for Alaska, Hawaii, and Puerto Rico:

1. \$ 3,500.00 Net or greater for valves.
2. \$ 25,000.00 Net or greater for single wall pipe and fittings.

The following shipments are NOT freight allowed:

1. International orders
2. All HDPE products excluding Air-Pro, Chem Proline.
3. Pipe Coils
4. Rental machines
5. Prefabricated pipe spools
6. EM-Technik products
7. Dymatrix specialty valves
8. Polytetra heat exchangers & heaters
9. All Dual wall pipe and fitting orders
10. Leak detection equipment

#### NOTES:

- All truck shipments are via common carrier and are to be selected by Asahi/America, Inc.
- Selection of alternate carriers is negotiable between interested parties and Asahi/America, Inc.
- Freight charges for expedited portions of freight allowed shipments are the responsibility of others.
- Freight charges on freight allowed backorders will be paid by Asahi/America, Inc.
- Freight for add-ons and releases will not be allowed.
- Returns of rental equipment must be prepaid.
- Freight will not be allowed on oversized loads, and non-standard lengths of pipe, etc.
- International orders must include contact name, telephone or fax number, and international freight account number.

#### Terms and Conditions

**Shipments:** Asahi/America will not be liable for any delay in performance of orders or contracts, or in delivery of shipment of goods, or for any damage suffered by buyer by reason of such delay performance, when such delay is directly or indirectly caused by acts of God, war, labor difficulties, shortage of materials, or supplies beyond its control. Asahi/America reserves the right to discontinue products and make changes in products offered at any time.

**Claims:** All claims must be made in writing and received by Asahi/America within 10 days after receipt of merchandise. If a shipment is received in damaged condition, a claim must be filed with the delivering carrier and noted on the freight bill before you accept the merchandise.

**Returns and Cancellations:** Refer to our policy on next page.

**Terms:** 2% 15 days. Net 30 days. An interest charge of 1-1/2% percent per month (an annual rate of 18%) will be charged in states where legal on the unpaid balance owed together with cost of collection including reasonable attorney's costs.

**Minimum Billing Charge:** Asahi/America will charge a \$75.00 net minimum order requirement on all orders. Any tax or duty imposed by any government will be added to the sales price.

## Return Merchandise Policy

EFFECTIVE 07/01/06

Asahi/America, Inc., (A/A) will authorize the return of product providing guidelines are adhered to as follows.

---

### Canceled Orders

A/A will accept the cancellation of Purchase Orders (PO) with no restocking charges under the following conditions:

- A/A has not started production of manufactured products.
- A/A has not placed a purchase order to our vendors for non-stock product or custom product.
- A/A has not already, picked, packaged and or shipped the product.

Cancellation of orders that do not meet the above conditions may be approved under special consideration and will be subject to a minimum 30% restocking charge, or cancellation charge.

---

### Authorized Returns

A/A will authorize the return of product with a minimum 30% restocking charge under the following conditions.

- Product must have been purchased within the last six months.
- Product must be considered stock item by A/A.
- Product must be in resellable condition and in original packaging..
- Pipe is non-returnable
- Fabricated items and machined items are non-returnable
- Large quantities of line items are subject to approval

---

### Product Evaluations

A/A will authorize the return of product for evaluation upon completion of the RMA form. (See enclosure)

- A/A, upon completion of the evaluation, will repair, replace, or issue a credit for the defective product if it is determined that the cause of failure is the responsibility of A/A. A/A retains the sole right to determine the correct course of action.
- A/A will notify the customer if it is determined that the cause of failure is due to normal wear and tear after the expiration of the warranty, misapplication, or improper use. In the event that the failure is not the responsibility of A/A the customer is to determine the corrective action that will be taken. A/A will not proceed with a repair or replacement until a purchase order is supplied by the customer. The purchase order must cover all expenses incurred by A/A.

---

### Freight

Customer is responsible for all freight costs associated with a return that is not directly attributed to an A/A error or product failure covered under warranty. All returns must be sent prepaid; any collect shipments will be refused and returned to the Customer.

- A/A will be responsible for all standard freight costs for product evaluations where it is determined that the cause of failure is the responsibility of A/A.



## Return Merchandise Policy (continued)

### Procedures

A/A will process all RMAs within four (4) weeks of receipt of the product providing the following procedures were followed. Please note; A/A is not responsible for any product that is shipped to our facilities without a completed RMA form. **A/A will not process returns that are not accompanied by an authorized RMA number, and product may be returned to the Customer at the customer's expense.**

All correspondence must be made directly to our RMA department.

Telephone Numbers: 1-800-343-3618 ext. 4543

1-781-388-4543

Fax Number 1-800-426-7058

E-mail [RMA@Asahi-America.com](mailto:RMA@Asahi-America.com)

RMA form must be filled out with all relevant information and forwarded to A/A's RMA department. The form must include the following minimum information:

- Original PO #, Original Invoice #, Original Order #.
- Supply itemized list of proposed return with A/A part numbers.
- Specify reason for return.

Upon successful completion of the RMA form and preliminary review, A/A will assign an RMA number and forward to the customer. A/A may elect to inspect product on site prior to issuing an RMA number.

Customer must properly package the product. The RMA number must be visible on all packages and indicated on the packing list, and arrange shipment of the product to A/A.

Customer must insure that product is returned in resellable condition in original packaging excluding product that is returned for repair or evaluation.

Customer must insure that all product has been decontaminated and does not present a health or safety problem to anyone that handles it.

A/A will notify customer of any discrepancies with regards to quantity and/or quality of the returned product.

A/A will process credit upon completion of a successful inspection of the returned product.

Product returned for evaluation will follow the above guidelines with the following exception.

A resolution to the evaluation must be agreed upon prior to the repair/replacement/credit of the product. The customer will have a two-week period to act upon A/A's resolution to the evaluation. A/A will return the product to the customer at the customer's expense, if no response is forwarded within this time frame. The customer, prior to the completion of the repair, must place a purchase order if it is determined that the failure is proven not to be the responsibility of A/A.

A/A will provide a full report of product returned for evaluation upon written request.

### Lost/Damaged Shipments

Damaged shipments and shortages must be signed and acknowledged by the carrier's driver. All claims for lost or damaged shipments must be made directly by the customer to the delivering carrier at time of delivery.

A/A's Customer Service Department must be notified in writing within 10 days of receipt of orders that appear to be short shipped by our shipping department. A/A will validate this claim through weight calculations and other means available. Customer's requests for proof of delivery by A/A must be made within 30 days of receipt of invoice. After 30 days, the product will be considered as delivered.

**TERMS AND CONDITIONS**

1. Asahi/America, Inc. ("Asahi") hereby gives notice of its objection to any different or additional terms and conditions except for any such items and conditions as may be expressly accepted by it in writing. The terms and conditions herein are the final expression of the parties' agreement and shall supersede any provisions, terms and conditions contained on any confirmation order or other writing buyer may give or receive and rights of the parties shall be governed exclusively by the terms and conditions hereof.
2. Buyer's confirmation is accepted for merchandise selection purpose only. All orders are subject to acceptance by Asahi at its Lawrence, Massachusetts office and Asahi reserves the right to reject any order in whole or in part without incurring any liability to buyer or any branch or division thereof for such order as may be rejected. Asahi shall have the right at its discretion to limit any credit to be extended hereunder or to require payment before delivery. In the event Asahi should be unable to manufacture or decide not to manufacture any product ordered, Asahi shall notify the buyer, but shall not be liable for any non-delivery of such merchandise. Buyer shall, however, accept delivery and pay for all other merchandise that is included on that order.
3. An order once placed with and accepted by Asahi cannot be cancelled or modified by buyer without Asahi's written consent which, if granted, will be subject to terms that will indemnify Asahi against loss.
4. Asahi does not accept in-store completion dates and cancellation dates will not be accepted on made-to-order product once the order has been put into production.
5. Asahi orders (once accepted) may have backorders when necessary. Backorders are not subject to cancellation by buyer unless 30 days past scheduled delivery date.
6. Delivery shall occur and risk of loss shall pass upon delivery of the merchandise sold hereunder to the carrier. Asahi will use buyer's routing guide or instructions after approval from Asahi's Traffic Department. All customers routings are F.O.B. shipping point. Asahi generates one invoice per shipment and does not include invoices with shipment.
7. The buyer agrees that no shipment from Asahi will be returned from a carrier unless damage or shortages are acknowledged and signed by the carrier's driver. All claims for lost or damaged shipments must be made directly by buyer to the delivering carrier at time of delivery. Shortages due to packing errors must be reported in writing within 10 days of receipt to Asahi's Customer Service Department. Adjustments can be made only if reported to Asahi in writing within that time. Buyer's requests for proof of delivery by Asahi must be made within 30 days of receipt of invoice. After 30 days, the merchandise will be considered as delivered.
8. Written approval from Asahi must be obtained before returning any merchandise of any quantity. Approval will be granted only to return unused, resalable merchandise shipped as a result of Asahi error. Upon approval by Asahi, merchandise must be returned within 30 days. All returns must be sent prepaid with return authorizations numbers visible on the outside carton. Returns not carrying return authorization numbers will be refused delivery by Asahi and returned to sender at senders expense.
9. Buyer agrees that it will not impose upon Asahi any handling, service or any other charges of that nature whatsoever.
10. Asahi will not be liable for any delay in performance of orders or contracts, or in delivery or shipment of goods, or for any damage suffered by buyer by reason of such delay in performance of orders or contracts, or in delivery or shipment of goods, or for any damage suffered by buyer by reason of such delay, when such delay is directly or indirectly caused by or in any manner arises from fire, flood, accident, riot, act of God, war, governmental interference or embargoes, strikes, labor difficulties, shortage of labor, fuel, power, materials, or supplies, transportation delays or any other cause or causes (whether or not similar in nature to any of these hereinbefore specified) beyond its control. Asahi reserves the right to discontinue product lines and make changes in products offered at any time.
11. Asahi products are intended to be sold in buyer's outlet(s) as addressed on this order. All branches must be separately approved. Transshipping of merchandise to approved branches of an approved account may not take place without the written approval of Asahi.
12. Asahi warrants only that the goods described on the face of the purchase order conform to Asahi's customary quality standards for such goods. Otherwise ASAHl MAKES NO WARRANTIES, EXPRESS OR IMPLIED, WHICH EXTEND BEYOND THE DESCRIPTION ON THE FACE OF THE ORDER. Without limiting the generality of the foregoing, ASAHl SPECIFICALLY EXCLUDES AND DISCLAIMS ANY IMPLIED WARRANTY OF MERCHANTABILITY OR FITNESS FOR A PARTICULAR PURPOSE, APPLICATION OR USE AND ANY IMPLIED WARRANTY AGAINST CLAIMS BY THIRD PARTIES FOR INFRINGEMENT AND THE LIKE. This warranty constitutes the only warranty given, superseding all prior or contemporaneous oral or written representations. No Seller, employee or any other person is authorized to modify this warranty or make any warranty in addition to those set forth herein.
13. ASAHl FURTHER MAKES NO WARRANTIES, EITHER EXPRESSED, IMPLIED OR STATUTORY, INCLUDING ANY IMPLIED WARRANTY OF MERCHANTABILITY OR FITNESS FOR A PARTICULAR PURPOSE, APPLICATION OR USE AND ANY IMPLIED WARRANTY AGAINST CLAIMS BY THIRD PARTIES FOR INFRINGEMENT AND THE LIKE FOR PRODUCTS ORDERED TO CUSTOM SPECIFICATIONS BY THE BUYER, THAT ARE EXPERIMENTAL, DEVELOPMENTAL OR PROTOTYPE PRODUCTS.
14. Buyer's remedies in the event of any breach by Asahi shall be exclusively limited to the return of the goods and repayment of the price. These remedies are the purchaser's exclusive remedies for breach of warranty. In no event shall buyer be entitled to claim any special, incidental, punitive or consequential damages of any nature, including, but not limited to, loss of anticipated profits and injury to persons or property. Provided further, Seller shall not be responsible for any warranty for its products integrated into systems designed or specified by third parties without the specific written authority of the Seller.
15. Payment terms shall be as set forth on the face of Asahi's invoice to buyer. Terms adjustment will be made upon request of buyer only if shipment is made more than 7 days in advance of buyer's requested ship date. Discounts will not be allowed on late payments. Discounts are applicable on merchandise only and not on freight or service charges. An interest charge of 1 1/2% percent per month (an annual rate of 18%) will be charged in states where legal on the unpaid balance owed together with cost of collection including reasonable attorney's costs. Asahi will charge a \$75.00 minimal order requirement on all orders. Any tax or duty imposed by any government will be added to the sales price.
16. Any waiver of any of these terms of sale by Asahi shall not be construed to be a waiver of the terms and conditions hereof as applied to subsequent transactions.
17. Any controversy or claim arising out of or relating to this agreement or that breach thereof shall be governed by the laws of the Commonwealth of Massachusetts. Any action or suit must be commenced within one year following delivery of the goods.

Note: Current Terms and Conditions may be found online at the following address  
<http://asahi-america.com/support/warranty-policy>

## PIPE AND FITTINGS

### WARRANTY AND LIMITATIONS

1.1 These Limited Representations and Warranties are applicable to all end-customers purchasing Asahitec pipe and fittings manufactured by AGRU - Kunststofftechnik GmbH and are subject to Asahi's standard Terms and Conditions of sale. Asahi warrants that for the warranty period, the products will be free from defects in materials and workmanship under normal and proper use, and will conform to manufacturer published specifications. This warranty is subject to the proper storage, handling, transportation, installation, use and maintenance of the products by both the installer and final customer. This warranty does not include defects due to normal wear and tear or deterioration.

1.2 Customer shall provide written notice of any non-conformities or visible defects regarding the products within 14 business days of discovery. Failure to provide prompt notice shall void this warranty.

1.3 The sole obligation under the foregoing warranty is, at Asahi's discretion, to repair, to replace or exchange the product or to refund the purchase price. Any repaired, replaced or exchanged products shall be subject to the warranty set forth in 1.1 following the repair, the replacement or the exchange. If the Company has received notification from customer, and no defects of the product could be discovered, customer shall bear the costs that the company incurred as a result of the notice.

1.4 The company also makes no warranty that the supply of custom fabricated products manufactured according to customer's specification do not infringe upon the intellectual property or other proprietary rights of any third party and customer is solely responsible for assuring that such products do not so infringe.

1.5 The "warranty period" for all Pipe and Fittings shall be 1 year from the date of invoice. Installation of Pipe and Fitting products must be performed by a properly trained and qualified installer utilizing proper welding equipment.

1.6 The Company does not authorize any person or party to assume or create for it any other obligation or liability in connection with the products except as set forth herein.

1.7 All requests and notices under this warranty shall be directed to:  
Asahi/America, Inc.

Attn: Customer Service  
655 Andover Street,  
Lawrence, MA 01843

Tel: 781-321-5409 • Fax: 978-685-3010







# **Another Corrosion Problem Solved.™**

---



**Your Experts in Plastics™**

**655 Andover St, Lawrence, MA 01843**

**Tel: 800-343-3618; 781-321-5409**

**Direct Sales: East (800) 232-7244**  
**Central (800) 442-7244**  
**West (800) 282-7244**

**Fax: 800-787-6861**

**[www.asahi-america.com](http://www.asahi-america.com)**

**[asahi@asahi-america.com](mailto:asahi@asahi-america.com)**

---