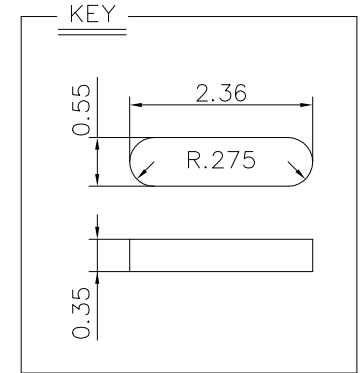
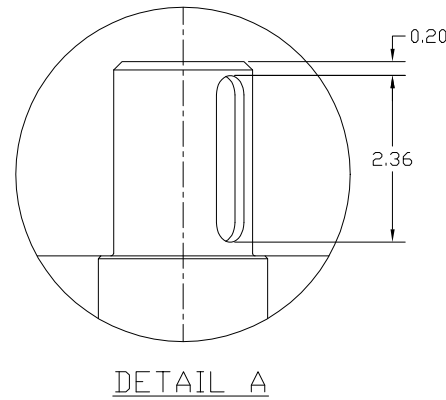
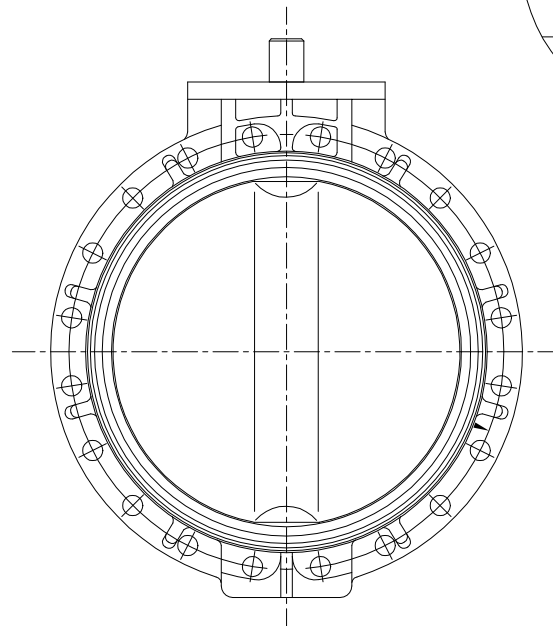
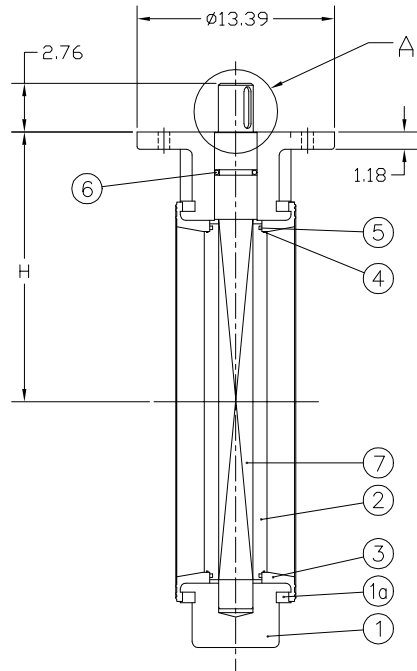


UNITS: INCHES

NOMINAL SIZE		H
18"	450	14.57
20	500	15.75
24	600	18.31



**FOR REFERENCE ONLY**  
**ASAHI/AMERICA**

1a	RING	2	STEEL (SS400) WITH EPOXY POWDER COAT.	
7	STEM	1	STAINLESS STEEL 403,316	
6	O-RING (C)	1	EPDM, FKM, OTHERS	
5	O-RING (B)	2		
4	O-RING (A)	2		
3	SEAT	1		
2	DISC	1	PP, PVDF	
1	BODY	1		
No.	DESCRIPTION	No.REQ'D	MATERIAL	REMARKS

NOTE: 1. The shape and appearance of assembly differ a little with nominal size compared to this drawing.

THIS DRAWING AND ALL INFORMATION HEREON IS THE PROPERTY OF ASAHI/AMERICA. ANY COPYING, REPRODUCTION OR UNAUTHORIZED USE IS FORBIDDEN WITHOUT WRITTEN CONSENT.

	NAME	DATE
DR	KENICHI MIYAZAKI	5/11/04
APPD	DAVE HURLEY	5/11/04
PROD	LEO LESTER	5/11/04
WO#/SO#		
FILE		

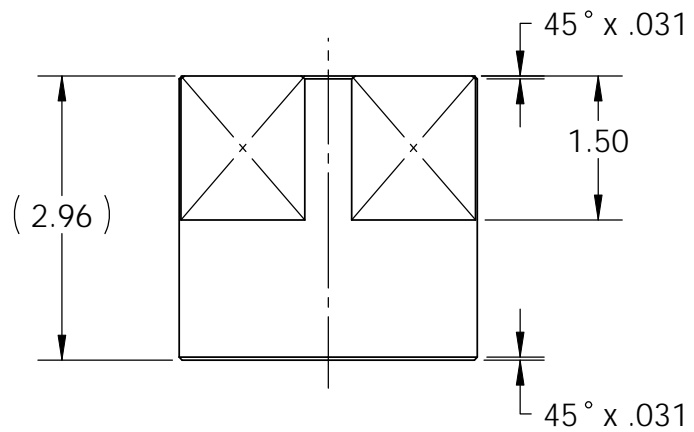
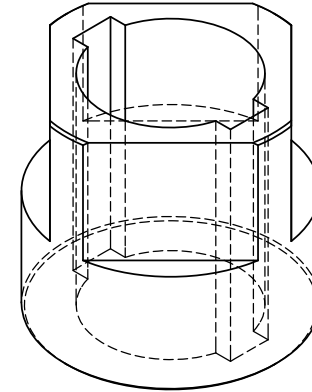
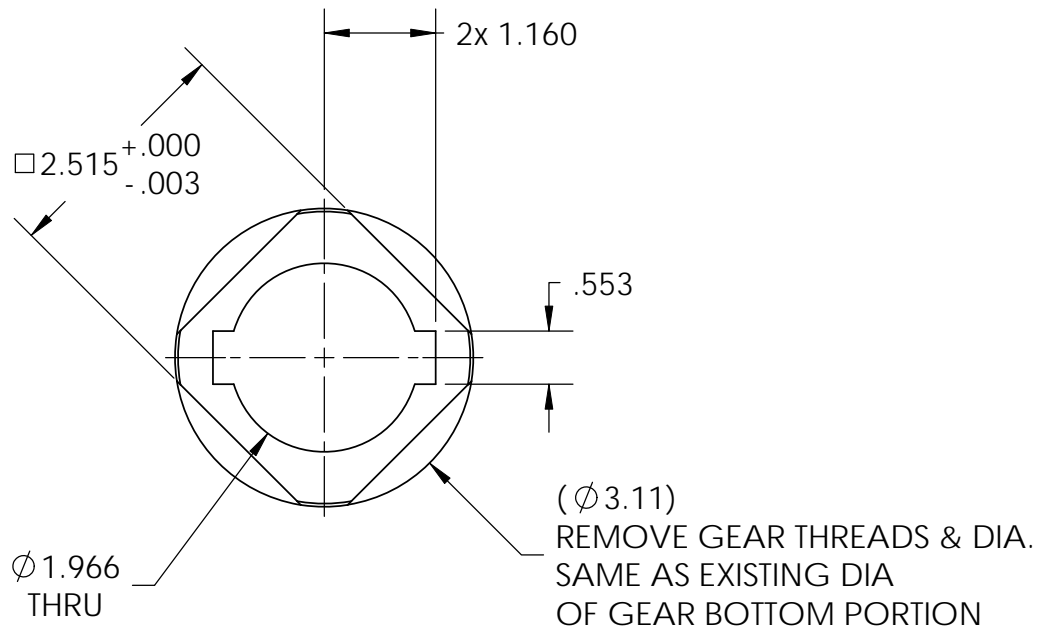
**ASAHI/AMERICA**

ISO 9001 CERTIFIED  
35 GREEN STREET, P.O. BOX 653, MALDEN, MA.



BUTTERFLY VALVE TYPE75  
TOP DIMENSIONS OF BODY  
18" THRU. 24"

SIZE	A	DWG. NO.	0239BF	REV	C
SCALE	NTS		SHEET 1 OF 1		



**18"-24" BF (SPERO STEM) GEAR CPLG**