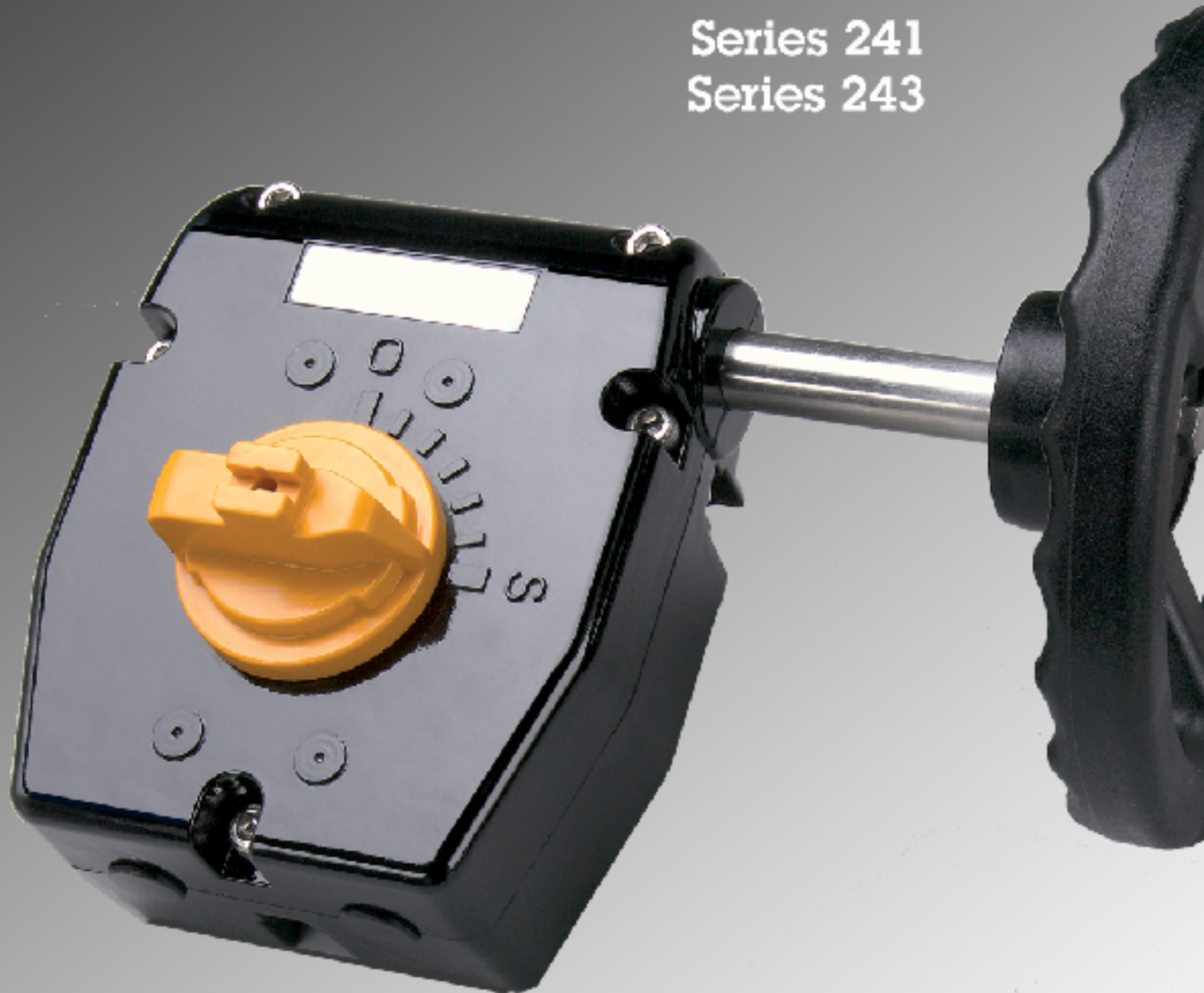


PLASGEAR[®]

COMPOSITE PLASTIC GEAR BOX

Series 241
Series 243



www.asahi-america.com

PLASGEAR®

New Composite Plastic Gear Box Eliminates Corrosion
Corrosion resistant plastic gearbox provides for a broader range of applications

Visible PP Position Indicator with O-Ring Seal

Composite Plastic Gear Box Housing
Superior corrosion resistance allows for applications such as severe chemicals and sea water

Stainless Steel Trim and Hardware

NAMUR Mounting Dimension
The industry standard (NAMUR) allows for mounting of accessories.

Rugged Gearing
100,000 cycles rated for service life

ISO Bolt Circle Dimension
For Valve Mounting
(ISO-5211: F07, F10&F14)

Plastic PPG Reinforced Hand Wheel
Corrosion resistant, integral grip design allows for easy operation

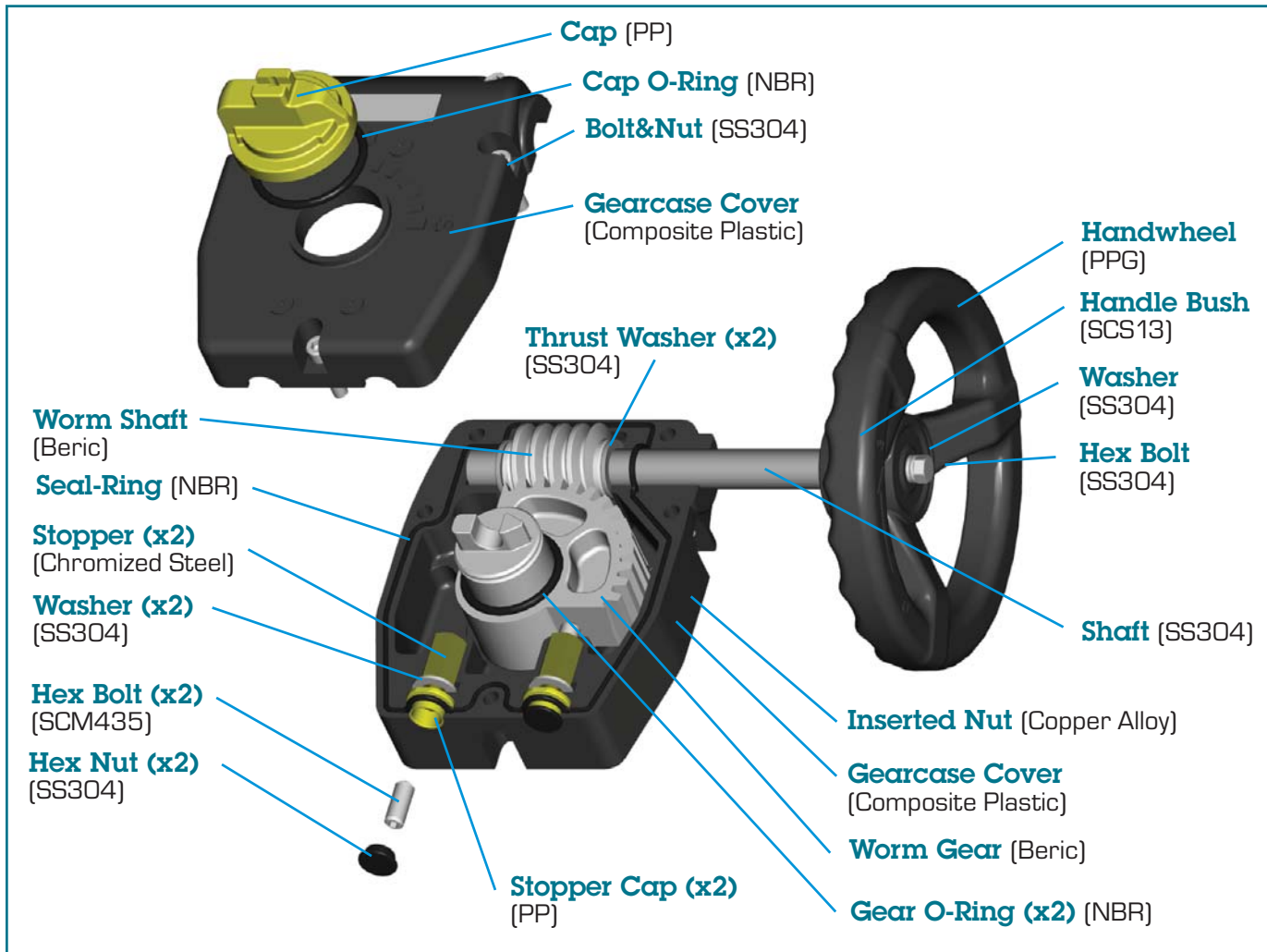
Adjustable Travel Stop for both open and close position
(90 +5°, -5°)

ASAHI/AMERICA

35 Green Street, P.O. Box 653, Malden, MA 02148 • Tel: 800-343-3618 • 781-321-5409 • Fax: 800-426-7058 • E-mail: asahi@asahi-america.com
Register at our interactive web site for on line ordering, product availability, order tracking, and many useful features: www.asahi-america.com

Rev. C 07-04

Parts



Corrosion Resistant

Specifications

SPECIFICATIONS		
Type	Series 241	Series 243
Max Output Torque	300 N-m (2,700 in-lbs)	900 N-m (8,000 in-lbs)
Mechanical Advantage	12	15
Max Input Torque	25 N-m (220 in-lbs)	60 N-m (530 in-lbs)
Max Input Handwheel Force	300 N (70 lbf)	400 N (90 lbf)
Gear Ratio	38 : 1	38 : 1
Gear Efficiency	32 %	39 %
Turn to Close	9.5	9.5
Adjustable Travel	90+5°, -5°	90+5°, -5°
Valve Mounting Flange (ISO 5211)	F07, F10	F14
Weight	5 lbs	18 lbs
Weather Resistance	IP67	IP67
Enclosure	0.2 barg (3 psig) Submersible	0.2 barg (3 psig) Submersible
Temperature	-20 to 120°C (-5 to 250°F)	-20 to 120°C (-5 to 250°F)
Rated Cycle Life	100,000 cycles	100,000 cycles

ASAHI/AMERICA

35 Green Street, P.O. Box 653, Malden, MA 02148 • Tel: 800-343-3618 • 781-321-5409 • Fax: 800-426-7058 • E-mail: asahi@asahi-america.com
 Register at our interactive web site for on line ordering, product availability, order tracking, and many useful features: www.asahi-america.com

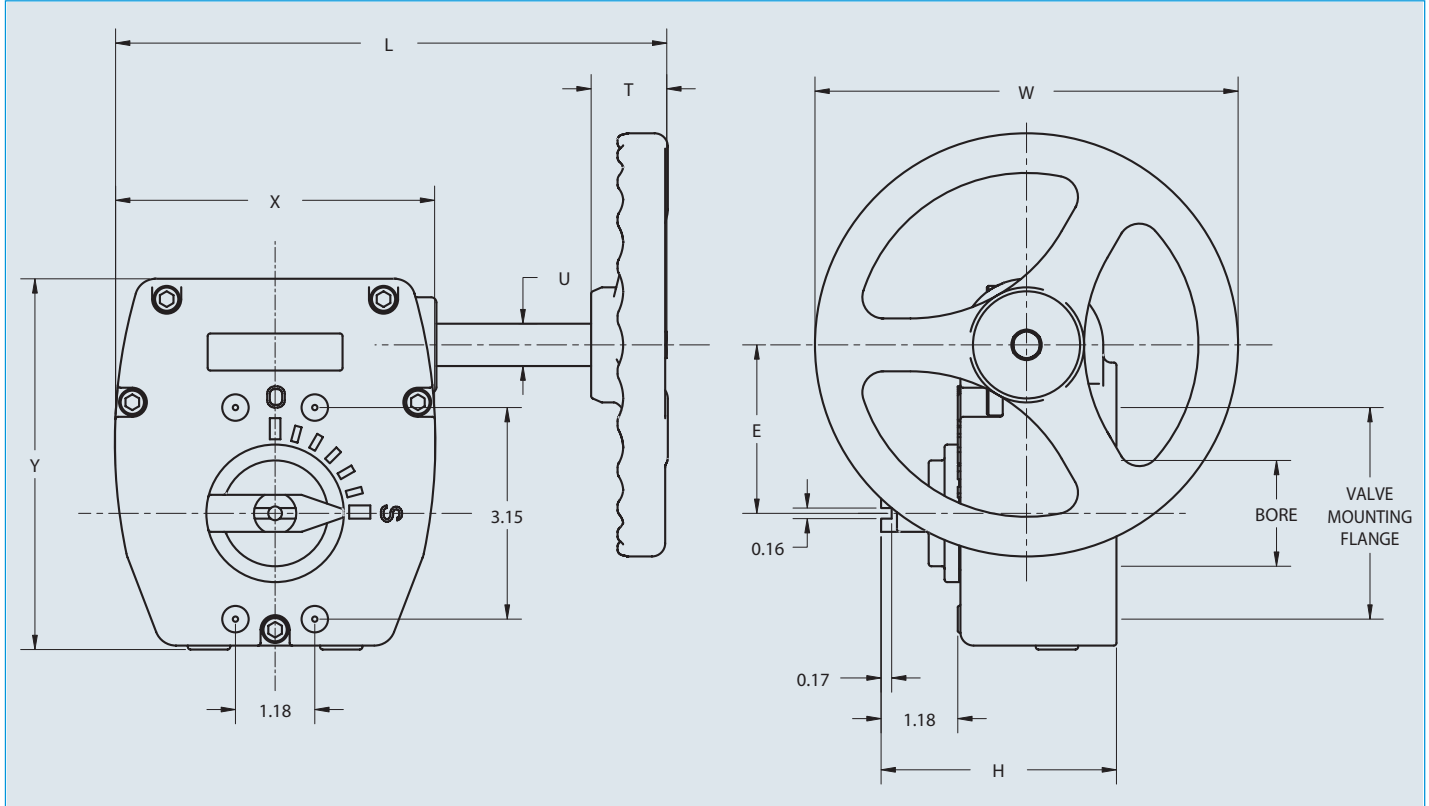
Rev. C 07-04

PLASGEAR®

First In the Industry

Drawings

Corrosion Resistant



Dimensions

Type	X	Y	L	U	T	E	H	W	Bore	
									Square	Depth
Series 241	4.80	6.00	8.97	0.63	1.85	2.52	3.58	6.30	0.98	1.40
Series 243	7.40	9.20	13.23	0.79	2.00	3.91	4.17	11.81	1.06	1.80

* Standard Square Couplings for Series 241 are available 11mm(0.433"), 14mm(0.551"), 17mm(0.669"), 19mm(0.748") and 22mm(0.866").

Valve Mounting Flange			
Type	Series 241		Series 243
ISO	F07	F10	F14
P.C.D	2.756	4.016	5.512
Threaded Size	M8 (5/16-18)	M10 (3/8-16)	M16 (5/8-11)
Number of Bolts	4	4	4

Options

- * 4-Nuts insert for Top Accessory
 - * Chain Operators
 - * Locking Device
 - * 2 inch Square Nut Operator
 - * Special Square Coupling
 - * Special Color Painted Housing
- (Based on Quantity)

Sample Specification

The gear operator shall be a worm gear design made of composite plastic housing, PP indicator and PPG handwheel. All plasgear shall have a visual position indicator and Namur standard dimensions for mounting accessories such as the limitswitch box. The plasgear shall have the ISO bolt pattern conforming to 5211/I - 5211/II for valve mounting.



ASAHI/AMERICA

35 Green Street, P.O. Box 653, Malden, MA 02148 • Tel: 800-343-3618 • 781-321-5409 • Fax: 800-426-7058 • E-mail: asahi@asahi-america.com
 Register at our interactive web site for on line ordering, product availability, order tracking, and many useful features: www.asahi-america.com

Rev. C 07-04