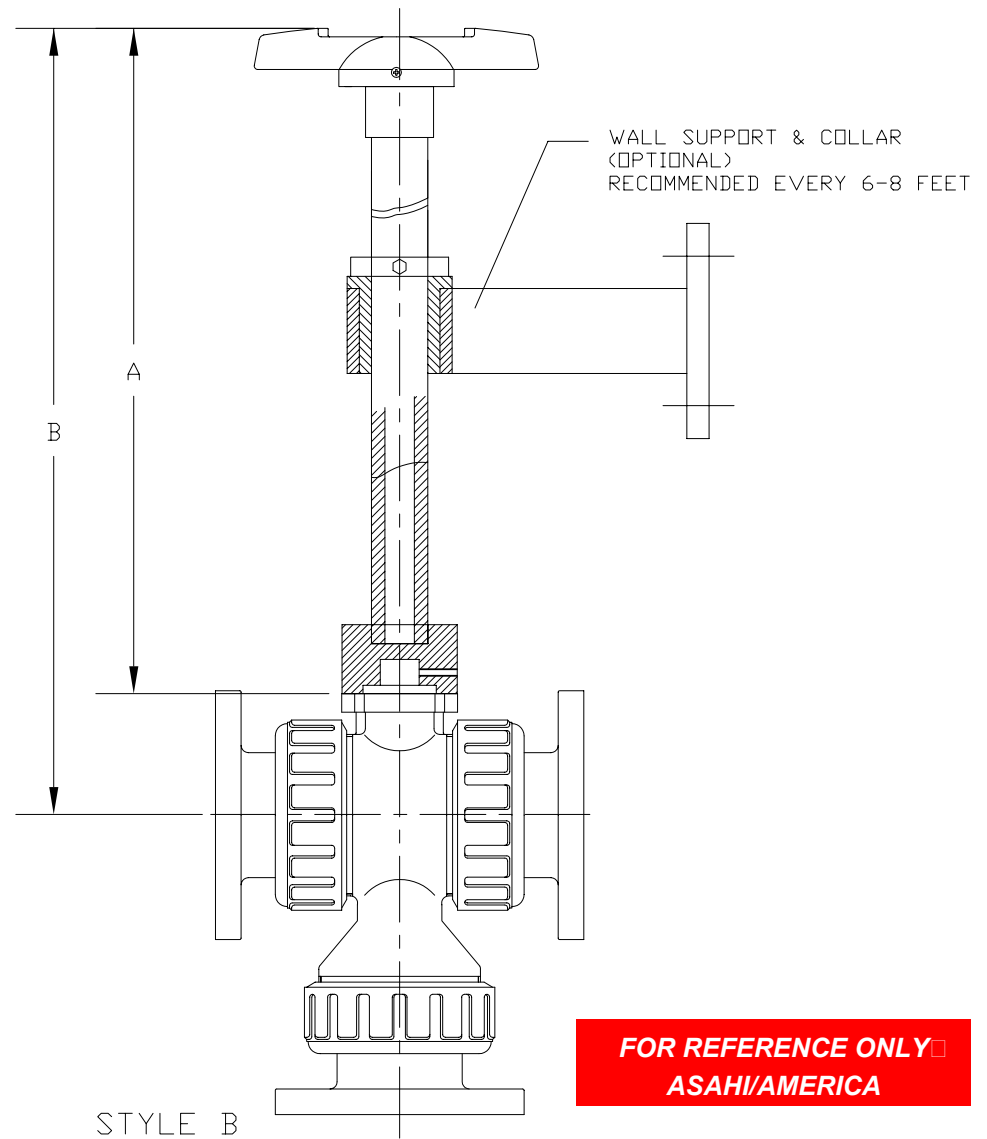


STYLE B

(1/2" THRU. 2", ONE PIECE, NON SUPPORTED)



STYLE B

(3" & 4", ONE PIECE, NON SUPPORTED)

FOR REFERENCE ONLY
ASAHI/AMERICA

DIMENSIONS TABLE UNIT: inch

DIMENSIONS	1/2" THRU. 2"	3" AND 4"
A		
B		

NOTE; 1) THE SHAPE AND APPEARANCE OF ASSEMBLY DIFFER A LITTLE WITH NOMINAL SIZE COMPARED TO THIS DRAWING.

- 2) FOR DETAILED VALVE DIMENSIONS, REFER TO DWG. NO. 0126BV, 0127BV, 0128BV.
 L-PORT : DWG. NO. 0126BV
 DOUBLE L-PORT : DWG. NO. 0127BV
 CROSS PORT : DWG. NO. 0128BV

THIS DRAWING AND ALL INFORMATION HEREON IS THE PROPERTY OF ASAHI/AMERICA. ANY COPYING, REPRODUCTION OR UNAUTHORIZED USE IS FORBIDDEN WITHOUT WRITTEN CONSENT.

NAME	DATE
DR KENICHI MIYAZAKI	1/28/03
APPD	
PROD	
WO#/SO#	
FILE	

ASAHI/AMERICA
 ISO 9001 CERTIFIED
 35 GREEN STREET, P.O. BOX 653, MALDEN, MA.



MULTI PORT BALL VALVE
 TYPE23 SINGLE STEM
 EXTENSIONS 1/2" THRU. 4"

SIZE A	DWG. NO. 0135BV	REV A
SCALE NTS	SHEET 1 OF 1	