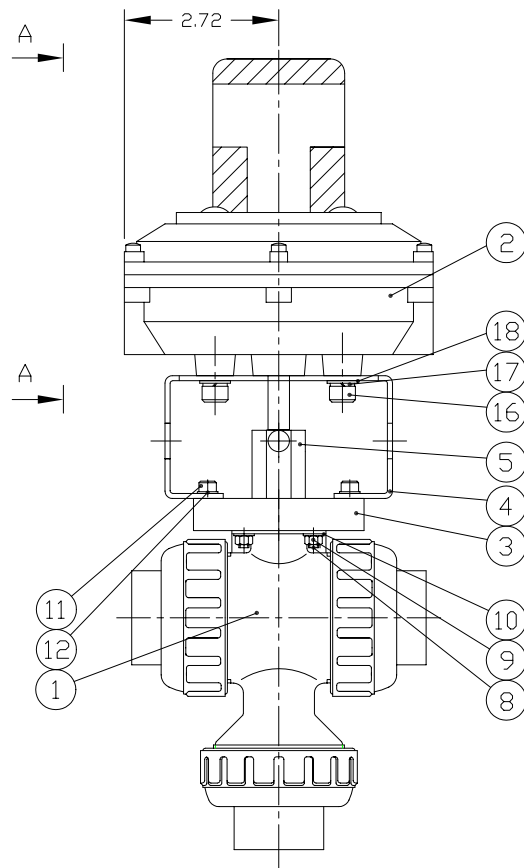
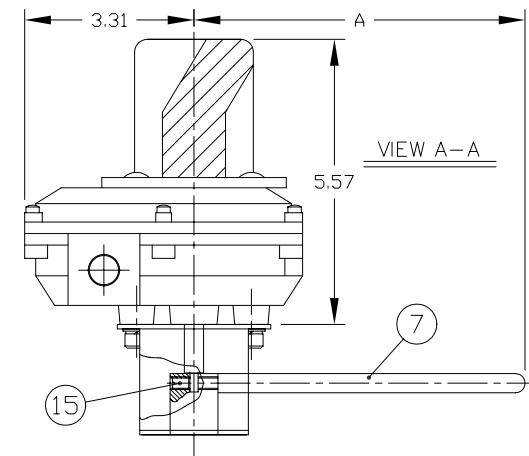
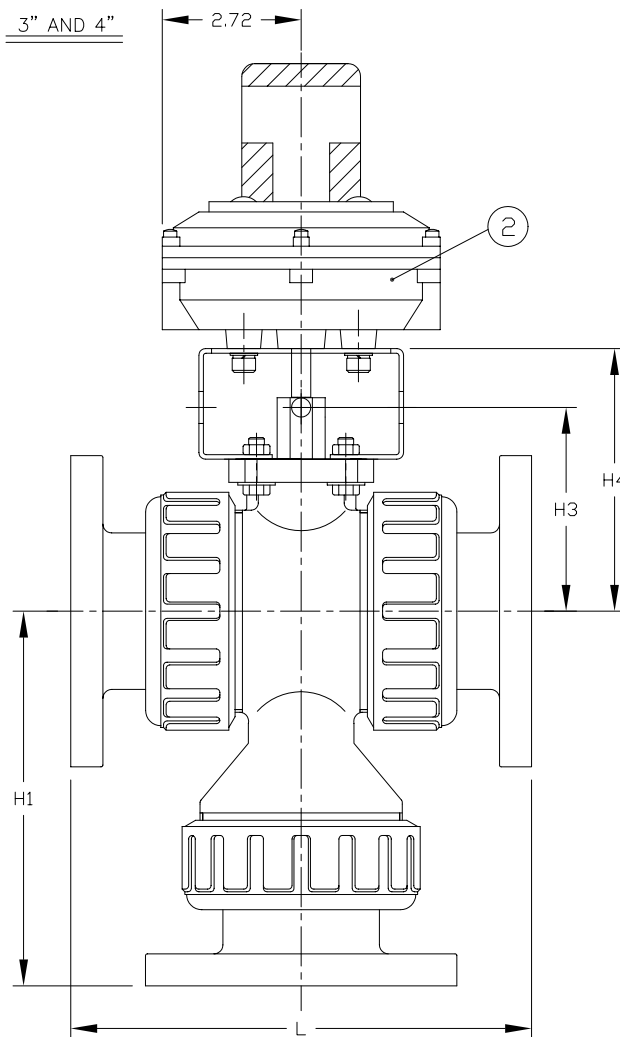


1/2" THRU. 2"



3" AND 4"



NOTE;

- 3) WESTLOCK LIMIT SWITCH BOX IS AVAILABLE IN NEMA IV OR NEMA VII ENCLOSURE
- 4) OPTIONAL MATERIAL: ALUMINUM (ANODIZED)
- 5) FOR SIZES 1/2" THRU 1" USE:  
BOLT M5x8-20LG, NUT M5x8, FLAT WASHER M5
- FOR SIZES 1-1/2" THRU 2" USE:  
BOLT M6x1.0-20LG, NUT M6x1.0, FLAT WASHER M6
- FOR SIZES 2-1/2" THRU 3" USE:  
BOLT M8x1.25-35LG, NUT M8x1.25, FLAT WASHER M8
- FOR SIZES 4" USE:  
BOLT M10x1.5-35LG, NUT M10x1.5, FLAT WASHER M10
- 6) FOR SIZES 1/2" THRU 2" ONLY USE

18	SPRING WASHER (5/16)	4	STAINLESS STEEL 303
17	FLAT WASHER (5/16)	4	STAINLESS STEEL 303
16	BOLT (5/16-18 0.5LG)	4	STAINLESS STEEL 303
15	SET-SCREW (10-32 0.25LG)	1	STAINLESS STEEL 303
12 <sup>6)</sup>	FLAT WASHER (M6)	8	STAINLESS STEEL 303
11 <sup>6)</sup>	BOLT (M6x1.0 30L)	4	STAINLESS STEEL 303
10 <sup>5)</sup>	FLAT WASHER	4	STAINLESS STEEL 303
9 <sup>5)</sup>	NUT	4	STAINLESS STEEL 303
8 <sup>5)</sup>	BOLT	4	STAINLESS STEEL 303
7 <sup>4)</sup>	HANDLE	1	STAINLESS STEEL 303
5 <sup>4)</sup>	COUPLING	1	STAINLESS STEEL 303
4	MOUNTING BRACKET	1	STAINLESS STEEL 303
3 <sup>6)</sup>	MOUNTING PLATE	1	PVC, PP, PVDF
2 <sup>3)</sup>	LIMIT SWITCH BOX	1	ZYTEL
1	MULTI-PORT BALL VALVE TYPE23	1	PVC,PP,CPVC,PVDF
ITEM	DESCRIPTION	QTY	MATERIAL

DIMENSIONS TABLE

UNIT: inch

NOMINAL SIZE	UNIT: inch															
				FLANGED		THREADED		SOCKET						SPIGOT (BUTT END)		
	H3	H4	A	H1	L	H1	L	PVC,CPVC		PP,PVDF (DIN)		PP,PVDF (IPS)		H1	L	
1/2"	15mm	2.57	3.72	6.42	3.70	5.63	2.89	4.02	3.08	4.45	2.80	3.90	3.09	4.45	3.27	4.88
3/4"	20	2.83	3.98	6.42	4.50	6.77	3.48	4.72	3.56	5.08	3.27	4.49	3.61	5.08	3.90	5.67
1"	25	3.10	4.25	6.42	5.24	7.36	4.13	5.16	4.32	5.75	3.94	4.84	4.37	5.75	4.53	6.06
1 1/2"	40	3.76	4.91	6.58	6.50	8.35	5.53	6.42	5.71	7.24	5.16	5.83	5.85	7.24	6.02	6.85
2"	50	4.21	5.36	6.58	7.34	9.21	6.61	7.76	6.66	8.23	6.06	6.93	6.76	8.23	7.01	8.82
3"	80	5.20	6.70	9.50	10.06	11.97	9.25	10.39	9.59	11.10	8.82	9.88	11.10	11.10	9.69	11.61
4"	100	6.46	7.96	10.25	12.01	14.65	11.77	14.17	11.58	13.90	10.98	12.20	14.37	14.37	11.85	12.72

NOTE; 1) THE SHAPE AND APPEARANCE OF ASSEMBLY DIFFER

A LITTLE WITH NOMINAL SIZE COMPARED TO THIS DRAWING.

- 2) FOR DETAILED VALVE DIMENSIONS, REFER TO DWG. NO. 0126BV, 0127BV, 0128BV.  
L-PORT : DWG. NO. 0126BV  
DOUBLE L-PORT : DWG. NO. 0127BV  
CROSS PORT : DWG. NO. 0128BV

**FOR REFERENCE ONLY**  
**ASAHI/AMERICA**

THIS DRAWING AND ALL INFORMATION HEREON IS THE PROPERTY OF ASAHI/AMERICA. ANY COPYING, REPRODUCTION OR UNAUTHORIZED USE IS FORBIDDEN WITHOUT WRITTEN CONSENT.

	NAME	DATE
DR	KENICHI MIYAZAKI	1/28/03
APPD	DAVE HURLEY	1/28/03
PROD	LEO LESTER	1/28/03
WO#/SO#		
FILE		

**ASAHI/AMERICA**

ISO 9001 CERTIFIED

35 GREEN STREET, P.O. BOX 653, MALDEN, MA.



MULTI PORT BALL VALVE  
TYPE23 MANUAL LIMIT  
SWITCHES 1/2" THRU. 4"

SIZE	A	DWG. NO.	0138BV	REV	A
SCALE	NTS		SHEET 1		OF 1