

MPV Sampling Valves

Dymatrix™



- Valve is rigidly bolted to body to prevent damage
- Inline sampling valve assembly eliminates dead leg and crevices
- Clean PTFE diaphragm material
- Poppet diaphragm close to mainline
- Proven Dymatrix™ MPV valve and bonnet technology
- Manual Push2Lock™ handle is easy to use

Specifications

Body Material: Purad® PVDF, PolyPure® natural and PP-Pure® pigmented

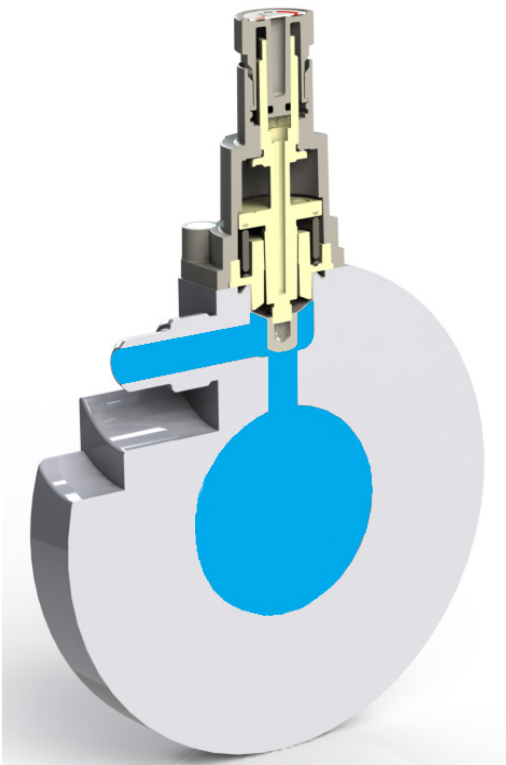
Diaphragm: PTFE

Seals: non-wetted FKM

Valve Outlet: 1/4", 3/8" and 1/2" in flare or female NPT

Valve Body Inline: 20 - 250mm (1/2" – 10") PVDF pipe in SDR21 and 33

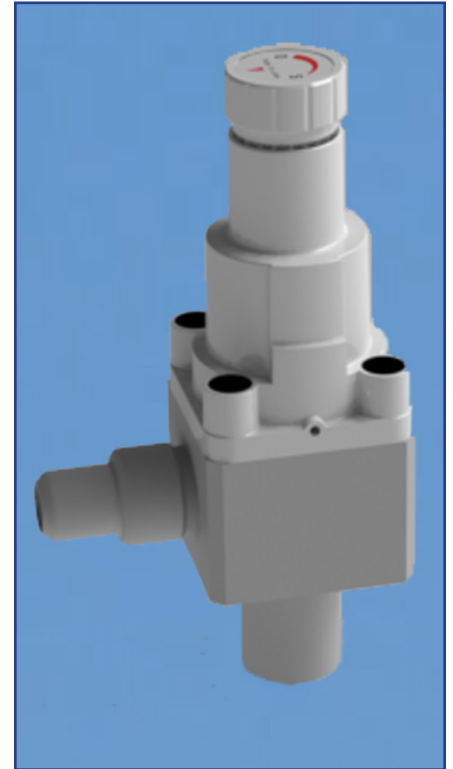
Valve Inlet 2-Way: 1/4", 3/8" and 1/2" in spigot or male NPT



MPV Sampling Valve Cross Section



MPV Inline Sampling Valve



MPV 2-Way Sampling Valve

