

Fast Pack - Valve/Actuator Packages

- Nine different styles
- Ships within **24 hours** from time of order!
- Electric or pneumatic actuators
- Ball or butterfly valve

Electric Fast Packs

Type-21 Ball Valves



Series 83



Series 94



Series 92



Series 94



Series 92

Pneumatic Fast Packs

Type-21 Ball Valves



Series 79 A-A



Series 79 A-S



Series 79 A-A



Series 79 A-S

Fast Pack - Valve/Actuator Packages

**SHIPS IN
24 HRS !**



Series 83/Type-21 Ball Valve

Standard Features (Sizes 1/2" - 2")

- PVC or CPVC Type-21 ball valve up to 2"
- 115 VAC thermally protected with single limit switch cam coupling activated
- Sealed weatherproof enclosure includes:
 - Flanged cover and base Type 4X rated enclosure with nitrile flat gasket seal
 - Nitrile O-ring or gasket valve to actuator base seal
 - Nitrile motor mounting bolt seals
 - NPT threaded to base 90° elbow provides 1/2" NPT conduit entry with 6" color coded wire leads
- Direct mounted valves - No mounting bracket required
- Sealed 90° cable entry elbow
- Captivated stainless steel hex head slotted cover screws
- Compact and low profile, ideal for OEM type installations

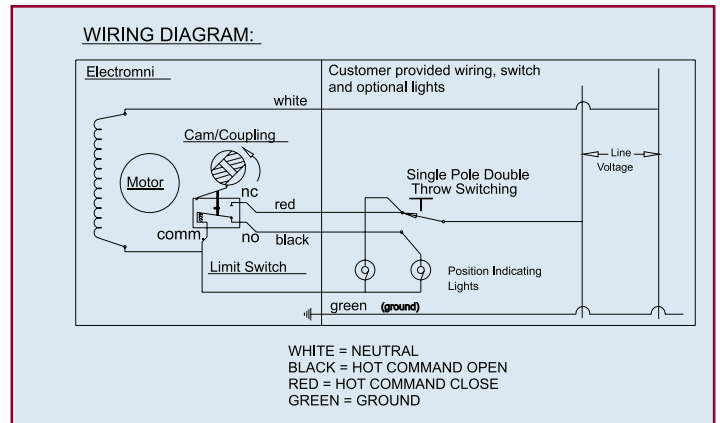
Engineering Data

Model	Torque (in./lbs.)	115 VAC		Cycle Time per 90 Degrees (Seconds)
		Amp	Duty	
		Draw	Cycle	
A83	120	2.1	25%	5

Note:

Amp rating is considered locked rotor
Duty cycle is for ambient temperature (73° F)

Wiring



Valve Type	Size	Actuation Model
Type-21 PVC/EPDM	1/2	A83
Type-21 PVC/EPDM	3/4	A83
Type-21 PVC/EPDM	1	A83
Type-21 PVC/EPDM	1-1/4	A83
Type-21 PVC/EPDM	1-1/2	A83
Type-21 PVC/EPDM	2	A83
	-	
Type-21 PVC/FKM	1/2	A83
Type-21 PVC/FKM	3/4	A83
Type-21 PVC/FKM	1	A83
Type-21 PVC/FKM	1-1/4	A83
Type-21 PVC/FKM	1-1/2	A83
Type-21 PVC/FKM	2	A83

Valve Type	Size	Actuation Model
Type-21 CPVC/EPDM	1/2	A83
Type-21 CPVC/EPDM	3/4	A83
Type-21 CPVC/EPDM	1	A83
Type-21 CPVC/EPDM	1-1/4	A83
Type-21 CPVC/EPDM	1-1/2	A83
Type-21 CPVC/EPDM	2	A83
	-	
Type-21 CPVC/FKM	1/2	A83
Type-21 CPVC/FKM	3/4	A83
Type-21 CPVC/FKM	1	A83
Type-21 CPVC/FKM	1-1/4	A83
Type-21 CPVC/FKM	1-1/2	A83
Type-21 CPVC/FKM	2	A83

Fast Pack - Valve/Actuator Packages

**SHIPS IN
24 HRS !**



Series 94/Type-57P Butterfly Valve

Standard Features (Sizes 1-1/2" - 4")

- UL-508 listed electric actuator
- Type-57P PVC body, PP disc, EPDM or FKM seals, wafer style
- 120 VAC capacitor-run reversing type motor
- Thermal overload protection with auto reset
- Declutchable manual override
- Visual position indicator
- Five second cycle time*
- Mechanical brake supplied as standard for 4" Type-57P butterfly valves
- Type 4X engineered resin enclosure
- RHM module [consists of 2-SPDT 8A relays/dry connects and heater and thermostat] [see page 71]
- Complete factory assembled and tested actuated valve package

**SHIPS IN
24 HRS !**



Series 94/Type-21 Ball Valve

Standard Features (Sizes 1/2" - 4")

- UL-508 listed electric actuator
- Type-21 PVC with EPDM or FKM seals, true union ball valve
- Type-21 1/2" - 2" supplied with both socket and threaded ends, 2-1/2" - 3" socket only
- 120 VAC capacitor-run reversing type motor
- Thermal overload protection with auto reset
- Declutchable manual override
- Visual position indicator
- Five second cycle time*
- Type 4X engineered resin enclosure
- RHM module [consists of 2-SPDT 8A relays/dry contacts and heater and thermostat] [see page 71]
- Complete factory assembled and tested actuated valve package

Valve Type	Size	Actuation Model	Input Voltage	L.R. Amps	Duty Cycle
Type-21	1/2 - 2	A94RHMW	120 VAC	0.5	100%
Type-21	2-1/2 - 3	B94RHMW	120 VAC	0.8	75%
Type-57P	1-1/2 - 2	A94RHMW	120 VAC	0.5	100%
Type-57P	2-1/2 - 3	B94RHMW	120 VAC	0.8	75%
Type-57P	4	B94BRHMW	120 VAC	0.8	75%

*Cycle times approximate. Duty cycle shown for ambient temp. (73° F)

Fast Pack - Valve/Actuator Packages

**SHIPS IN
24 HRS !**



Series 92/Type-57P Butterfly Valve

Standard Features (Sizes 1-1/2" - 8")

- UL-508 listed electric actuator
- Type-57P PVC body, PP disc, EPDM or FKM seals, wafer style
- 120 VAC capacitor-run reversing type motor
- Thermal overload protection with auto reset
- Declutchable manual override
- Visual beacon position indicator
- 15 second cycle time* 1-1/2" - 4", 32 second cycle time 6" and 8" Type-57
- Mechanical brake supplied as standard for 6" and 8" Type-57P
- Weatherproof enclosure rated Type 4X. with thermally bonded powder coat finish and stainless steel trim
- RHM module [consists of 2-SPDT 8A relays/dry contacts and heater and thermostat] [see page 71]
- PPG mounting bracket with 304 stainless steel coupling and hardware, 304 stainless steel mounting bracket, coupling and hardware sizes 6" and 8"
- Complete factory assembled and tested actuated valve package

**SHIPS IN
24 HRS !**



Series 92/Type-21 Ball Valve

Standard Features (Sizes 1/2" - 4")

- UL-508 listed electric actuator
- Type-21 PVC with EPDM or FKM seals, true union ball valve
- Type-21 1/2" - 2" supplied with both socket and threaded ends, 2-1/2" - 4" socket only
- 120 VAC capacitor-run reversing type motor
- Thermal overload protection with auto reset
- Declutchable manual override
- Visual beacon position indicator
- 15 second cycle time*
- Weatherproof enclosure rated Type 4X. with thermally bonded powder coat finish and stainless steel trim
- RHM module [consists of 2-SPDT 8A relays/dry contacts and heater and thermostat] [see page 71]
- PPG mounting bracket with 304 stainless steel coupling and hardware
- Complete factory assembled and tested actuated valve package

Valve Type	Size	Actuation Model	Input Voltage	L.R. Amps	Duty Cycle
Type-21	1/2 - 3	S92RHMW	120 VAC	0.5	100%
Type-21	4	A92RHMW	120 VAC	0.8	75%
Type-57P	1-1/2 - 4	S92RHMW	120 VAC	0.5	100%
Type-57P	6	B92BRRHMW	120 VAC	0.8	100%
Type-57P	8	C92BRRHMW	120 VAC	1.0	50%

*Cycle times approximate. Duty cycle shown for ambient temp. (73° F)

Fast Pack - Valve/Actuator Packages

**SHIPS IN
24 HRS !**



Series 79 A-A/Type-57P Butterfly

**SHIPS IN
24 HRS !**



Series 79 A-A/Type-21 Ball Valve

Standard Features (Sizes 1-1/2" - 8")

- Type-57P PVC body, PP disc, EPDM or FKM seals, wafer style
- Glass-filled polyamide actuator body with stainless steel trim 1-1/2" - 6" butterfly valves
- Aluminum body with three-stage coating size 8"
- Rack and pinion with dual opposed piston design
- Double-acting - air-to-open/air-to-close
- Namur mount design for solenoid and limit switch mounting
- 80psi supply air requirement
- Visual position indicator
- PPG mounting bracket with 304 stainless steel coupling and hardware
- 304 stainless steel mounting bracket, coupling and hardware butterfly valves size 8"
- Complete factory assembled and tested actuated valve package

Standard Features (Sizes 1-1/2" - 8")

- Type-21 PVC with EPDM or FKM seals true union ball valve
- Type-21 1/2" - 2" supplied with both socket and threaded ends, 2-1/2" - 4" socket only
- Glass-filled polyamide actuator body with stainless steel trim
- Rack and pinion with dual opposed piston design
- Double-acting - air-to-open/air-to-close
- Namur mount design for solenoid and limit switch mounting
- 80psi supply air requirement
- Visual position indicator
- PPG mounting bracket with 304 stainless steel coupling and hardware
- Complete factory assembled and tested actuated valve package

Valve Type	Size	Actuation Model
Type-21	1/2 - 2	AP79PN
Type-21	2-1/2 - 4	CP79PN
Type-57P	1-1/2 - 2-1/2	BP79PN
Type-57P	3 - 4	CP79PN
Type-57P	6	DP79PN
Type-57P	8	E79PAN

Fast Pack - Valve/Actuator Packages

**SHIPS IN
24 HRS !**



Series 79 A-S/Type-57P Butterfly Standard Features (Sizes 1-1/2" - 8")

- Type-57P PVC body, PP disc, EPDM or FKM seals wafer style
- All actuators supplied spring return air-to-open/ spring-to-close
- Glass-filled polyamide actuator body with stainless steel trim
1-1/2" - 4" butterfly valves
- Aluminum body with three-stage coating 6" and 8"
- Rack and pinion with dual opposed piston design
- Namur mount design for solenoid and limit switch mounting
- 80psi supply air requirement
- Visual position indicator
- PPG mounting bracket with 304 stainless steel coupling and hardware
- 304 stainless steel mounting bracket, coupling and hardware butterfly valves sizes 6" and 8"
- Complete factory assembled and tested actuated valve package

**SHIPS IN
24 HRS !**



Series 79 A-S/Type-21 Ball Valve Standard Features (Sizes 1/2" - 4")

- Type-21 PVC with EPDM or FKM seals, true union ball valve
- Type-21 1/2" - 2" supplied with both socket and threaded ends, 2-1/2" - 4" socket only
- All actuators supplied spring return air-to-open/ spring-to-close
- Glass-filled polyamide actuator body with stainless steel trim
- Rack and pinion with dual opposed piston design
- Namur mount design for solenoid and limit switch mounting
- 80psi supply air requirement
- Visual position indicator
- PPG mounting bracket with 304 stainless steel coupling and hardware
- Complete factory assembled & tested actuated valve package

Valve Type	Size	Actuation Model
Type-21	1/2 - 1	AP79PSN
Type-21	1-1/4 - 1-1/2	BP79PSN
Type-21	2 - 2-1/2	CP79PSN
Type-21	3 - 4	DP79PSN
Type-57P	1-1/2 - 2-1/2	CP79PSN
Type-57P	3 - 4	DP79PSN
Type-57P	6	E79PASN
Type-57P	8	F79PSN