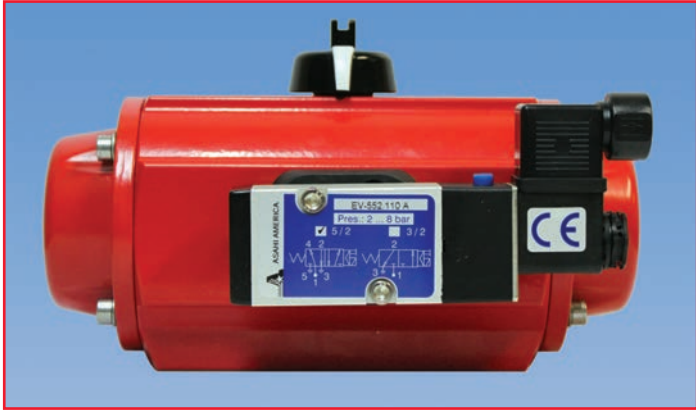


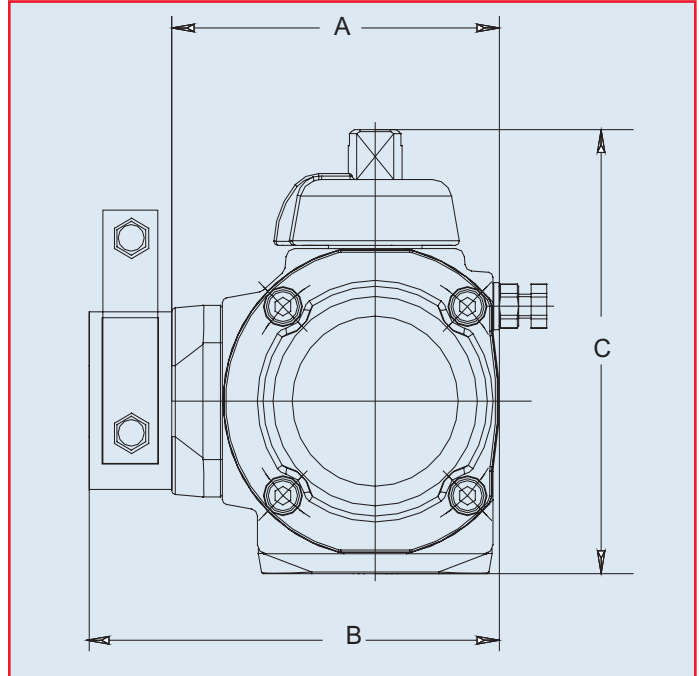
# P-Series General Purpose 115 VAC Solenoid



## P-Series General Purpose (IP65) NAMUR Mount 115 VAC Solenoid

### Standard Features

- Anodized aluminum body
- IP-65 protection
- NAMUR mount
- 1/4" FNPT air connection
- Combination three-way/four-way
- 1/2" FNPT conduit entry
- Manual override
- Speed controls
- Mufflers
- Low cost



### Dimensions (in.)

Model No.	A	B	C
A79PA	3.00	4.18	3.50
B79PA	3.31	4.49	4.02
B579PA	4.02	5.20	4.68
C79PA	4.08	5.26	4.85
C579PA	4.70	5.88	5.47
D79PA	5.00	6.18	5.79
D579PA	6.02	7.20	6.90
E79PA	6.65	7.83	7.52
F79P	8.90	10.67	10.71
G79PA	10.14	11.91	12.17
L79PA	13.57	15.34	14.49
M79PA	15.85	17.62	16.85