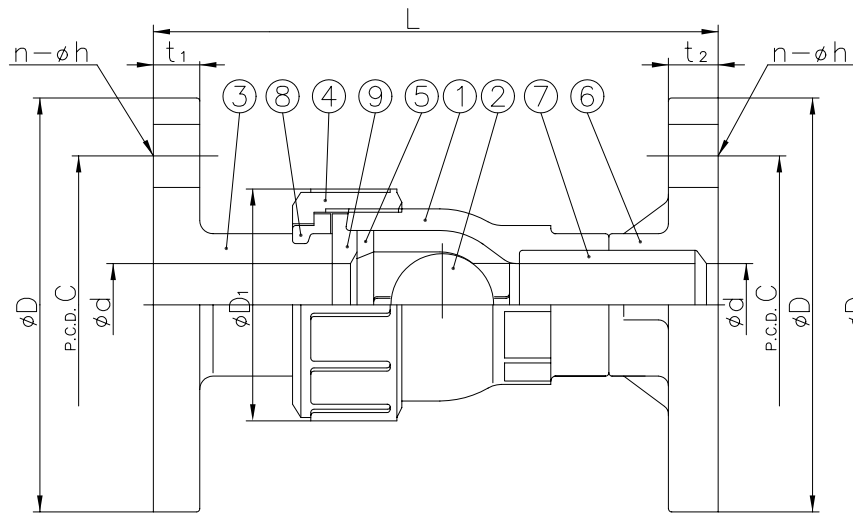
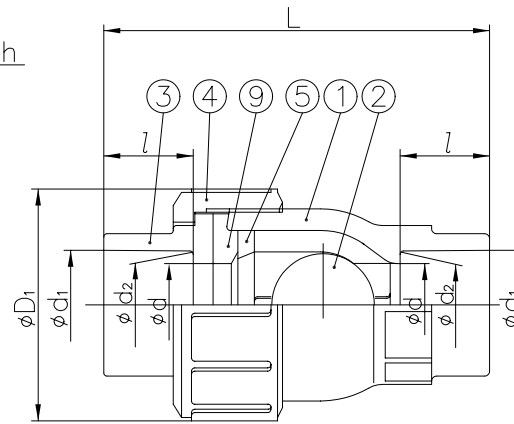


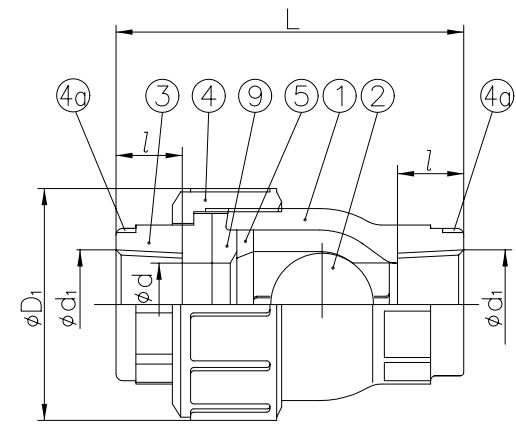
FLANGED END



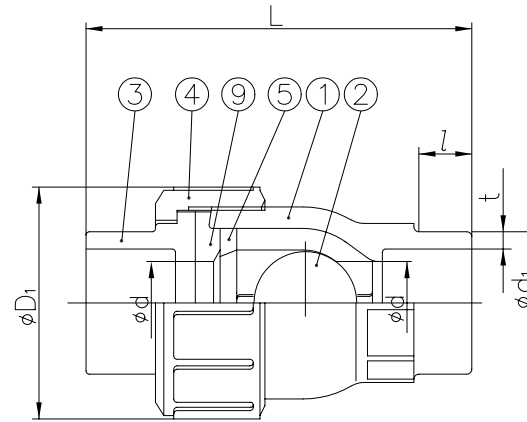
SOCKET END



THREADED END



SPIGOT END



FOR REFERENCE ONLY
ASAHI/AMERICA

DIMENSIONS TABLE

UNIT : inch

NOMINAL SIZE	FLANGE										SOCKET										
	ANSI Class 150					PVC, CPVC					PP, PVDF (DIN)			PP, PVDF (IPS)							
	d	D ₁	D	C	n	h	L	t ₁	t ₂	ASTM	SCH40	d ₁	d ₂	l	L	d ₁	d ₂	l	L		
3"	80	3.07	5.98	7.50	6.00	4	0.75	12.20	0.71	0.87	3.516	3.492	1.875	9.57	3.512	3.498	1.40	8.46	3.480	1.874	9.55
4	100	3.94	8.27	9.00	7.50	8	0.75	15.63	0.71	0.87	4.518	4.491	2.000	12.20	4.293	4.278	1.63	11.46	4.480	2.252	12.60

DIMENSIONS TABLE

UNIT : inch

NOMINAL SIZE	THREAD			SPIGOT (BUTT END)					
				PP, PVDF					
	d ₁	l	L	DIN 3442	PP	PVDF	t	t	L
3"	80	3-8 NPT	1.38	8.74	3.543	1.496	0.323	0.169	11.67
4	100	4-8 NPT	1.77	12.09	4.331	1.752	0.394	0.209	13.93

NOTE. The shape and appearance of assembly differ a little with nominal size compared to this drawing.

No.	DESCRIPTION	No.REQ'D	MATERIAL	REMARKS
9	SEAT	1	<input type="checkbox"/> EPDM <input type="checkbox"/> FKM <input type="checkbox"/> Others()	¹⁾ Used for Flanged End
8	STOP RING(B) ¹⁾	1	PVDF	
7	PIPE	1	FLANGE	THREAD, SOCKET
6	TS FLANGE	1	<input type="checkbox"/> PVC	<input type="checkbox"/> PVC
5	STOP RING(A)	1		<input type="checkbox"/> CPVC
4	UNION NUT	1	<input type="checkbox"/> CPVC	<input type="checkbox"/> PP
3	END CONNECTOR	1	<input type="checkbox"/> PVDF	<input type="checkbox"/> PVDF
2	BALL	1		
1	BODY	1		

THIS DRAWING AND ALL INFORMATION HEREON IS THE PROPERTY OF ASAHI/AMERICA. ANY COPYING, REPRODUCTION OR UNAUTHORIZED USE IS FORBIDDEN WITHOUT WRITTEN CONSENT.

ASAHI/AMERICA

ISO 9001 CERTIFIED

35 GREEN STREET, P.O. BOX 653, MALDEN, MA.



BALL CHECK VALVE
SINGLE TRUE UNION
3" THRU 4"

	NAME	DATE
DR	KENICHI MIYAZAKI	8/28/02
APPD	DAVE HURLEY	8/28/02
PROD	LEO LESTER	8/28/02
WO#/CO#		
FILE		

SIZE	DWG. NO.	REV
A	0035CH	C
SCALE	NTS	SHEET 1 OF 1