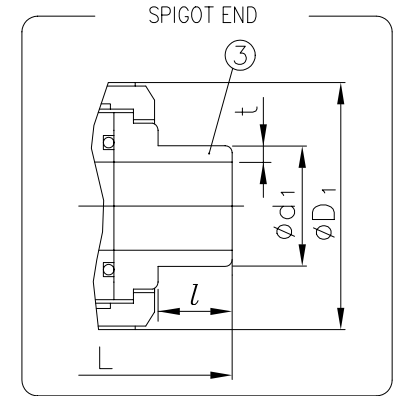
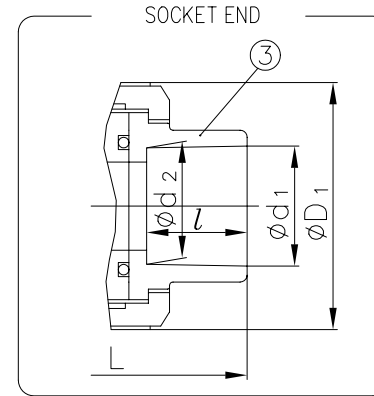
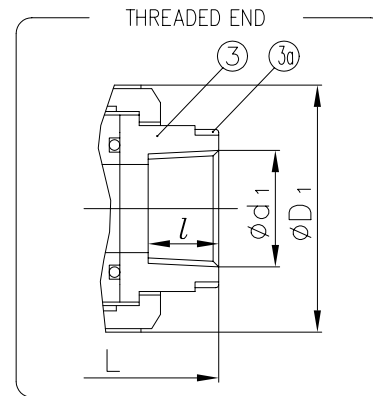
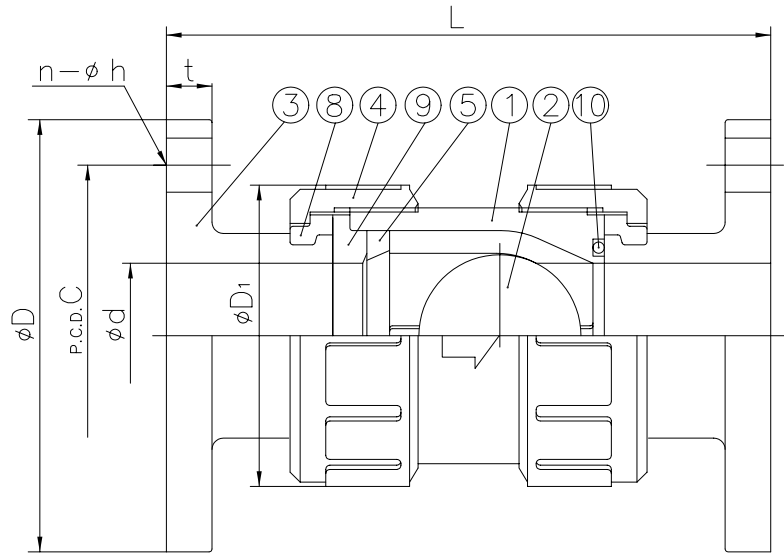


FLANGED END



**FOR REFERENCE ONLY**  
**ASAHI/AMERICA**

DIMENSIONS TABLE UNIT : inch

NOMINAL SIZE	FLANGE						THREAD					d	D <sub>1</sub>
	ANSI Class150				L	t	d <sub>1</sub>	l	L	d			
	D	C	n	h									
1/2" 15 <sup>mm</sup>	3.50	2.38	4	0.62	5.12	0.47	1/2- 14 NPT	0.59	3.39	0.59	1.89		
3/4 20	3.88	2.75	4	0.62	6.10	0.55	3/4- 14 NPT	0.67	4.06	0.79	2.36		
1 25	4.25	3.12	4	0.62	6.50	0.55	1 - 11 1/2 NPT	0.79	4.45	0.98	2.76		
1 1/4 30	—	—	—	—	—	—	1 1/4 - 11 1/2 NPT	0.87	5.00	1.22	3.78		
1 1/2 40	5.00	3.88	4	0.62	7.56	0.63	1 1/2 - 11 1/2 NPT	0.98	5.94	1.57	3.78		
2 50	6.00	4.75	4	0.75	8.43	0.63	2 - 11 1/2 NPT	1.10	6.97	2.01	4.17		

DIMENSIONS TABLE UNIT : inch

NOMINAL SIZE	SOCKET												SPIGOT (BUTT END)				
	PVC, CPVC				PP, PVDF (DIN)				PP, PVDF (IPS)				PP, PVDF				
	ASTM SCH40		l	L	DIN 16962			L	d <sub>1</sub>	l	L	DIN 3442		t	t	L	
	d <sub>1</sub>	d <sub>2</sub>			d <sub>1</sub>	d <sub>2</sub>	l					d <sub>1</sub>	l				
1/2" 15 <sup>mm</sup>	0.848	0.836	0.688	3.43	0.768	0.760	0.57	3.19	0.83	0.87	3.31	0.787	0.728	0.098	0.075	4.00	
3/4 20	1.058	1.046	0.719	3.86	0.965	0.957	0.63	3.70	1.03	1.00	4.43	0.984	0.866	0.106	0.075	4.35	
1 25	1.325	1.310	0.875	4.37	1.240	1.232	0.71	4.13	1.30	1.13	4.35	1.260	0.886	0.118	0.094	4.75	
1 1/4 30	1.670	1.655	0.938	4.92	—	—	—	—	—	—	—	—	—	—	—	—	
1 1/2 40	1.912	1.894	1.094	5.94	1.947	1.937	0.93	5.62	1.89	1.37	5.57	1.969	1.260	0.181	0.118	5.75	
2 50	2.387	2.369	1.156	6.77	2.461	2.445	1.08	6.69	2.36	1.50	6.49	2.480	1.417	0.228	0.118	6.50	

NOTE. The shape and appearance of assembly differ a little with nominal size compared to this drawing.

3a	RING <sup>1)</sup>	2	STAINLESS STEEL 304	1) CPVC Body, Threaded End : Used for 1/2" ~ 1"
10	O-RING	1	□EPDM	
9	SEAT	1	□FKM □Others ( )	2) Used for Flanged End
8	STOP RING(B) <sup>2)</sup>	1	PVDF	
5	STOP RING(A)	1	□PVC □CPVC □PP □PVDF	
4	UNION NUT	1		
3	END CONNECTOR	1		
2	BALL	1		
1	BODY	1		
No.	DESCRIPTION	No.REQ'D	MATERIAL	REMARKS

THIS DRAWING AND ALL INFORMATION HEREON IS THE PROPERTY OF ASAHI/AMERICA. ANY COPYING, REPRODUCTION OR UNAUTHORIZED USE IS FORBIDDEN WITHOUT WRITTEN CONSENT.

**ASAHI/AMERICA**

ISO 9001 CERTIFIED  
35 GREEN STREET, P.O. BOX 653, MALDEN, MA.



BALL CHECK VALVE  
DOUBLE TRUE UNION  
1/2" THRU 2"

DR	KENICHI MIYAZAKI	8/28/02
APPD	DAVE HURLEY	8/28/02
PROD	LEO LESTER	8/28/02
WO#/CO#		
FILE		

SIZE	A	DWG. NO.	0015CH	REV	E
SCALE	NTS		SHEET 1 OF 1		