

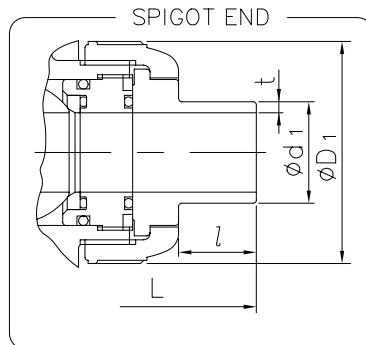
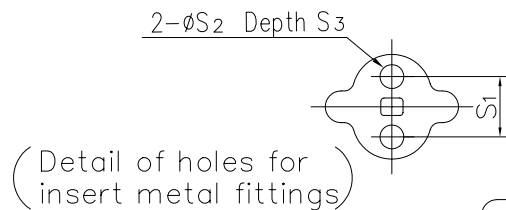
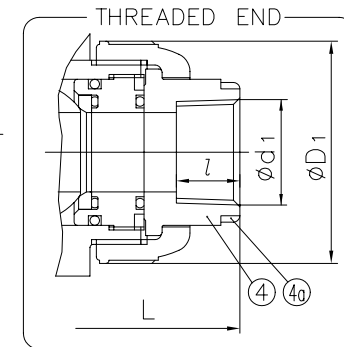
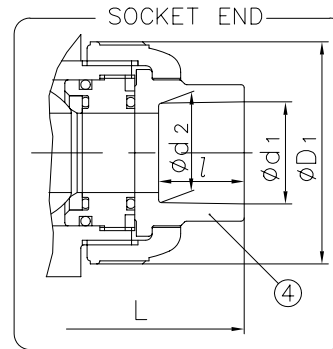
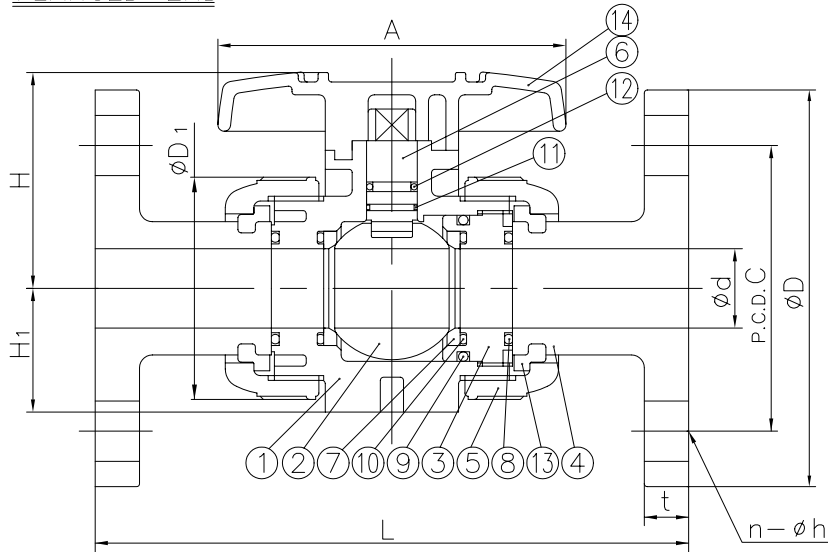
DIMENSIONS TABLE

UNIT: INCH

NOMINAL SIZE	d	FLANGED						SOCKET												THREADED				SPIGOT (BUTT END)										
		ANSI CLASS 150						PVC, CPVC			PP, PVDF (DIN)			PP, PVDF (IPS)			D ₁	H	H ₁	A	PP, PVDF													
		D	C	n	h	L	t	ANSI SCH80			DIN 16962			d ₁	l	L					DIN 3442			S ₁	S ₂	S ₃								
								d ₁	d ₂	l	L	d ₁	d ₂								l	L	d ₁				l	L						
1/2"	15	0.59	3.50	2.38	4	0.62	5.63	0.47	0.848	0.836	0.875	4.45	0.768	0.760	0.57	3.90	0.83	0.87	4.45	1/2 -14 NPT	0.59	4.02	1.89	2.03	1.14	3.62	0.787	0.728	0.098	0.075	4.882	0.75	0.29	0.43
3/4"	20	0.79	3.88	2.75	4	0.62	6.77	0.55	1.058	1.046	1.000	5.08	0.965	0.957	0.63	4.49	1.03	1.00	5.08	3/4 -14 NPT	0.67	4.72	2.36	2.34	1.38	3.94	0.984	0.866	0.106	0.075	5.670	0.75	0.29	0.43
1"	25	0.98	4.25	3.12	4	0.62	7.36	0.55	1.325	1.310	1.125	5.75	1.240	1.232	0.71	4.84	1.30	1.13	5.75	1 -11 1/2 NPT	0.79	5.16	2.76	2.68	1.54	4.33	1.260	0.886	0.118	0.094	6.063	0.75	0.29	0.43
1 1/4"	32	1.26	4.62	3.50	4	0.62	7.48	0.63	1.670	1.655	1.250	6.46	1.553	1.543	0.81	5.47	1.65	1.25	6.46	1 1/4 -11 1/2 NPT	0.87	5.91	3.23	3.17	1.85	4.76	1.575	1.024	0.146	0.094	6.850	1.18	0.35	0.59
1 1/2"	40	1.57	5.00	3.88	4	0.62	8.35	0.63	1.912	1.894	1.375	7.24	1.947	1.937	0.93	5.83	1.89	1.37	7.24	1 1/2 -11 1/2 NPT	0.98	6.42	3.94	3.50	2.17	5.16	1.969	1.260	0.181	0.118	7.638	1.18	0.35	0.59
2"	50	2.01	6.00	4.75	4	0.75	9.21	0.63	2.387	2.369	1.500	8.23	2.461	2.445	1.08	6.93	2.36	1.50	8.23	2 -11 1/2 NPT	1.10	7.76	4.96	4.04	2.60	6.26	2.480	1.417	0.228	0.118	8.819	1.18	0.35	0.59

NOTE. The shape and appearance of assembly differ a little with nominal size compared to this drawing.

FLANGED END



**FOR REFERENCE ONLY
ASAHI/AMERICA**

No.	DESCRIPTION	No.REQ'D	MATERIAL	REMARKS
4a	RING	2	STAINLESS STEEL 304	Used for CPVC Body. Threaded End : 1/2"~1"
14	HANDLE	1	ABS	
13	STOP RING	2	PVDF	Used for Flanged End
12	O-RING (E)	1	□EPDM	
11	O-RING (D)	1	□FKM	
10	O-RING (C)	2	□Others ()	
9	O-RING (B)	1		
8	O-RING (A)	2		
7	SEAT	2	PTFE	
6	STEM	1	□PVC	
5	UNION NUT	2	□CPVC	
4	END CONNECTOR	2	□PP	
3	CARRIER	1	□PVDF	
2	BALL	1		
1	BODY	1		

THIS DRAWING AND ALL INFORMATION HEREON IS THE PROPERTY OF ASAHI/AMERICA. ANY COPYING, REPRODUCTION OR UNAUTHORIZED USE IS FORBIDDEN WITHOUT WRITTEN CONSENT.

NAME	DATE
DR KENICHI MIYAZAKI	8/26/02
APPD DAVE HURLEY	8/26/02
PROD LEO LESTER	8/26/02
WO#/CO#	
FILE	

ASAHI/AMERICA
ISO 9001 CERTIFIED
35 GREEN STREET, P.O. BOX 653, MALDEN, MA.

TRUE UNION BALL VALVE
TYPE 21
1/2" THRU 2"

SIZE A	DWG. NO. 0049BV	REV D
SCALE NTS	SHEET 1 OF 1	