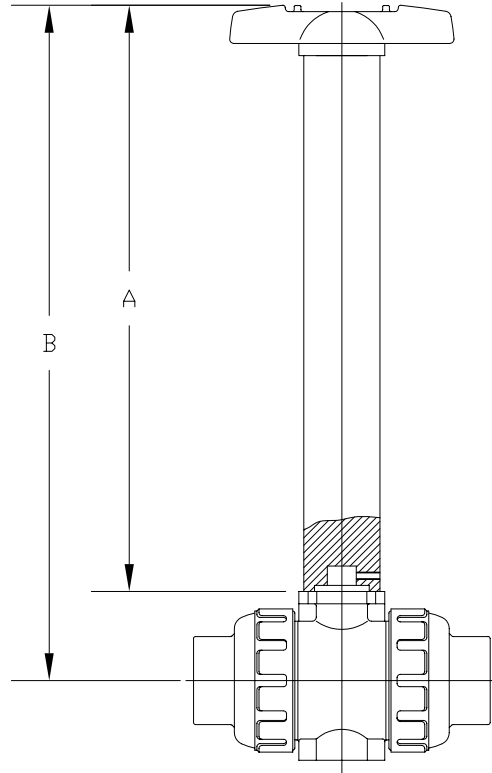
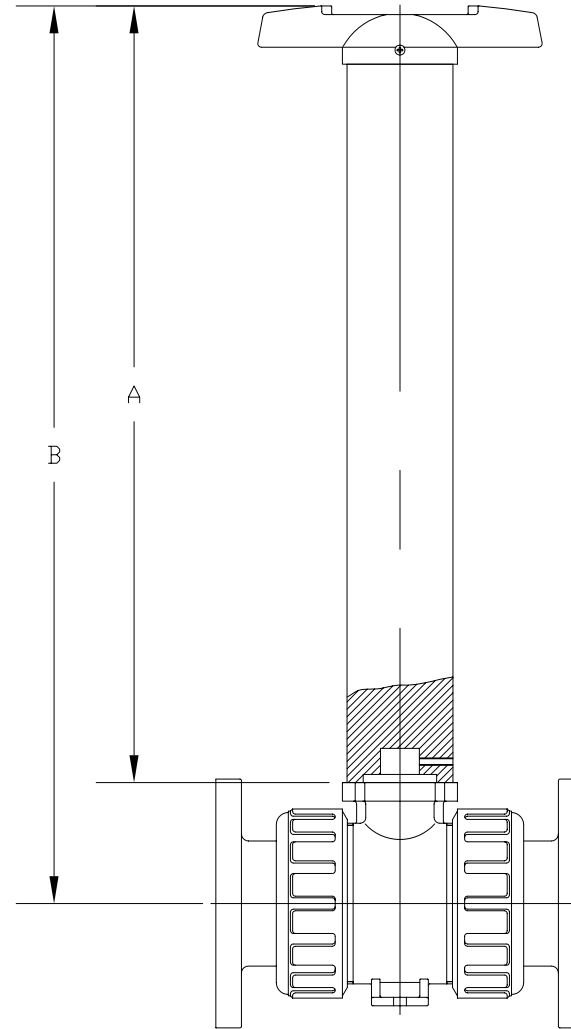


FOR REFERENCE ONLY
ASAHI/AMERICA



STYLE BV-P
 (1/2" THRU. 2", PANEL MOUNT)



STYLE BV-P
 (2-1/2" AND 3", PANEL MOUNT)

DIMENSIONS TABLE UNIT: inch

DIMENSIONS	1/2" THRU. 2"	2-1/2" AND 3"
A		
B		

NOTE: 1. The shape and appearance of assembly differ a little with nominal size compared to this drawing.

THIS DRAWING AND ALL INFORMATION HEREON IS THE PROPERTY OF ASAHI/AMERICA. ANY COPYING, REPRODUCTION OR UNAUTHORIZED USE IS FORBIDDEN WITHOUT WRITTEN CONSENT.		ASAHI/AMERICA ISO 9001 CERTIFIED 35 GREEN STREET, P.O. BOX 653, MALDEN, MA.		
		BALL VALVE TYPE21 PANEL MOUNT EXTENSIONS 1/2" THRU. 3"		
	NAME	DATE		
DR	KENICHI MIYAZAKI	9/24/01		
APPD	DAVE HURLEY	5/21/03		
PROD	LEO LESTER	5/21/03		
WO#/SO#			SIZE A	DWG. NO. 0027BV
FILE			SCALE NTS	REV B
			SHEET <u>1</u> OF <u>1</u>	