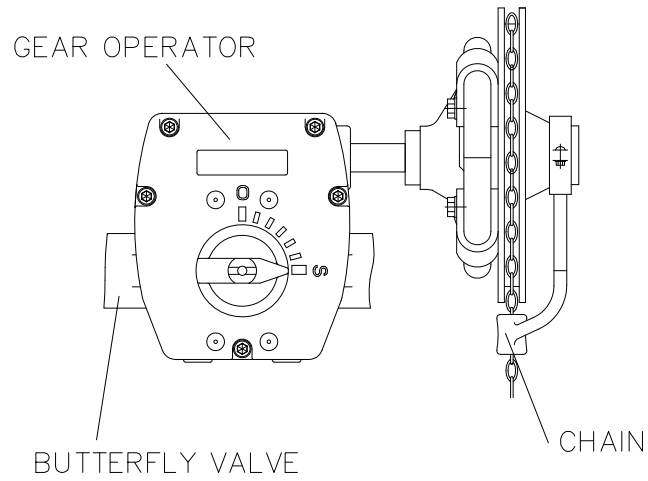
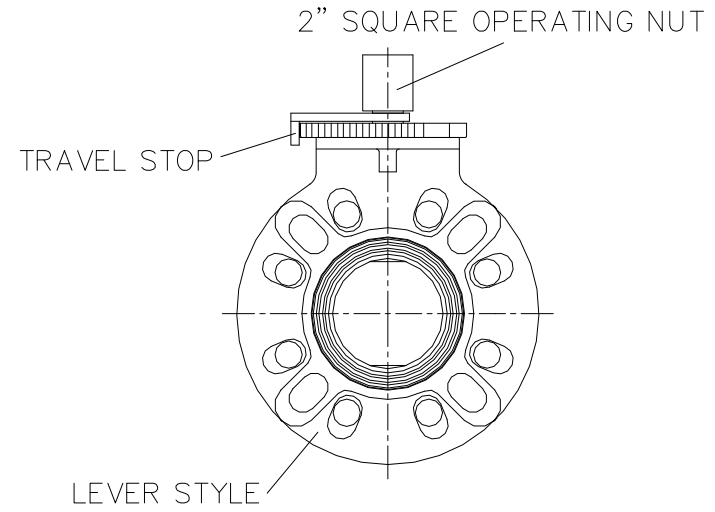


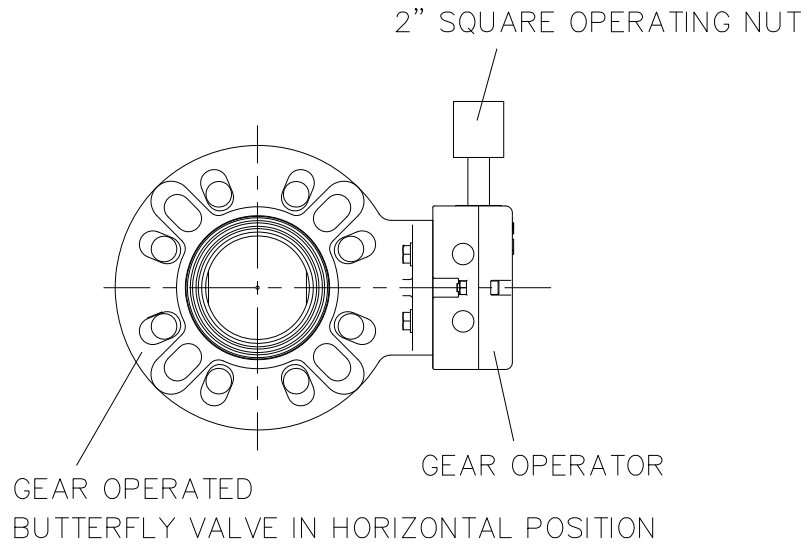
□ CHAIN OPERATORS



□ OPERATING NUTS




□ OPERATING NUTS



**FOR REFERENCE ONLY
ASAHI/AMERICA**

NOTE. The shape and appearance of assembly differ a little with nominal size compared to this drawing.

THIS DRAWING AND ALL INFORMATION HEREON IS THE PROPERTY OF ASAHI/AMERICA. ANY COPYING, REPRODUCTION OR UNAUTHORIZED USE IS FORBIDDEN WITHOUT WRITTEN CONSENT.			ASAHI/AMERICA ISO 9001 CERTIFIED 35 GREEN STREET, P.O. BOX 653, MALDEN, MA.		
			BUTTERFLY VALVE TYPE57 REMOTE OPERATORS 1-1/2" THRU. 14"		
DR	JOHN GLASSFORD	6/8/05	SIZE	DWG. NO.	REV
APPD	DAVE HURLEY	6/8/05	A	0201BF57	B
PROD	LED LESTER	6/8/05			
WO#/CO#			SCALE		
FILE			NTS		SHEET 1 OF 1