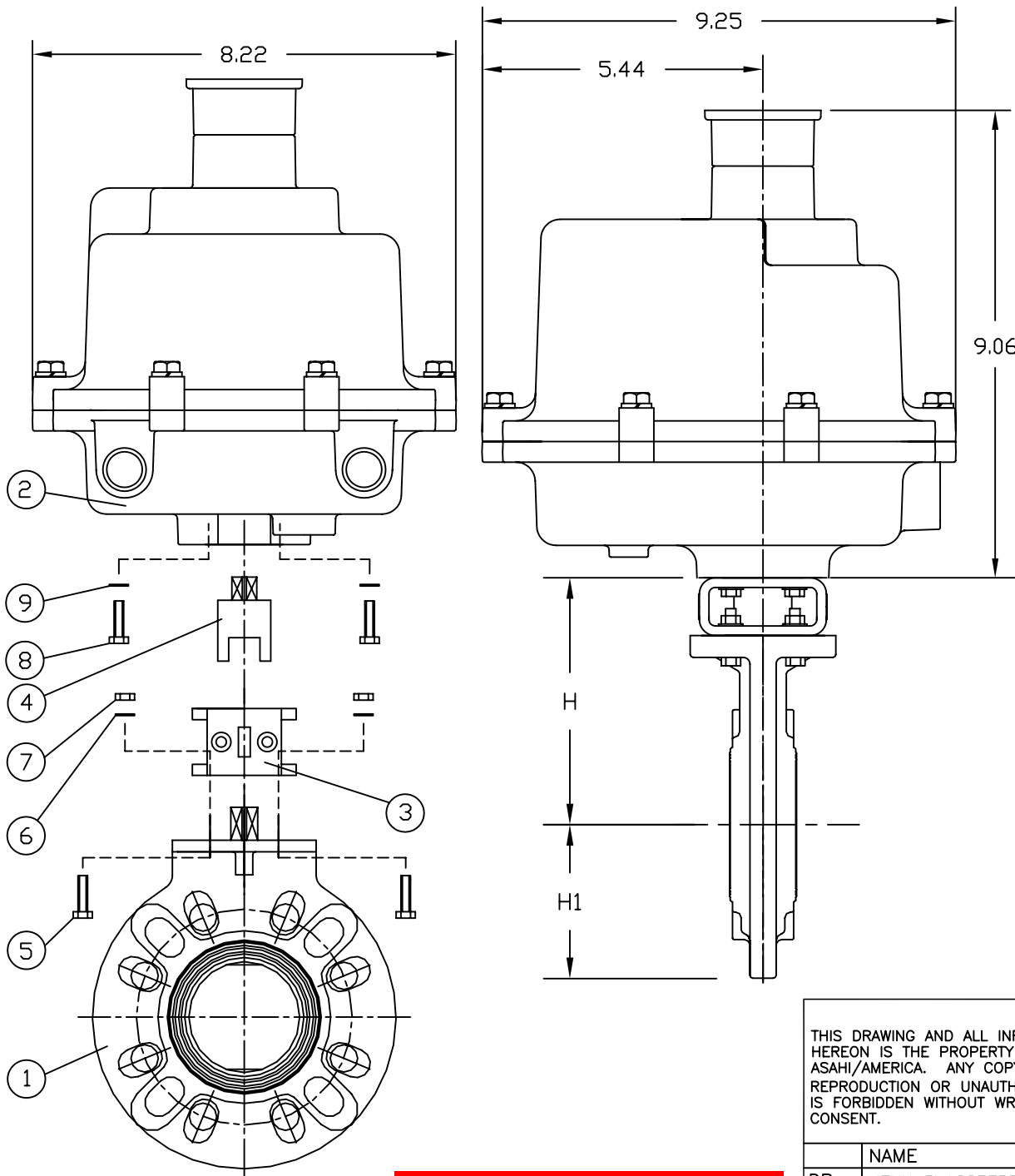


UNIT: INCH



VALVE SIZE	1-1/2"	2"	2-1/2"	3"	4"	5"	6"
H	5.51	5.75	6.18	6.46	7.16	8.46	8.97
H1	2.95	3.27	3.66	3.94	4.53	5.00	5.63

NOTE: 1.The shape and appearance of assembly differ a little with nominal size compared to this drawing.
 2. For 1-1/2" thru. 4" Mounting Bracket : F7 x F05,F07
 For 5" and 6" Mounting Bracket : F10 x F07,F10

9	FLAT WASHER (M8.0)	STAINLESS STEEL	4
8	BOLT (M8.0x1.25-16LG)	STAINLESS STEEL	4
7	NUT (FOR 1-1/2" THRU. 4" : M8.0x1.25) (FOR 5" AND 6" : M10.0x1.50)	STAINLESS STEEL	4
6	FLAT WASHER (FOR 1-1/2" THRU. 4" : M8.0) (FOR 5" AND 6" : M10.0)	STAINLESS STEEL	8
5	BOLT (FOR 1-1/2" THRU. 4" : M8.0x1.25-35LG) (FOR 5" AND 6" : M10.0x1.50-40LG)	STAINLESS STEEL	4
4	COUPLING	STAINLESS STEEL 303	1
3	MOUNTING BRACKET	PPG	1
2	ACTUATOR SERIES 92	EPOXY COATED ALUMINUM	1
1	BUTTERFLY VALVE TYPE 57	U-PVC,PP,PVDF	1
ITEM	DESCRIPTION	MATERIAL	QTY

FOR REFERENCE ONLY
ASAHI/AMERICA

THIS DRAWING AND ALL INFORMATION HEREON IS THE PROPERTY OF ASAHI/AMERICA. ANY COPYING, REPRODUCTION OR UNAUTHORIZED USE IS FORBIDDEN WITHOUT WRITTEN CONSENT.

	NAME	DATE
DR	JOHN GLASSFORD	6/13/05
APPD	DAVE HURLEY	6/13/05
PROD	LED LESTER	6/13/05
WO#/CO#		
FILE		

ASAHI/AMERICA

ISO 9001 CERTIFIED
 35 GREEN STREET, P.O. BOX 653, MALDEN, MA.



BUTTERFLY VALVE TYPE57
 SERIES92 ELECTRIC ACTUATOR
 1-1/2" THRU 6"

SIZE	A	DWG. NO.	0200BF57	REV	A
SCALE	NTS		SHEET 1 OF 1		