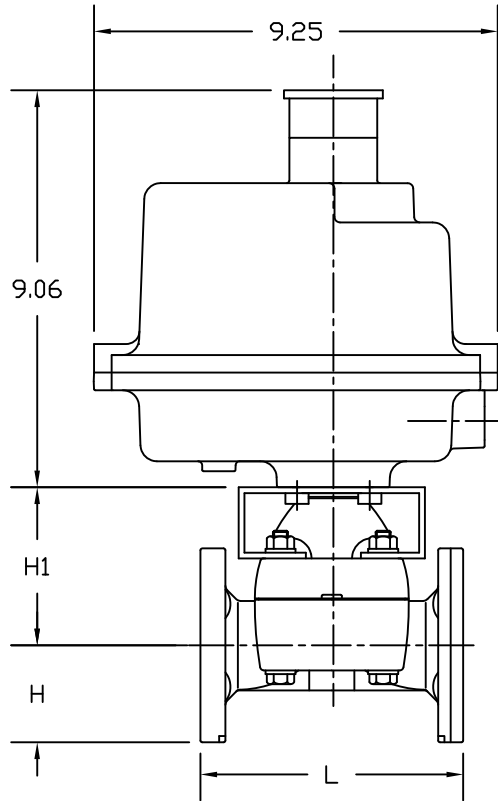
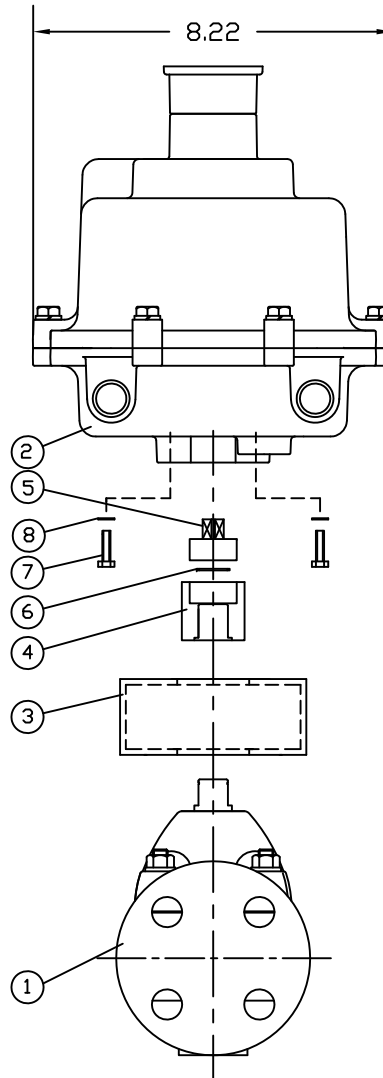
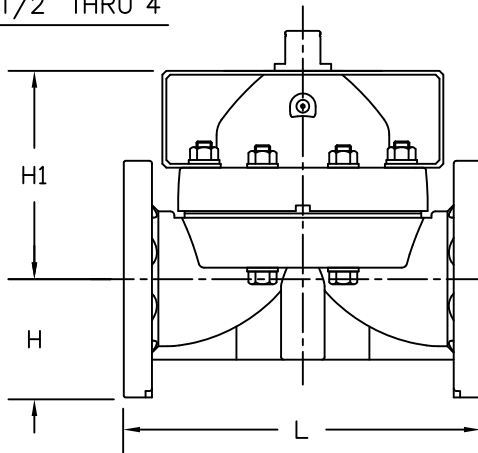


**FOR REFERENCE ONLY
ASAHI/AMERICA**

1/2" THRU. 2"



2-1/2" THRU 4"



UNIT: INCH

VALVE SIZE	1/2"	3/4"	1"	1-1/4"	1-1/2"	2"	2-1/2"	3"	4"
H	1.75	1.94	2.13	2.31	2.50	3.00	3.50	3.75	4.50
H1	3.55	3.61	3.77	5.94	6.50	7.02	9.52	10.25	11.00
L	4.25	5.88	5.88	6.38	6.94	7.94	9.84	10.38	12.94

NOTE; 1) THE SHAPE AND APPEARANCE OF ASSEMBLY DIFFER A LITTLE WITH NOMINAL SIZE COMPARED TO THIS DRAWING.

2) FOR DETAILED VALVE DIMENSIONS, REFER TO DWG. NO. 0055DI (1/2" THRU 3")
REFER TO DWG. NO. 0060DI (2-1/2" THRU 4")

8	FLAT WASHER (M8.0)	STAINLESS STEEL 303	4
7	BOLT (M8.0x1.25-16LG)	STAINLESS STEEL 303	4
6	RETAINING RING-C TYPE	STAINLESS STEEL 304	1
5	COUPLING (B)	STAINLESS STEEL 303	1
4	COUPLING (A)	STAINLESS STEEL 303	1
3	MOUNTING BRACKET	STAINLESS STEEL 303	1
2	ACTUATOR SERIES 92	POWDER COATED ALUMINUM	1
1	DIAPHRAGM VALVE	PVC,CPVC,PP,PVDF	1
ITEM	DESCRIPTION	MATERIAL	QTY

THIS DRAWING AND ALL INFORMATION HEREON IS THE PROPERTY OF ASAHI/AMERICA. ANY COPYING, REPRODUCTION OR UNAUTHORIZED USE IS FORBIDDEN WITHOUT WRITTEN CONSENT.

	NAME	DATE
DR	KENICHI MIYAZAKI	9/14/04
APPD	D.HURLEY	9/15/04
PROD	L.LESTER	9/15/04
WO#/SO#		
FILE		

ASAHI/AMERICA

ISO 9001 CERTIFIED
35 GREEN STREET, P.O. BOX 653, MALDEN, MA.



DIAPHRAGM VALVE TYPE14
SERIES92 ELECTRIC ACTUATOR
1/2" THRU. 4"

SIZE A DWG. NO. 0054DI REV B

SCALE NTS SHEET 1 OF 1