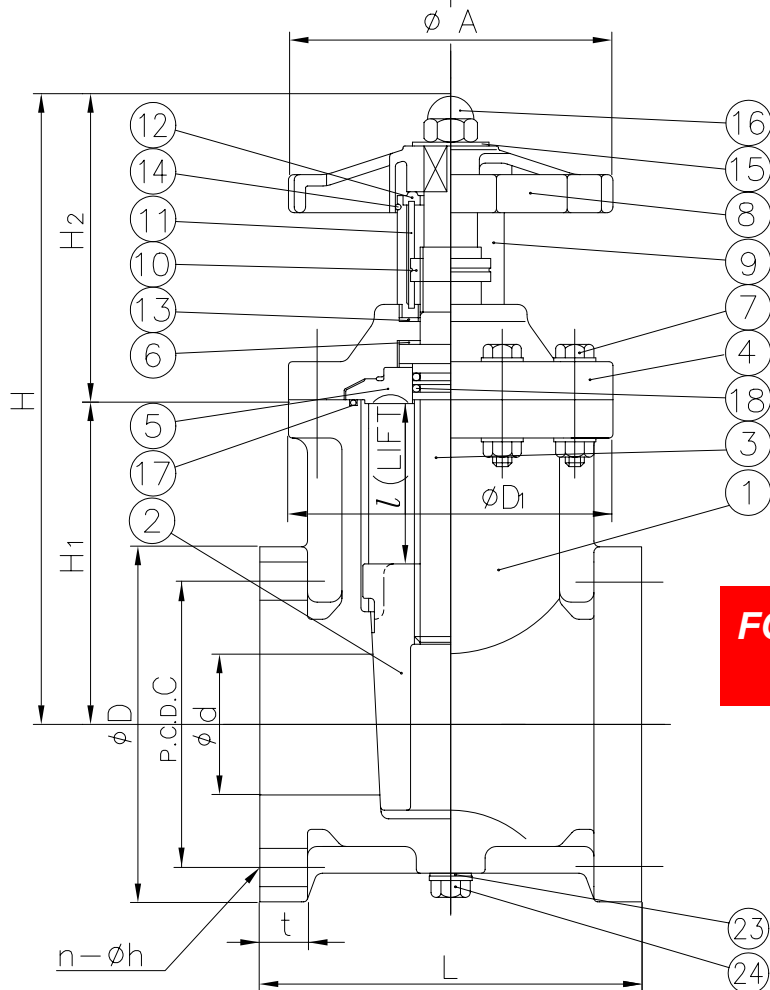
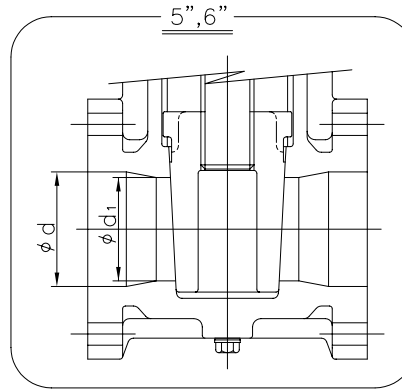


DIMENSIONS TABLE

UNIT: inch

NOMINAL SIZE	d	d <sub>1</sub>	ANSI Class150				L	t	D <sub>1</sub>	A	l	H <sub>1</sub>	H <sub>2</sub>	H	
			D	C	n	h									
1 1/2"	40	1.57	5.00	3.88	4	0.62	6.50	0.87	4.72	4.72	1.93	4.21	5.20	9.41	
2	50	1.97	6.00	4.75	4	0.75	7.01	0.91	5.12	5.12	2.36	5.28	5.35	10.63	
2 1/2	65	2.56	7.00	5.50	4	0.75	7.48	0.94	6.10	6.10	2.95	5.98	5.91	11.89	
3	80	2.95	7.50	6.00	4	0.75	7.99	0.98	6.69	6.69	3.35	6.69	6.10	12.79	
4	100	3.94	9.00	7.50	8	0.75	9.02	1.06	7.68	7.68	4.33	8.15	6.42	14.57	
5	125	4.92	4.33	10.00	8.50	8	0.88	10.24	1.06	9.25	9.25	4.61	8.94	7.09	16.03
6	150	5.91	5.12	11.00	9.50	8	0.88	10.51	1.06	10.63	10.63	5.43	10.35	7.17	17.52

NOTE. The shape and appearance of assembly differ a little with nominal size compared to this drawing.



**FOR REFERENCE ONLY**  
**ASAHI/AMERICA**

24	BOLT	1	PVC	
23	SHEET GASKET	1		
18	O-RING (C)	2	□EPDM	
17	O-RING (B)	1	□others( )	
16	NUT	1	STAINLESS STEEL 304	
15	WASHER	1	PVC	
14	O-RING (A)	1	EPDM	
13	GASKET	1	EPDM	
12	GUIDE PIN HOLDER	1	PVC	
11	GUIDE PIN	1	STAINLESS STEEL 304	
10	INDICATING RING	1	PVC	
9	INDICATING COVER	1	P C	
8	HAND WHEEL	1	P P	
7	BOLT*NUT*WASHER	—	STAINLESS STEEL 304	
6	THRUST BEARING	1set (2)	P P	
5	BONNET ( B )	1	HI-PVC	Stem Holder
4	BONNET ( A )	1	HI-PVC	
3	STEM	1	PVC	
2	GATE ( PLUG )	1	P P	
1	BODY	1	HI-PVC	
No.	DESCRIPTION	No.REQ'D	MATERIAL	REMARKS

THIS DRAWING AND ALL INFORMATION HEREON IS THE PROPERTY OF ASAHI/AMERICA. ANY COPYING, REPRODUCTION OR UNAUTHORIZED USE IS FORBIDDEN WITHOUT WRITTEN CONSENT.

	NAME	DATE
DR	KENICHI MIYAZAKI	9/18/01
APPD	DAVE HURLEY	9/18/01
PROD	LED LESTER	9/18/01
WO#/CO#		
FILE		

**ASAHI/AMERICA**

ISO 9001 CERTIFIED

35 GREEN STREET, P.O. BOX 653, MALDEN, MA.



GATE VALVE  
P TYPE (WITH PP PLUG)  
1-1/2" THRU 6"

SIZE	A	DWG. NO.	0005GT	REV	c
SCALE	NTS	SHEET	1	OF	1