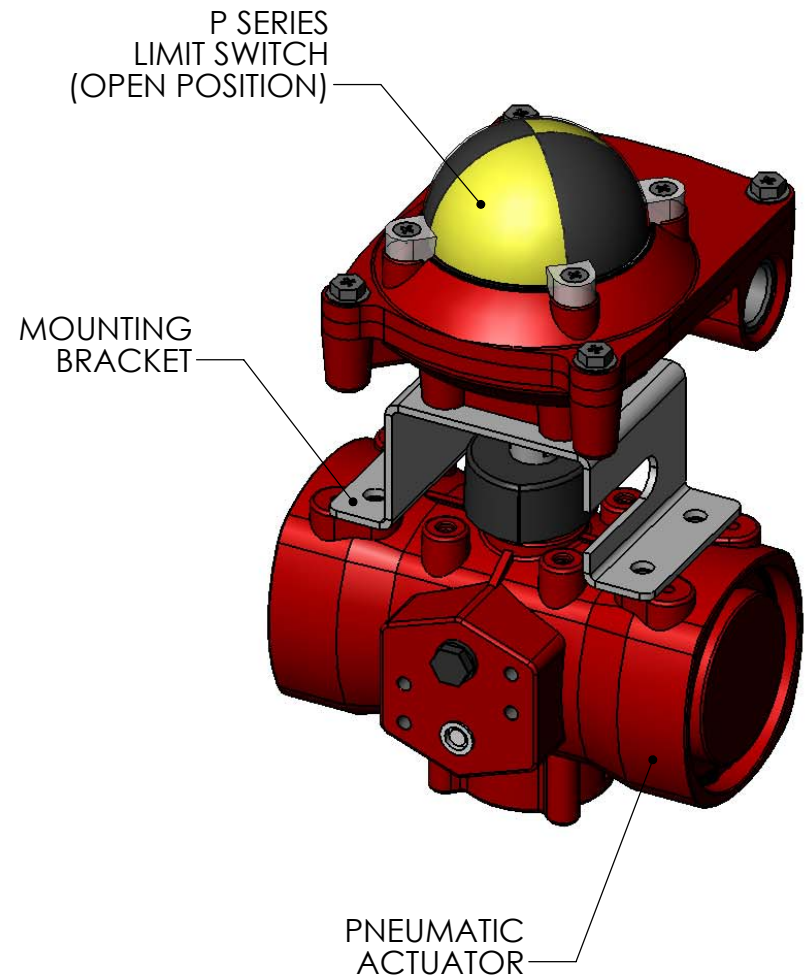
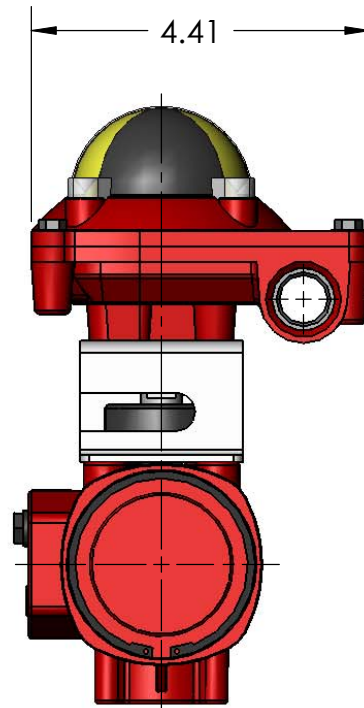
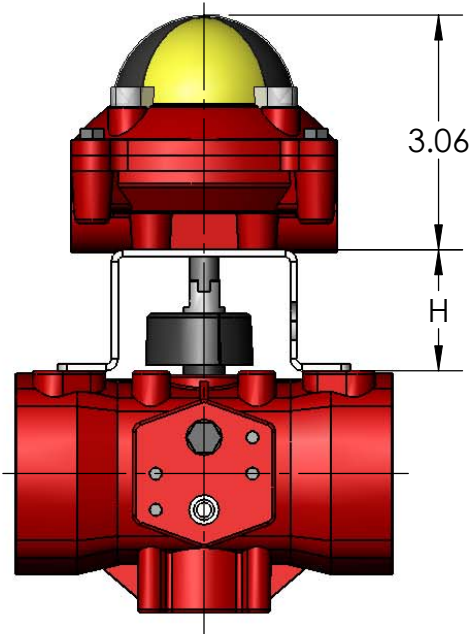



**FOR REFERENCE
ONLY
ASAHI/AMERICA**

PROTOTYPE



ACTUATOR	DIM 'H'
PW	1.16
P0 THRU P3	1.57
P4 & P5	2.36

UNLESS OTHERWISE SPECIFIED DIMENSIONS ARE IN INCHES		THIS DRAWING AND ALL INFORMATION HEREON IS THE PROPERTY OF ASAHI/AMERICA. ANY COPYING, REPRODUCTION OR UNAUTHORIZED USE IS FORBIDDEN WITHOUT WRITTEN CONSENT.
MACHINING TOLERANCES:	2 PL DECIMALS ± .01 3 PL DECIMALS ± .005 ANGULAR ± 1/2° FRACTIONAL ± 1/64	
FABRICATION TOLERANCES:	1/2" - 8" ± 1/4 10" AND UP ± 1/2 ANGULAR ± 1.0°	
MATERIAL	BRACKET: STAINLESS STEEL	
FINISH	125 μ"	
DR	J.GLASSFORD	4/17/07
APPD	<i>D. Hurley</i>	4/17/07
PROD		
MATERIAL		PRODUCT VALVES & ACTUATION
FINISH		WO#/CO#

ASAHI/AMERICA ISO 9001 CERTIFIED 35 GREEN STREET, P.O. BOX 653, MALDEN, MA.					
P SERIES LIMIT SWITCH MOUNTING					
SIZE	A	DWG. NO.	M20PN596	REV	P1
SCALE	1:2.5	SHEET 1 OF 1			