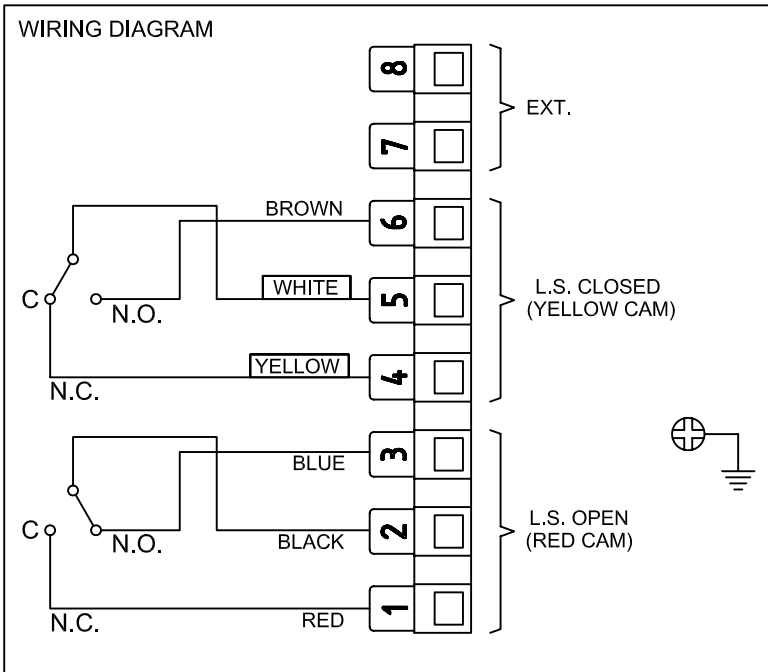
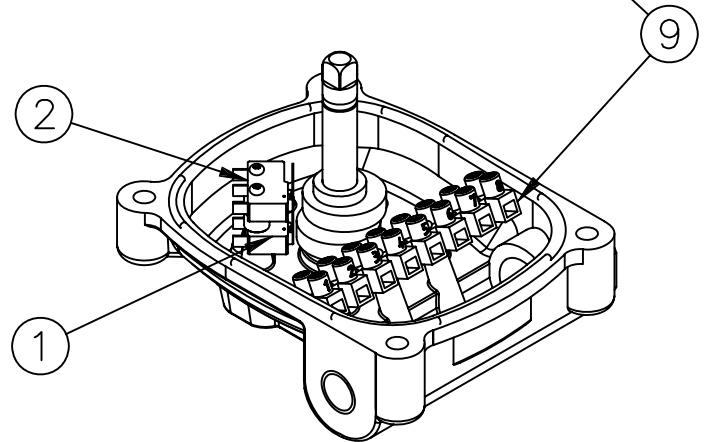
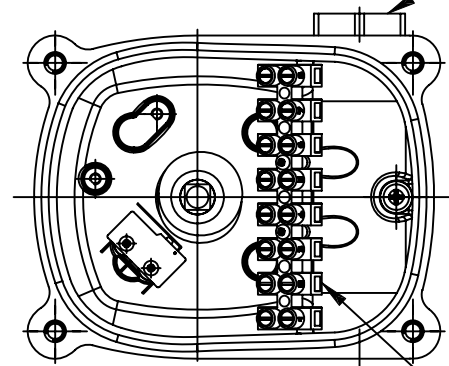
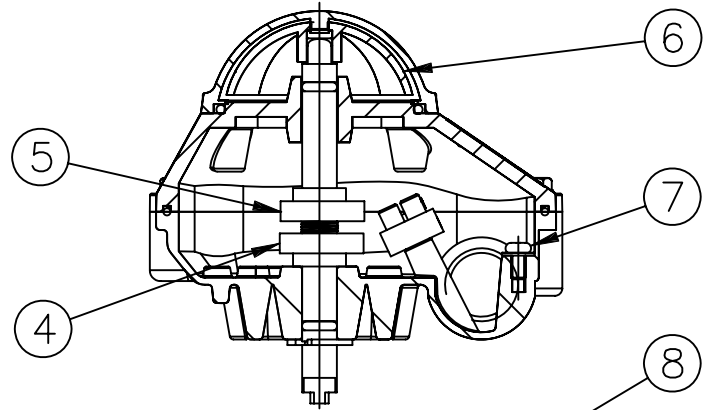


N°	Description
1	LIMIT SWITCH CLOSED
2	LIMIT SWITCH OPEN
4	CLOSE LIMIT SWITCH CAM (ADJUSTABLE)
5	OPEN LIMIT SWITCH CAM (ADJUSTABLE)
6	POSITION INDICATOR (BEACON)
7	EARTH CONNECTION (GROUND)
8	(2) CONDUIT ENTRY (1/2" NPT)
9	TERMINAL STRIP



THIS DRAWING AND ALL INFORMATION HEREON IS THE PROPERTY OF ASAHI/AMERICA. ANY COPYING, REPRODUCTION OR UNAUTHORIZED USE IS FORBIDDEN WITHOUT WRITTEN CONSENT.

	NAME	DATE
DR	JOHN GLASSFORD	7/10/07
APPD	DAVE HURLEY	7/10/07
PROD	LED LESTER	7/10/07
WO#/SO#		
FILE		

ASAHI/AMERICA

ISO 9001 CERTIFIED

35 GREEN STREET, P.O. BOX 653, MALDEN, MA.



P-SERIES LIMIT SWITCH BOX
WIRING DIAGRAM & ASSEMBLY

SIZE	A	DWG. NO.	2403784	REV	A
SCALE	NONE	SHEET 1 OF 1			