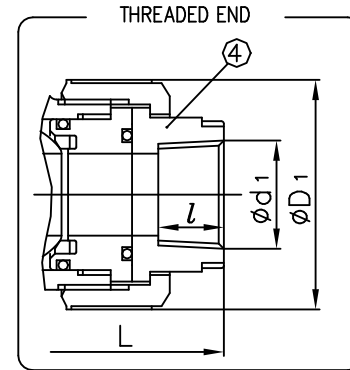
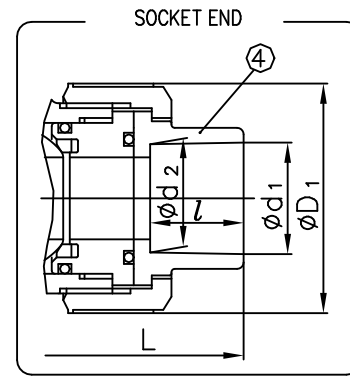
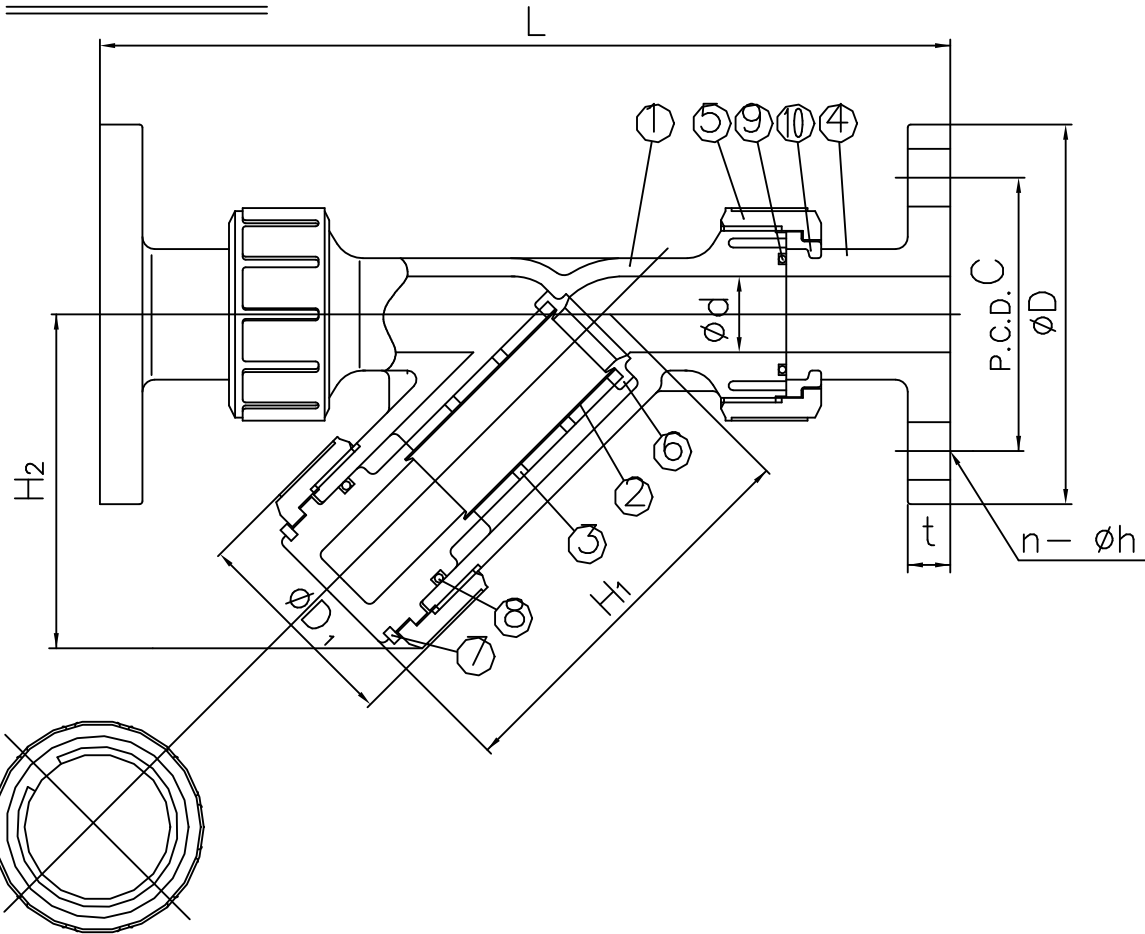


FLANGED END



10	STOP RING	2	PVDF	Used for Flanged End
9	O-RING (B)	2	<input type="checkbox"/> EPDM <input type="checkbox"/> FKM	
8	O-RING (A)	1	<input type="checkbox"/> Others( )	
7	SPLIT RING	1	PVC	
6	RETAINING RING	1		
5	UNION NUT	3		
4	END CONNECTOR	2		
3	SCREEN SUPPORT	1		
2	FILTER SCREEN	1	<input type="checkbox"/> PVC <input type="checkbox"/> STAINLESS STEEL 316	<input type="checkbox"/> ( ) Mesh
1	BODY	1	PVC	
No.	DESCRIPTION	No.REQ'D	MATERIAL	REMARKS

DIMENSIONS TABLE

UNIT: INCH

NOMINAL SIZE	FLANGED				SOCKET				THREADED				D <sub>1</sub>	H <sub>1</sub>	H <sub>2</sub>		
	ANSI CLASS150		n	h	ANSI SCH40			L	d <sub>1</sub>	l	L	d					
	D	C			d <sub>1</sub>	d <sub>2</sub>	l										
1/2" 15"	3.50	2.38	4	0.62	8.11	0.47	0.848	0.836	0.87	6.93	1/2-14 NPT	0.59	6.50	0.59	1.89	3.82	3.07
3/4" 20"	3.86	2.76	4	0.62	10.00	0.55	1.058	1.046	1.00	8.30	3/4-14 NPT	0.67	7.95	0.79	2.36	4.72	3.86
1" 25"	4.25	3.13	4	0.62	11.02	0.55	1.325	1.310	1.12	9.37	1-11 1/2 NPT	0.79	8.82	0.98	2.76	5.24	4.37
1 1/4" 30"							1.670	1.655	0.938	11.28	1 1/4-11 1/2 NPT	0.87	11.61	1.57	3.94	6.97	5.87
1 1/2" 40"	5.00	3.88	4	0.62	13.23	0.63	1.912	1.894	1.38	12.13	1 1/2-11 1/2 NPT	0.98	11.30	1.57	3.94	6.97	5.87
2" 50"	6.00	4.75	4	0.75	14.21	0.63	2.387	2.369	1.50	13.31	2-11 1/2 NPT	1.10	12.76	2.01	4.17	7.48	6.29
3" 80"	7.52	6.00	4	0.75	18.78	0.71	3.516	3.492	1.87	17.83	3-8 NPT	1.38	17.17	3.07	5.98	10.67	9.21
4" 100"	9.02	7.50	8	0.75	23.94	0.71	4.518	4.491	2.25	23.54	4-8 NPT	1.77	23.47	3.94	8.27	14.21	12.44

NOTE: The shape and appearance of assembly differ a little with nominal size compared to this drawing.

THIS DRAWING AND ALL INFORMATION HEREON IS THE PROPERTY OF ASAHI/AMERICA. ANY COPYING, REPRODUCTION OR UNAUTHORIZED USE IS FORBIDDEN WITHOUT WRITTEN CONSENT.

**ASAHI/AMERICA**

ISO 9001 CERTIFIED

35 GREEN STREET, P.O. BOX 653, MALDEN, MA.



SEDIMENT STRAINER

PVC

1/2" THRU 4"

DR	KENICHI MIYAZAKI	8/28/02
APPD	D. HURLEY	2/2/09
PROD	L. LESTER	2/2/09
WO#/CO#		
FILE		

SIZE	A	DWG. NO.	0012MI	REV	E
SCALE	NTS		SHEET 1 OF 1		