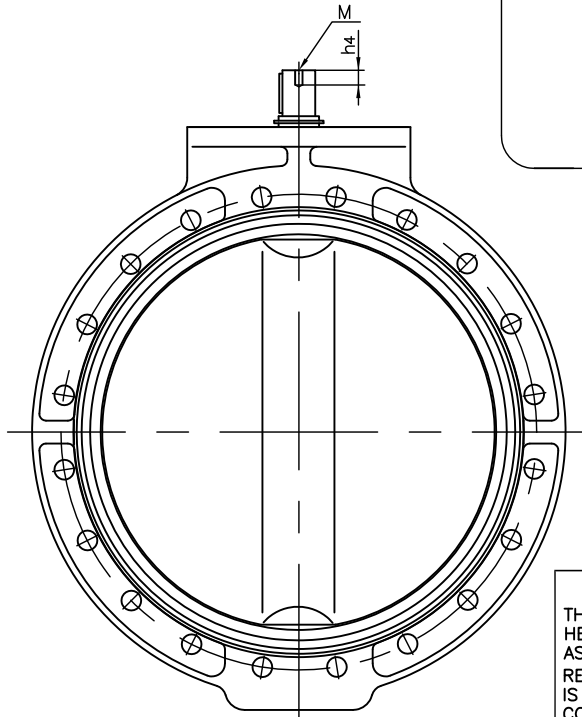
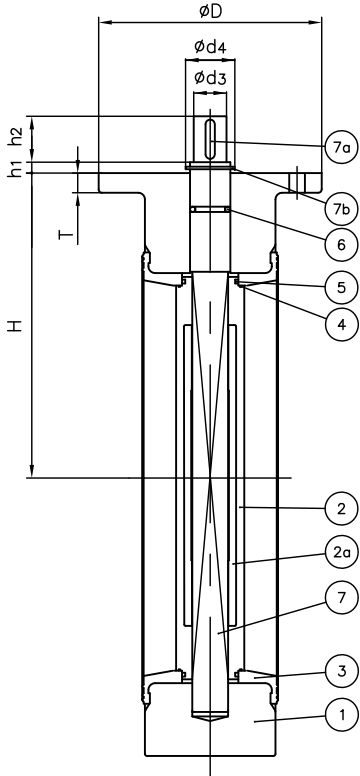
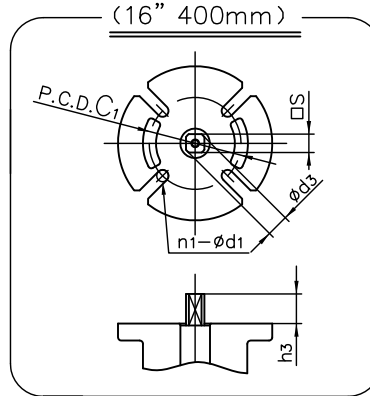
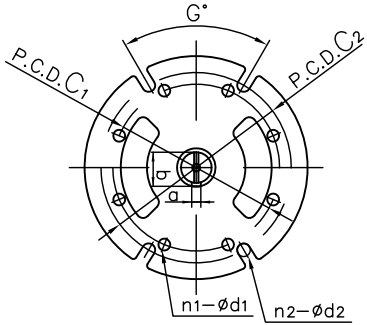


DIMENSIONS TABLE

UNIT: inch

| NOMINAL SIZE | D | ISO 5211 | | | | S | d ₃ | d ₄ | H | T | h ₁ | h ₂ | h ₃ | h ₄ | C ₂ | n ₂ | d ₂ | G | a | b | M |
|-----------------------|-------|----------|----------------|----------------|----------------|------|----------------|----------------|-------|------|----------------|----------------|----------------|----------------|----------------|----------------|----------------|----|------|------|-----|
| | | TYPE | C ₁ | n ₁ | d ₁ | | | | | | | | | | | | | | | | |
| 16" 400 ^{mm} | 9.25 | F14 | 5.51 | 4 | 0.71 | 1.06 | 1.34 | — | 13.78 | 1.02 | — | — | 1.77 | 0.59 | — | — | — | — | 0.55 | 2.11 | M12 |
| 18 450 | 13.39 | F25 | 10.00 | 8 | 0.71 | — | 1.97 | 2.52 | 14.57 | 1.18 | 0.79 | 2.76 | — | 0.59 | 11.42 | 4 | 0.71 | 60 | 0.55 | 2.11 | M12 |
| 20 500 | 13.39 | F25 | 10.00 | 8 | 0.71 | — | 1.97 | — | 15.75 | 1.18 | 0.79 | 2.76 | — | 0.59 | 11.42 | 4 | 0.71 | 60 | 0.55 | 2.11 | M12 |
| 24 600 | 13.39 | F25 | 10.00 | 8 | 0.71 | — | 1.97 | — | 18.31 | 1.18 | 0.79 | 2.76 | — | 0.59 | 11.42 | 4 | 0.71 | 60 | 0.55 | 2.11 | M12 |

NOTE. Shape and appearance of assembly may differ this drawing.



| 7b | SNAP RING | 1 | STAINLESS STEEL (SUS304) | Used for 18"mm |
|-----|-------------|----------|---------------------------|------------------|
| 7a | KEY (A) | 1 | CARBON STEEL(S45C) | |
| 7 | STEM | 1 | STAINLESS STEEL (SUS403) | |
| 6 | O-RING (C) | 1 | | |
| 5 | O-RING (B) | 2 | □EPD □FK | |
| 4 | O-RING (A) | 2 | □Others (?) | |
| 3 | SEAT | 1 | | |
| 2a | DISC INSERT | 1 | CAST ALUMNUM ALLOY (AC4C) | Used for 18"~24" |
| 2 | DISC | 1 | □P □PVD | |
| 1 | BODY | 1 | PDCPD | |
| No. | DESCRIPTION | No.REQ'D | MATERIAL | REMARKS |

THIS DRAWING AND ALL INFORMATION HEREON IS THE PROPERTY OF ASAHI/AMERICA. ANY COPYING, REPRODUCTION OR UNAUTHORIZED USE IS FORBIDDEN WITHOUT WRITTEN CONSENT.

| | NAME | DATE |
|---------|---------------|--------|
| DR | NORIMITSU KAI | 8/7/08 |
| APPD | D. HURLEY | 8/7/08 |
| PROD | L. LESTER | 8/8/08 |
| WO#/SO# | | |
| FILE | | |

ASAHI/AMERICA

ISO 9001 CERTIFIED

35 GREEN STREET, P.O. BOX 653, MALDEN, MA.



BUTTERFLY VALVE TYPE
56D & 57D TOP DIMENSIONS
OF BODY 16" THRU 24"

| | | | | | |
|-------|-----|----------|--------------|-----|---|
| SIZE | A | DWG. NO. | 0693BFD | REV | A |
| SCALE | NTS | | SHEET 1 OF 1 | | |

**FOR REFERENCE ONLY
ASAHI/AMERICA**