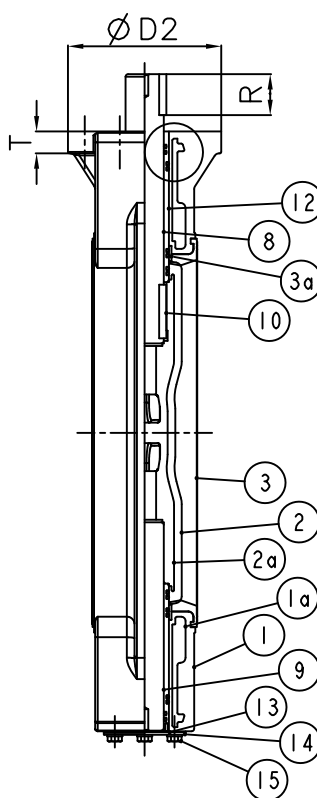
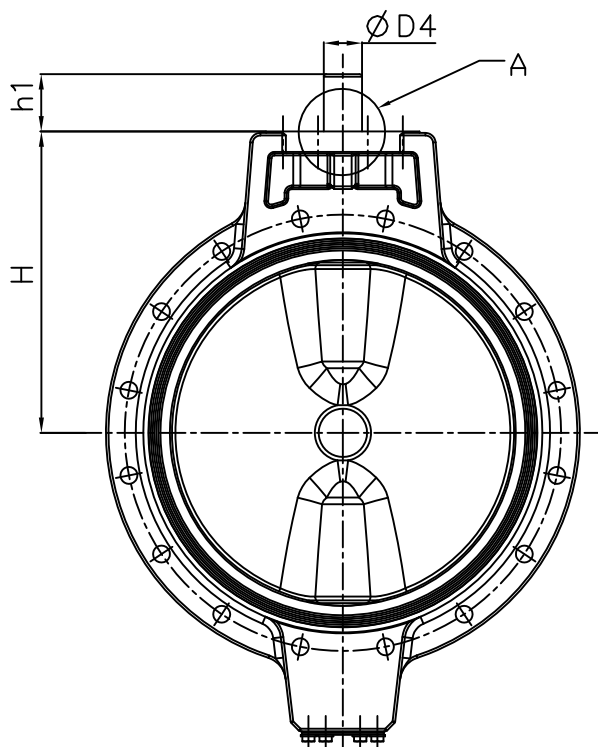
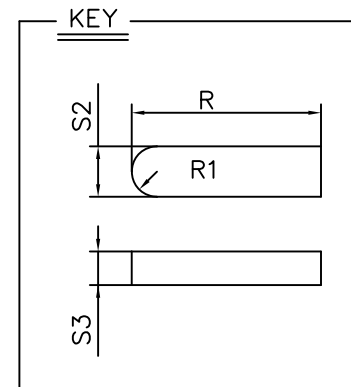


DETAIL A



3a	STABILIZATION RING	2	STAINLESS STEEL 304	
1b	INSERTED METAL OF DISC	1	CAST IRON (FCD450)	
1a	INSERTED METAL OF BODY	1	CAST IRON (FCD450)	
15	BOLT (A)	6	STAINLESS STEEL 304	
14	STEM HOLDER	1	STAINLESS STEEL 304	
13	GASKET (A)	1	NONAS SHEET	
12	BUSH	2	BRONZE CASTING, PVDF	
10	KEY (A)	1	CARBON STEEL	
9	STEM (B)	1	STAINLESS STEEL 403, 316	
8	STEM (A)	1	STAINLESS STEEL 403, 316	
7	O-RING (D)	1	NBR	
6	O-RING (C)	1	NBR	
5	O-RING (B)	3	EPDM, FKM	
4	O-RING (A)	11		
3	SEAT	1		
2	DISC	1	PDCPD	
1	BODY	1	PDCPD	
No.	DESCRIPTION	No.REQ'D	MATERIAL	REMARKS

**FOR REFERENCE ONLY
ASAHI/AMERICA**

DIMENSION TABLE

UNIT: inches

NOMINAL SIZE	H	h1	D2	D4	T	R	d1	C2	S1	S2	R1	S3	ISO 5211 TYPE
700 28	23.23	4.65	11.81	2.95	1.57	3.15	0.71	10.00	3.15	0.87	0.44	0.55	F25
800 32	24.41	5.31	11.81	3.35	1.57	3.15	0.71	10.00	3.54	0.98	0.49	0.55	F25
900 36	27.76	5.31	11.81	3.35	1.57	4.72	0.71	10.00	3.54	0.98	0.49	0.55	F25
1000 40	29.52	5.31	13.78	4.13	1.97	4.72	0.87	11.73	4.37	1.10	0.55	0.63	F30
1100 44	33.07	7.28	13.78	4.53	1.97	6.30	0.87	11.73	4.80	1.26	0.55	0.63	F30
1200 48	35.04	7.28	13.78	4.92	1.97	6.30	0.87	11.73	5.20	1.26	0.55	0.63	F30

NOTE: 1. The shape and appearance of assembly differ a little with nominal size compared to this drawing.

THIS DRAWING AND ALL INFORMATION HEREON IS THE PROPERTY OF ASAHI/AMERICA. ANY COPYING, REPRODUCTION OR UNAUTHORIZED USE IS FORBIDDEN WITHOUT WRITTEN CONSENT.

DR	NAME	DATE
APPD	JOHN GLASSFORD	7/30/08
PROD	D.HURLEY	7/30/08
WO#/SO#		
FILE		

ASAHI/AMERICA

ISO 9001 CERTIFIED
35 GREEN STREET, P.O. BOX 653, MALDEN, MA.



PDCPD BUTTERFLY VALVE
TOP DIMENSIONS OF BODY
28" THRU. 48"

SIZE	DWG. NO.	REV
A	0240BF	B
SCALE	SHEET 1 OF 1	
NTS		