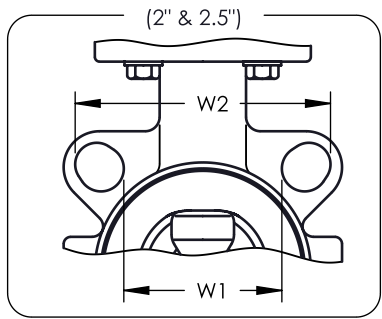


REV	DATE	DESCRIPTION	BY	FROM
A	5/18/16	FIRST ISSUE	CW	DH
B	5/18/16	DRAWING CLEAN IP	CW	DH
C	5/18/16	2" - 8" TITLE BLOCK	CW	DH
D	7/26/17	ADDED 10" - 16", W1 & W2	CW	DH

No.	DESCRIPTION	PCS.	MATERIAL
1	BODY	1	DUCTILE CAST IRON (FCD-S) W/ EPOXY POWDER COAT
2	DISC	1	PTFE
2a	INSERTED METAL OF DISC	1	STAINLESS STEEL (SUS304)
3	SEAT	1	PTFE
3a	SEAT CUSHION	1	CR
4	STEM (B)	1	STAINLESS STEEL (SUS304)
4a	STEM (A)	1	STAINLESS STEEL (SUS304)
6	O-RING (A)	1	EPDM
7	BOLT (A)	2	STAINLESS STEEL (SUS304)
8	GEAR BOX	1	PLASTIC ect.
9	BOLT (B)	1	STAINLESS STEEL (SUS304)
48	GASKET ©	1	EPDM
51	O-RING (B)	1	NBR

NOTE 1. Dimensions "L" is equivalent to ISO5752 flangeless (wafer) short.
 NOTE 2. The shape and appearance of assembly differ a little with nominal size compared to this drawing.
 NOTE 3. These are the boltholes when you plumb 3"(80mm valve) UNIT :inch

NOMINAL SIZE	d	ANSI CLASS 150			D	D2	D3	L	H	H1	H2	H3	I	W	W1	W2	A1	A2	HANDLE ROTATIONS	GEAR BOX TYPE	
		c	n	h																	
2	50	2.17	(4.75)	2 (4)	(.75)	3.54	4.80	6.30	1.69	5.31	2.40	3.94	3.62	8.46	4.57	2.60	4.17	6.57	2.52	9.5	TYPE 241
2.5	65	2.56	(5.50)	2 (4)	(.75)	4.33	4.80	6.30	1.81	5.91	3.15	4.53	3.62	9.06	5.75	3.07	4.76	6.57	2.52	9.5	
3	80	3.15	(6.00)	- (4)	(.75)	4.92	4.80	6.30	1.81	6.06	3.74	4.69	3.62	9.21	5.98	-	-	6.57	2.52	9.5	
4	100	3.94	7.50	4 (8)	.75	6.06	4.80	6.30	2.05	6.69	4.06	5.31	3.62	9.84	6.85	-	-	6.57	2.52	9.5	
5	125	4.92	8.50	4 (8)	.88	7.13	4.80	6.30	2.20	7.60	4.72	6.22	3.62	10.75	8.11	-	-	6.57	2.52	9.5	
6	150	5.91	9.50	4 (8)	.88	8.31	4.80	6.30	2.20	8.27	5.39	6.89	3.62	11.42	9.29	-	-	6.57	2.52	9.5	
8	200	7.52	11.75	4 (8)	.88	9.96	4.80	6.30	2.36	9.45	6.42	8.07	3.62	12.60	11.42	-	-	6.57	2.52	9.5	
10	250	9.65	14.25	4 (12)	1.00	12.60	4.80	6.30	2.68	10.83	7.87	9.45	3.62	16.73	13.39	-	-	6.57	2.52	9.5	
12	300	11.02	17.00	4 (12)	1.00	14.61	7.40	11.81	3.07	13.27	9.06	11.61	4.25	19.17	16.14	-	-	10.71	3.90	9.5	TYPE 243
14	350	12.99	18.75	4 (12)	1.12	16.38	7.40	11.81	3.62	14.25	10.04	12.60	4.25	20.16	18.11	-	-	10.71	3.90	9.5	
16	400	14.96	(21.25)	4 (16)	(1.12)	18.74	7.40	11.81	4.02	15.43	11.42	13.78	4.25	21.34	20.94	-	-	10.71	3.90	9.5	



UNLESS OTHERWISE SPECIFIED DIMENSIONS ARE IN INCHES		THIS DRAWING AND ALL INFORMATION HEREON IS THE PROPERTY OF ASAHI/AMERICA. ANY COPYING, REPRODUCTION OR UNAUTHORIZED USE IS FORBIDDEN WITHOUT WRITTEN CONSENT.	
MACHINING TOLERANCES:	2 PL DECIMALS ±.01 3 PL DECIMALS ±.005 ANGULAR ±1/2° FRACTIONAL ±1/64	NAME	DATE
FABRICATION TOLERANCES:	1/2" - 8" ±1/4 10" AND UP ±1/2 ANGULAR ±1.0°	C. Williams	05/18/16
WELD TYPE:	N/A	APPR	D. Hurley 07/27/17
MATERIAL:	AS NOTED	PRODUCT:	VALVE & ACT
FINISH:	N/A	WO#/SO#	

ASAHI/AMERICA
 ISO 9001 CERTIFIED
 655 ANDOVER STREET, LAWRENCE, MA

2" - 16" TYPE-55IS GEAR BUTTERFLY VALVES
 ANSI 150

JDE PART # 0188BF55IS
 SIZE **A** DWG # 0188BF55IS REVISION **D**
 SCALE N/A SHEET 1 OF 1