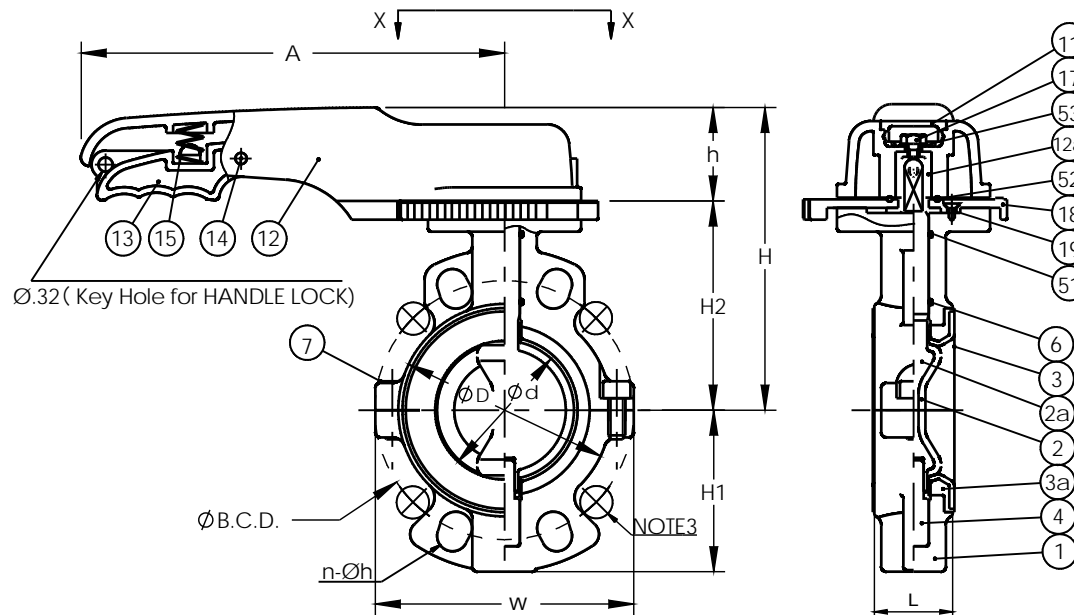
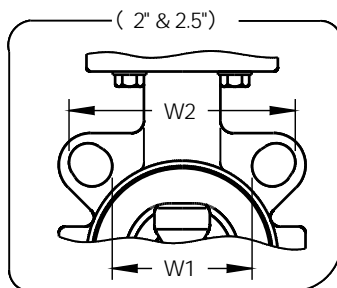
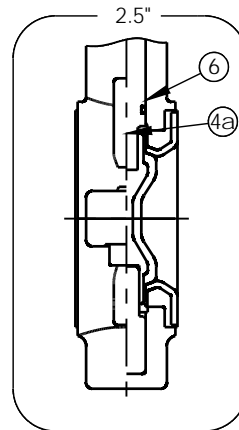
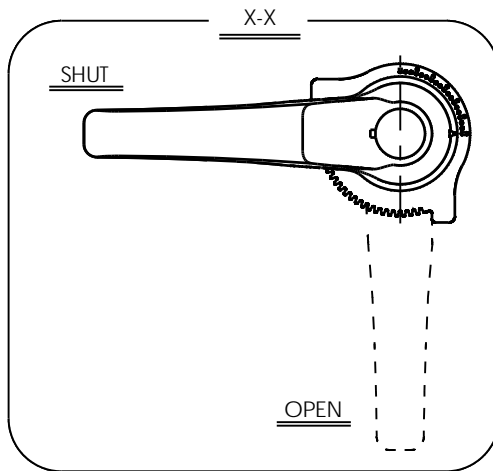


REV	DATE	DESCRIPTION	BY	FROM
A	5/18/16	FIRST ISSUE	CW	DH
B	5/18/16	DRAWING CLEAN UP	CW	DH
C	7/26/17	ADDED 2.5", W1 & W2	CW	DH



No.	DESCRIPTION	PCS.	MATERIAL
1	BODY	1	DUCTILE CAST IRON (FCD-5) W/ EPOXY POWDER COAT
2	DISC	1	PTFE
2a	INSERTED METAL OF DISC	1	STAINLESS STEEL (SUS304)
3	SEAT	1	PTFE
3a	SEAT CUSHION	1	CR
4	STEM (B)	1	STAINLESS STEEL (SUS304)
4a	STEM (A)		STAINLESS STEEL (SUS304)
7	BOLT (A)	2	STAINLESS STEEL (SUS304)
11	CAP	1	PP
12	HANDLE	1	PP
12a	HANDLE INSERTED METAL	1	STAINLESS STEEL (SUS316)
13	HANDLE LEVER	1	PPG
14	PIN	1	PPG
15	SPRING	1	STAINLESS STEEL (SUS304)
17	BOLT (C)	1	STAINLESS STEEL (SUS304)
18	LOCKING PLATE	1	PPG
19	SCREW (A)	4	STAINLESS STEEL (SUS304)
51	O-RING (B)	1	EPDM
52	O-RING (C)	1	EPDM
53	RUBBER + WASHER	1	STAINLESS STEEL (SUS304) + EPDM

NOTE1. Dimensions "L" is equivalent to ISO5752 flangeless (wafer) short.
 NOTE2. The shape and appearance of assembly differ a little with nominal size compared to this drawing.
 NOTE3. These are the bolt holes when you plumb 3"(80mm VALVE)



General Table													Unit:inch		
NOMINAL SIZE	d	ANSI CLASS 150			D	L	H	H1	H2	H3	W	W1	W2	A	
		C	n	h											
2	50	2.17	(4.75)	2 (4)	(.75)	3.54	1.69	6.34	2.40	4.13	2.20	4.57	2.60	4.17	8.66
2.5	65	2.56	(5.50)	2 (4)	(.75)	4.33	1.81	6.93	3.15	4.72	2.20	5.75	3.07	4.76	8.66
3	80	3.15	(6.00)	- (4)	(.75)	4.92	1.81	7.09	3.74	4.88	2.20	5.98	-	-	9.84
4	100	3.94	7.50	4 (8)	.75	6.06	2.05	7.72	4.06	5.51	2.20	6.85	-	-	9.84
5	125	4.92	8.50	4 (8)	.88	7.13	2.20	9.25	4.72	6.54	2.72	8.11	-	-	12.60

UNLESS OTHERWISE SPECIFIED	
DIMENSIONS ARE IN INCHES	
MACHINING	2 PL DECIMALS ± .01
TOLERANCES:	3 PL DECIMALS ± .005
	ANGULAR ± 1/2°
	FRACTIONAL ± 1/64
FABRICATION	1/2" - 8" ± 1/4
TOLERANCES:	10" AND UP ± 1/2
	ANGULAR ± 1.0°
WELD TYPE:	N/A
MATERIAL:	AS NOTED
FINISH:	N/A

THIS DRAWING AND ALL INFORMATION HEREON IS THE PROPERTY OF ASAHI/AMERICA. ANY COPYING, REPRODUCTION OR UNAUTHORIZED USE IS FORBIDDEN WITHOUT WRITTEN CONSENT.	
NAME	DATE
C. Williams	05/18/16
APPR	D. Hurley
	07/27/17
PRODUCT:	VALVE & ACT
WO#/ISO#	

ASAHI/AMERICA
ISO 9001 CERTIFIED
 655 ANDOVER STREET, LAWRENCE, MA



2" - 5" TYPE-55IS LEVER BUTTERFLY VALVES
ANSI 150

JDE PART #	0187BF55IS
SIZE	A
DWG #	0187BF55IS
REVISION	C
SCALE	N/A
SHEET	1 OF 1