

# AVBPR

## 背压弁 Back Pressure Regulator

Specialty Valves and Control Products **Dymatrix™**



### Excellent stability

This product stabilizes medium pressure of the main line with fast response.

### Specifications

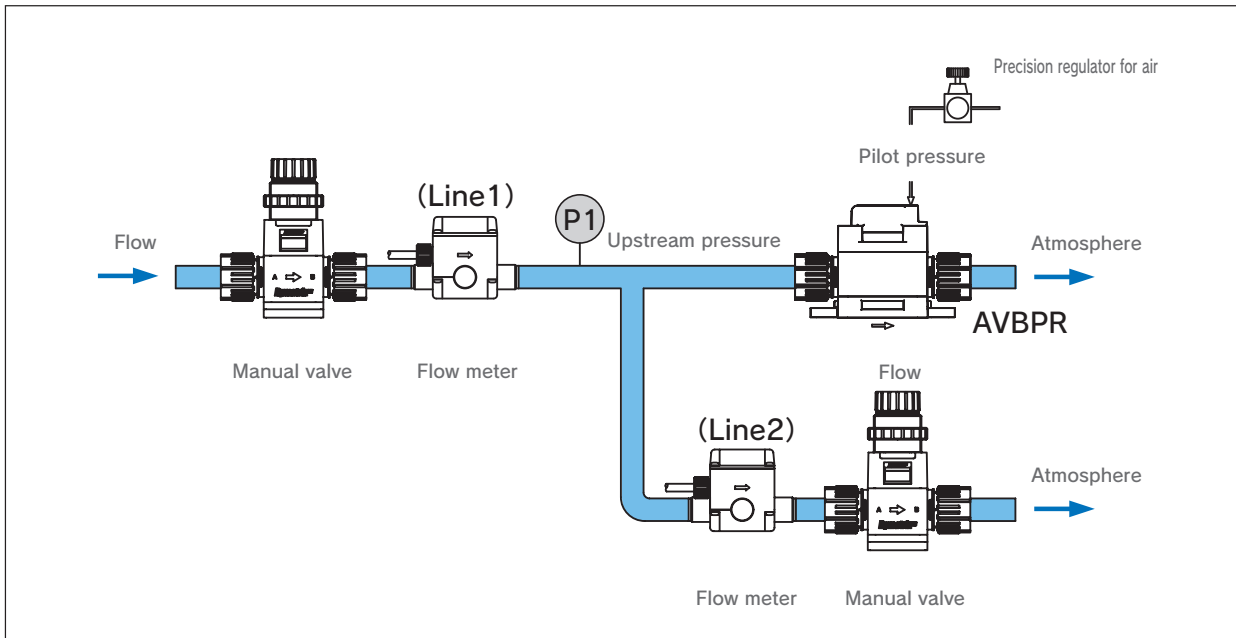
項目	Items	Unit	Type	
			HF	
接続口径	Connection tubing size	mm	12×10, 12.70×9.53	19×16, 19.05×15.88
作動	Actuation	—	Air to Close	
流体温度	Medium Temperature	℃	10 ~ 90 ※ Please consult us in case you need the valve for High Temp (10 ~ 200℃).	
構造耐圧	Proof Pressure	MPa	0.9 130.5psi	
使用圧力範囲	Working Pressure range	MPa	0.1 ~ 0.25 (14.5 ~ 36.25psi)	0.1 ~ 0.3 (14.5 ~ 43.5psi)
背圧	Back Pressure	MPa	0 ~ 0.05 (0 ~ 7.25psi)	
周囲温度	Ambient Temperature	℃	10 ~ 60	
取付姿勢	Installation direction	—	Any direction	
接続	Connection	—	Flowell 20 series Flowell 60 series Super Type Pillar Fitting Super 300 Type Pillar Fitting Flare Type Tube	
参考流量範囲	Reference Flow Range	L/min	5 ~ 15	5 ~ 30
精度	Accuracy	—	Within 20kPa of upstream pressure variations, when a flow rate varies 5L/min in the reference flow rate range of 13 L/min. (When the upstream pressure is set at 200kPa)	Within 15kPa of upstream pressure variations, when a flow rate varies 10L/min in the reference flow rate range of 5 - 30 L/min. (When the upstream pressure is set at 200kPa)
重量	Weight	kg	0.9	1.0
Pilot	Pilot pressure	MPa	0.1 ~ 0.25 14.5 ~ 36.25psi	0.1 ~ 0.3 14.5 ~ 43.5psi
	Pilot air consumption	L/times(ANR)	0.27 ※ 1	0.32 ※ 2
	Pilot port	—	Rc1/8" , FNPT1/8"	

※ 1. The pilot air consumption is the value at 0.25 MPa.

※ 2. The pilot air consumption is the value at 0.3 MPa.



### Test line



### Test condition

1. The characteristic graph shows the data in the case of horizontal piping.
2. The test temperature is 23°C.
3. The characteristic graph is by connection tubing size mentioned in each graph.
4. The data in the characteristic graph are the experiment value and the reference value.

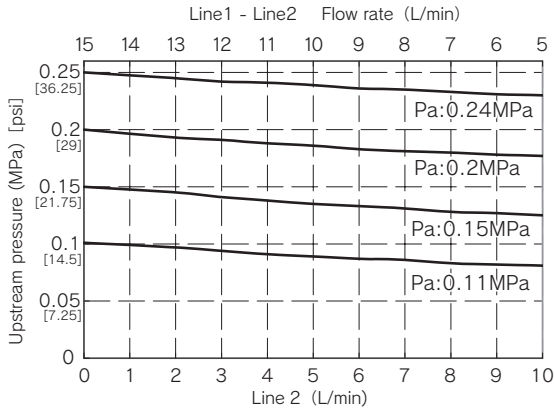
### Cautions for use

1. Please do not use the **AVBPR** in negative pressure. (It would cause the breakage of the valve)
2. Please use CDA (clean, dry compression air) for pilot air. In case the pilot air contains foreign substance, such as chemicals, synthetic oil contains organic solvent, salt, corrosive gas and so on, it
3. We recommend to use the high quality regulator for pilot air control such as the precise regulator and Electronic-Pneumatic regulator.
4. Please do not use the regulator without the exhaust function. (The valve may not operate precisely)
5. Please leave the pilot air pressure off in case the valve is not used for long time.
6. The range of the flow rate differs with high viscosity fluid from the one for water. Please consult us in case of use of high viscosity fluid.
7. The valve is not suited to the use to the crystallizing nature fluid and Slurry.
8. Please use **AVBPR** for the fluid that has passed filter.

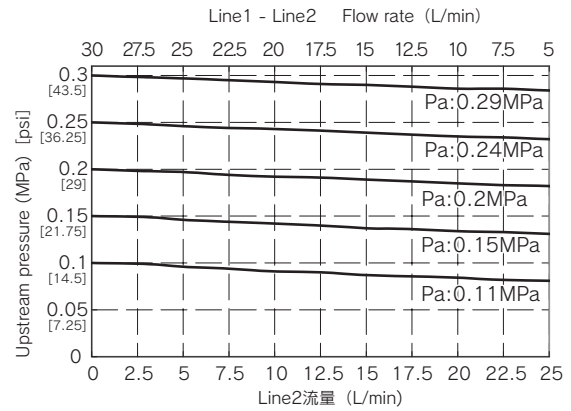
Technical Data

Flow rate - Upstream pressure

Connection tubing size of test: 12.70×9.53

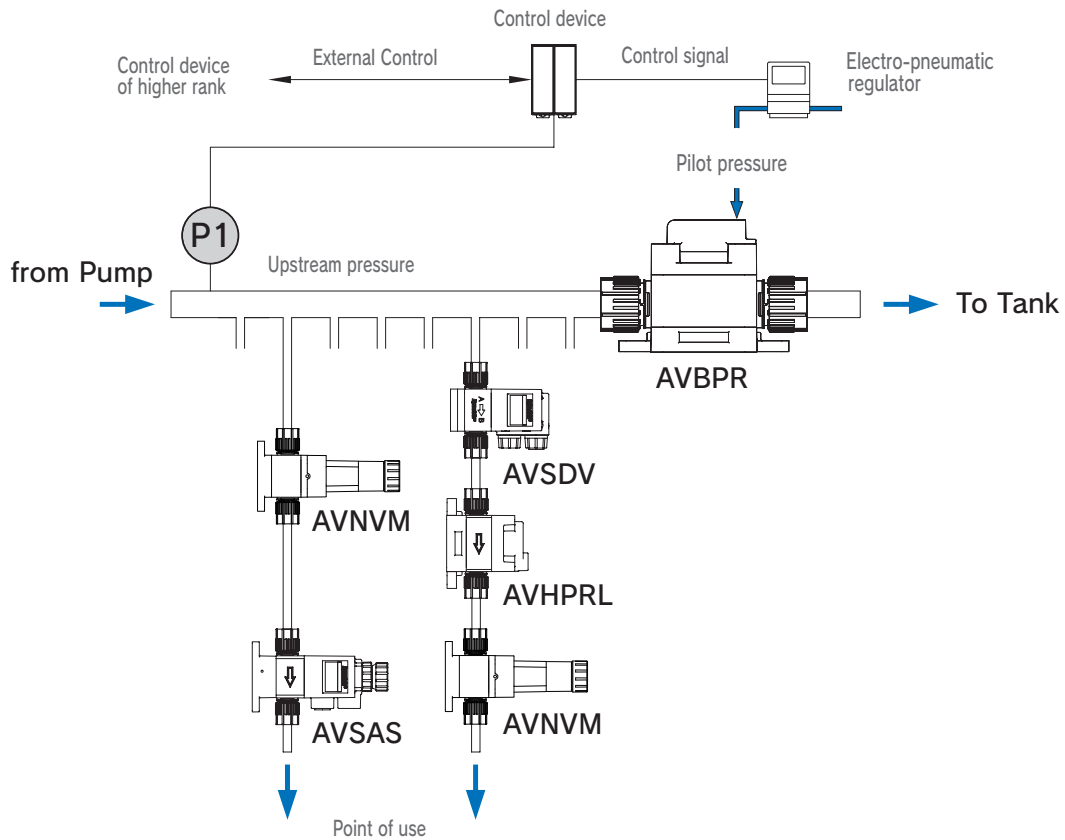


Connection tubing size of test: 19.05×15.88



※The data shown here is the experimental values and the reference values.

Example



- AVPV3
- AVPVM
- AVPSL
- AVSDV
- AVSDVM
- AVSDVT
- AVSAS
- AVMPV
- AVDIV
- AVNVM
- AVHPRL
- AVHPRL-M
- AVHPRS
- AVBPR
- AVCFV
- HDV12R
- HDVM
- AVQDV
- AVBVX
- AVPJX
- AVSIV
- AVFCS2
- AVFCN
- OTHER