

# HIGH PURITY F1 GOOSENECK FAUCET



## MATERIALS:

- Purad® UHP PVDF
- PolyPure® PPn

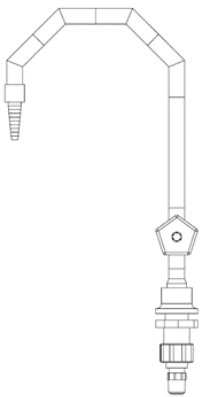
## OUTLET:

1/4" - 1/2" Universal Hose Barb

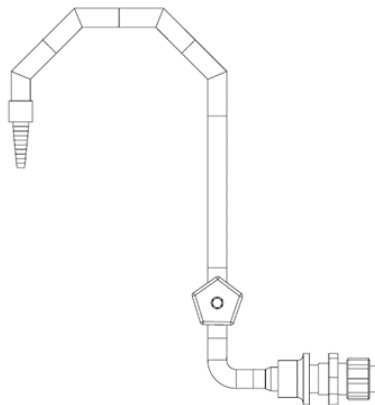
## GLOBE VALVE:

Quick-Closing

## MOUNTING STYLES:



Deck Mounted



Wall Mounted

## CONNECTION OPTIONS:

- Spigot end
- Union
- MNPT/FNPT
- Flare adapter

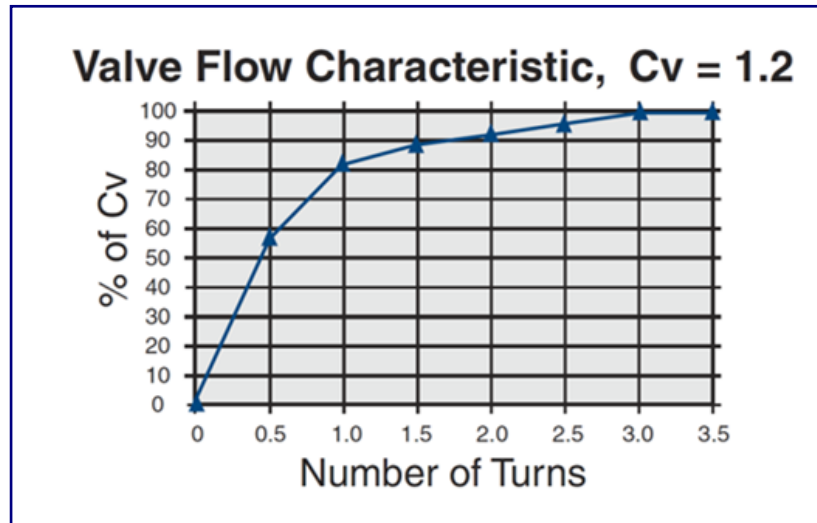
# HIGH PURITY F1 GOOSENECK FAUCET

## SAMPLE SPECIFICATION:

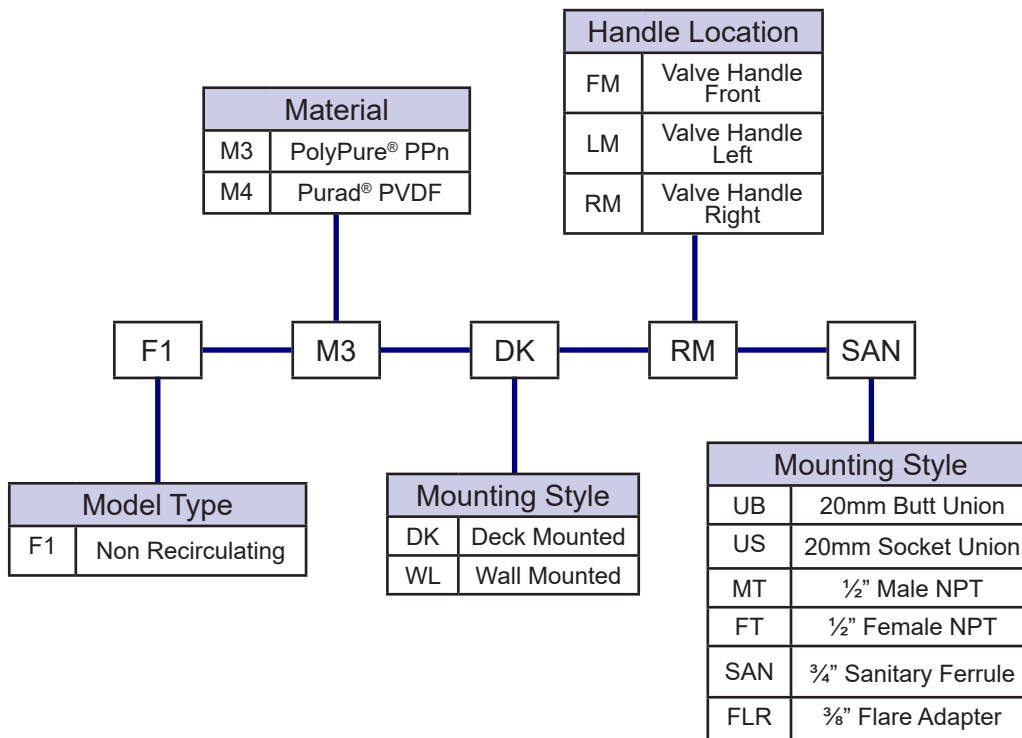
Non-recirculation gooseneck faucets shall be constructed of high purity Purad® PVDF or PolyPure® natural PP. Faucets shall be supplied with quick-opening globe valve. Mounting shall be deck or wall located. Gooseneck discharge shall be provided with universal 1/4" through 1/2" hose barb connection. Faucets shall be provided with union, NPT, sanitary, butt fusion connections.

Mounting: Recommended deck/wall mounting hole is 1-3/8" .

## FLOW CHARACTERISTICS:



## MODEL CONFIGURATOR:

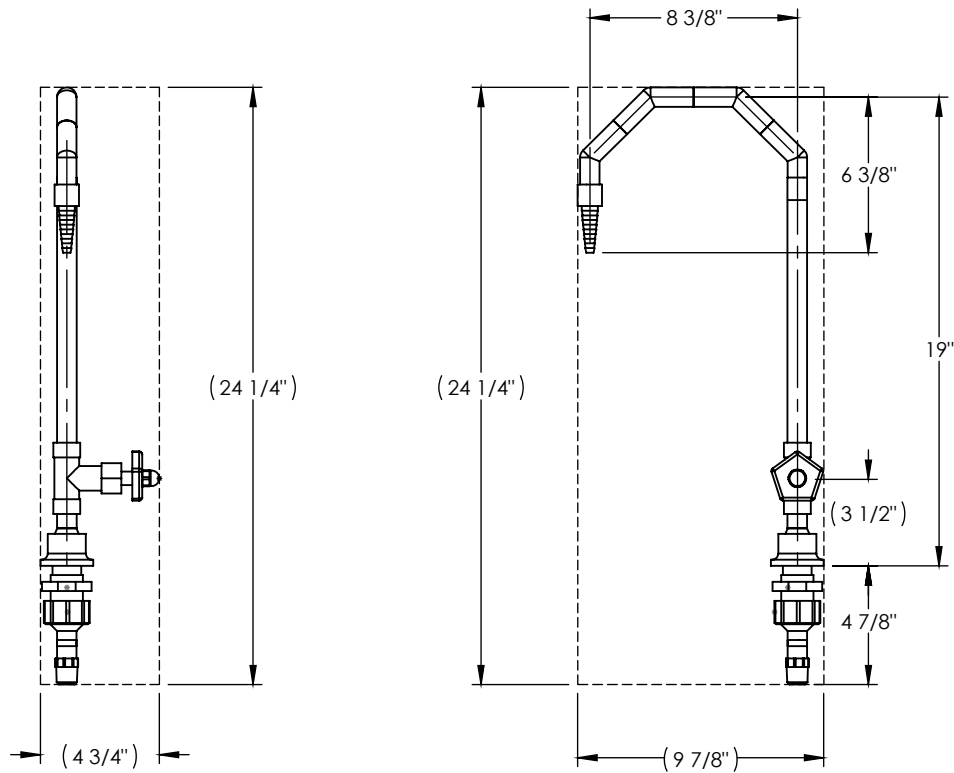


# HIGH PURITY F1 GOOSENECK FAUCET

## STANDARD ENVELOPE DIMENSIONS:

Please note: custom options are available. Some dimensions may vary depending on connection method.

### DECK MOUNT



### WALL MOUNT

