



655 Andover St. Lawrence, MA 01843 • Tel: 781-321-5409 • Fax: 800-426-7058
Internet: www.asahi-america.com • Email: asahi@asahi-america.com

To: Our Valued Distributors

From: Asahi/America Inc. – Valve Product Manager

Date: 3/1/2017

Re: Discontinuation of current Omni® & Electromni® and introduction of Omni® T-27 & Electromni® T-27

Effective immediately, Asahi/America, Inc. has discontinued the Omni® manual ball valve and the Electromni® electrically actuated ball valve in favor of the new models: Omni® T-27 and Electromni® T-27. The new valve design provides improved features and better actuation capabilities versus the previous design. A new ergonomic handle, double stem O-ring seals, single threaded and sealed end carrier, and full port ball opening highlight the new Omni® T-27 valve model features. Additionally, a molded ISO pad for actuation mounting will be factory added to the top of the manual Omni® T-27 equipping the valve with an ISO 5211 bolt pattern for Electromni® T-27 actuation mounting.

Specification:

- Products: Omni® T-27 Ball Valves & Electromni® T-27 electrically actuated ball valves
- Sizes/Models: 3/8" through 2" Socket and Threaded manual ball valves, 3/8" – 2" Socket and Threaded electrically actuated ball valves
- Materials: PVC and CPVC bodies with EPDM O-ring seals and PTFE seats

Interchangeability:

- There is no interchangeability with old type Omni® or Electromni®

Inventory:

- Any remaining Omni® and Electromni® inventory will be sold on a first come first served basis until inventory is depleted.

Omni® manual ball valve Part Numbers affected:

Outgoing model Omni®:

- PVC/Socket 1070003 through 1070020
- PVC/Threaded 1071003 through 1071020
- CPVC/Socket 1072003 through 1072020
- CPVC/Threaded 1073003 through 1073020

NEW model Omni® T-27:

- PVC/Socket 161070003 through 161070020
- PVC/Threaded 161071003 through 161071020
- CPVC/Socket 161072003 through 161072020
- CPVC/Threaded 161073003 through 161073020



Another
Corrosion
Problem
Solved.™

www.asahi-america.com



655 Andover St. Lawrence, MA 01843 • Tel: 781-321-5409 • Fax: 800-426-7058
Internet: www.asahi-america.com • Email: asahi@asahi-america.com

Electromni[®] actuated ball valve Part Numbers affected:

Outgoing model Electromni[®]:

- PVC/Socket 2015003 through 2015020
- PVC/Threaded 2016003 through 2016020
- CPVC/Socket 2017003 through 2017020
- CPVC/Threaded 2018003 through 2018020

NEW model Electromni[®] T-27:

- PVC/Socket 172015003 through 172015020
- PVC/Threaded 172016003 through 172016020
- CPVC/Socket 172017003 through 172017020
- CPVC/Threaded 172018003 through 172018020

Parts Availability:

- There have never been any replacement parts offered for the Omni[®] Ball valves or Electromni[®] actuated ball valves.



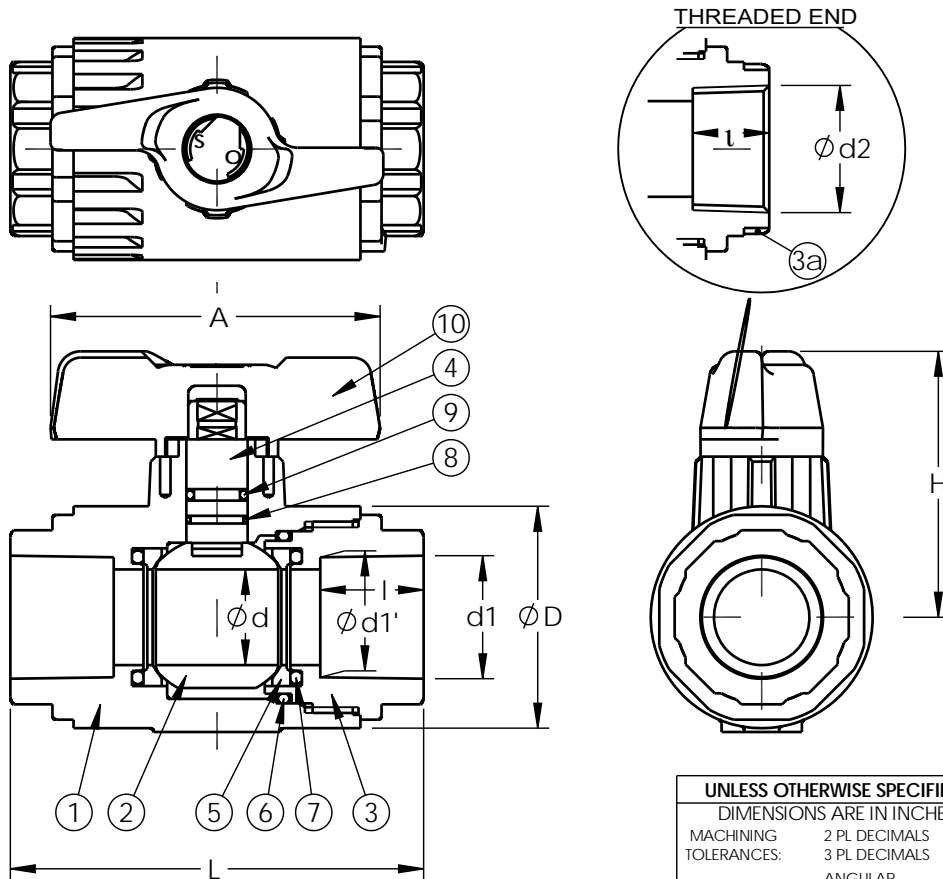
Another
Corrosion
Problem
Solved.[™]

www.asahi-america.com

NOMINAL SIZE		SOCKET END (ASTM SCH40)			THREADED END		L	d	A	D	H
		d1	d1'	t	d2	t					
3/8"	13mm	0.687	0.671	0.59	3/8-18 NPT	0.59	2.72	0.59	2.95	1.57	2.07
1/2"	15mm	0.848	0.836	0.69	1/2-14 NPT	0.59	3.11	0.59	2.95	1.57	2.07
3/4"	20mm	1.058	1.046	0.72	3/4-14 NPT	0.67	3.70	0.79	3.43	1.93	2.46
1"	25mm	1.325	1.310	0.87	1- 11-1/2 NPT	0.79	4.25	0.98	3.43	2.28	2.74
1-1/4"	32mm	1.670	1.655	0.94	1 1/4 - 11-1/2	0.87	4.76	1.22	4.13	2.68	3.21
1-1/2"	40mm	1.912	1.894	1.09	1 1/2 - 11-1/2	0.98	5.75	1.57	5.31	3.25	3.78
2"	50mm	2.387	2.369	1.16	2 - 11-1/2	1.10	6.86	2.01	5.31	4.09	4.23

REV	DATE	DESCRIPTION	BY	FROM
A	11/22/16	FIRST ISSUE	CW	MW

NOTE: The shape and appearance of assembly differ a little with nominal size and material compared to this drawing.



No.	Description	Qty.	Material	Remarks
1	BODY	1		
2	BALL	1	□ PVC	
3	END CONNECTOR	1	□ C-PVC	
4	STEM	1		
5	SEAT	2	PTFE	
6	O-RING (B)	1		
7	O-RING (C)	2	□ EPDM	
8	O-RING (D)	1	□ FKM	
9	O-RING (E)	1		
10	HANDLE	1	ABS	
3a	RING	2	SS(SUS304)	USED FOR C-PVC BODY THREAD: 3/8"-1"

UNLESS OTHERWISE SPECIFIED	
DIMENSIONS ARE IN INCHES	
MACHINING	2 PL DECIMALS ± .01
TOLERANCES:	3 PL DECIMALS ± .005
	ANGULAR ± 1/2°
	FRACTIONAL ± 1/64
FABRICATION	1/2" - 8" ± 1/4
TOLERANCES:	10" AND UP ± 1/2
	ANGULAR ± 1.0°
WELD TYPE:	N/A
MATERIAL:	AS NOTED
FINISH:	N/A

THIS DRAWING AND ALL INFORMATION HEREIN IS THE PROPERTY OF ASAHI/AMERICA. ANY COPYING, REPRODUCTION OR UNAUTHORIZED USE IS FORBIDDEN WITHOUT WRITTEN CONSENT.	
NAME	DATE
DR C. Williams	11/22/16
REV	
APPR D. Hurley	11/29/16
PRODUCT: VALVE & ACT	
WO#/SO#	

ASAHI/AMERICA
ISO 9001 CERTIFIED
655 ANDOVER STREET, LAWRENCE, MA

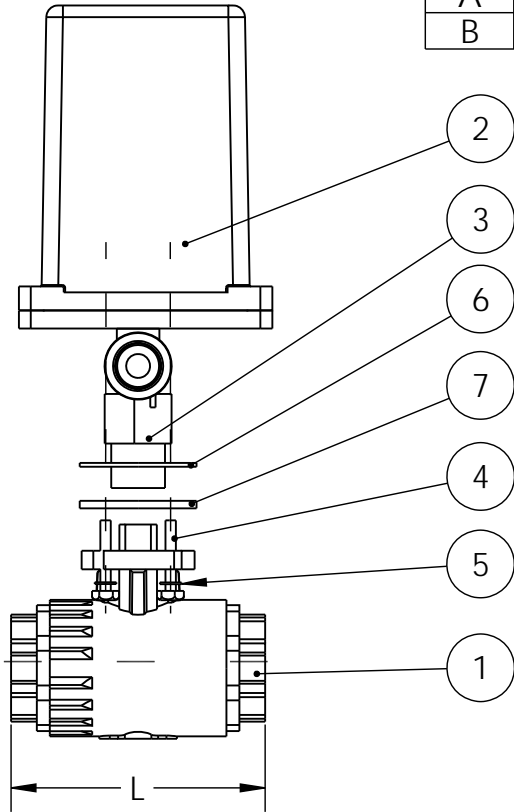
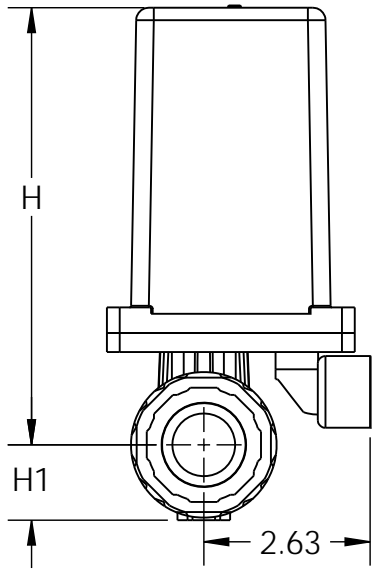
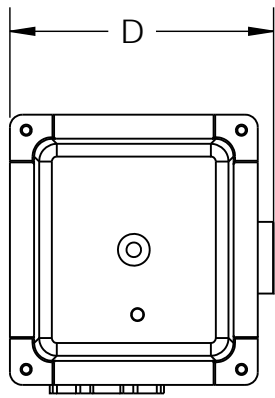


**3/8" - 2" OMNI T27 COMPACT
BALL VALVE DIMENSIONS**

JDE PART # 0062BVT27

SIZE A	DWG # 0062BVT27	REVISION A
SCALE N/A	SHEET 1 OF 1	

REV	DATE	DESCRIPTION	DR	FROM
A	3/8/10	FIRST ISSUE	CW	DH
B	11/29/16	+RING & GASKET	CW	MW



SIZE	H1	H	L	D
1/2"	.81	6.68	3.11	4.14
3/4"	1.00	6.96	3.70	4.14
1"	1.18	7.23	4.25	4.14
1-1/4"	1.38	7.59	4.76	4.14
1-1/2"	1.66	7.92	5.75	4.14
2"	2.09	8.37	6.86	4.37

*PVC/CPVC/SOCKET/THREAD


ITEM	DESCRIPTION	MATERIAL	QTY
1	OMNI T27 BV	PVC, CPVC	1
2	ELECTROMNI ACTUATOR	ABS & PVC	1
3	COUPLING	303 STAINLESS STEEL	1
4	BOLT	STAINLESS STEEL	4
5	FLAT WASHER	STAINLESS STEEL	4
6	GASKET	NITRILE	1
7	SEALING RING	PP BLACK	1

NOTE: The shape and appearance of assembly differ a little with nominal size

1 - ELECTROMNI (SERIES 83) ACTUATOR IS AVAILABLE IN 110 VAC, 220 VAC, 24 VAC, 12 VAC, 24 VDC, AND 12 VDC MODELS

UNLESS OTHERWISE SPECIFIED DIMENSIONS ARE IN INCHES	
MACHINING	2 PL DECIMALS ± .01
TOLERANCES:	3 PL DECIMALS ± .005
	ANGULAR ± 1/2°
	FRACTIONAL ± 1/64
FABRICATION	1/2" - 8" ± 1/4
TOLERANCES:	10" AND UP ± 1/2
	ANGULAR ± 1.0°
WELD TYPE:	N/A
MATERIAL:	AS NOTED
FINISH:	125µ"

THIS DRAWING AND ALL INFORMATION HEREIN IS THE PROPERTY OF ASAHI/AMERICA. ANY COPYING, REPRODUCTION OR UNAUTHORIZED USE IS FORBIDDEN WITHOUT WRITTEN CONSENT.		
DR	C. Williams	11/29/16
REV		
APPR	M. Willen	02/14/17
PRODUCT:	VALVE & ACT	
WO#/SO#		

ASAHI/AMERICA ISO 9001 CERTIFIED 655 ANDOVER STREET, LAWRENCE, MA		
1/2" - 2" OMNI T-27 BV to S83		
JDE PART # 0119BV83T27		
SIZE A	DWG # 0119BV83T27	REVISION B
SCALE N/A	SHEET <u>1</u> OF <u>1</u>	