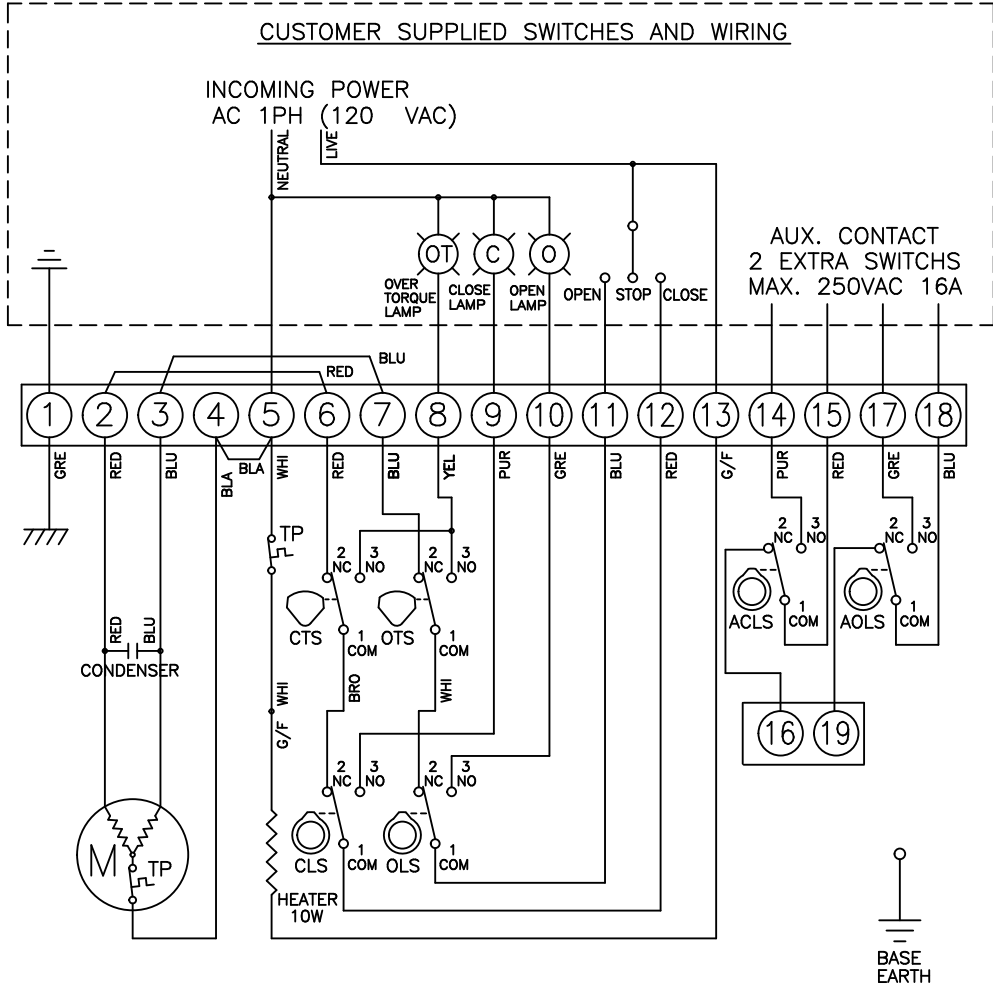


REV	DATE	DESCRIPTION	BY	APP'D
A	10/17/11	FIRST ISSUE	JH	KB



UNLESS OTHERWISE SPECIFIED		
DIMENSIONS ARE IN INCHES		
MACHINING TOLERANCES:	2 PL DECIMALS	± .01
	3 PL DECIMALS	± .005
	ANGULAR	± 1/2°
	FRACTIONAL	± 1/64
FABRICATION TOLERANCES:	1/2" - 8"	± 1/4
	10" AND UP	± 1/2
	ANGULAR	± 1.0°
MATERIAL:		
FINISH:	125μ"	

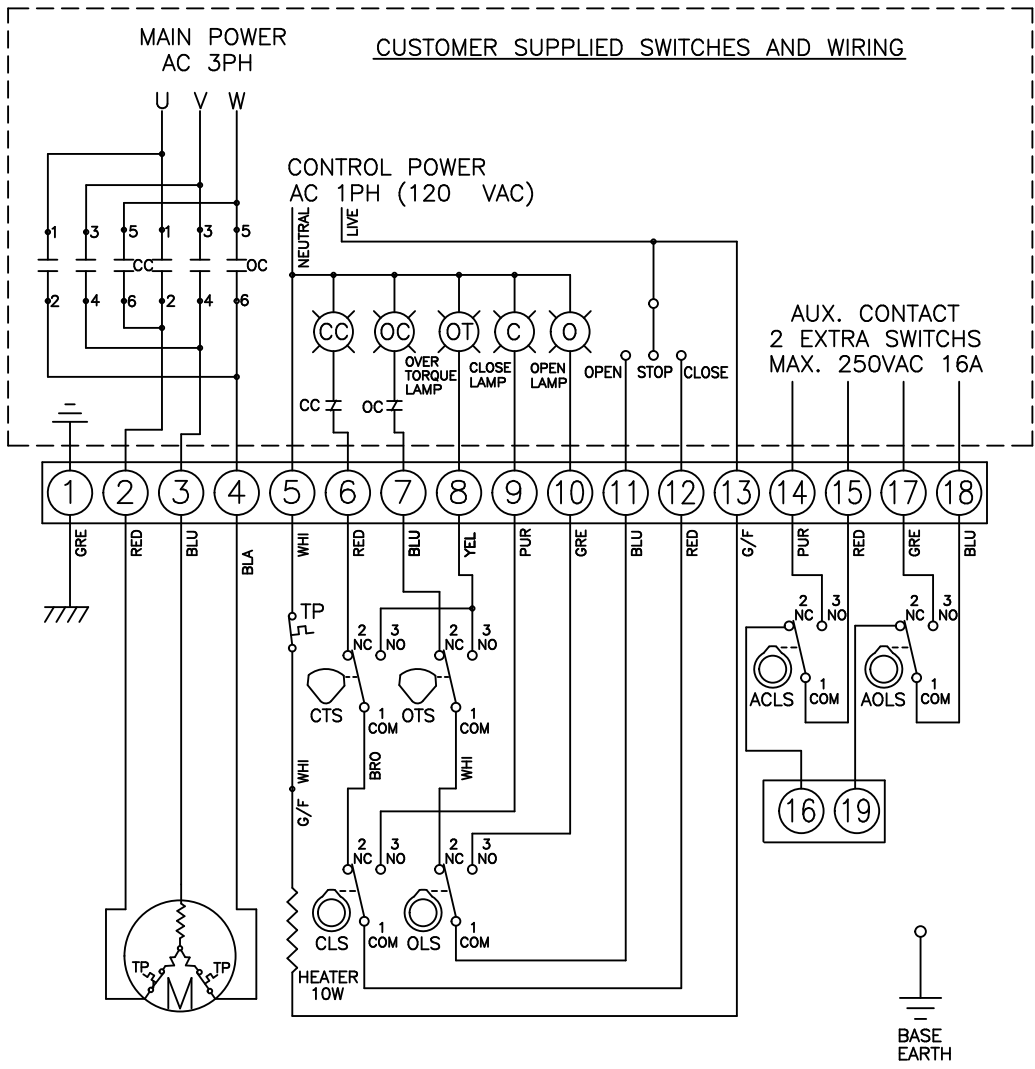
THIS DRAWING AND ALL INFORMATION HEREIN IS THE PROPERTY OF ASAHI/AMERICA. ANY COPYING, REPRODUCTION OR UNAUTHORIZED USE IS FORBIDDEN WITHOUT WRITTEN CONSENT.		
NAME	DATE	
DR	J. HUGHES	10/17/11
APPD	K. BLYSTONE	10/17/11
PROD		
PRODUCT:		
WD# / CO#		

ASAHI/AMERICA
ISO 9001 CERTIFIED
35 GREEN STREET, P.O. BOX 653, MALDEN, MA.

SERIES 10 SINGLE PHASE WIRING


SIZE	A	DWG. NO.	M00EL5059	REV	A
SCALE	1:8	SHEET	1	OF	1

REV	DATE	DESCRIPTION	BY	APP'D
A	10/17/11	FIRST ISSUE	JH	KB



UNLESS OTHERWISE SPECIFIED		
DIMENSIONS ARE IN INCHES		
MACHINING TOLERANCES:	2 PL DECIMALS	± .01
	3 PL DECIMALS	± .005
	ANGULAR	± 1/2°
	FRACTIONAL	± 1/64
FABRICATION TOLERANCES:	1/2" - 8"	± 1/4
	10" AND UP	± 1/2
	ANGULAR	± 1.0°
MATERIAL:		
FINISH:	125μ"	

THIS DRAWING AND ALL INFORMATION HEREDIN IS THE PROPERTY OF ASAHI/AMERICA. ANY COPYING, REPRODUCTION OR UNAUTHORIZED USE IS FORBIDDEN WITHOUT WRITTEN CONSENT.		
NAME	DATE	
DR	J. HUGHES	10/17/11
APPD	K. BLYSTONE	10/17/11
PROD		
PRODUCT:		
WD# / CO#		

ASAHI/AMERICA ISO 9001 CERTIFIED 35 GREEN STREET, P.O. BOX 653, MALDEN, MA.			
SERIES 10 THREE PHASE WIRING			
SIZE	A	DWG. NO.	M00EL5060
REV	A		
SCALE	1:8	SHEET	1 of 1