

V86/V186 HIGH PURITY BACK PRESSURE REGULATOR



TECHNICAL SPECIFICATION:

Size range:	1/2" - 2" (20 mm - 63 mm)
Body Material:	Purad® UHP PVDF; PP-Pure® pigmented polypropylene; PolyPure® natural polypropylene
Diaphragm:	EPDM; PTFE with FKM backing

FEATURES:

- No wetted metal components
- May be installed in any position
- Setpoint may be adjusted while valve is under pressure
- May be installed on a tee to function as a pressure relief valve

OPERATING PARAMETERS:

Max Pressure: 7 - 150psi (1/2" - 2")

Temperature: PVDF: -4° F to 248° F
PP: -4° F to 176° F

Minimum Pressure Drop: 14psi

- Used where a constant back pressure is required for operating systems
- When installed as a bypass, it can also be used as a relief valve for reducing pressure peaks

PURAD® SAMPLE SPECIFICATION:

All Purad® back pressure regulating valves shall be model V186 made from virgin, unpigmented PVDF resin, shall have PTFE or EPDM diaphragms, and shall be cleaned and double bagged. Valves shall be pressure rated to 150psi at 68° F. Valves shall have no wetted metal components.

PP-PURE® SAMPLE SPECIFICATION:

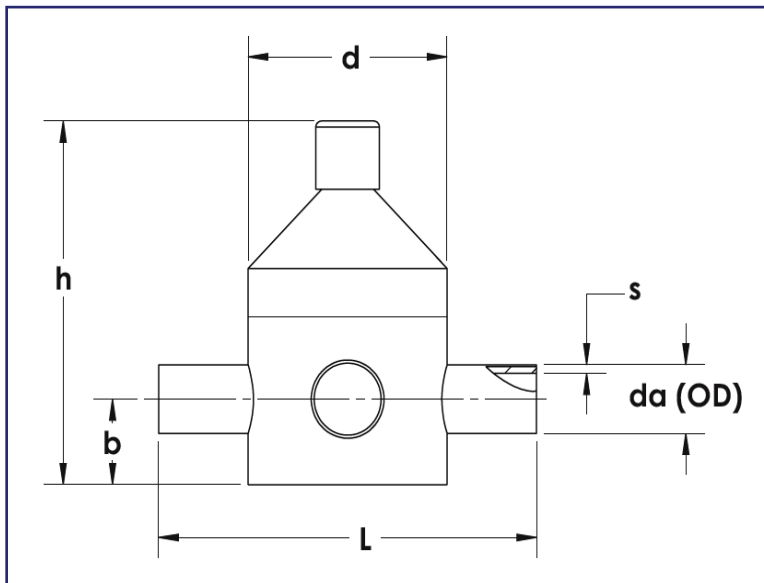
All PP-Pure® back pressure regulating valves shall be model V186 made from pigmented polypropylene resin, shall have PTFE or EPDM diaphragms, and shall be cleaned and double bagged. Valves shall be pressure rated to 150psi at 68° F. Valves shall have no wetted metal components.

POLYPURE® SAMPLE SPECIFICATION:

All PolyPure® back pressure regulating valves shall be model V86 made from natural, unpigmented polypropylene resin, shall have PTFE or EPDM diaphragms, and shall be cleaned and bagged. Valves shall be pressure rated to 150psi at 68° F. Valves shall have no wetted metal components.

V86/V186 HIGH PURITY BACK PRESSURE REGULATOR

DIMENSIONS:



Size		Model			s (in)		L (in)	d (in)	h (in)	b (in)
inch	mm	Purad®	PP-Pure®	PolyPure®	PVDF	PP				
1/2	20	V186	V186	V86	0.075	0.075	6.22	3.27	5.39	0.79
3/4	25	V186	V186	V86	0.075	0.091	6.22	3.27	5.39	0.79
1	32	V186	V186	V86	0.094	0.114	7.80	4.41	7.83	1.06
1-1/4	40	V186	V186	-	0.094	0.146	7.95	4.41	7.83	1.06
1-1/2	50	V186	V186	V86	0.118	0.181	10.08	6.50	11.42	1.69
2	63	V186	V186	V86	0.118	0.228	10.08	6.50	11.42	1.69